

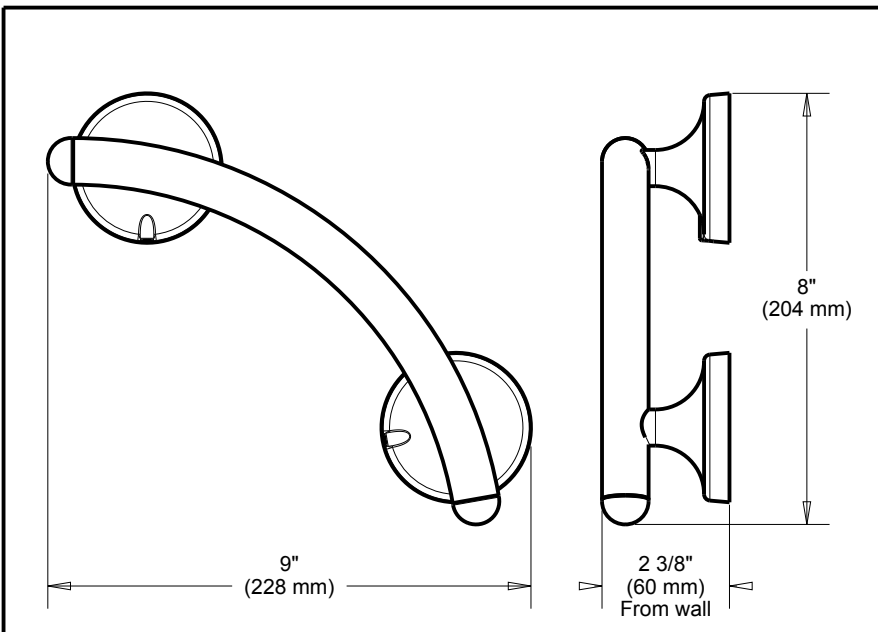
**DELTA**<sup>®</sup>

**ACCESSORIES**

- Traditional™ Bath Safety Collection
- 9" Assist Bar

Submitted Model No.: \_\_\_\_\_

Specific Features: \_\_\_\_\_



**STANDARD SPECIFICATIONS:**

- Wood blocking is preferable behind all wall surfaces. If wood blocking is not available, the supplied fasteners are recommended.
- Mounting hardware and mounting template included with product.
- 7/8" diameter assist bar.
- Maximum 300 lbs. as an assist bar on indicated surface.

**WARRANTY**

- Lifetime Faucet and Finish Limited Warranty to the original consumer purchaser to be free from defects in material and workmanship.
- 5 Year Limited Warranty for usage in all industrial, commercial and business applications.