


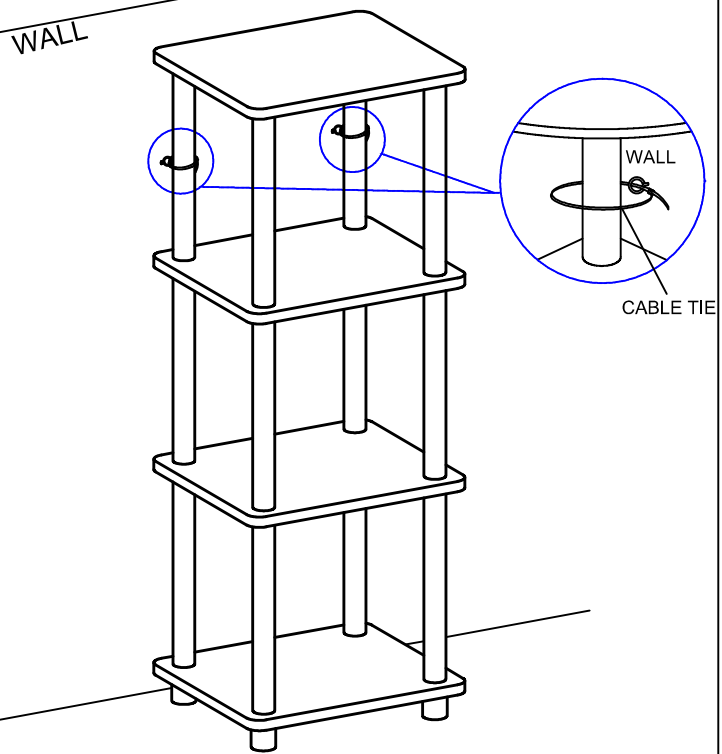
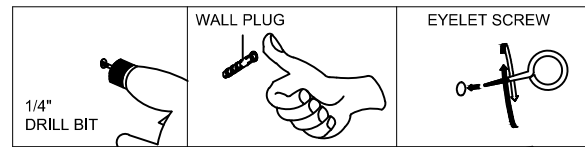


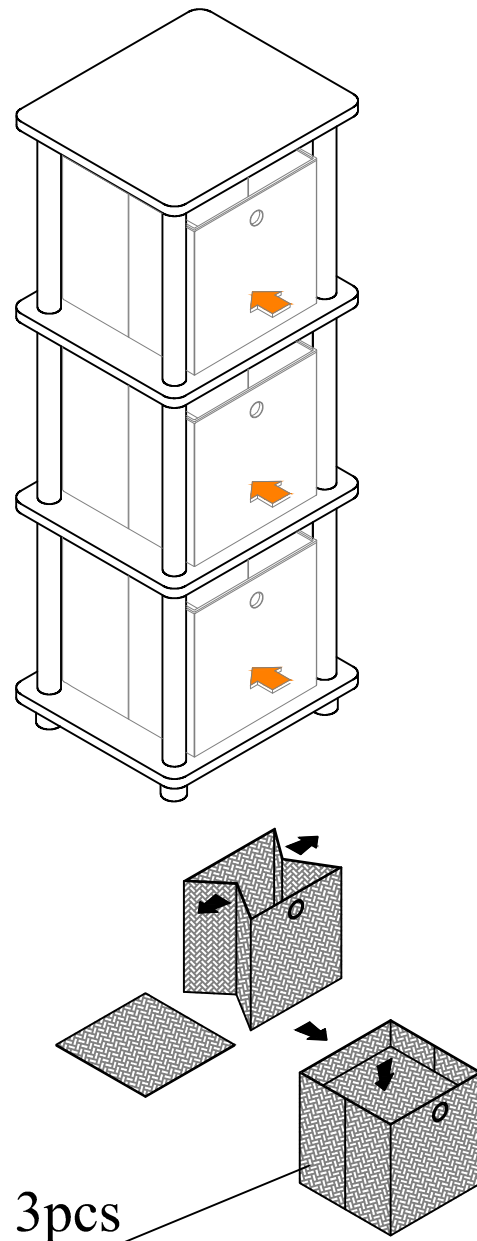
STEP 3

PLEASE FOLLOW BELOW INSTRUCTION TO PREVENT PRODUCT TIP OVER.

HARDWARE	PART LIST	QTY
 WALL PLUG	 EYELET SCREW	 CABLE TIE
2 SETS		

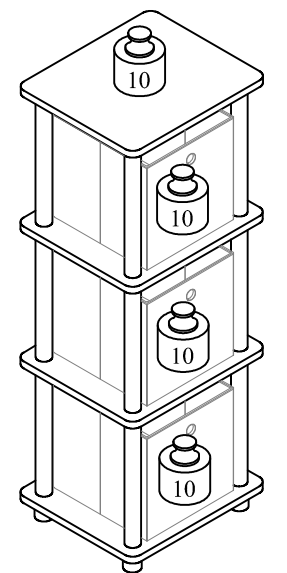


STEP 4



3 x 3pcs

Recommended Maximum Weight



*Unit in Pound(lbs.)

WARNING:

- >This unit has been designed to support the maximum loads shown. Exceeding these load limits could cause sagging, instability, product collapse, and/or serious injury.
- >DO NOT allow children to climb on unit.
- > Put heavier items on lower shelves.




Assembly Instruction

Furinno Turn-N-Tube 3 Tier Storage Shelf

MODEL : 17052

00:15

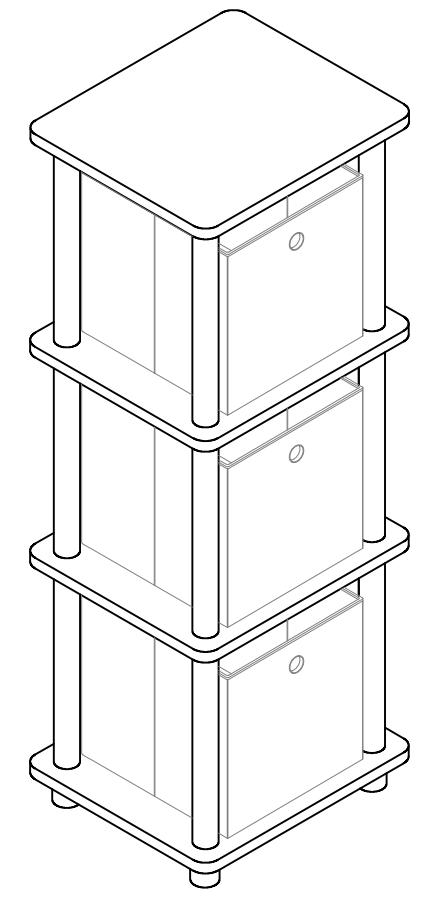
Approx. 15 minutes



Recomm. 1 Person



No Tools Required





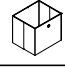
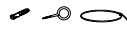
Customer Support

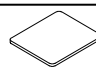

NEED HELP? For replacement requests or product inquiries, please contact our Customer Service Team by emailing us at support@furinno.com. Thank you for selecting Furinno!

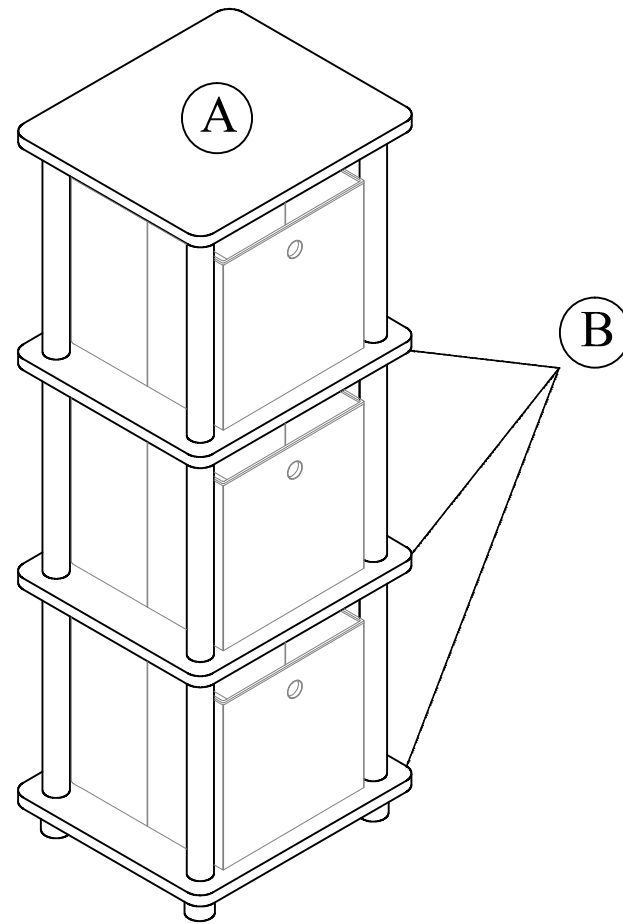
www.furinno.com



HARDWARE & PARTS LIST

NO	HARDWARE LIST	QTY
1	LONG ROUND POLE 	12pcs
2	ROUND LEG 	4pcs
3	NON - WOVEN BIN 	3pcs
4	WALL MOUNTING SET 	2sets

NO	PARTS LIST	QTY
A	TOP PANEL 	1pc
B	SHELF PANEL 	3pcs



USEFUL HINTS BEFORE YOU START:

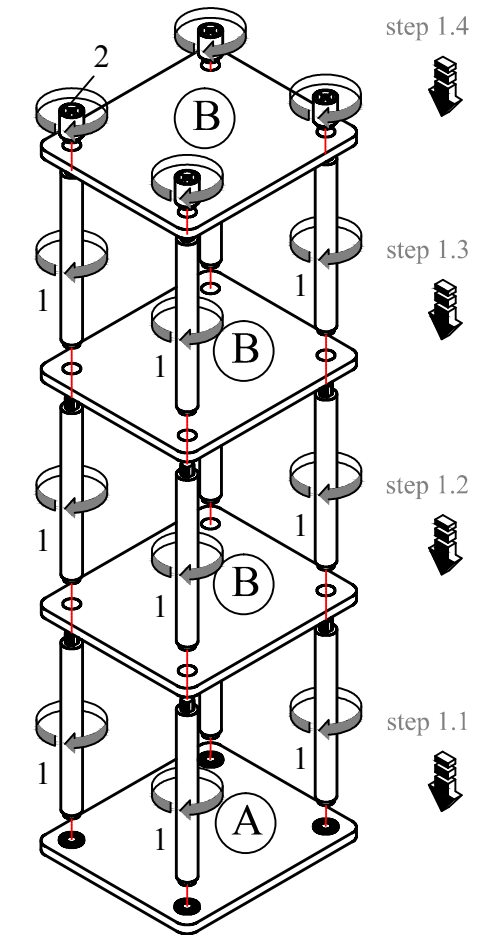
1. Read each step carefully before starting.
2. It is important that each step is performed in correct order to avoid difficulties.
3. Identify, sort and count the parts before assembly.
4. Assemble your furniture on packaging cardboard to prevent scratch or damage.
5. Clean the product with mild cleanser using soft damped cloth. Do not use harsh or abrasive cleanser.
6. Using incompatible hardware might cause damage to product.

ASSEMBLY INSTRUCTIONS

BEFORE YOU BEGIN, PLEASE READ ASSEMBLY INSTRUCTION CAREFULLY, FOLLOW THEM STEP BY STEP.

STEP 1

1



STEP 2

2

