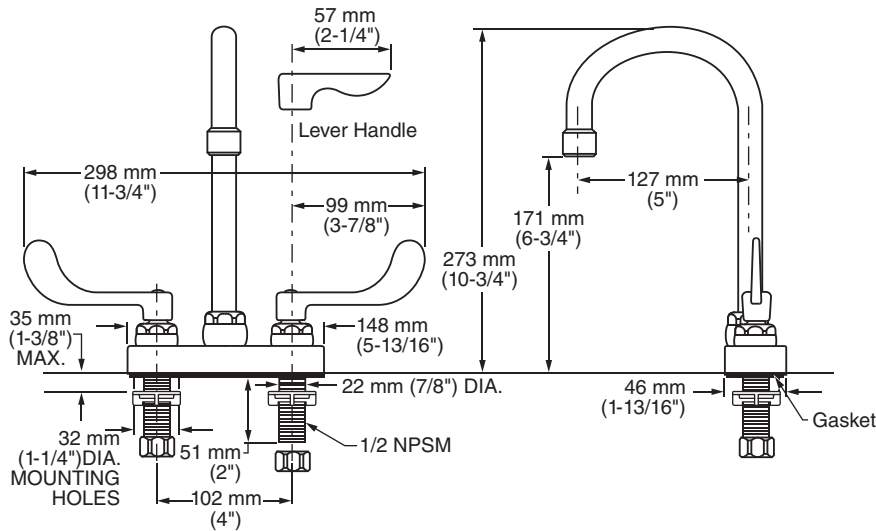




7500.170 Shown

**MODEL NUMBER:\***

- ❑ **7500.170 Centerset Lavatory**  
 1.5 gpm Pressure Compensating Aerator. Rigid/swivel gooseneck spout. Vandal-Resistant Wrist Blade handles. Less drain and pop-up hole.
- ❑ **7502.170 Centerset Lavatory**  
 1.5 gpm Pressure Compensating Aerator. Rigid/swivel gooseneck spout. Vandal-Resistant Wrist Blade handles. Grid strainer drain.
- ❑ **7500.140 Centerset Lavatory**  
 1.5 gpm Pressure Compensating Aerator. Rigid/swivel gooseneck spout. Vandal-Resistant Lever handles. Less drain and pop-up hole.
- ❑ **7502.140 Centerset Lavatory**  
 1.5 gpm Pressure Compensating Aerator. Rigid/swivel gooseneck spout. Vandal-Resistant Lever handles. Grid strainer drain.



**GENERAL DESCRIPTION:**

Durable cast brass construction. 1/2" male threaded inlet shanks with shank nuts and brass coupling nuts. 1/4 turn ceramic disc valve cartridges. Field-convertible rigid/swivel gooseneck spout. Choice of Vandal-Resistant Wrist Blade or Lever handles with blue & red color indexes. All brass drain body with 1 1/4" (32mm) tailpiece (on applicable models). 1.5 gpm/5.7L/min. maximum flow rate.

**PRODUCT FEATURES:**

- Pressure Compensating Aerator:** Provides a constant water flow of 1.5 gpm throughout the pressure range.
- Solid Brass Construction:** Durable - Excellent in high use applications. Ideal for prolonged contact with water.
- Ceramic Disc Valve Cartridge:** Assures a lifetime of drip-free performance.
- Field-Convertible Rigid/Swivel Spout:** Easily adjusted in the field.
- Lead-Free:** Faucet contains  $\leq 0.25\%$  total lead content by weighted average.

**SUGGESTED SPECIFICATION:**

4" centerset lavatory faucet shall be cast brass construction with shank nuts and brass coupling nuts. Shall feature water-conserving 1.5 gpm/5.7L/min. pressure compensating aerator. Vandal-Resistant handles. Shall also feature 1/4 turn washerless ceramic disc valve cartridges. Fitting shall be American Standard Model # 750\_1\_0.002.

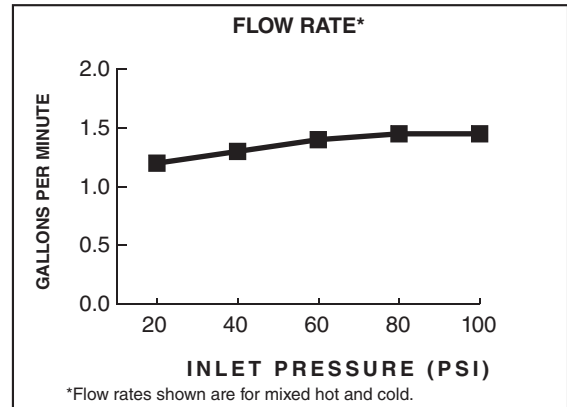


**MONTERREY®**  
**TWO-HANDLE CENTERSET LAVATORY FAUCET**  
**RIGID/SWIVEL GOOSENECK SPOUT WITH 5" REACH**

**CODES AND STANDARDS**

These products meet or exceed the following codes and standards:

- ASME A112.18.1
- CSA B 125
- NSF 372



| Product Number | Description   | Finish          |
|----------------|---|-----------------|
|                |   | Polished Chrome |
|                |   | 002             |
| 7500.170       | Centerset Lavatory with rigid/swivel gooseneck spout. 1.5 gpm/5.7L/min pressure compensating aerator. Vandal-Resistant Wrist Blade Handles. Less drain and pop-up hole. |                 |
| 7502.170       | Centerset Lavatory with rigid/swivel gooseneck spout. 1.5 gpm/5.7L/min pressure compensating aerator. Vandal-Resistant Wrist Blade Handles. Grid strainer drain.        |                 |
| 7500.140       | Centerset Lavatory with rigid/swivel gooseneck spout. 1.5 gpm/5.7L/min pressure compensating aerator. Vandal-Resistant Lever Handles. Less drain and pop-up hole.       |                 |
| 7502.140       | Centerset Lavatory with rigid/swivel gooseneck spout. 1.5 gpm/5.7L/min pressure compensating aerator. Vandal-Resistant Lever Handles. Grid strainer drain.              |                 |

**MEETS THE AMERICANS WITH DISABILITIES ACT GUIDELINES AND ANSI A117.1 REQUIREMENTS FOR ACCESSIBLE AND USABLE BUILDING FACILITIES-CHECK LOCAL CODES**

| <b>Other Aerators Available:</b> |  |
|----------------------------------|--|
| Part Suffix                      | Description  |
| LV15                             | 1.5 gpm (5.7 Lpm) PCA Vandal-Resistant Non-Aerated Laminar Flow Outlet |
| V15                              | 1.5 gpm (5.7 Lpm) PCA Vandal-Resistant Aerator                         |
| LV10                             | 1.0 gpm (3.8 Lpm) PCA Vandal-Resistant Non-Aerated Laminar Flow Outlet |
| V10                              | 1.0 gpm (3.8 Lpm) PCA Vandal-Resistant Aerator                         |
| V05**                            | 0.5 gpm (1.9 Lpm) PCA Vandal-Resistant Multi-Laminar Spray             |
| V035**                           | 0.35 gpm (1.3 Lpm) PCA Vandal-Resistant Multi-Laminar Spray            |

\*PCA - Pressure Compensating  
 \*\*Meets Cal Green Code