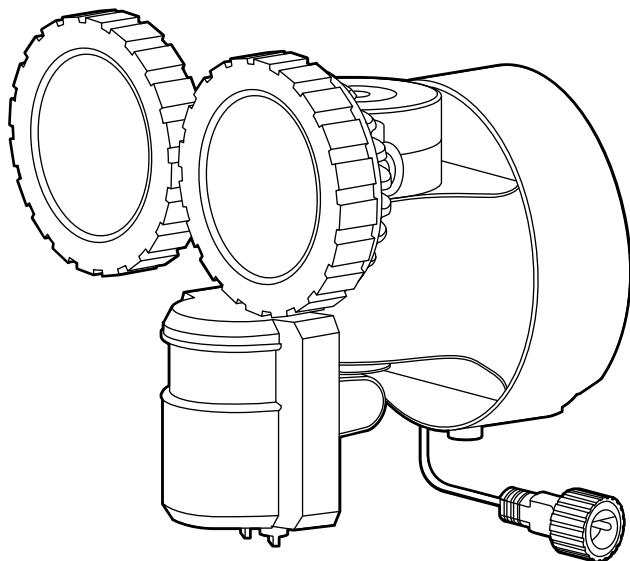


DEFIANT®

Item #1002638550
Model #DFI-0452-WH

USE AND CARE GUIDE

MOTION SOLAR SECURITY LIGHT



Questions, problems, missing parts? Before returning to the store,
call Defiant Customer Service
8 a.m. - 7 p.m., EST, Monday-Friday, 9 a.m. - 6 p.m., EST, Saturday

1-866-308-3976

HOMEDEPOT.COM

THANK YOU

We appreciate the trust and confidence you have placed in Defiant through the purchase of this motion security light. We strive to continually create quality products designed to enhance your home. Visit us online to see our full line of products available for your home improvement needs. Thank you for choosing Defiant!

Table of Contents

Table of Contents	2	Operation	9
Safety Information.....	2	Maintenance	12
Warranty.....	2	Care and Cleaning	12
Pre-Installation	3	Troubleshooting	12
Installation	6		

Safety Information

PRECAUTIONS

Please read and understand this entire manual before attempting to assemble, install, or operate this light fixture.

- This light fixture should be installed outdoors to a wall or eave.
- The light fixture should be mounted approximately 8 ft. (2.4 m) above the ground.
- Do not cut the solar panel wire. Discontinue use if the wire becomes frayed or broken.
- Do not immerse components in liquid.
- Do not use any other charging device other than the single solar charging panel provided with this light. Doing so may result in injury or damage to the light and voids any warranty.

- Position the cord so that it is securely fastened and will not result in a hazard (such as tripping).
- The maximum extension cord length to use with this product is 60 ft.

A 30 ft. extension cord is available for this product at HOMEDEPOT.COM.



WARNING: To prevent possible **SERIOUS INJURY** or **DEATH**, never allow small children near batteries. If a battery is swallowed, immediately notify a doctor.



WARNING: **DO NOT DISPOSE OF BATTERIES IN FIRE.** BATTERIES MAY EXPLODE OR LEAK.

NOTICE: When replacing batteries, recycle used batteries or dispose of them in accordance with local regulations.

Warranty

1-YEAR LIMITED WARRANTY

WHAT IS COVERED

This product is guaranteed to be free of factory defective parts and workmanship for a period of 1 year from date of purchase. Purchase receipt is required for all warranty claims.

WHAT IS NOT COVERED

This guarantee does not include repair service, adjustment and calibration due to misuse, abuse or negligence. Unauthorized service or modification of the product or of any furnished component will void this warranty in its entirety. This warranty does not include reimbursement for inconvenience, installation, setup time, loss of use, unauthorized service, or return shipping charges. This warranty is not extended to other equipment and components that a customer uses in conjunction with this product.

No service parts available for this product.

Contact the Customer Service Team at 1-866-308-3976 or visit www.HomeDepot.com.

Pre-Installation

PLANNING INSTALLATION

Before installing the light fixture, ensure that all parts are present. Compare parts with the Hardware Included and Package Contents sections. If any part is missing or damaged, do not attempt to assemble, install, or operate this light fixture.

Estimated installation time: 30 minutes

PRODUCT DESCRIPTION

This light operates from a battery charged from a solar panel. If the Lithium Ion battery voltage runs down to 3.6V, the light will automatically switch to ECO mode and dim down to reserve battery for a longer run time. When the solar panel has recharged the Lithium battery and voltage above 3.7V, the light will automatically switch back to AUTO mode, and normal brightness.

INITIAL BATTERY CHARGE

IMPORTANT: Clouds, rain, snow, and other weather conditions may not allow the solar panel to completely recharge the battery. Other obstructions such as buildings or trees may block the sun as well.

When installing the solar panel, make sure it is aimed as described below with a minimum amount of obstructions. Please mount the panel facing toward the southern sky. An extended solar panel cord is available at Homedepot.com.

- PRIOR TO USE, the battery will require 2 to 3 days of full, direct sunlight to completely charge with the switch in the OFF position. Connect the solar panel cord plug with the connector extending from the bottom of the light housing. If possible, aim the solar panel toward the South and tilt it approximately 50° from horizontal. If the solar panel cannot be aimed toward the South, then tilt the panel approximately 30°. Another option is to add an extension cord (excluded in the package) available at Homedepot.com.
- Actual operating time will vary depending upon how frequently the light is turned on by the motion sensor.
- Solar lighting is not designed to equal standard 120V lighting. The amount of light output is reduced to allow the sun time to fully recharge the battery between lighting cycles.
- Solar collection is only effective in direct sunlight. Every hour the light is on requires a minimum of 6 hours of sunlight charging.

MOUNTING LOCATION

The most important thing to remember for the operation of your solar powered motion sensing light is that it works from the power received from direct sunlight. The more direct sunlight the solar panel receives in a day, the longer the light will operate.

SOLAR LIGHT FIXTURE

The main unit contains the LEDs, a motion sensor, and a rechargeable Lithium battery. When deciding where to mount this unit, keep in mind that the motion sensor that activates the light has a “field of vision” of 50 ft. (15 m) in front of the light and about 180° detection angle at a surrounding air temperature of 77°F (25°C).

SOLAR PANEL

The solar panel converts the sun’s energy into electricity, thus charging the battery stored in the solar light fixture. The solar panel requires direct sunlight falling onto the face of the solar panel for as long as possible over the course of the day.

When choosing the location for the solar panel, make sure it is aimed toward the South and is tilted to a suitable angle to allow as much direct sunlight to fall upon it as possible. Make sure there is a minimum amount of obstructions between the solar panel and the sun.

Also, make sure your solar panel location is not too far away from the solar light fixture for the wires to reach and connect.

Pre-Installation (continued)

SPECIFICATIONS

Range	Up to 50 ft. (15 m) (Varies with surrounding temperature)
Sensing angle	Up to 180°
Lumens	Solar Power: 500 LM
Power requirements	Solar panel and rechargeable Lithium Batteries
Operating modes	Off and Auto
Time delay	1 minute to 5 minutes

TOOLS REQUIRED



Safety goggles



Phillips screwdriver



Level



Drill bits
(3/32 in. and
7/32 in.)



Drill



Ladder

HARDWARE INCLUDED



NOTE: Hardware shown to actual size.



AA

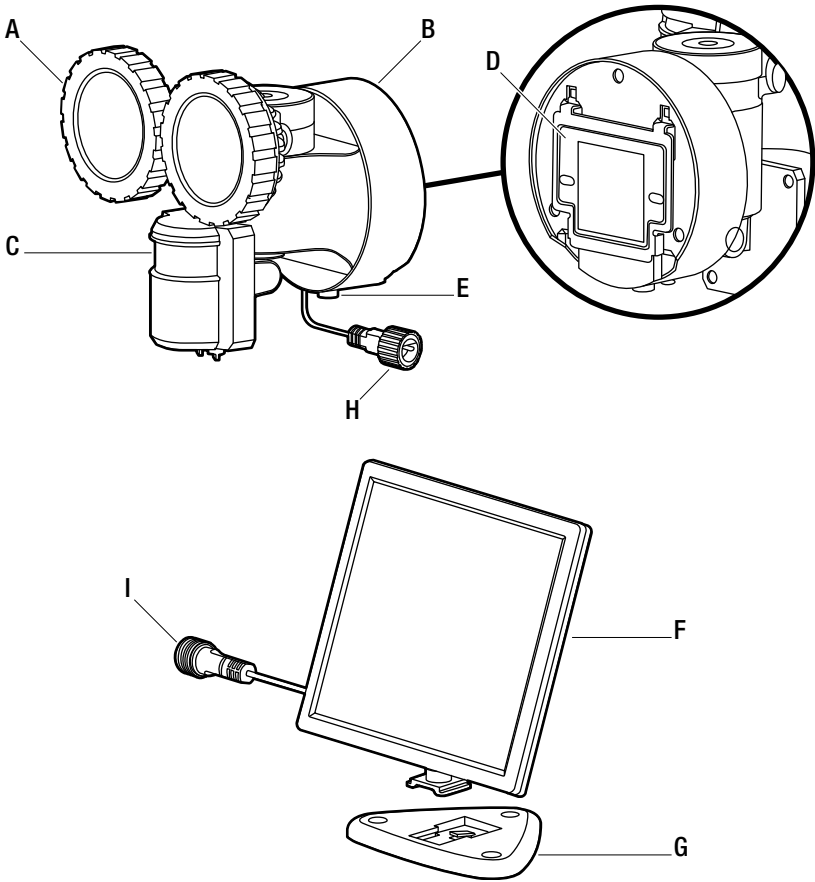


BB

Part	Description	Quantity
AA	Mounting screw	5
BB	Wall anchor	5

Pre-Installation (continued)

PACKAGE CONTENTS



Part	Description	Quantity
A	Lamp head	2
B	Light fixture	1
C	Motion sensor	1
D	Mounting plate	1
E	Power button	1
F	Solar panel	1
G	Solar panel cradle	1
H	Extendable cord (preassembled to Light fixture (B))	1
I	Extendable cord (preassembled from Solar panel (F))	1

Installation

1 Determining the mounting location

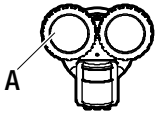
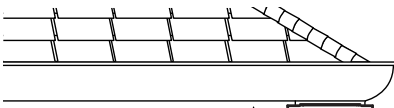


NOTE: The light fixture should be mounted approximately 8 ft. (2.4 m) above the ground.

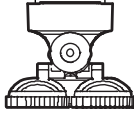


NOTE: Ensure the fixture and the solar panel are located close enough together for the cord to reach. You can also add on an extension cord. Ensure the solar panel faces South.

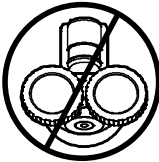
- Determine the mounting location - wall or eave mount.
- Position the lamp head (A) in the general direction of the desired light coverage.



Wall Mount



Eave Mount



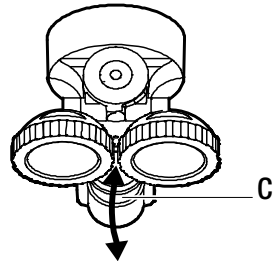
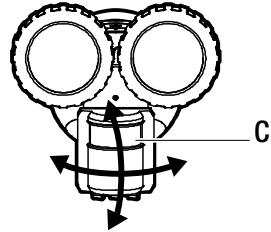
Incorrect

2 Setting the sensor for wall or eave mounting



NOTE: Adjust the sensor angle to a coverage desired.

- For wall mounting, tilt the sensor (C) down 10 degrees to cover up to a 50 ft. range in front.
- For eave mounting, turn the sensor (C) either clockwise or counterclockwise to the desired position.



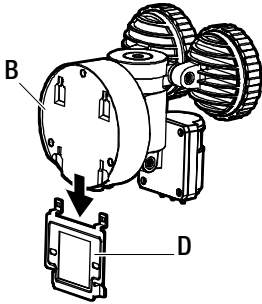
Installation (continued)

3 Removing the mounting plate



NOTE: Make sure there is enough vertical space above the mounting plate to allow the light fixture to be mounted.

- Press the wall mounting plate (D) and slide the mounting plate (D) from the light body (B).



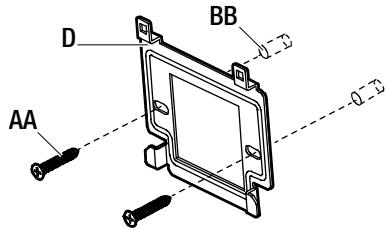
4 Installing the mounting plate



NOTE: Make sure there is enough vertical space above the mounting plate to allow the light fixture to be mounted.

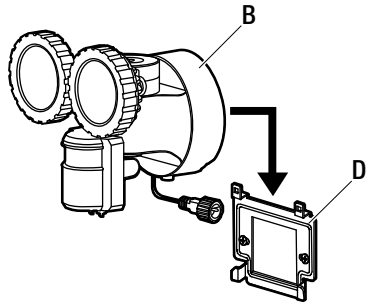
Place the mounting plate (D) against the mounting surface and ensure the mounting plate (D) is level. Mark the hole locations on the mounting surface, through which the mounting screws (AA) will be threaded.

- If mounting to a wooden surface, drill two 3/32 in. holes into the mounting surface. Install the two mounting screws (AA) through the mounting plate (D) and into the mounting surface.
- If mounting to wall board or brick, drill two 7/32 in. holes into the mounting surface. Insert the wall anchors (BB) and attach the mounting plate (D) using the two mounting screws (AA).



5 Mounting the light fixture

- Slide the rear of the light fixture (B) down onto the mounting plate (D) until it snaps into place.



Installation (continued)

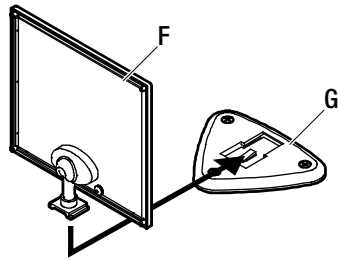
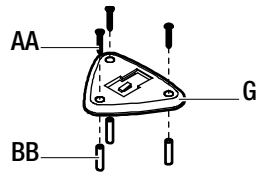
6 Mounting the solar panel



RECOMMENDED: Caulk around the base and on top of the screw heads after installation.

Place the solar panel (F) against the mounting surface and mark the mounting holes.

- If mounting to a wooden surface, drill three 3/32 in. holes into the mounting surface. Install the three mounting screws (AA) through the solar panel cradle (G) and into the mounting surface.
- If mounting to wall board or brick, drill three 7/32 in. holes into the mounting surface. Insert the wall anchors (BB) and attach the solar panel cradle (G) using the three mounting screws (AA).
- Once the solar panel cradle (G) has been installed, position the solar panel (F) above it, adjusting the direction and angle of the panel to its desired position to receive optimal sunlight.
- Slide the base of the solar panel (F) into the cradle (G). It will snap and lock in position.

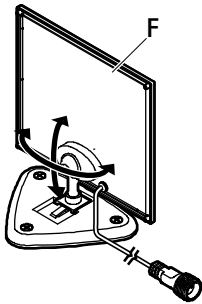


7 Adjusting the solar panel



IMPORTANT: The solar panel (F) must receive as much direct sunlight over the course of the day as possible. Keep in mind that shadows may block the sunlight from reaching the solar panel (F) during the day.

- Rotate the solar panel (F) to the desired angle.

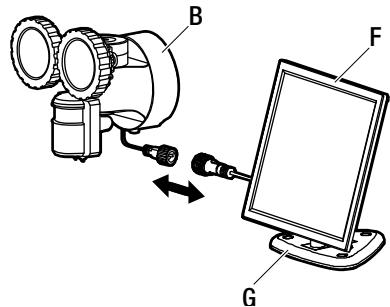


8 Connecting the solar panel to the light fixture

- Carefully connect the solar panel (F) cable to the light fixture (B). Screw the caps on the plugs firmly.
- Wrap any excess solar panel cable around the cradle (G) located on the rear of the solar panel (F). Leave enough loose cable to form a drip loop.

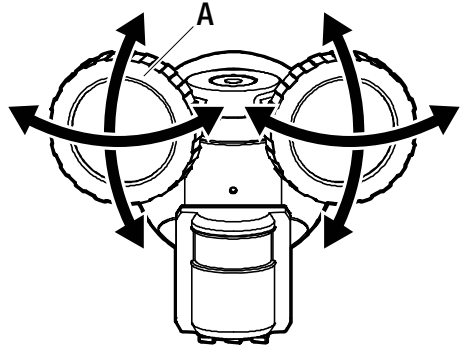


IMPORTANT: Push the switch to the OFF position and allow the battery to charge with 2 to 3 days of full sunshine before testing.



1 Adjusting the lamp heads

- If needed, gently grasp the lamp heads (A) and tilt them up or down or side-to-side to adjust the light coverage area.

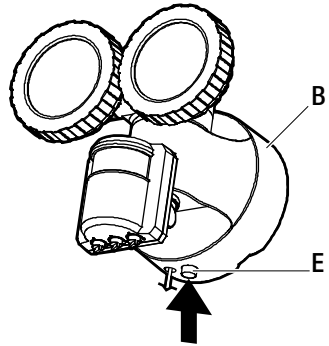


2 Using the OFF control

- Press the power button (E) to turn the light (B) off and to conserve the battery life.



NOTE: Pushing the button in turns the light (B) ON (AUTO mode). Pushing again so that the power button is out and extended turns the light OFF.



Operation (continued)

3 Determining the motion sensor detection zone



NOTE: The motion sensor (C) is adjustable. It has a sensing angle of 180° and a range of approximately 50 ft. depending on the surrounding temperature.

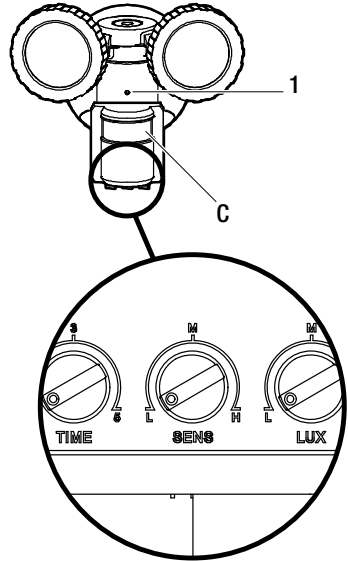


NOTE: When you turn ON the light (B), it will begin a 3 minute test mode. The photocell and motion detection will be deactivated. After the first minute, motion detection will be activated, but the photocell will remain deactivated. After 3 minutes, the unit will set to AUTO mode, and both photocells and motion detection will be enabled.



NOTE: The motion sensor (C) will need to completely warm up (60 seconds) before beginning the setup process.

- Push the switch button to the AUTO position. For the first minute, the light is in test mode. The lamp heads will stay on for 1 minute.
- After the initial minute in test mode, motion detection will be activated. You will have 2 minutes to perform a “walk test”, which will help in identifying the coverage area of the motion sensor (C).
- Walk in an arc across the front of the motion sensor (C), and watch the indicator light (1). If the motion sensor (C) detects movement, the indicator light (1) will flash green, and the lamp heads will stay on for 30 seconds after the detection (regardless of any further motion.)
- After 30 seconds, the indicator light will turn OFF and reset for another detection. This cycle can be repeated up to 4 times, and it is recommended that the motion sensor (C) be adjusted for optimal detection during these cycles.
- After 4 motion test cycles, or 2 minutes after the initial test mode, the light will automatically switch to AUTO mode.

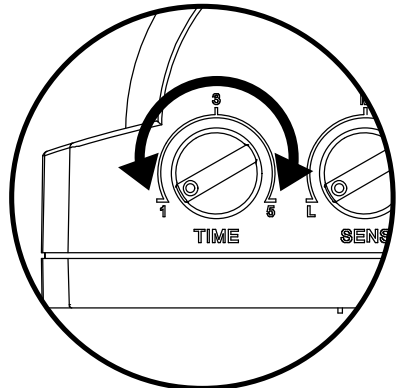


4 Adjusting the light timer



NOTE: The TIME dial controls the amount of time the light (B) will stay on full brightness after motion has been detected. The timer is adjustable from 1 minute to 5 minutes.

- To increase the time, turn the TIME dial towards the 5 minute position.
- To decrease the time, turn the TIME dial towards the 1 minute position.

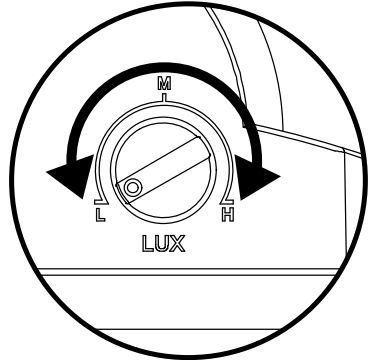


5 Adjusting the LUX



NOTE: Adjust the setting of the environmental light brightness to trigger the auto dusk-to-dawn photocell.

- To turn on the light in a very dark area, turn the LUX dial towards the "L" position.
- To turn on the light during daylight, turn the LUX dial towards the "H" position.

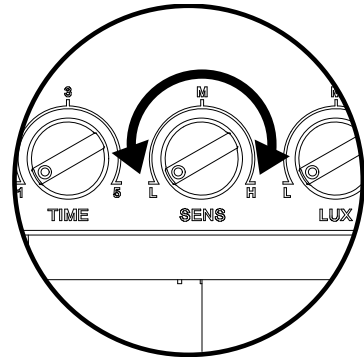


6 Adjusting the Sensitivity



NOTE: The SENS dial adjusts the sensitivity of the motion sensor.

- To increase sensitivity, and increase the sensor range up to 50 ft., turn the SENS dial towards the "H" position.
- To decrease sensitivity, and reduce the sensor range, turn the SENS dial towards the "L" position.



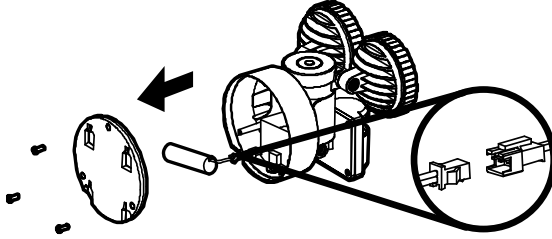
7 ECO Mode

- If the battery has limited power, the light will automatically go into ECO mode. In ECO mode, the light lowers in brightness to conserve battery power. When the battery charges back above 3.7V, the light returns to normal brightness.

Maintenance

BATTERY REPLACEMENT

- When the pre-installed, rechargeable Lithium battery has reached the end of its useful life, it can be easily replaced. Disconnect the light from the solar panel, and unmount from its position, placing the light on a sturdy surface. Unscrew and remove the back panel to access the battery. Remove the battery from its cradle, and disconnect the plug that attaches it to the light circuit board. Connect the new battery at the plug, and place the battery back in its cradle position. Replace the rear cover, screwing it securely into position. Remount the light, connect the solar panel, and follow the installation instructions. Please properly dispose of the depleted Lithium battery.



Care and Cleaning

- To prolong the original appearance, clean the light fixture with clear water and a soft, damp cloth only.
- Periodically clean the solar panel with a soft cloth and warm water. Do not hose spray. Keep the panel clear of snow and leaves. Make sure trees and other objects do not block sunlight from the panel.
- Do not use paints, solvents, or other chemicals on this light fixture. They could cause a premature deterioration of the finish. This is not a defect in the finish and will not be covered by the warranty.
- Do not spray the light fixture with a hose or power washer.
- If not to be used for several weeks, turn the unit OFF. Store it with the panel connected and where the panel can gather sunlight.

Troubleshooting

Problem	Possible Issue	Solution
The light will not turn ON.	The power button is OFF.	Turn on the light.
	The battery has run down.	Recharge the battery in the sunlight.
	The extension cord between the solar panel and light fixture is longer than 60 ft.	Connect to a shorter extension cord, or reposition the solar panel closer to light fixture.
	The battery is dead.	Replace with a new rechargeable Lithium battery.
	The solar panel is not positioned correctly.	Adjust the panel angle to face southward for sufficient and direct sunlight.
	The solar panel location is not optimal.	The solar panel must face South and have clear exposure to the sun. If the panel cord is not long enough, an extension is available at Homedepot.com .
	The motion sensor position is not optimal.	Adjust the SENS dial between "Low-Medium-High" accordingly.

Troubleshooting (continued)

Problem	Possible Issue	Solution
The light will not turn ON.	Other surrounding light sources are triggering the photocell.	Adjust the LUX setting to compensate for other light sources such as street lamps and house lights.
	Surrounding air temperature is greater than 122°F (50°C) or less than -4°F (-20°C).	The light will operate normally within the specified temperature range.
The green indicator light continues to flash but the light does not turn ON.	There is a program error.	Disconnect the battery and reconnect to perform a reset.
The light appears dimmer than normal.	The rechargeable Lithium ion battery is low and the unit switches to ECO mode automatically.	When the battery is charged back to 3.7V, the light will quit ECO mode and return to normal brightness.
		Adjust the TIME dial to a smaller amount of time to help save battery.
The light turns ON during the day.	The light is mounted in a dark location.	Adjust the LUX dial towards "L". If still malfunctioning, relocate the light to a location away from shadows.
The light appears to "strobe" or flash.	The battery is low.	Turn OFF the light and charge the battery by direct sunlight.
	Check if any surrounding light source illuminates or reflects ambient light towards the motion sensor.	Remove surrounding light sources that affect the motion sensor, or relocate the light to ensure no light reflects onto the motion sensor.
	There is a program error.	Turn OFF the light for 10 seconds. Turn ON thereafter.

DEFIANT[®]

Questions, problems, missing parts?
Before returning to the store, call Defiant Customer Service
8 a.m. – 7 p.m., EST, Monday-Friday, 9 a.m. – 6 p.m., EST, Saturday

1-866-308-3976

HOMEDEPOT.COM

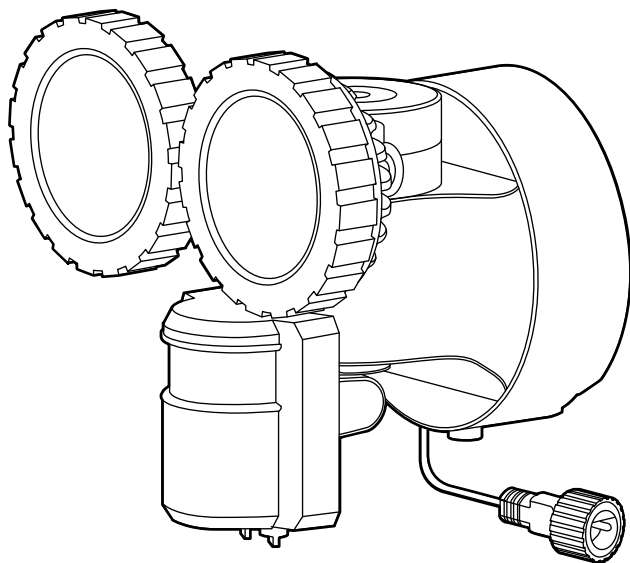
Retain this manual for future use.

DEFIANT®

Artículo n.º 1002638550
Modelo n.º DFI-0452-WH

GUÍA DE USO Y CUIDADO

LÁMPARA SOLAR DE SEGURIDAD DETECTORA DE MOVIMIENTO



¿Tiene preguntas o problemas, o le faltan piezas? Antes de devolver a la tienda,
llame al Servicio de Atención al Cliente de Defiant
Lunes a viernes de 8:00 a.m. - 7:00 p.m., EST, y los sábados de 9:00 a.m. - 6:00 p.m., EST.

1-866-308-3976

HOMEDEPOT.COM

GRACIAS

Agradecemos la confianza que ha depositado en Defiant a través de la compra de esta lámpara de seguridad con detección de movimiento. Nos esforzamos continuamente para crear productos de calidad diseñados para mejorar su hogar. Visítenos en línea para ver nuestra línea completa de productos disponibles para sus necesidades de mejoramiento del hogar. ¡Gracias por elegir a Defiant!

Índice

Índice	2
Información de seguridad	2
Garantía	2
Antes de la instalación.....	3
Instalación.....	6

Funcionamiento.....	9
Mantenimiento	12
Cuidado y limpieza.....	12
Resolución de problemas	12

Información de seguridad

PRECAUCIONES

Lea y entienda este manual por completo antes de intentar ensamblar, operar o instalar esta lámpara.

- La lámpara debe instalarse en exteriores en una pared o alero.
- La lámpara debe instalarse aproximadamente a 8 pies (2.4 m) por encima del suelo.
- No corte el cable del panel solar. Suspenda el uso si el cable se deshilacha o se rompe.
- No sumerja los componentes en líquido.
- No utilice ningún otro dispositivo de carga que no sea el panel de carga solar único provisto para esta lámpara. De lo contrario, puede causar lesiones o daños a la lámpara y anulará cualquier garantía.
- Coloque el cable de manera que esté bien sujeto y no cause peligros (tal como tropezar con él).

- La longitud máxima del cable de extensión para usar con este producto es de 60 pies.

Hay un cable de extensión de 30 pies disponible para este producto en HOMEDEPOT.COM.



ADVERTENCIA: Para evitar posibles LESIONES GRAVES o la MUERTE, no permita que los niños pequeños se acerquen a las baterías. Si se ingiere una batería, notifique inmediatamente a un médico.



ADVERTENCIA: NO DESECHE LAS BATERÍAS QUEMÁNDOLAS. LAS BATERÍAS PUEDEN EXPLOTAR O TENER FUGAS.

AVISO: Cuando reemplace las baterías, recicle las baterías usadas o deséchelas de acuerdo con los reglamentos locales.

Garantía

GARANTÍA LIMITADA POR 1 AÑO

QUÉ ES LO QUE CUBRE

Este producto está garantizado contra piezas defectuosas de fábrica y mano de obra por un período de 1 año a partir de la fecha de compra. El recibo de compra es necesario para todos los reclamos de garantía.

QUÉ ES LO QUE NO CUBRE

Esta garantía no incluye servicio de reparación, ajuste y calibración debido al mal uso, abuso o negligencia. El servicio no autorizado o la modificación del producto o de cualquier componente proporcionado anularán esta garantía en su totalidad. Esta garantía no incluye reembolso por inconveniencias, instalación, tiempo de preparación, pérdida de uso, servicio no autorizado o gastos de envío de devolución. Esta garantía no se extiende a otros equipos y componentes que el cliente utilice junto con este producto.

No hay piezas de repuesto disponibles para este producto.

Comuníquese con el equipo de Atención al Cliente al 1-866-308-3976 o visite www.HomeDepot.com.

Antes de la instalación

PLANIFICACIÓN DE LA INSTALACIÓN

Antes de instalar la lámpara, asegúrese de que todas las piezas estén presentes. Verifique las piezas con las secciones de Herraje incluido y Contenido del paquete. Si alguna pieza falta o está dañada, no intente montar, instalar o utilizar esta lámpara.

Tiempo estimado de instalación: 30 minutos

DESCRIPCIÓN DEL PRODUCTO

Esta luz funciona con una batería que se carga a partir de un panel solar. Si la tensión de la batería de iones de litio baja hasta 3.6 V, la luz cambiará automáticamente al modo ECO y se atenuará para ahorrar batería y alcanzar un tiempo de funcionamiento más largo. Cuando el panel solar haya recargado la batería de litio y el voltaje esté por encima de 3.7 V, la luz cambiará automáticamente al modo AUTO y la luminosidad normal.

CARGA INICIAL DE LA BATERÍA

IMPORTANTE: Las nubes, lluvia, nieve y otras condiciones meteorológicas pueden impedir que el panel solar recargue completamente a la batería. Otras obstrucciones tales como edificios o árboles pueden bloquear al sol también.

Al instalar el panel solar, asegúrese de que esté orientado como se describe a continuación con una cantidad mínima de obstrucciones. Monte el panel orientado al sol hacia el sur. En Homedepot.com hay disponible una extensión del cable del panel solar.

- ANTES DE SU USO, la batería requerirá de 2 a 3 días de luz solar directa y plena para cargarse completamente con el interruptor en la posición de apagado. Conecte el enchufe del cable del panel solar con el conector que se extiende desde la parte inferior de la carcasa de la lámpara. Si es posible, apunte el panel solar hacia el sur e inclínelo aproximadamente 50° de la horizontal. Si el panel solar no se puede dirigir hacia el sur, incline el panel aproximadamente 30°. Otra opción es agregar un cable de extensión (no incluido en el paquete) que se encuentra disponible en Homedepot.com.
- El tiempo de funcionamiento real variará dependiendo de la frecuencia con la que el sensor de movimiento encienda la lámpara.
- La iluminación solar no está diseñada para igualar la iluminación estándar de 120 V. La emisión de luz es reducida para permitir que durante el horario diurno la batería se recargue completamente entre los ciclos de iluminación.
- La carga solar sólo es eficaz bajo la luz solar directa. Por cada hora que la lámpara esté encendida se requiere un mínimo de 6 horas de carga a la luz del sol.

UBICACIÓN DE MONTAJE

El factor más importante a recordar para el funcionamiento de su lámpara solar detectora de movimiento es que esta funciona con la energía recibida de la luz directa del sol. Cuanta más luz solar directa reciba el panel solar en un día, mayor será la duración de la luz.

LÁMPARA SOLAR

La unidad principal contiene los LED, un sensor de movimiento y una batería de litio recargable. Al decidir dónde montar esta unidad, tenga en cuenta que el sensor de movimiento que activa la lámpara tiene un "campo de visión" de 50 pies (15 m) delante de la luz y un ángulo de detección de 180° a una temperatura del aire circundante de 25 °C (77 °F).

PANEL SOLAR

El panel solar convierte la energía del sol en electricidad, recargando así la batería que se encuentra en la lámpara solar. El panel solar requiere que la luz solar directa caiga sobre la superficie del panel durante el mayor tiempo posible a lo largo del día.

Al elegir la ubicación para el panel solar, asegúrese de que esté dirigido hacia el sur y de que esté inclinado a un ángulo adecuado para permitir que la luz solar directa caiga sobre él tanto como sea posible. Asegúrese de que haya una cantidad mínima de obstrucciones entre el panel solar y el sol.

Además, asegúrese de que la ubicación del panel solar no esté demasiado lejos de la lámpara solar para que los cables alcancen y se puedan conectar.

Antes de la instalación (continuación)

ESPECIFICACIONES

Alcance	Hasta 50 pies (15 m) (varía según la temperatura ambiente)
Ángulo de detección	Hasta 180°
Lúmenes	Energía solar: 500 LM
Requerimientos de alimentación	Panel solar y baterías de litio recargables
Modos de funcionamiento	Apagado y Automático
Tiempo de demora	1 a 5 minutos

HERRAMIENTAS REQUERIDAS



Lentes protectores



Destornillador Phillips



Nivel



Brocas (3/32 pulg. y 7/32 pulg.)



Taladro



Escalera

HERRAJE INCLUIDO



NOTA: El herraje se muestra al tamaño real.



AA

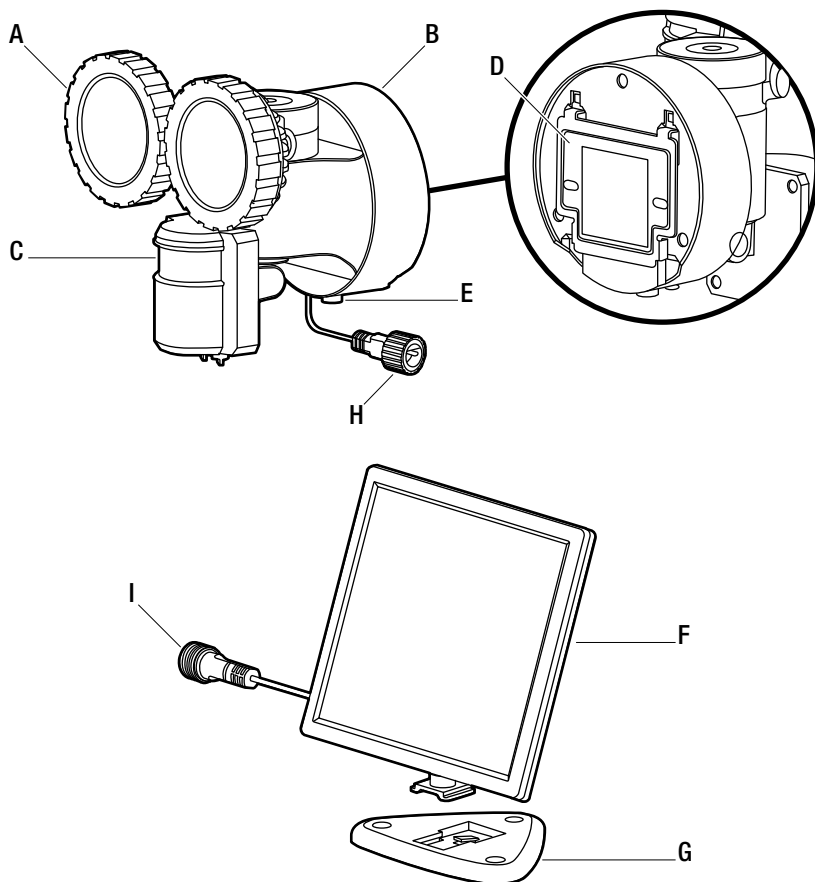


BB

Pieza	Descripción	Cantidad
AA	Tornillo de montaje	5
BB	Anclaje de pared	5

Antes de la instalación (continuación)

CONTENIDO DEL PAQUETE



Pieza	Descripción	Cantidad
A	Cabeza de la lámpara	2
B	Lámpara	1
C	Sensor de movimiento	1
D	Placa de montaje	1
E	Botón de encendido	1
F	Panel solar	1
G	Base del panel solar	1
H	Cable de extensión (preensamblado a la lámpara (B))	1
I	Cable de extensión (preensamblado al panel solar (F))	1

Instalación

1 Determinación de la ubicación de montaje

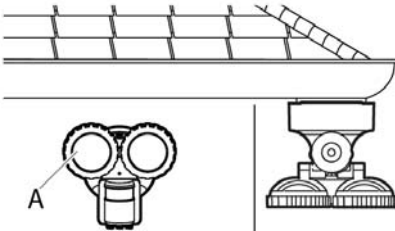


NOTA: La lámpara se debe montar aproximadamente a 8 pies (2.4 m) sobre el suelo.



NOTA: Asegúrese de que la lámpara y el panel solar estén situados lo suficientemente cerca como para que el cable alcance. También puede añadir un cable de extensión. Asegúrese de que el panel solar esté orientado hacia el sur.

- Determine la ubicación de montaje, ya sea en la pared o el alero.
- Coloque el cabezal de la lámpara (A) en la dirección general de la cobertura deseada de la luz.



Montaje en la pared

Montaje en el alero



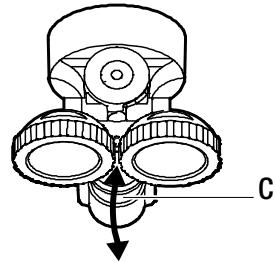
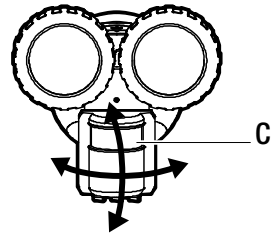
Incorrecta

2 Ajuste del sensor para montaje en la pared o el alero



NOTA: Ajuste el ángulo del sensor a la cobertura deseada.

- Para el montaje en la pared, incline el sensor (C) hacia abajo 10 grados para cubrir un rango de hasta 50 pies al frente.
- Para el montaje en el alero, gire el sensor (C) hacia la derecha o hacia la izquierda hasta la posición deseada.



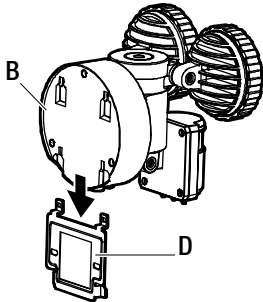
Instalación (continuación)

3 Extracción de la placa de montaje



NOTA: Asegúrese de que haya suficiente espacio vertical por encima de la placa de montaje para permitir que la lámpara se pueda montar.

- Presione la placa de montaje de pared (D) y deslice la placa de montaje (D) del cuerpo de la lámpara (B).



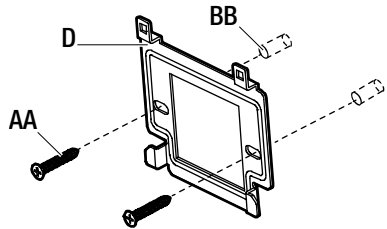
4 Instalación de la placa de montaje



NOTA: Asegúrese de que haya suficiente espacio vertical por encima de la placa de montaje para permitir que la lámpara se pueda montar.

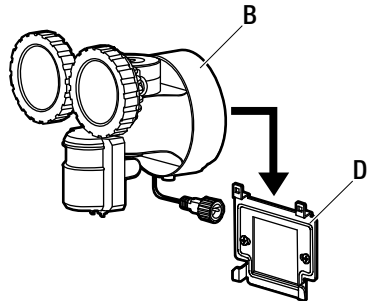
Coloque la placa de montaje (D) contra la superficie de montaje y asegúrese de que la placa de montaje (D) esté nivelada. Marque los orificios en la superficie de montaje, a través de los cuales se enroscarán los tornillos de montaje (AA).

- Si se monta en una superficie de madera, taladre dos orificios de 3/32 pulgadas en la superficie de montaje. Instale los dos tornillos de montaje (AA) a través de la placa de montaje (D) y en la superficie de montaje.
- Si se monta en una pared de panel o de ladrillos, taladre dos orificios de 7/32 pulgadas en la superficie de montaje. Inserte los anclajes de pared (BB) y fije la placa de montaje (D) con los dos tornillos de montaje (AA).



5 Para montar la lámpara

- Deslice la parte trasera de la lámpara (B) hacia abajo sobre la placa de montaje (D) hasta que encaje en su lugar.



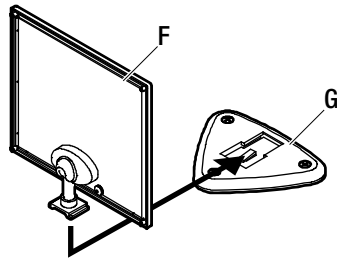
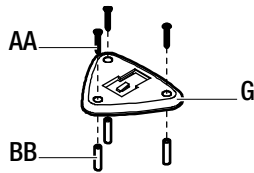
6 Para montar el panel solar



RECOMENDACIÓN: Enmasille alrededor de la base y encima de las cabezas de los tornillos después de la instalación.

Coloque el panel solar (F) contra la superficie de montaje y marque los orificios de montaje.

- Si se monta en una superficie de madera, taladre tres orificios de 3/32 pulgadas en la superficie de montaje. Instale los tres tornillos de montaje (AA) a través de la base del panel solar (G) y en la superficie de montaje.
- Si se monta en una pared de panel o de ladrillos, taladre tres orificios de 7/32 pulgadas en la superficie de montaje. Inserte los anclajes de pared (BB) y fije la base del panel solar (G) con los tres tornillos de montaje (AA).
- Una vez instalada la base del panel solar (G), coloque el panel solar (F) sobre ella, ajustando la dirección y el ángulo del panel a su posición deseada para recibir la luz solar óptima.
- Deslice la base del panel solar (F) en la base (G). Este encajará y se bloqueará en su posición.

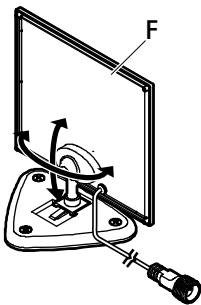


7 Ajuste del panel solar



IMPORTANTE: El panel solar (F) debe recibir tanta luz solar directa durante el día como sea posible. Tenga en cuenta que las sombras pueden bloquear la luz solar que llega al panel solar (F) durante el día.

- Gire el panel solar (F) al ángulo deseado.

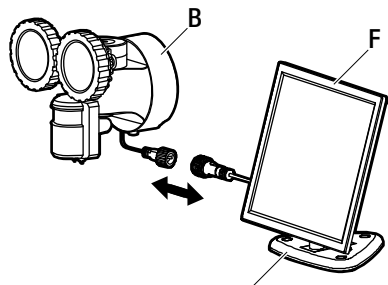


8 Conexión del panel solar a la lámpara

- Conecte cuidadosamente el cable del panel solar (F) a la lámpara (B). Enrosque firmemente las tapas de los enchufes.
- Enrolle el exceso de cable del panel solar alrededor de la base (G) ubicada en la parte posterior del panel solar (F). Deje suficiente cable suelto para formar un bucle de goteo.

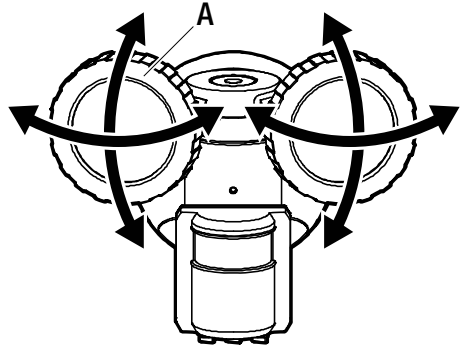


IMPORTANTE: Empuje el interruptor a la posición de apagado y permita que la batería se cargue durante 2 a 3 días de pleno sol antes de realizar las pruebas.



1 Ajuste de las cabezas de las lámparas

- Si es necesario, sujete suavemente las cabezas de la lámpara (A) e inclínelas hacia arriba o hacia abajo o de lado a lado para ajustar el área de cobertura de la luz.

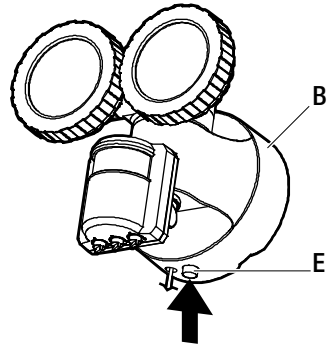


2 Utilización del control de apagado

- Presione el botón de encendido (E) para apagar la lámpara (B) y conservar la carga de la batería.



NOTA: Al presionar el botón hacia adentro se enciende la lámpara (B) (modo AUTO). Presionar de nuevo el botón de encendido de manera que este salga hace que la luz se apague.



Funcionamiento (continuación)

3

Determinación de la zona de detección del sensor de movimiento



NOTA: El sensor de movimiento (C) es ajustable. Tiene un ángulo de detección de 180° y un rango de aproximadamente 50 pies dependiendo de la temperatura ambiente.

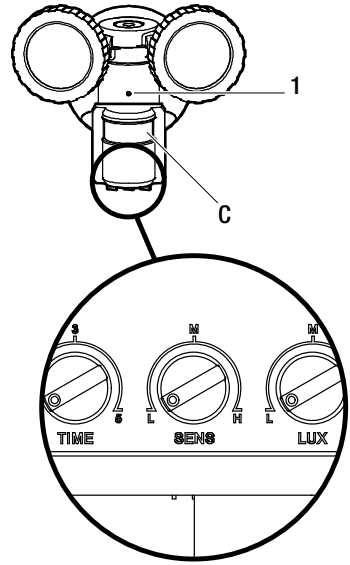


NOTA: Cuando encienda la lámpara (B), esta iniciará un modo de prueba que dura 3 minutos. La fotocélula y la detección de movimiento se desactivarán. Después del primer minuto, se activará la detección de movimiento, pero la fotocélula permanecerá desactivada. Después de 3 minutos, la unidad se pondrá en el modo AUTO, y se activarán tanto las fotocélulas como la detección de movimiento.



NOTA: El sensor de movimiento (C) deberá calentarse completamente (60 segundos) antes de comenzar el proceso de configuración.

- Presione el botón del interruptor para que pase a la posición AUTO. Durante el primer minuto, la lámpara está en modo de prueba. Los cabezales de las lámparas permanecerán encendidos durante 1 minuto.
- Después del minuto inicial en el modo de prueba, se activará la detección de movimiento. Usted dispondrá de 2 minutos para realizar una “caminata de prueba”, que le ayudará a identificar el área de cobertura del sensor de movimiento (C).
- Camine en arco por delante del sensor de movimiento (C) y observe la luz indicadora (1). Si el sensor de movimiento (C) detecta el movimiento, la luz indicadora (1) parpadeará en verde y los cabezales permanecerán encendidos durante 30 segundos después de la detección (independientemente de cualquier movimiento adicional).
- Después de 30 segundos, la luz indicadora se apagará y se restablecerá para otra detección. Este ciclo puede repetirse hasta 4 veces, y se recomienda ajustar el sensor de movimiento (C) para una detección óptima durante estos ciclos.
- Después de 4 ciclos de prueba de movimiento, o 2 minutos después del modo de prueba inicial, la lámpara cambiará automáticamente al modo AUTO.



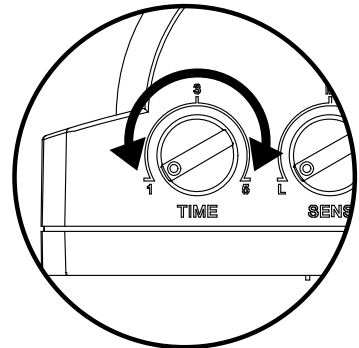
4

Ajuste del temporizador de la lámpara



NOTA: La perilla TIME controla la cantidad de tiempo que la lámpara (B) permanecerá encendida a plena luz después de que se haya detectado el movimiento. El temporizador se puede ajustar entre 1 y 5 minutos.

- Para aumentar el tiempo, gire la perilla TIME hacia la posición de 5 minutos.
- Para disminuir el tiempo, gire la perilla TIME hacia la posición de 1 minuto.

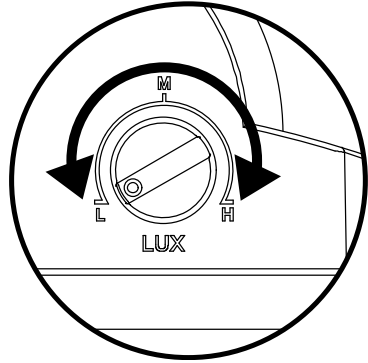


5 Ajuste de LUX



NOTA: Ajuste el valor de luminosidad de la luz ambiental para activar la fotocélula automáticamente desde el crepúsculo hasta el amanecer.

- Para encender la lámpara en un área muy oscura, gire la perilla LUX hacia la posición "L".
- Para encender la lámpara durante la luz del día, gire la perilla LUX hacia la posición "H".

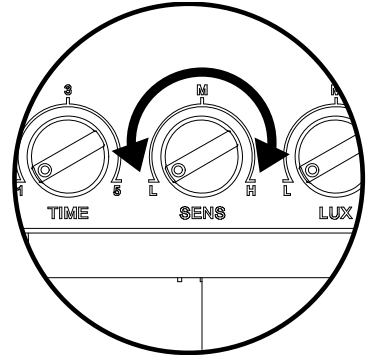


6 Ajuste de la sensibilidad



NOTA: La perilla SENS ajusta la sensibilidad del sensor de movimiento.

- Para aumentar la sensibilidad y aumentar el alcance del sensor hasta 50 pies, gire la perilla SENS hacia la posición "H".
- Para disminuir la sensibilidad y reducir el rango del sensor, gire la perilla SENS hacia la posición "L".



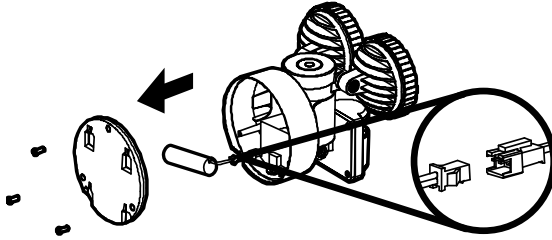
7 Modo ecológico

- Si la batería tiene una carga limitada, la lámpara pasará automáticamente al modo ECO. En el modo ECO, la lámpara disminuye su luminosidad para conservar la carga de la batería. Cuando la batería se cargue por encima de 3.7 V, la lámpara vuelve a la luminosidad normal.

Mantenimiento

CAMBIO DE LA BATERÍA

- Cuando la batería de litio recargable preinstalada llegue al final de su vida útil, esta puede reemplazarse fácilmente. Desconecte la lámpara del panel solar, y desmóntela de su posición, colocando la lámpara sobre una superficie resistente. Desenrosque y retire el panel posterior para acceder a la batería. Retire la batería de su soporte y desconecte el enchufe que la conecta a la placa de circuito de la lámpara. Conecte la nueva batería en el enchufe y vuelva a colocar la batería en su posición en el soporte. Vuelva a colocar la cubierta trasera, atornillándola firmemente en su posición. Vuelva a montar la lámpara, conecte el panel solar y siga las instrucciones de instalación. Deshágase de la manera apropiada de la batería de litio agotada.



Cuidado y limpieza

- Para prolongar el aspecto original, limpie la lámpara con agua limpia y un paño suave y húmedo solamente.
- Limpie periódicamente el panel solar con un paño suave y agua tibia. No lo rocíe con una manguera. Mantenga el panel libre de nieve y hojas. Asegúrese de que los árboles y otros objetos no bloqueen la luz solar del panel.
- No utilice pinturas, disolventes u otros químicos en esta lámpara. Pueden causar un deterioro prematuro del acabado. Esto no es un defecto en el acabado y no será cubierto por la garantía.
- No rocíe la lámpara con una manguera o una rociadora eléctrica a presión.
- Apague la unidad si no se va a utilizar durante varias semanas. Guárdela con el panel conectado y donde el panel pueda recibir la luz del sol.

Resolución de problemas

Problema	Posible problema	Solución
La lámpara no enciende.	El botón de encendido está apagado.	Encienda la lámpara.
	La batería se ha agotado.	Recargue la batería a la luz del sol.
	La longitud del cable de extensión entre el panel solar y la lámpara es mayor de 60 pies.	Conecte a un cable de extensión más corto o coloque el panel solar más cerca de la lámpara.
	La batería ya no carga.	Reemplácela con una nueva batería de litio recargable.
	El panel solar no está posicionado correctamente.	Ajuste el ángulo del panel hacia el sur para obtener suficiente luz solar directa.
	La ubicación del panel solar no es óptima.	El panel solar debe estar orientado hacia el sur y tener una clara exposición al sol. Si el cable del panel no es lo suficientemente largo, hay disponibles extensiones en Homedepot.com .
	La posición del sensor de movimiento no es óptima.	Ajuste la perilla SENS entre "Low-Medium-High" según corresponda.

Resolución de problemas (continuación)

Problema	Posible problema	Solución
La lámpara no enciende.	Otras fuentes de luz circundantes están activando la fotocélula.	Ajuste el valor de LUX para compensar otras fuentes de iluminación, tales como las luces de la calle y de la casa.
	La temperatura del aire circundante es superior a 122 °F (50 °C) o inferior a -4 °F (-20 °C).	La lámpara funcionará normalmente dentro del rango de temperatura especificado.
La luz indicadora verde continúa parpadeando pero la lámpara no se enciende.	Hay un error de programa.	Desconecte la batería y vuelva a conectarla para hacer un restablecimiento.
La luz aparece más atenuada de lo normal.	La batería de iones de litio recargable está baja y la unidad cambia automáticamente al modo ECO.	Cuando la batería se cargue de nuevo a 3.7 V, la lámpara dejará el modo ECO y volverá a la luminosidad normal.
		Ajuste la perilla TIME a una cantidad menor de tiempo para ahorrar batería.
La lámpara se enciende durante el día.	La lámpara está montada en un lugar oscuro.	Ajuste la perilla LUX hacia "L". Si sigue funcionando mal, coloque la lámpara en un lugar alejado de las sombras.
La luz parece "destellar" o parpadear.	La batería está baja.	Apague la lámpara y cargue la batería por la luz solar directa.
	Compruebe si alguna fuente de luz circundante ilumina o refleja luz ambiental hacia el sensor de movimiento.	Retire las fuentes de luz circundantes que afectan al sensor de movimiento o reubique la lámpara para asegurarse de que no se refleje luz en el sensor de movimiento.
	Hay un error de programa.	Apague la lámpara durante 10 segundos. Enciéndala después.

DEFIANT®

¿Tiene preguntas o problemas, o le faltan piezas?

Antes de devolver a la tienda, llame a Atención al Cliente de Defiant

Lunes a viernes de 8:00 a.m. - 7:00 p.m., EST, y los sábados de 9:00 a.m. - 6:00 p.m., EST.

1-866-308-3976

HOMEDEPOT.COM

Guarde este manual para su uso futuro.