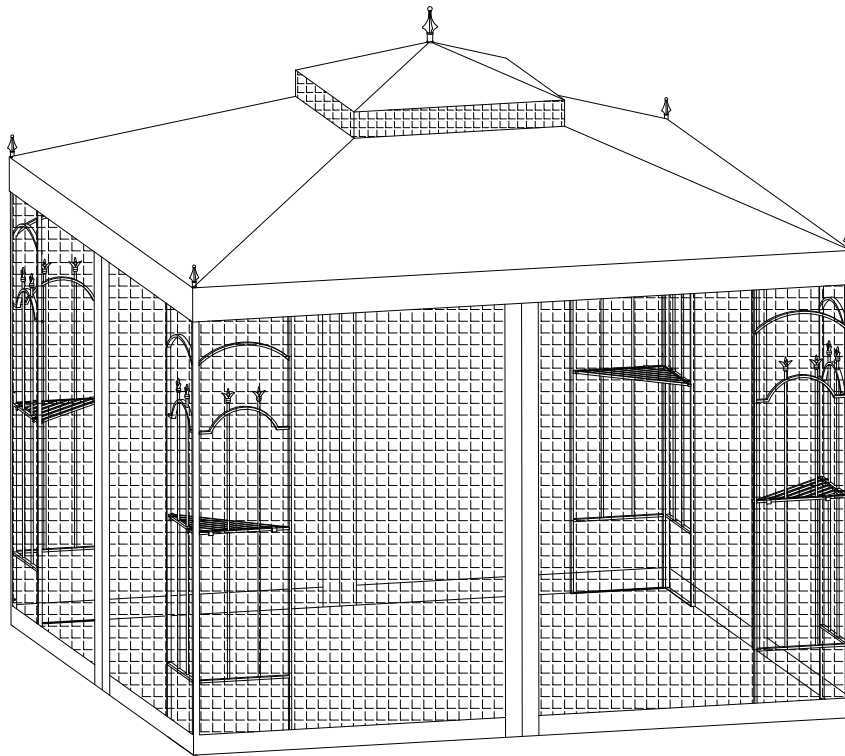


Item # 1000 327 738
Model # GGHL00019

HAMPTON BAY®

USE AND CARE GUIDE

ARROW GAZEBO



Questions, problems, missing parts? Before returning to the store,
call Hampton Bay Customer Service.
8 a.m. - 7 p.m., EST, Monday - Friday, 9 a.m. - 6 p.m., EST, Saturday

1-855-HD-HAMPTON

HAMPTONBAY.COM

THANK YOU

We appreciate the trust and confidence you have placed in Hampton Bay through the purchase of this gazebo. We strive to continually create quality products designed to enhance your home. Visit us online to see our full line of products available for your home improvement needs. Thank you for choosing Hampton Bay!

Table of Contents

Table of Contents	2	Pre-Assembly	3
Warranty	2	Planning Assembly	3
What is Covered	2	Hardware Included	3
What is Not Covered	2	Package Contents	4
Safety Information	2	Assembly	5
		Care and Cleaning	15

Warranty

2 YEAR FRAME AND FABRIC WARRANTY

WHAT IS COVERED

We warrant the frame and fabric to be free of manufacturing defects to the original purchaser for two year.

WHAT IS NOT COVERED

It remains the customer's responsibility for freight and package charges to and from our service center. This warranty does not cover commercial use, hardware, acts of nature, fire, freezing and abusive use. In addition, purchased parts are not covered under this warranty. We reserve the right to make the substitutions with similar merchandise, if the model in question is no longer in production.

Contact the Customer Service Team at 1-855-HD-HAMPTON or visit www.HamptonBay.com.

Safety Information



WARNING: Keep all flame and heat sources away from this gazebo fabric.



WARNING: This application of any foreign substance to the gazebo fabric may render the flame resistant properties ineffective.



WARNING: This gazebo is made with fabric that meets CPAI - 84 specifications for flame resistance. It is not fire proof. The fabric will burn if left continuous contact with any flame source.



CAUTION: This gazebo is made for the explicit purpose of providing limited outdoor sunshade and is not to be used as a toy, shelter, or tent.



CAUTION: Do not locate the gazebo near any open flame.



CAUTION: Do not use the gazebo as a support.



CAUTION: Do not shake, lean, or climb on the gazebo.



CAUTION: Children under the age of 10 who are near the gazebo should be supervised by a competent adult at all times.

Pre-Assembly

PLANNING ASSEMBLY

Read all instructions before assembly.

To avoid damaging this product, assemble it on a soft, non-abrasive surface such as carpet or cardboard.

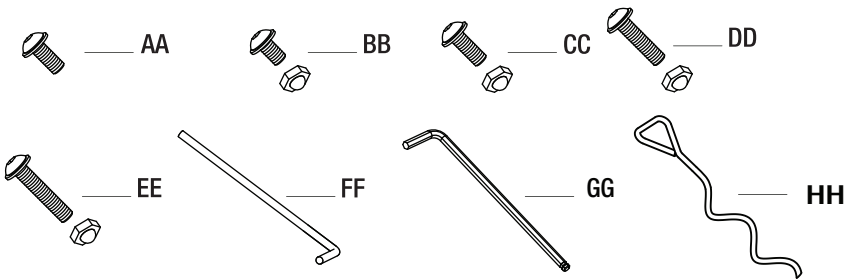


NOTE: More than one person may be required to complete the assembly for this product.

HARDWARE INCLUDED



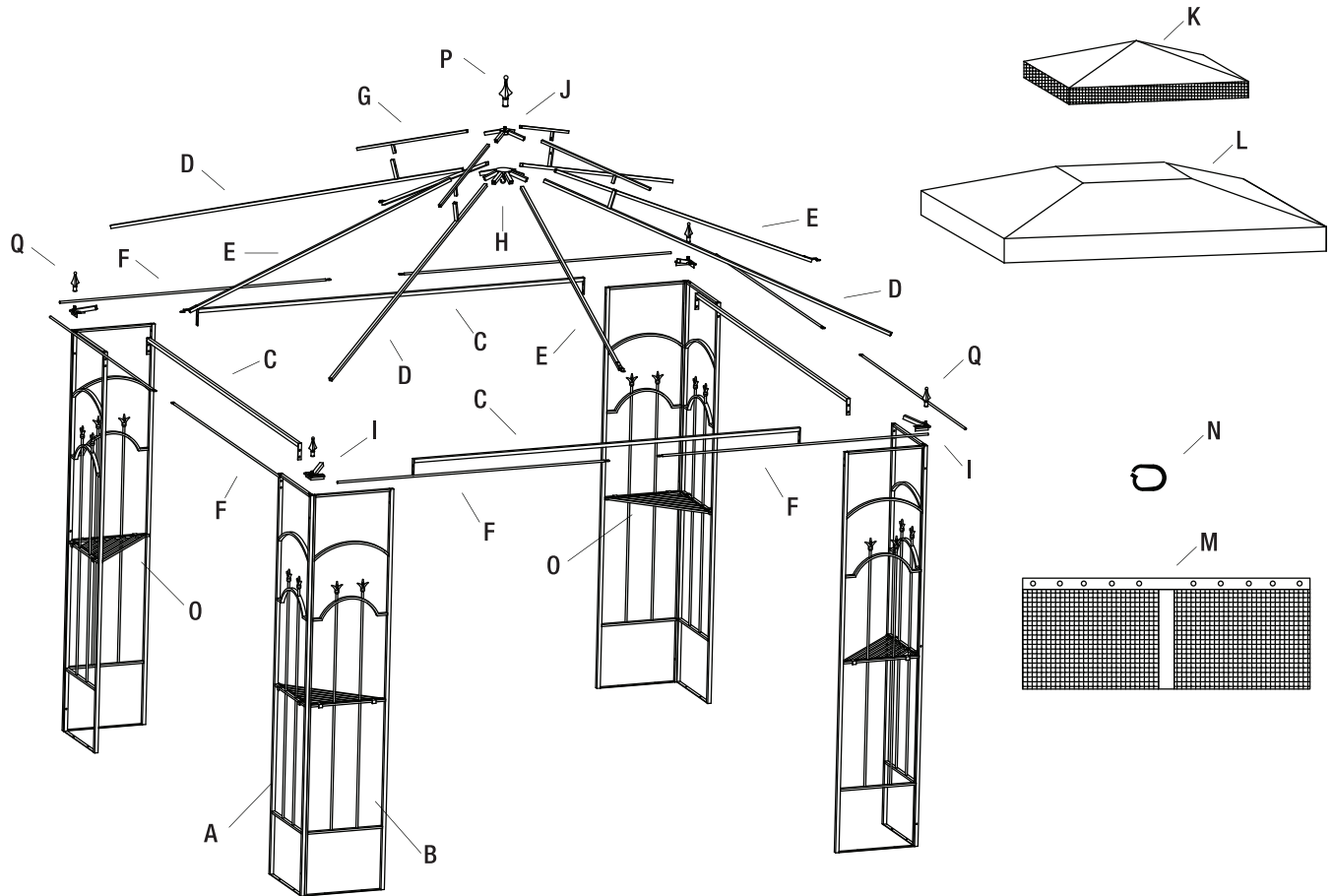
NOTE: Hardware not shown to actual size.



Part	Description	Quantity
AA	M6x15 combination bolt	4+1
BB	M6x10 combination bolt and nut	4+1
CC	M6x20 combination bolt and nut	8+1
DD	M6x30 combination bolt and nut	16+1
EE	M6x35 combination bolt and nut	12+1
FF	Ground spike	8+1
GG	Hex wrench	2
HH	Corkscrew ground spike	8+1

Pre-Assembly (continued)

PACKAGE CONTENTS



Part	Description	Quantity
A	Panel A	4
B	Panel B	4
C	Beam	4
D	Canopy spoke	4
E	Canopy frame	4
F	Track tube	8
G	Short canopy spoke	4
H	Lower canopy hub	1
I	Corner connector	4

Part	Description	Quantity
J	Upper canopy hub	1
K	Small fabric cover	1
L	Large fabric cover	1
M	Netting	4
N	Plastic ring	48
O	Corner shelf	4
P	Top arrow	1
Q	Corner arrow	4

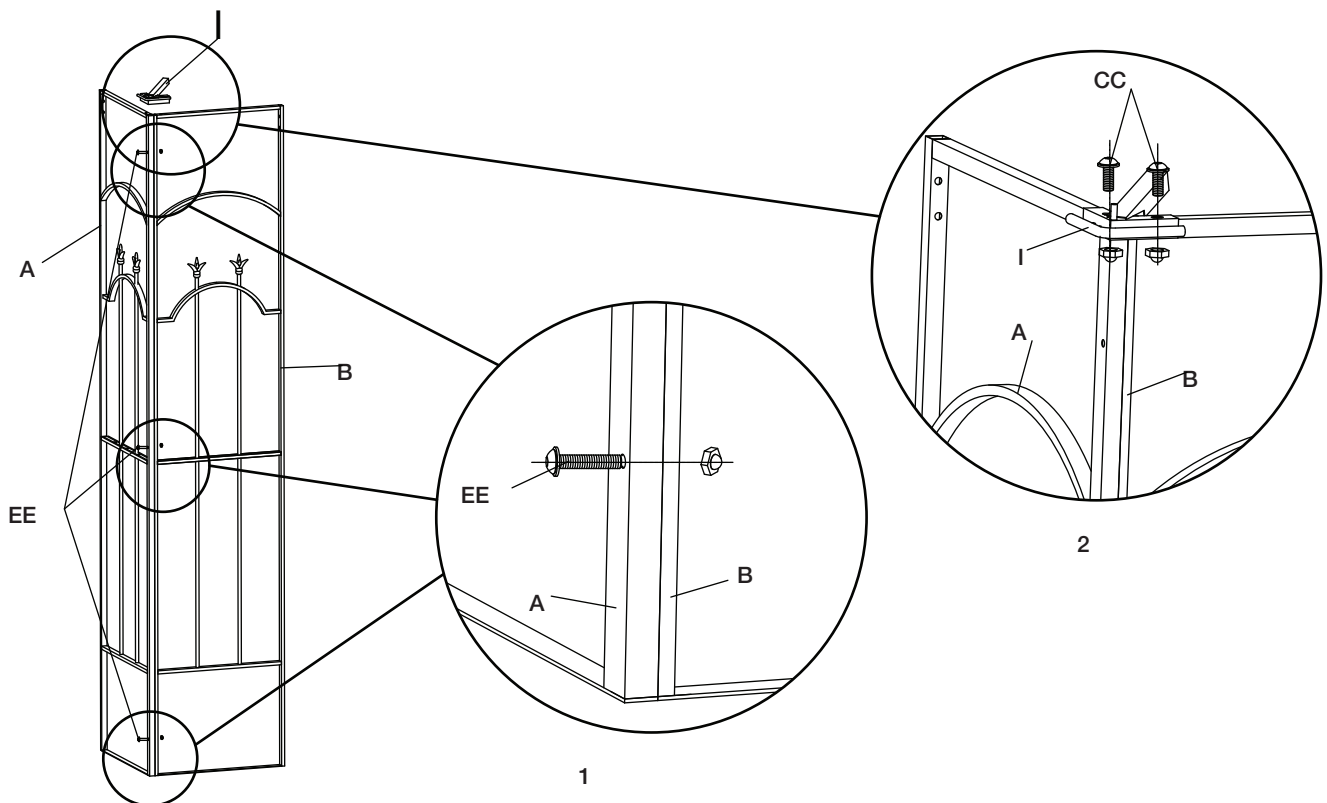
Assembly

1 Assembling the corner panels

- Connect the panels (A and B) by lining up the labels near the top, middle, and bottom of the panels and connecting them with M6x35 combination bolts and nuts (EE).
- Repeat for the remaining sets of panels (A and B).
- Secure the four corner connectors (I) onto the top corners of the assembled panels (A and B) with M6x20 combination bolts and nuts (CC).



NOTE: Loosely tighten the bolts.



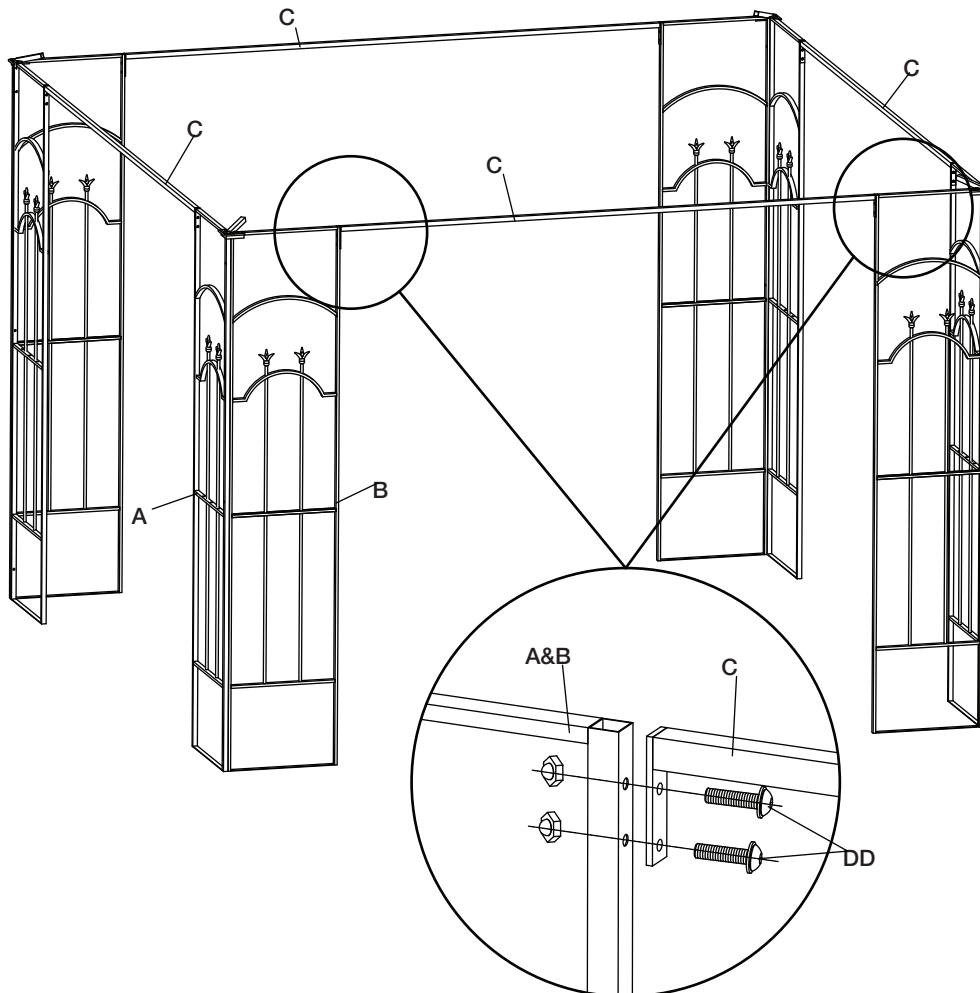
Assembly (continued)

2 Connecting the corner panels

- Line up the two holes on the two ends of the beam (C) with the corresponding bolt holes on the side tubes of panels (A and B). Attach the panels to the beam (C) using M6x30 combination bolts and nuts (DD).
- Repeat for the remaining three beams (C).



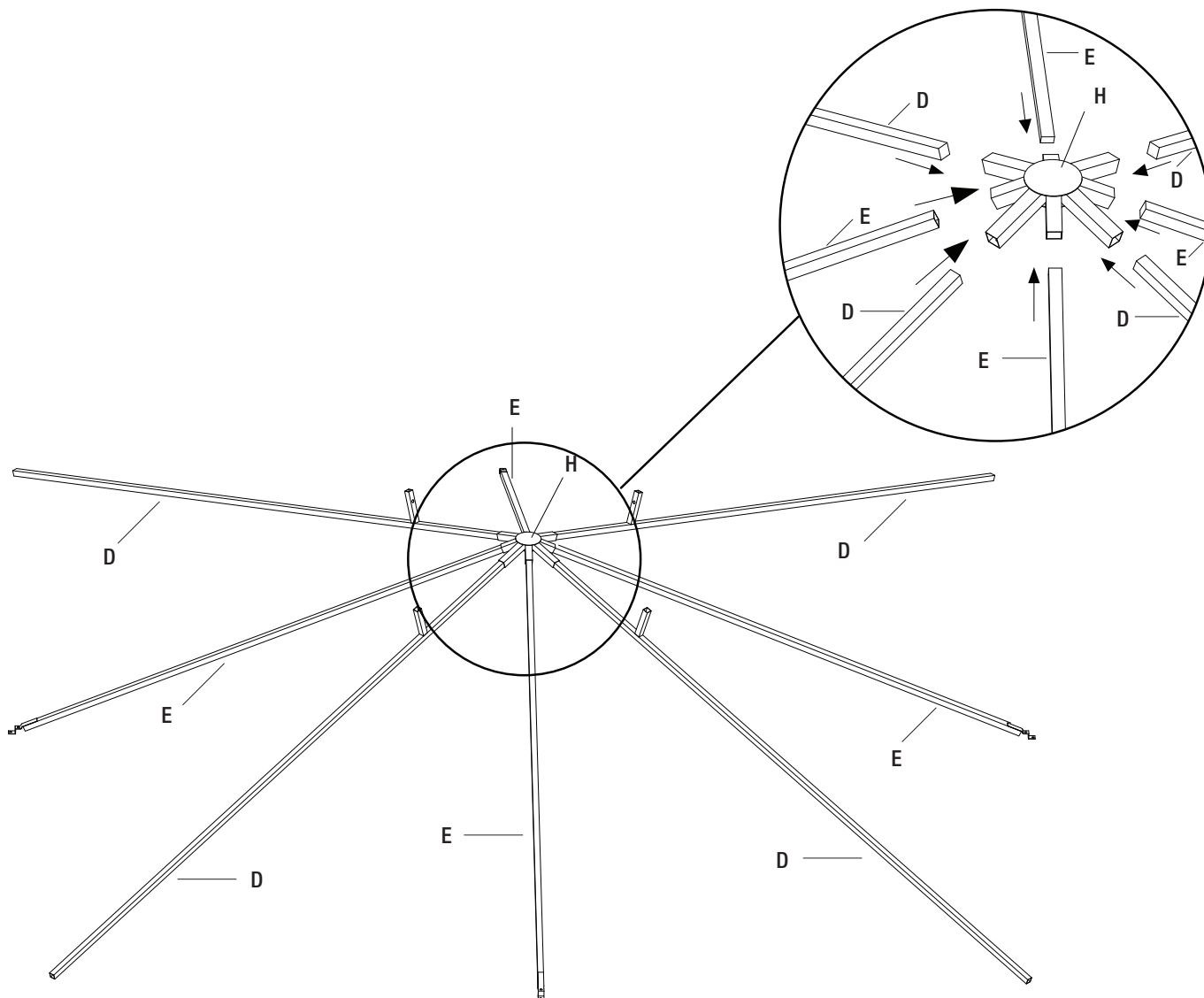
NOTE: Loosely tighten the bolts.



Assembly (continued)

3 Assembling the canopy

- Insert the four canopy spokes (D) into the four long tubes of the lower canopy hub (H).
- Insert the four canopy frames (E) into the four short tubes of the lower canopy hub (H).
- Make sure all push pins are in place.



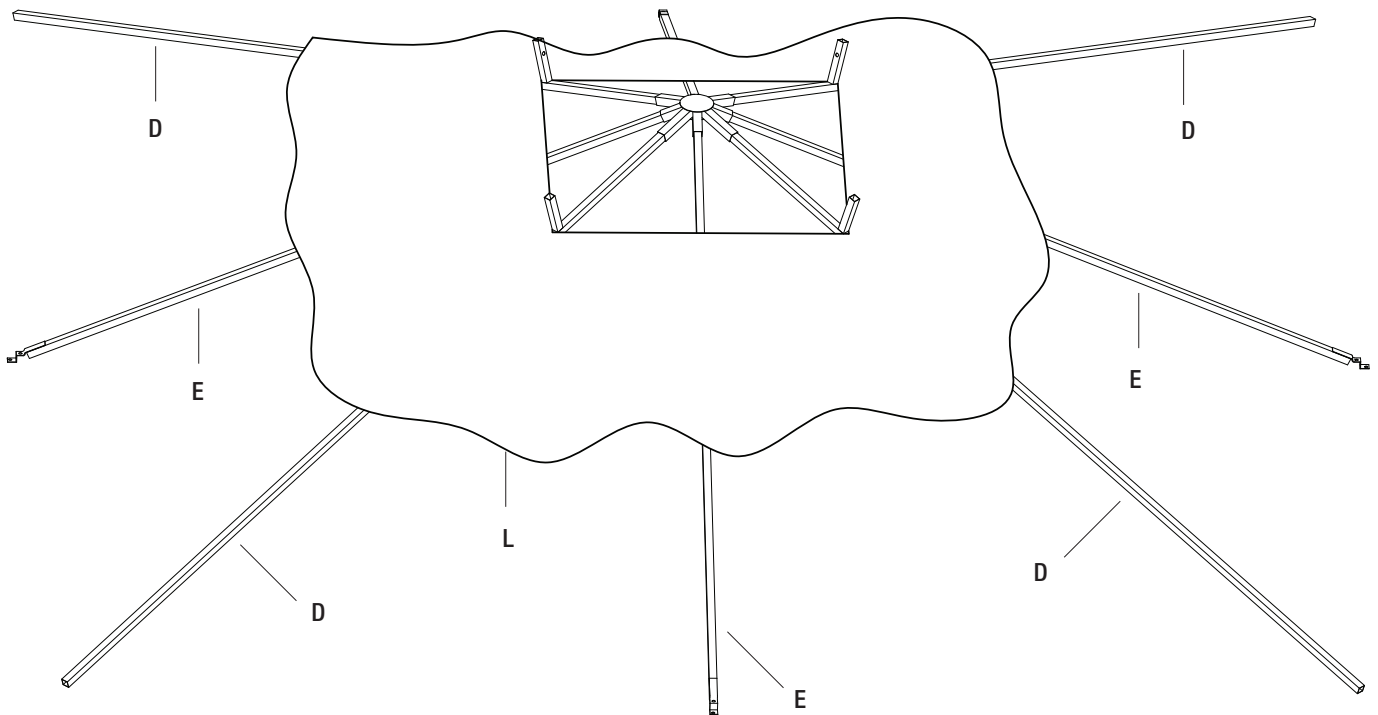
Assembly (continued)

4 Placing the large fabric cover

- Place the large fabric cover (L) loosely on top of the assembled frame.



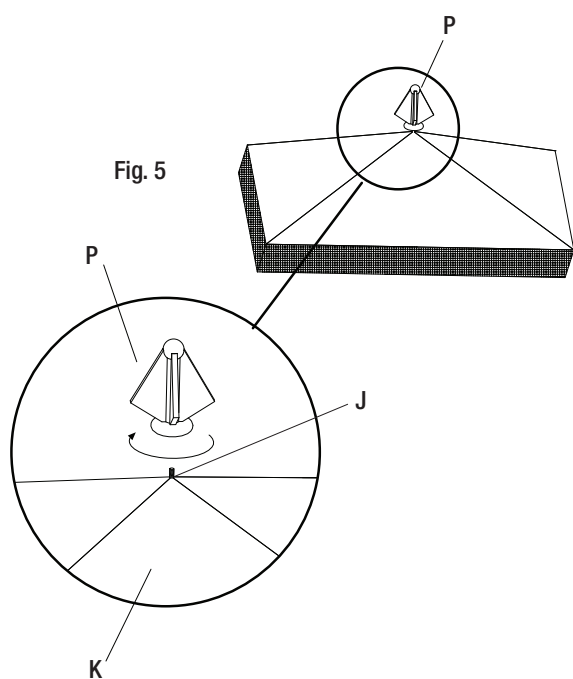
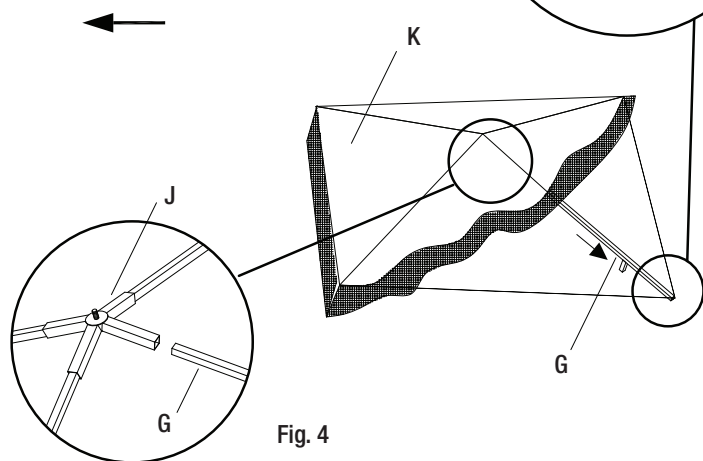
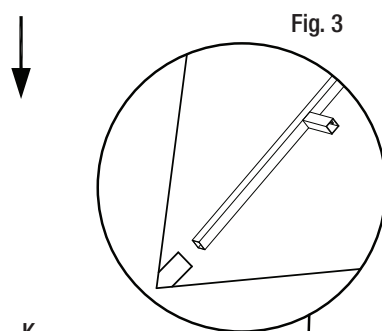
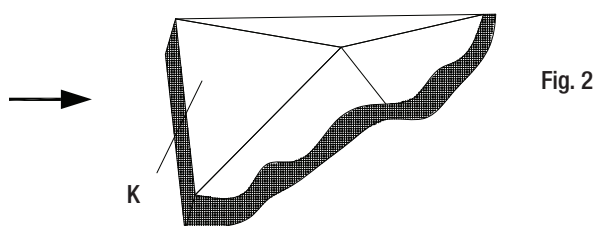
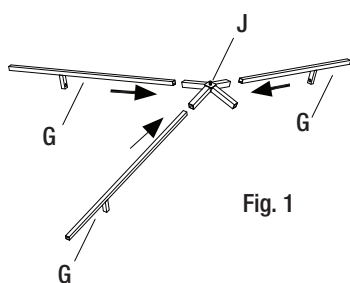
NOTE: Do not fully extend the fabric cover.



Assembly (continued)

5 Assembling the small canopy

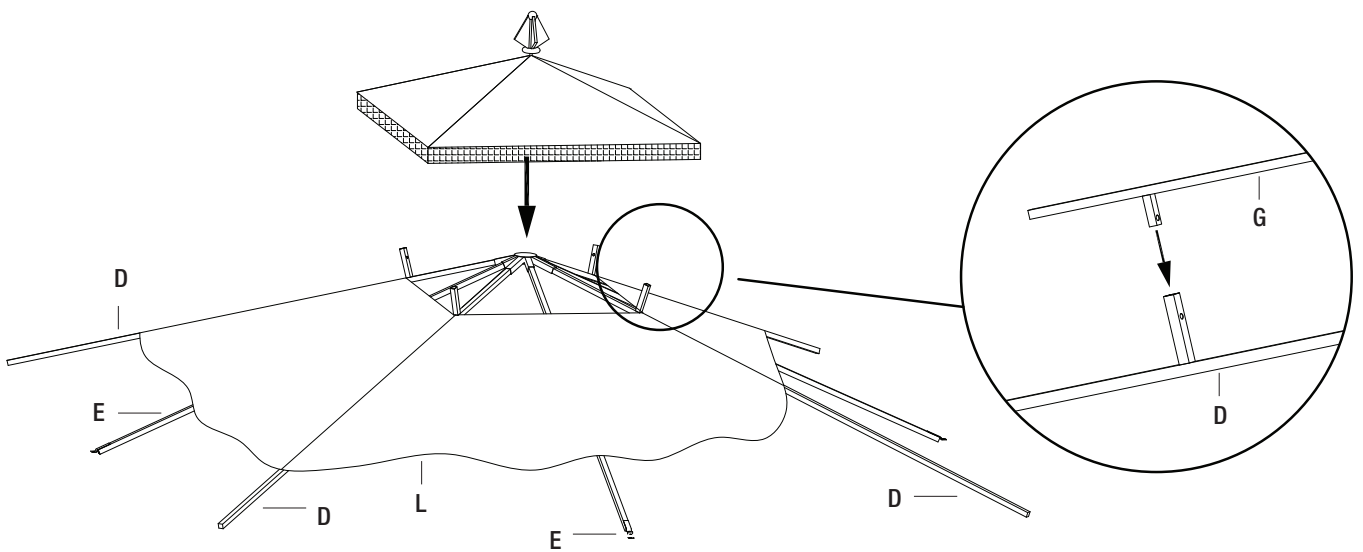
- Insert the three short canopy spokes (G) into the upper canopy hub (J). See figure 1.
- Install the small fabric cover (K) on the three short canopy spokes (G), and pull the three corresponding pouches of the small fabric cover (K) onto the ends of the three short canopy spokes (G). See figure 2.
- Pull the remaining pouch of the small fabric cover (K) onto the end of the remaining short canopy spoke (G). See figure 3.
- Insert the remaining short canopy spoke (G) into the upper canopy hub (J). See figure 4.
- Ensure all snap buttons are in place. Screw the top arrow (P) onto the upper canopy hub (J). See figure 5.



Assembly (continued)

6 Attaching the small canopy

- Attach the four short canopy spokes (G) to each of the regular canopy spokes (D) by inserting the connecting peices of (G) into (D). Ensure all push pins are secure.



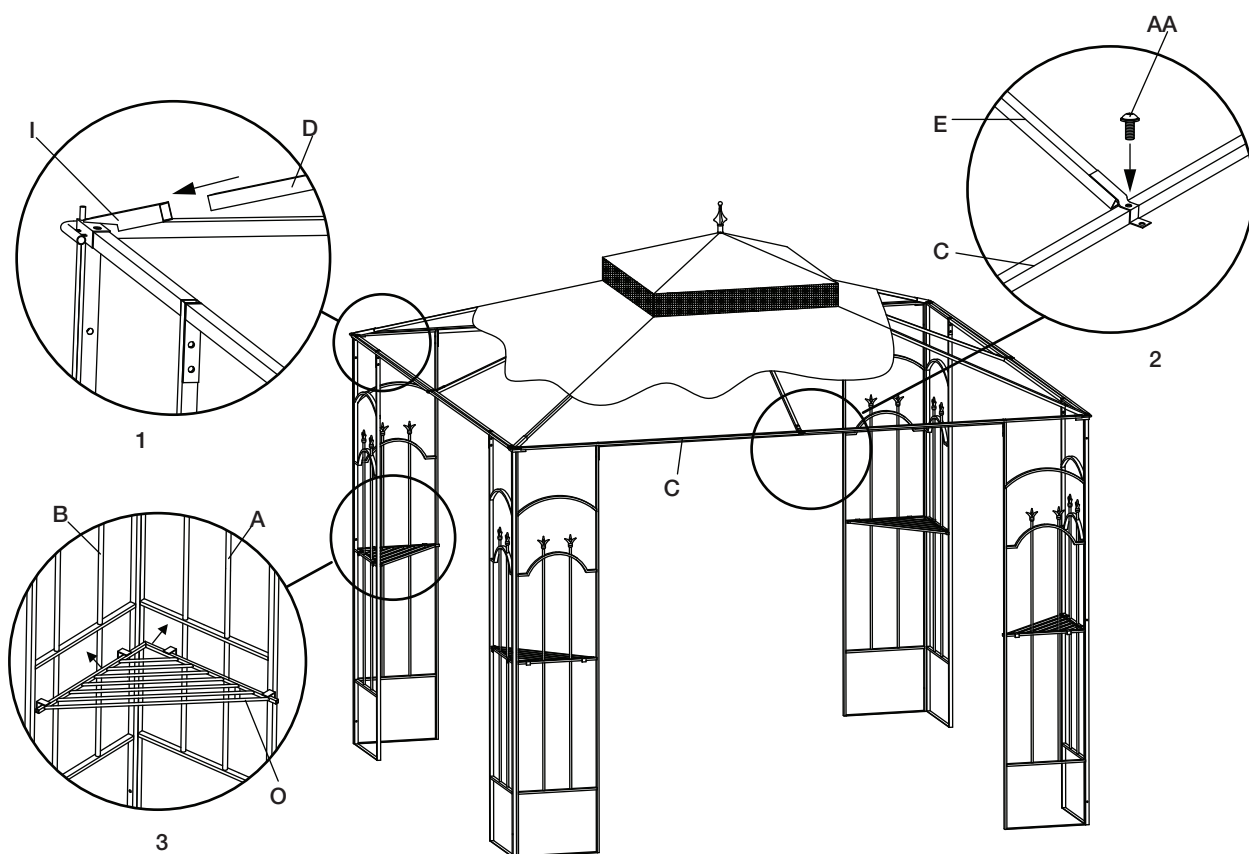
Assembly (continued)

7 Attaching the canopy to the top of the panel structure

- Place the structure assembled in step 6 on top of the assembled panel structure from step 2.
- Insert the four canopy spokes (D) into the four corner connectors (I). Ensure all push pins are in place.
- Secure the metal pieces on the ends of each canopy frames (E) onto the four beams (C) using M6x15 combination bolts (AA).
- Place the corner shelves (O) in the assembled panels.



NOTE: Loosely tighten the bolts.



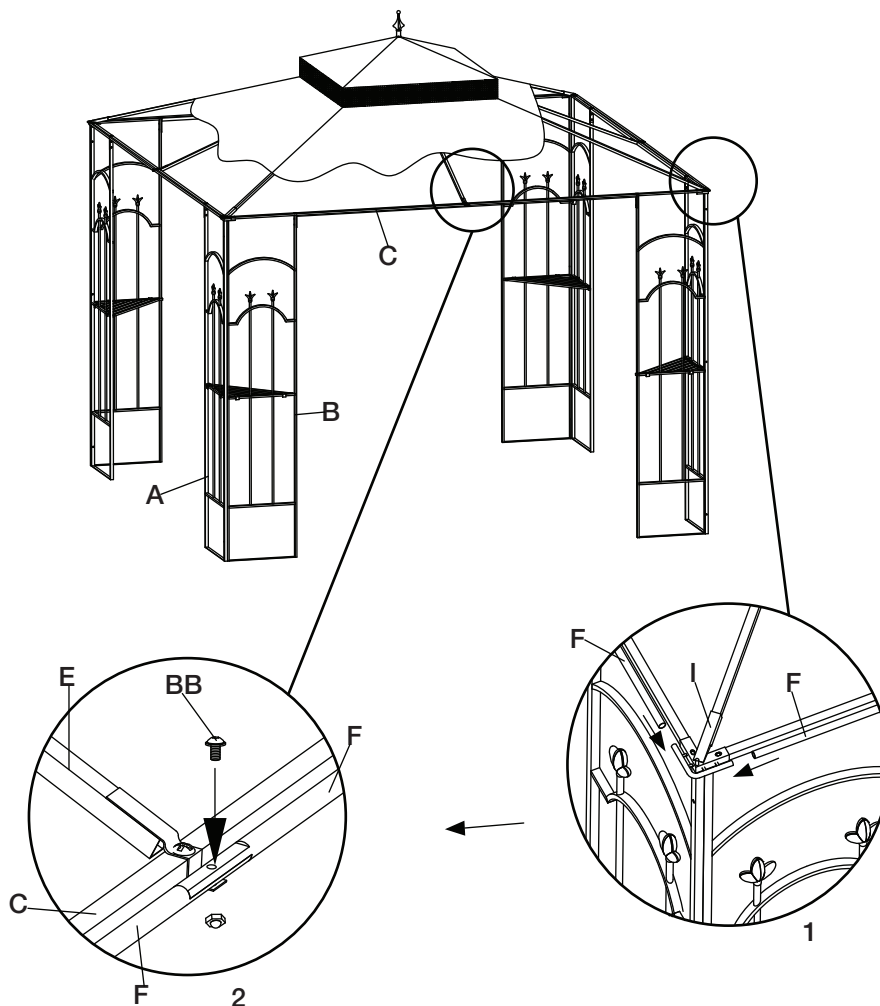
Assembly (continued)

8 Attaching the track tubes

- Connect the end of a track tube (F) to a corner connector (I).
- Insert the other end of the track tube (F) into the bracket on the end of the canopy frame (E), and secure them together by using M6x10 combination bolts and nuts (BB).
- Repeat step 8 for the remaining track tubes (F).



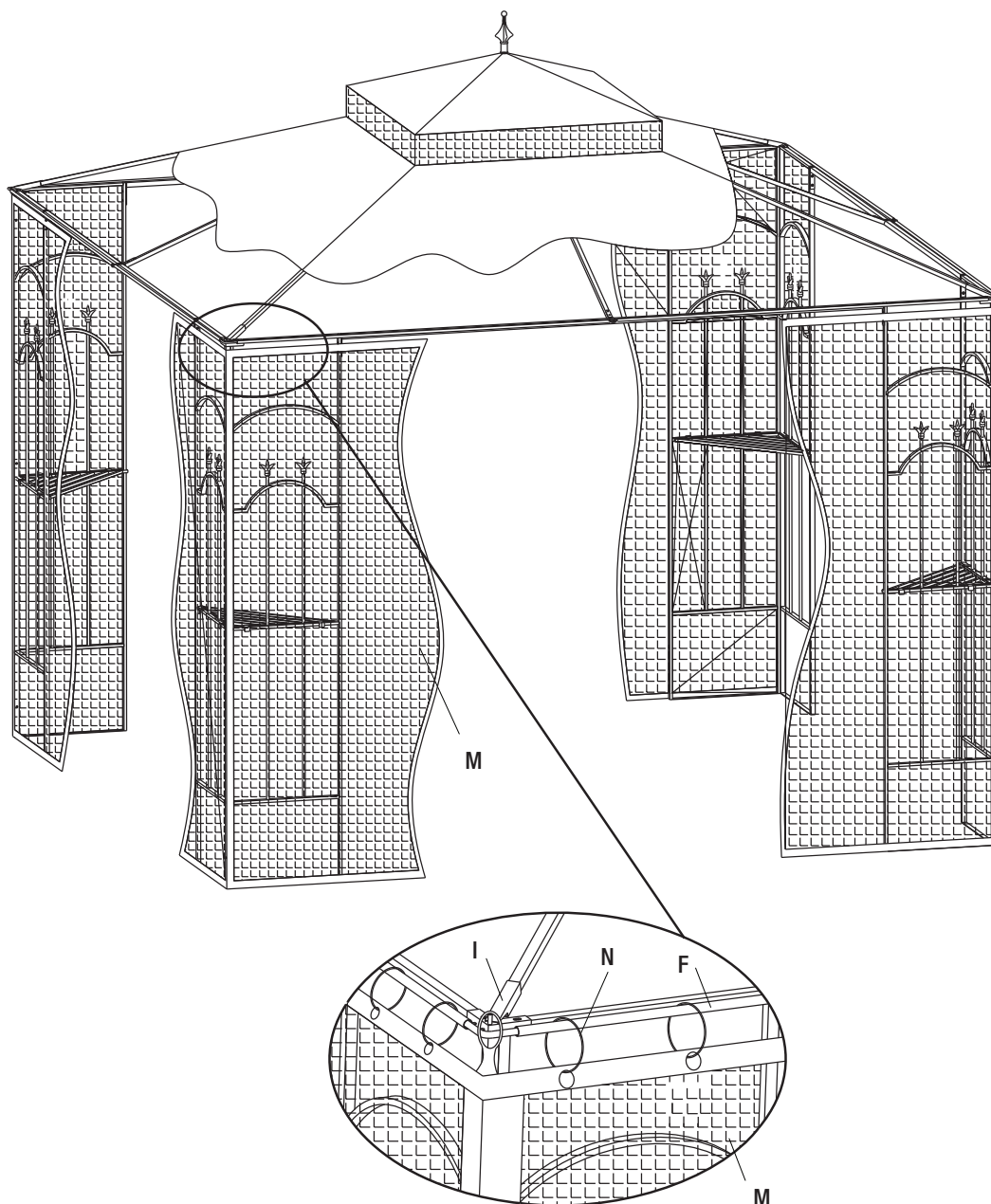
NOTE: You may opt to tighten all bolts now before the fabric cover is attached to the frame of the gazebo.



Assembly (continued)

9 Hanging the netting

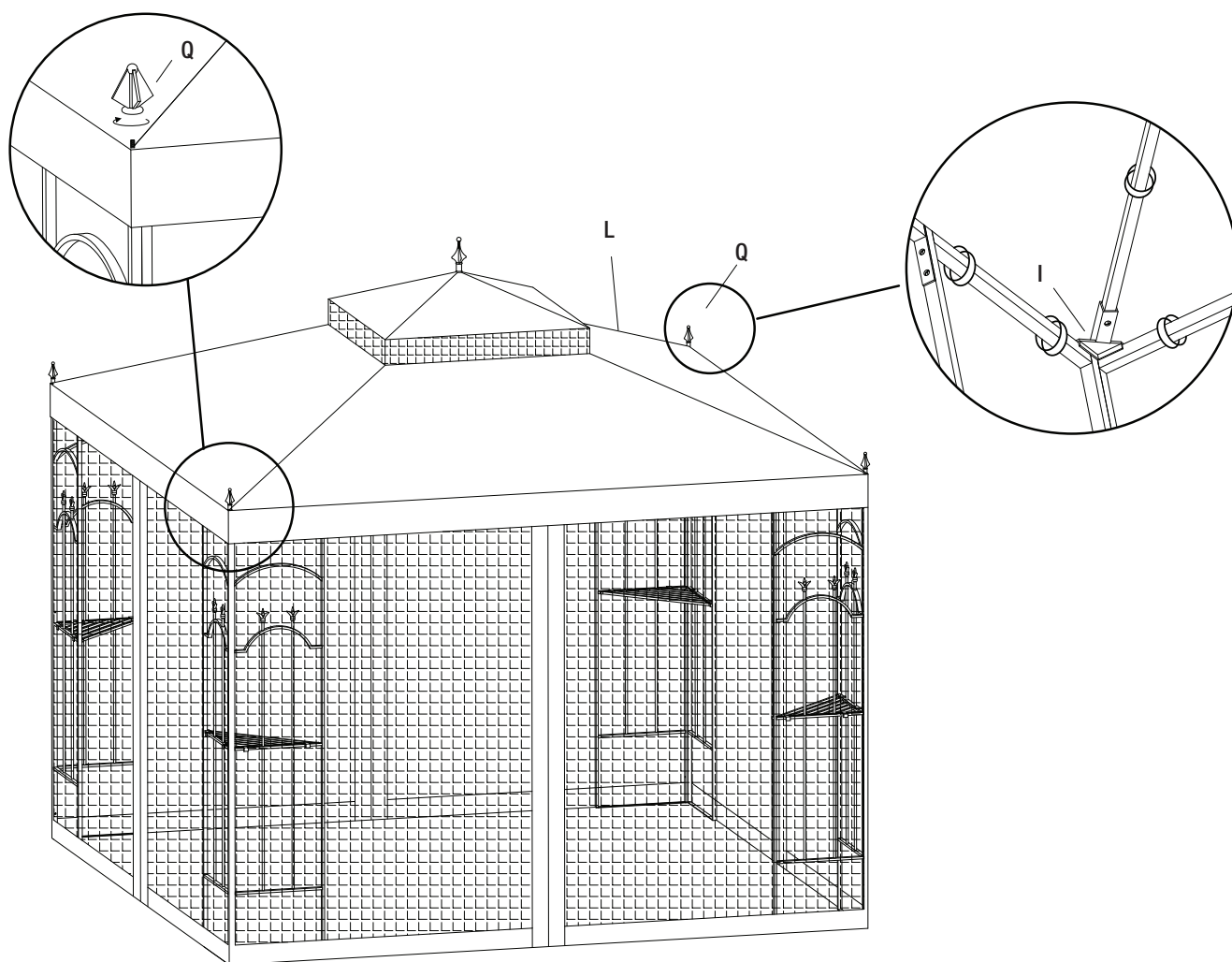
- Put up the nettings (M) onto the track tubes (F) using the plastic rings (N).
- Hang the fabric buckles in the middle of the nettings (M) onto the bolts of the corner connectors (I).



Assembly (continued)

10 Attaching the large fabric cover

- Pull the large fabric cover (L) onto the corner connectors (I).
- Attach all the velcro of the large fabric cover (L) on the top frames and the top bars of the panels (A and B).
- Screw the four corner arrows (Q) onto the four corner connectors (I).
- Once all bolts and nuts are in place, tighten all bolts completely.



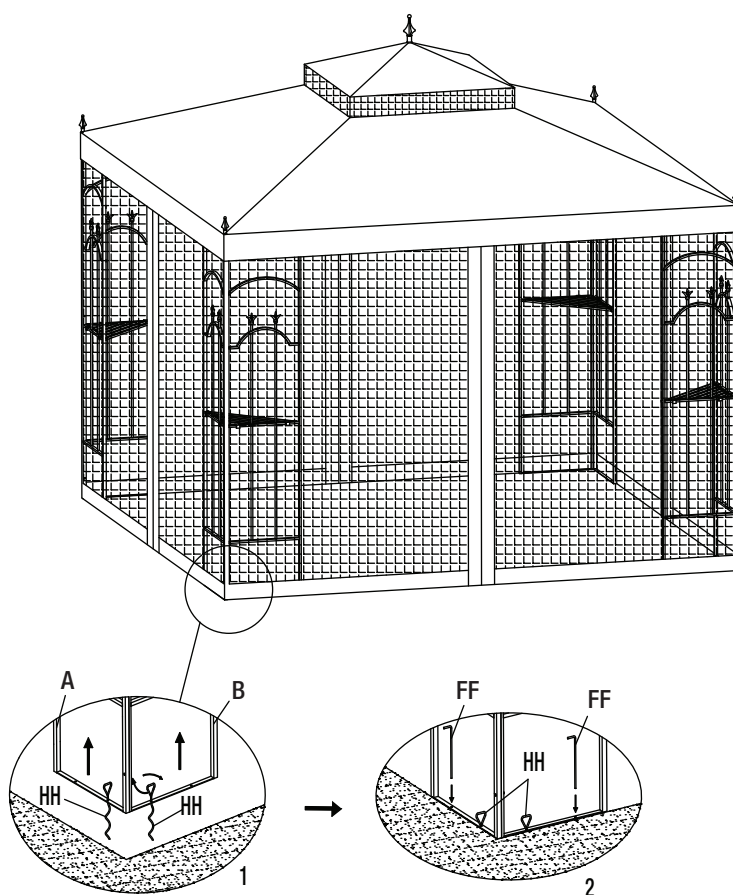
Assembly (continued)

11 Grounding the gazebo

- Slightly lift up the corners of the panels (A and B), and put the corkscrew ground spikes (HH) through the hole on the flat bars on the bottom of the panels (A and B). Twist the corkscrew ground spikes (HH) down while the panels are lifted up. Next, twist the corkscrew ground spike (HH) into the ground until the panels (A and B) are secure. Once the corkscrew ground spikes (HH) are secured, pound the ground spikes (FF) through the holes on the flat bars on the bottom of panels (A and B).



NOTE: You may opt to insert a ground spike (FF) through the loop in the corkscrew ground spike (HH) to assist in twisting the corkscrew ground spike (HH) into the ground.



Care and Cleaning

- For the best results, clean the frame and fabric with a damp cloth and dry thoroughly. This will help prevent mildew by removing dirt particles that may accumulate.
- Do not clean with abrasive materials, bleach, or solvents.
- Store the gazebo in a dry, sheltered place when not in use.
- Keep the gazebo away from fire, extreme heat, freezing conditions, and inclement weather such as rain, hail, sleet, snow, or wind.

HAMPTON BAY®

Questions, problems, missing parts? Before returning to the store,
call Hampton Bay Customer Service.
8 a.m. - 7 p.m., EST, Monday - Friday, 9 a.m. - 6 p.m., EST, Saturday

1-855-HD-HAMPTON

HAMPTONBAY.COM

Retain this manual for future use.