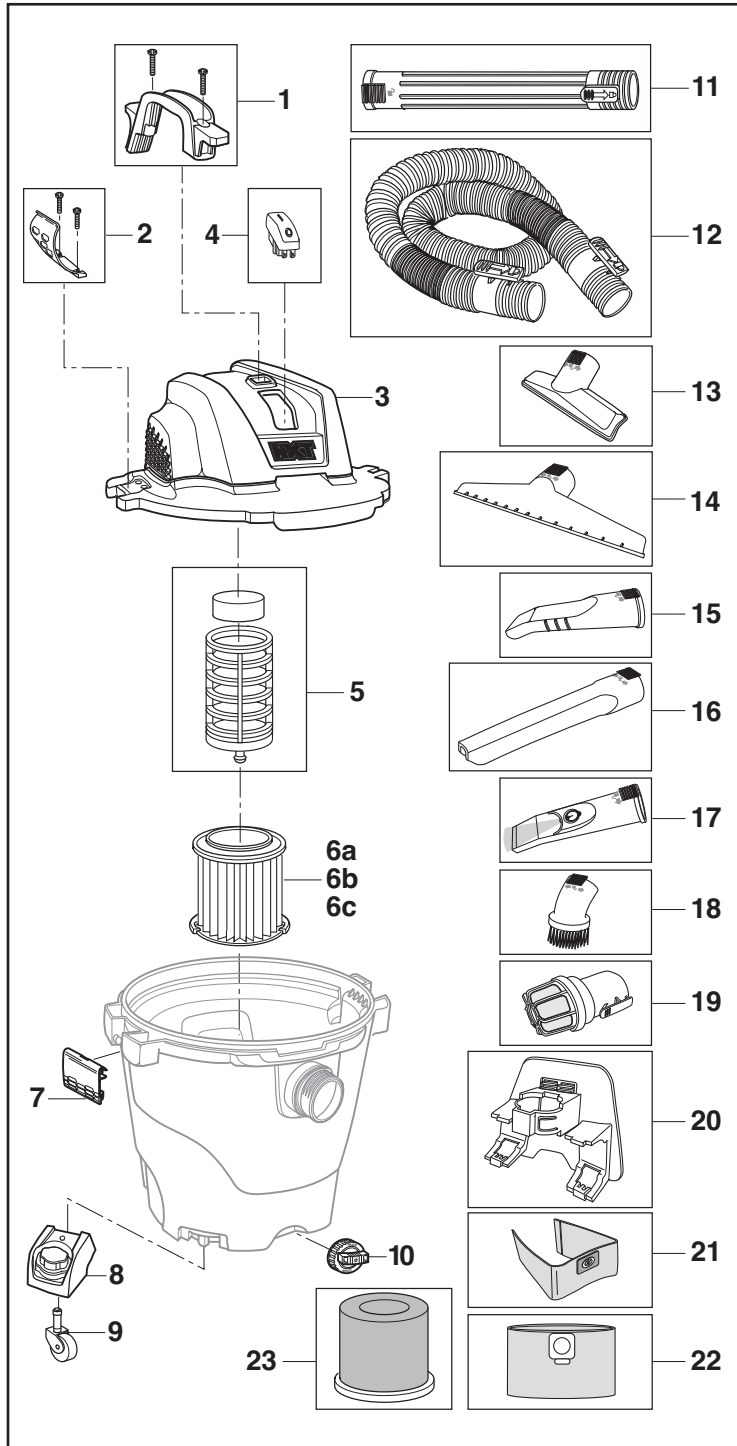


Model Number HD12000 12 U.S. Gallon (45 Liter) Wet/Dry Vac

Always order by Part Number - Not by Key Number



Key Nos.	12 Gallon HD12000 Part Numbers	Description
1	510625	Carry Handle w/Hardware
2	510667	Hose Storage Clip w/Hardware
3	510666	Powerhead Assembly (Includes Key No. 3, 4 & 5)
4	841650	Rocker Switch
5	510668	Filter Cage & Float
6a	VF4000	†Qwik Lock™ Filter
6b	VF5000	†Qwik Lock™ Fine Dust Filter
6c	VF6000	†Qwik Lock™ HEPA Media Filter
7	841700	Drum Latch
8	841561	Caster Foot w/Storage
9	73102	Caster (2" Diameter)
10	73185	Drain Cap
11	LA2508	†Extension Wand
12	LA2520	†Tug-A-Long Positive Locking Hose w/Dual-Flex™
13	LA2509	†Utility Nozzle (2-1/2")
14	LA2510	†Wet Nozzle (2-1/2")
15	LA2503	Car Nozzle (2-1/2")
16	LA2502	†Crevice Tool (2-1/2")
17	LA2539	†Lighted Car Nozzle (2-1/2")
18	LA2501	†Dusting Brush (2-1/2")
19	LA2525	†Muffler Diffuser (2-1/2")
20	841803	Accessory Caddy
21	VF3502	†Dust Collection Bag
22	VF3602	†Premium Cyclonic Filter Bag with Locking Collar
23	VF7000	†Wet Filter

† These replacement parts are also available where you purchased your Vac.