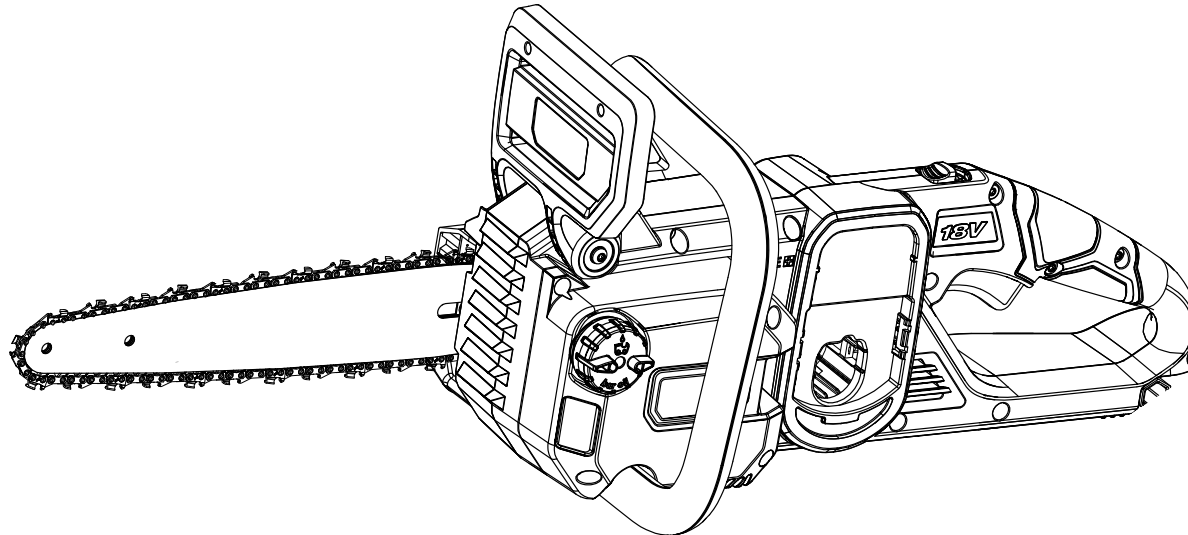


# REPAIR SHEET

BRAND <b>RYOBI</b>		DESCRIPTION <b>18 Volt Chainsaw</b>
MODEL NO. <b>P2507</b>	MFG. NO. <b>107758001</b>	

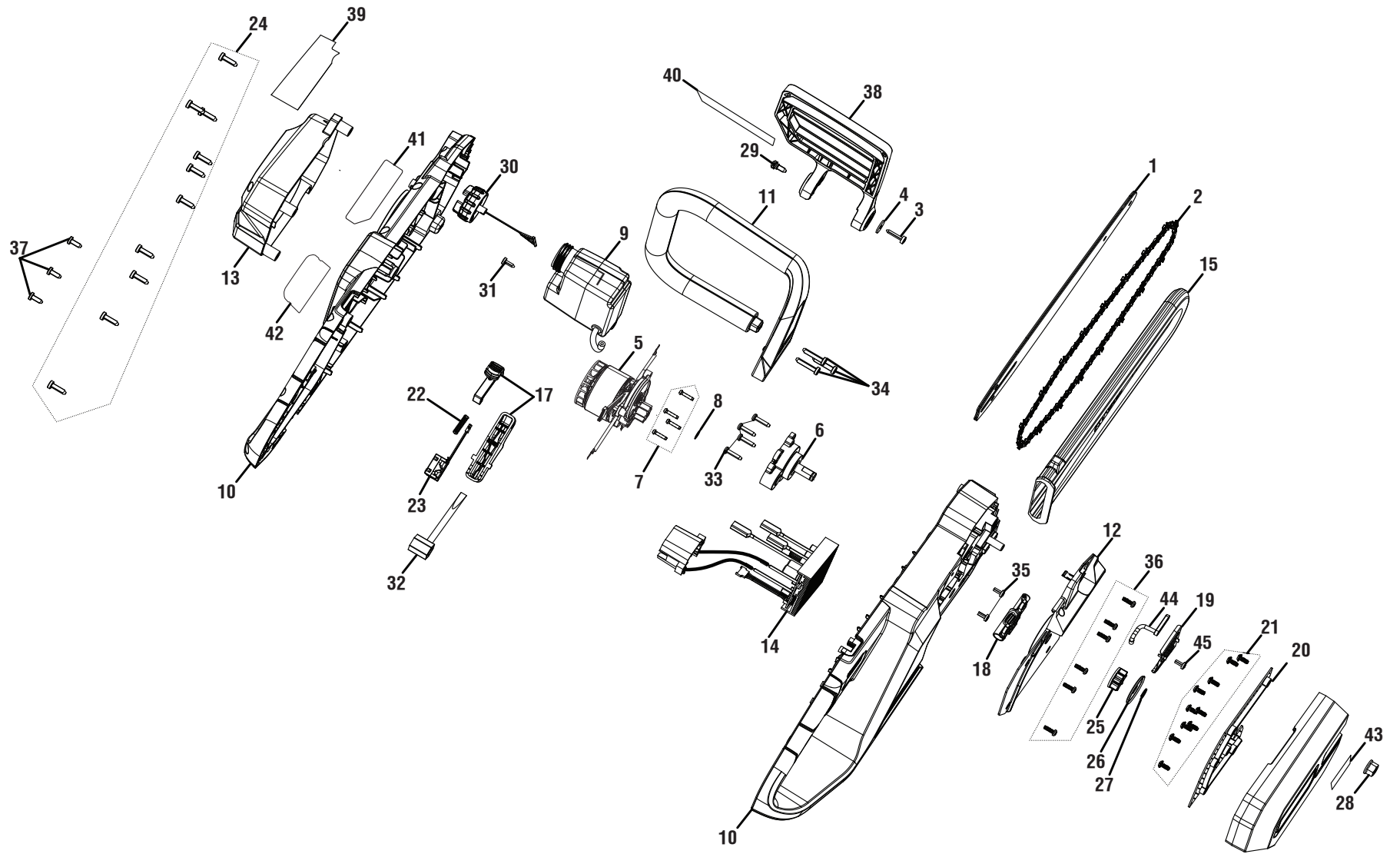


**TTI OUTDOOR POWER EQUIPMENT, INC.**

P.O. Box 1288, Anderson, SC 29622 ■ 1-800-525-2579 ■ [www.ryobitools.com](http://www.ryobitools.com)

1-7-22 (Rev:01)

*The model number and manufacturing location will be found on a label attached to the product. Always mention this information in all communications regarding this product and when ordering parts.*



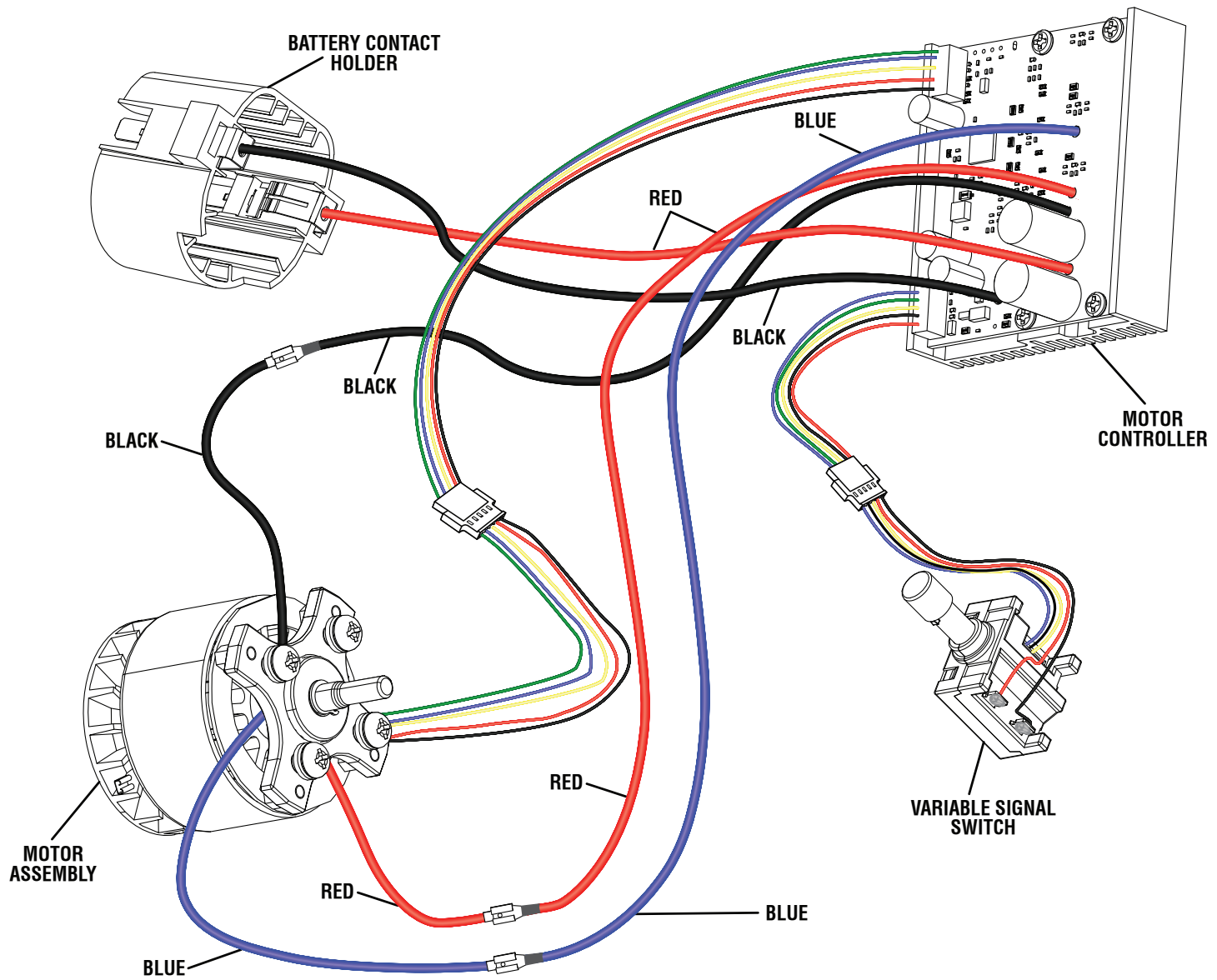


P2507

PARTS LIST

KEY NO.	PART NO.	DESCRIPTION	QTY.
1	318310001	12 in. Bar	1
2	682598001	12 in. Chain	1
3	660608005	Screw (M4 x 21 mm, T20 Torx Pan Hd.)	1
4	638988001	Washer	1
5	205682001	Motor Assembly	1
6	312242003	Gear Box, Output Gear and Shaft Assembly	1
7	660211020	Screw (M4 x 15 mm, Pan Hd.)	4
8	670914001	Washer (ID6.2 x OD11 x 0.3t)	1
9	312243002	Oil Tank and Input Tube Assembly	1
10	205683001	Housing Assembly (Inc. Key No. 42)	1
11	544887001	Front Handle	1
12	544888001	Brake Band Cover	1
13	205686001	Motor Cover Assembly (Inc. Key Nos. 39 & 41)	1
14	318368001	Motor Controller and Battery Holder Assembly	1
15	580974001	Scabbard	1
16	205684001	Sprocket Cover Assembly (Inc. Key No. 43)	1
17	205685001	Trigger Assembly	1
18	309514001	Oil Pump Assembly	1
19	674353001	Guard Bar Plate	1
20	545039001	Sprocket Cover Board	1
21	660922001	Screw (M4 x 10 mm, T20 Torx Pan Hd.)	10
22	694143001	Lock Spring	1
23	760652001	Variable Signal Switch	1
24	662051003	Screw (#10-14 x .708 mm, T25 Torx Pan Hd. Double Thread)	10

KEY NO.	PART NO.	DESCRIPTION	QTY.
25	615229001	Sprocket	1
26	635367001	Cap Washer	1
27	636159001	E-Ring	1
28	678339003	Flange Nut	1
29	662113001	Screw (#10-14 x 0.559 mm, T25 Torx Pan Hd.Double Thread)	1
30	318371001	Oil Tank Cap Assembly	1
31	660608001	Screw (M4 x 12 mm, T20 Torx Pan Hd.)	1
32	612330001	Wrench	1
33	661189003	Screw (M4 x 18 mm, T20 Torx Pan Hd.)	4
34	662053002	Screw (#10-14 x 1.004 mm, T25 Torx Pan Hd.Double Thread)	3
35	660610001	Screw (M4 x 9.5 mm, T20 Torx Pan Hd.)	2
36	662083002	Screw (M4 x 12 mm, T20 Torx Pan Hd.)	6
37	662064002	Screw (#10-14 x .506 mm, T25 Torx Pan Hd.)	3
38	205687001	Front Guard Assembly (Inc. Key No. 40)	1
39	941588990	Danger Warning Label	1
40	941263116	Icon Label	1
41	941588987	QR Label	1
42	941588988	Data Label	1
43	941588989	Whisper Label	1
44	563438001	Oil Pump Outlet Tube	1
45	660608004	Screw (M4 x 12 mm, T20 Torx Pan Hd.)	1
	<b>Not Shown:</b>		
	998000673	Operator's Manual	



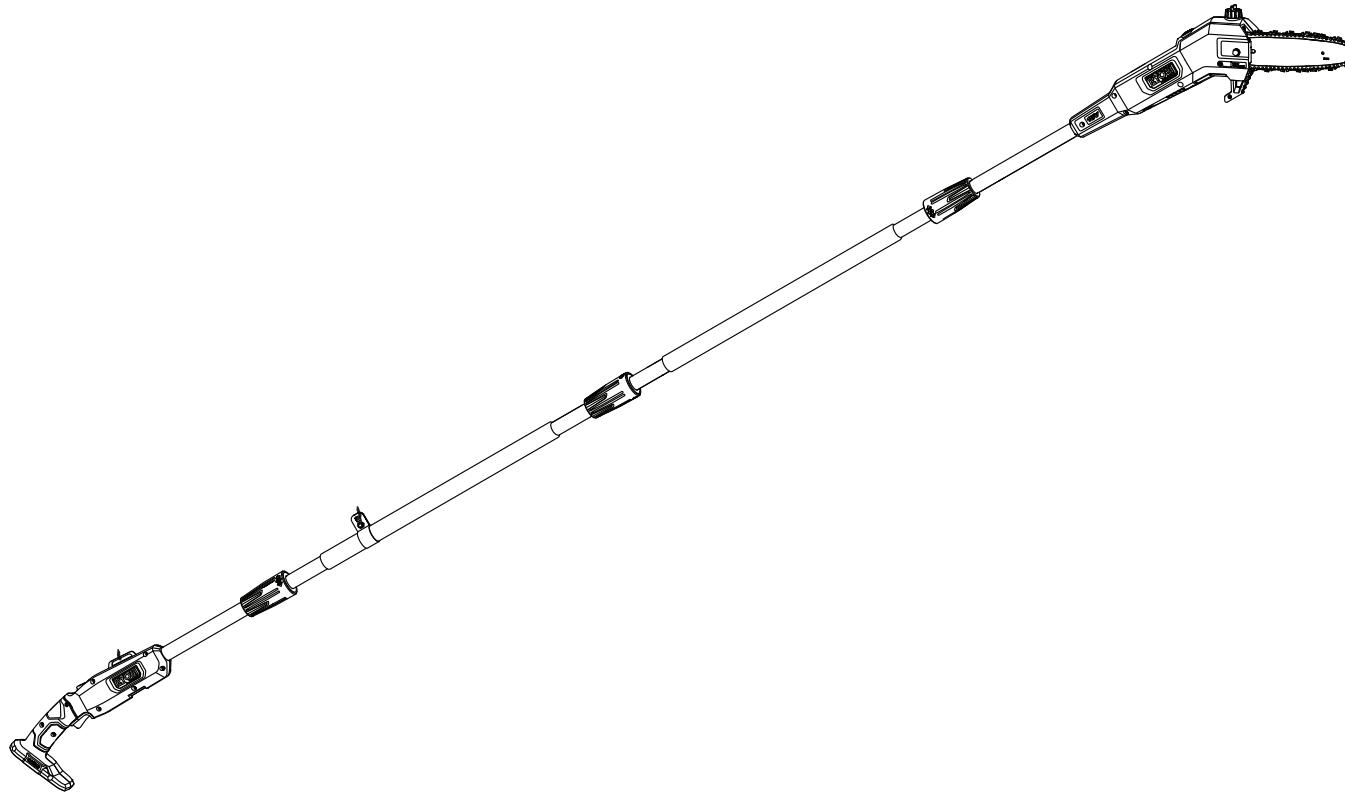
### WIRING DIAGRAM

# REPAIR SHEET

BRAND		<b>RYOBI</b>
MODEL NO.	MFG. NO.	
<b>P2508</b>	<b>107717001</b>	

DESCRIPTION

# 18 Volt Pole Saw



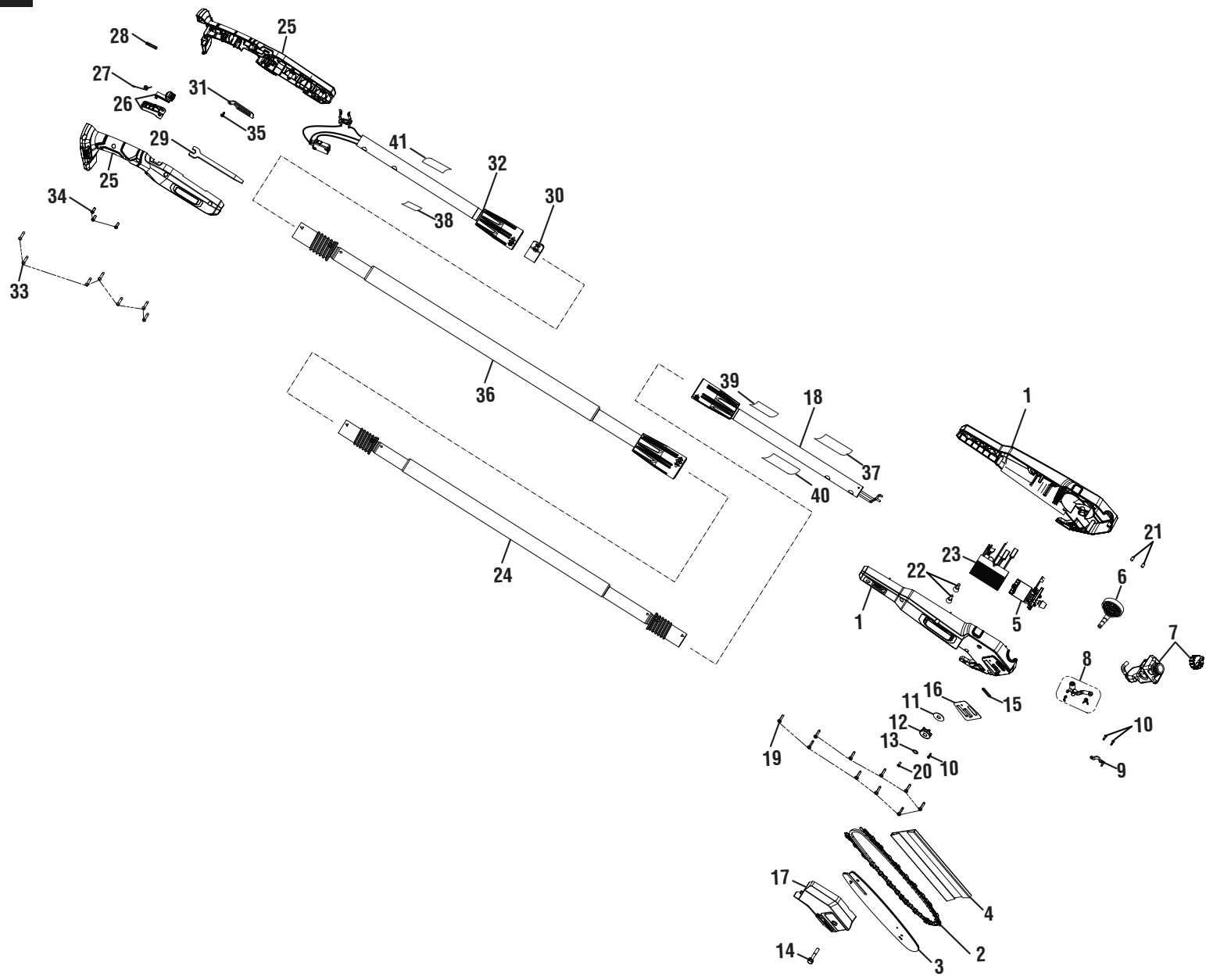
**TTI OUTDOOR POWER EQUIPMENT, INC.**

P.O. Box 1288, Anderson, SC 29622 ■ 1-800-525-2579 ■ [www.ryobitools.com](http://www.ryobitools.com)

1-21-22 (Rev:01)

*The model number and manufacturing location will be found on a label attached to the product. Always mention this information in all communications regarding this product and when ordering parts.*

# RYOBI P2508



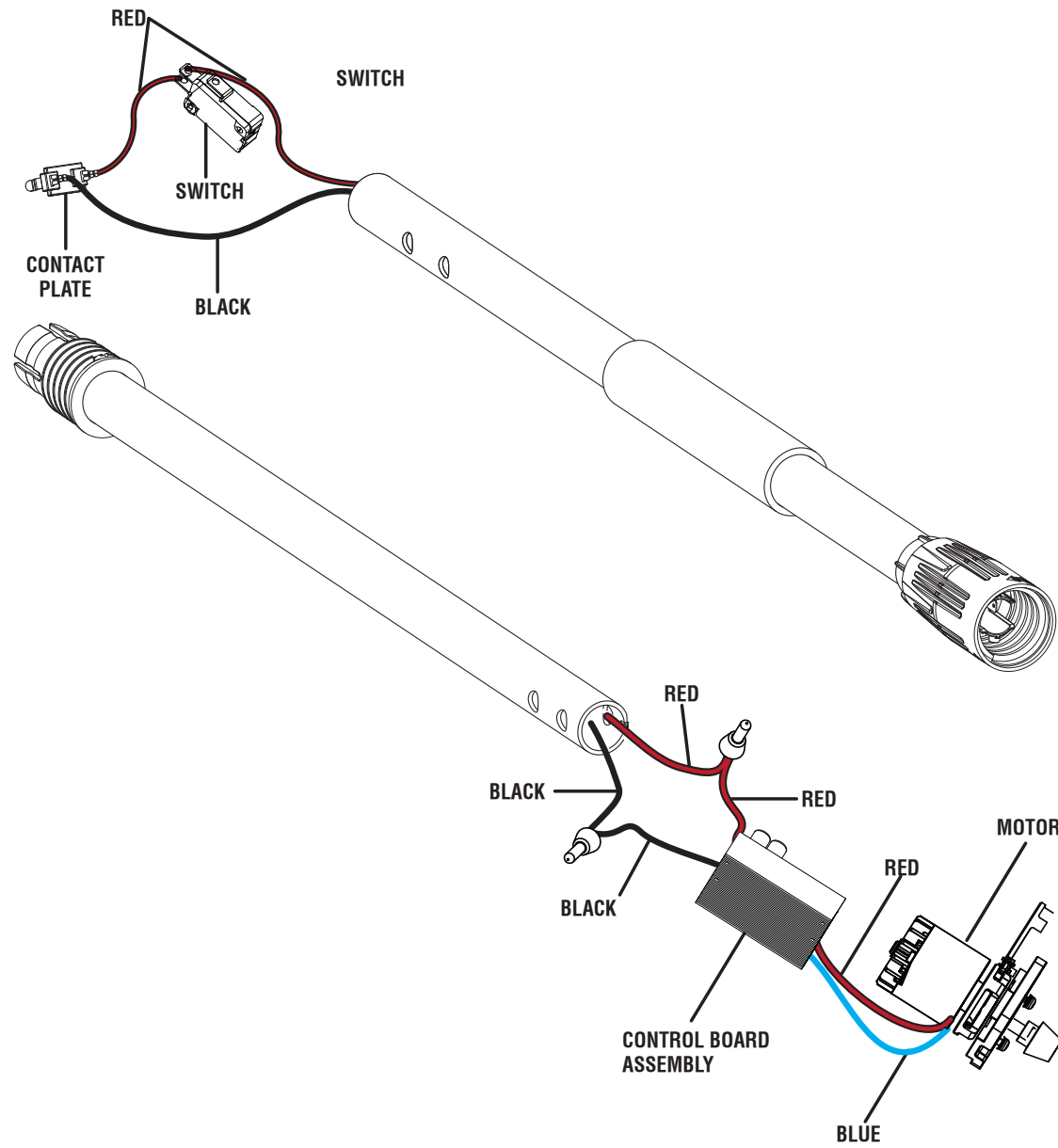


P2508

### PARTS LIST

KEY NO.	PART NO.	DESCRIPTION	QTY.
1	205817001	Housing Assembly	1
2	682502001	Chain	1
3	316670001	Guide Bar	1
4	518405002	Scabbard	1
5	318627001	Motor Assembly	1
6	318716001	Output Shaft Assembly	1
7	318628001	Oil Tank And Cap Assembly	1
8	312524001	Oil Pump Assembly	1
9	531003001	Oil Pump Clamp	1
10	660005006	Screw (M3 x 10 mm, Pan Hd.)	3
11	690733001	Cover Plate	1
12	610323001	Sprocket	1
13	670608002	Retaining Ring	1
14	663095001	Screw w/Spring Washer (M6 x 35 mm)	1
15	570820001	Seal Ring	1
16	634030002	Guide Bar Plate	1
17	318630001	Sprocket Cover Assembly	1
18	205816001	Upper Pole Assembly (Inc. Key Nos. 37 & 39-40)	1
19	661189003	Screw (M4 x 18 mm, T20 Torx Pan Hd.)	10
20	660923001	Screw (M3.5 x 8 mm, Pan Hd.)	1
21	560219003	Contact Plate Stopper	2
22	790021001	Close End Connector	2

KEY NO.	PART NO.	DESCRIPTION	QTY.
23	281335012	Motor Controller	1
24	318632001	Mandatory Boom Assembly	1
25	205818001	Handle Assembly	1
26	205819001	Trigger And Lock Off Assembly	1
27	679031001	Trigger Spring	1
28	694143001	Spring	1
29	639255002	Wrench	1
30	316769001	Clamp Assembly	1
31	634052001	Shoulder Strap Hook	1
32	205820001	Lower Pole Assembly (Inc. Key Nos. 38 & 41)	1
33	660024020	Screw (M4 x 18 mm, T20 Torx Pan Hd.)	7
34	660526001	Screw (M4 x 1.588 mm, T20 Torx Pan Hd.)	3
35	660960002	Screw (M3 x 8.5 mm, T10 Torx Pan Hd.)	1
36	318717001	Middle Pole Assembly	1
37	941097034	Warnings Label (Spanish / French)	1
38	941097035	QR Label	1
39	941097036	Data Label	1
40	941097040	Whisper Logo Label	1
41	941588713	Icon Danger Warning Label	1
	<b>Not Shown:</b>		
	998000770	Operator's Manual	



**WIRING DIAGRAM**