

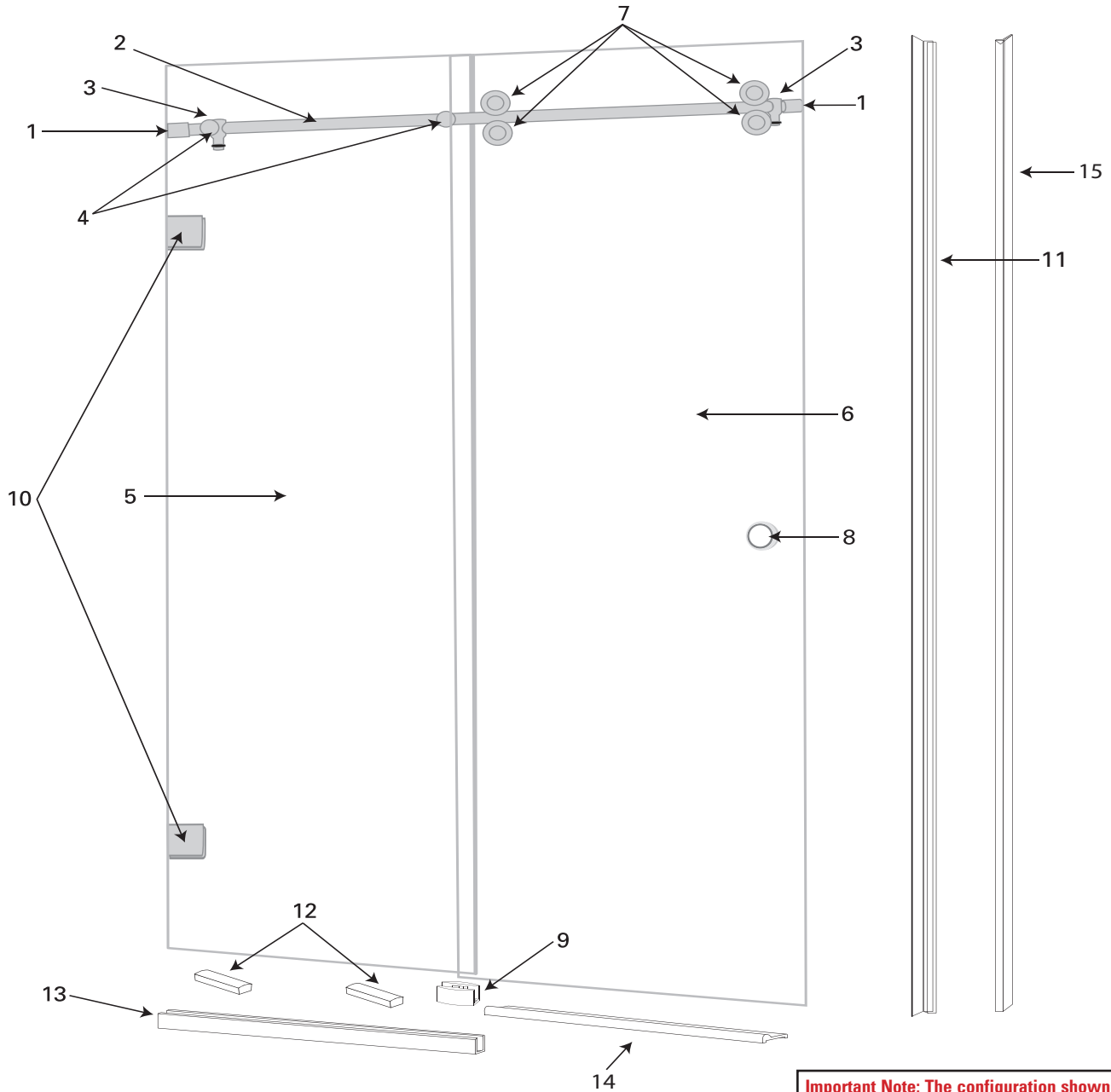
***Model 7800 / 8800  
Reversible Top Rail Enclosure  
Illustrated Installation  
Instructions***



**Quality.**

*"We Set The Standard."*

# Illustrated Parts Breakdown (IPB) Drawing Model 7800/8800



**Important Note:** The configuration shown in these Instructions may not match the configuration you have ordered. The location of the Panel and Door may need to be reversed to accommodate your specific requirements. Please install the Panels and Door according to the configuration you have specified in your order.

No. Qty	Part #	Part Description
#1	2	B3160 Wall Brackets
#2	1	R2000 1" Round Tube Rail
#3	2	R1000 Rail Stop
#4	2	C1250 Rail/Fixed Panel Clamps
#5	1	Glass Fixed Glass Panel
#6	1	Glass Sliding Door Panel
#7	4	W8140 Wheel Assemblies
#8	1	H9050 Hollow Door Pull
#9	1	G1300 Floor Guide
#10	2	C1200 Glass-to-Wall Clamp

No. Qty	Part #	Part Description
#11	1	P4095 Bi-Pass Splash Guard
#12	2	G5020 Setting Block
#13	1	A7274 U-Channel
#14	1	A7110 Dam Strip
#15	1	PCLS-98 Wall Polycarbonate
#16	1	Allen Wrenches

Congratulations on purchasing your new Cw® unit. In this instruction booklet we will walk you through the installation of your new Tub/Shower Enclosure.

**DO NOT REMOVE** your existing Tub/Shower Enclosure until you check that your new Tub/Shower Enclosure is the right size for your Tub/Shower Enclosure and that all the proper parts are in the box or hardware bag.

**Please read and understand these instructions in their entirety prior to assembly, operation and/or installation.**

- Improper handling of the tempered glass can cause the tempered glass to break.
- Do not set tempered glass directly on hard surfaces such as concrete, tile, porcelain, etc.
- At least two (2) people are recommended for the installation.

**CAUTION: Always wear gloves and safety goggles whenever drilling or cutting. (NOTE: Take extra care in handling frameless tempered glass Panels. The sharp corners of the Panels can damage tile and floor covering. Do NOT allow the Panels to strike the tub/tile or each other. Do NOT let the corners of the frameless glass Panels strike any hard surface, wall or floor. Tempered glass may be shattered in this manner.)**

**WARNING:**

Manufacturer is not responsible for any damage to the unit or personal property or personal injury caused by improper handling or installation. Disregarding these instructions will void your warranty and cause potential water damage in your home. Tempered glass cannot be cut. Install the Glass Rail Tub/Shower Enclosure on a surface that is level and able to accommodate the weight of the unit. Make sure your Tub/Shower Curb has at least a 3" minimum flat surface for installing this Door. Remember to ensure that there is sufficient structural support behind the shower wall to hold the weight of the Shower Door. If there is insufficient support, then reinforce the Shower walls with studs prior to Tub/Shower Enclosure installation. Please consult local building codes and compliance standards prior to installation and ensure conformity. Professional installation is recommended.

**PREPARATION:**

Before beginning assembly of product, make sure all parts are present. Compare parts with the checklist and package contents list (on Pages 3 and 4). If any parts are missing or damaged, do not attempt to assemble the product, and contact our Contractors Wardrobe® Customer Service Department with any questions or concerns you may have about this product at 661.257.1177.

**NOTE: If you ordered a custom unit, your parts may be different based on what you order.**

**NOTE: Check the following conditions of the Tub/Shower Curb prior to installation (See Figure 1).**

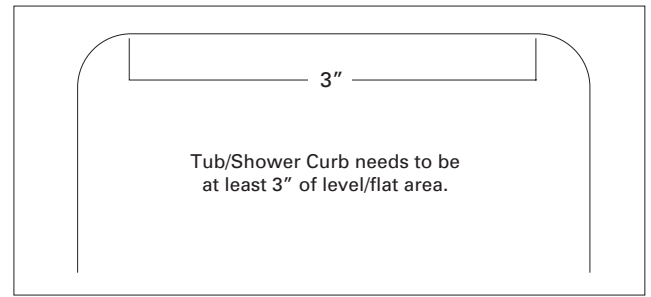


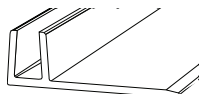
Figure 1

**NOTE: Do NOT use a razor blade to cut open the paper wrapping as you may scratch the contents.**

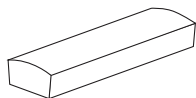
**PARTS CHECKLIST:**

No.	Qty.	Description	
#1	2	Wall Brackets	
#2	1	1" Round Tube Rail (Pre-assembled)	
#3	2	Rail Stops	
#4	2	Rail / Fixed Panel Clamps (Pre-assembled)	
#5	1	Fixed Glass Panel	
#6	1	Sliding Door Panel	
#7	4	Wheel Assemblies	
#8	1	Hollow Door Pull	
#9	1	Floor Guide	
#10	2	Glass-to-Wall Clamps	

#11 1 Bi-Pass Splash Guard



#12 2 Setting Blocks



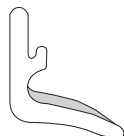
#13 1 U-Channel



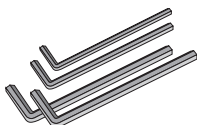
#14 1 Dam Strip



#15 1 Wall Polycarbonate



#16 1 Allen Wrenches



**NOTE:** The rail and hardware parts are nested inside a box with protective foam packaging (Parts #1, #2, #3, #4, #7, #8, #9, #10, and #16). The Rail Stops (#3) and Rail/Fixed Glass Panel Clamps (#4) have been pre-assembled on the 1" Round Tube Rail (#2) for your convenience.

**NOTE:** If you ordered a custom unit, your parts may be different based on what you ordered.

**TOOL CHECKLIST:**

In addition to parts supplied by Cw® you will also need:

- Phillips Screwdriver
- Level (preferably 18" or larger)
- Electric Drill
- 1/8" Drill Bit (for fiberglass stall)
- 3/16" Masonry Drill Bit (for tile stall)
- 7/64" Drill Bit
- 1/4" Carbide Drill Bit
- Fine File
- Miter Box and Hacksaw (with 32 Teeth/Inch Blade)
- Pliers
- Pencil
- Caulking Gun (with tube of Clear Tub/Tile Silicone)
- Tape Measure
- Safety Glasses and Gloves
- Scissors
- Duct Tape

### STEP 1 Removing Existing Shower Doors

After determining that your newly purchased Tub/Shower Enclosure is the correct size, remove the existing Tub/Shower Enclosure and all existing parts of that door assembly. Remove all screw anchors from the wall. Clean silicone sealant or Tub/Shower caulking and any other contaminants from Tub/Shower and wall surfaces.

### STEP 2 Suggested Configuration

**IMPORTANT:** If the unit has clear glass it is reversible and can be installed to the right or left side. The Mystique™ or patterned glass is not reversible, and the direction of installation is specific to the configuration purchased. The textured side of the Mystique™ or patterned tempered glass unit should always be installed on the outside of the unit.

**NOTE:** Views and directions given in these instructions - left, right, front, back, etc. - are from outside the enclosure, facing the tub/shower (see configuration diagram in Figure 2).

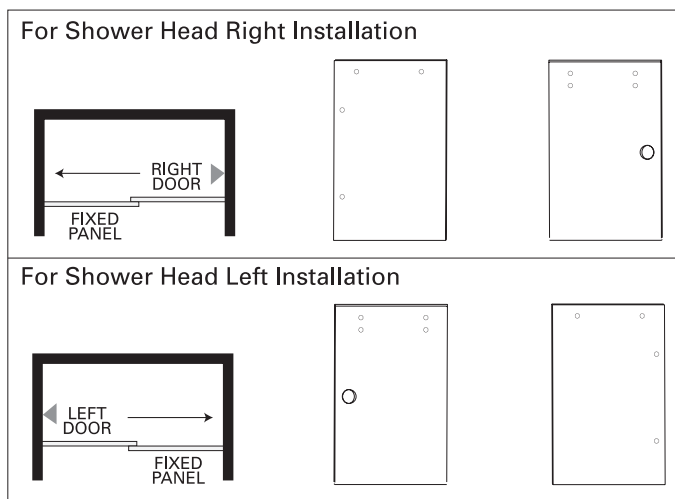


Figure 2

Ensure that there is sufficient structural support behind the Shower wall to hold the weight of the Shower Door. If there is insufficient support, then reinforce the Shower walls with studs prior to Tub/Shower Enclosure installation.

### STEP 3 Wheel Assembly Installation

Install two (2) Wheel Assemblies (#7) on the Sliding Door Panel (#6) using the two (2) top holes. Once they are installed, carefully place the Sliding Door Panel (#6) into the tub/shower enclosure, setting the tempered glass on protective material and not directly on a hard surface. Lean the tempered glass Door Panel against the tub/shower enclosure wall with the Wheel Assemblies (#7) facing outward (See Figure 3).

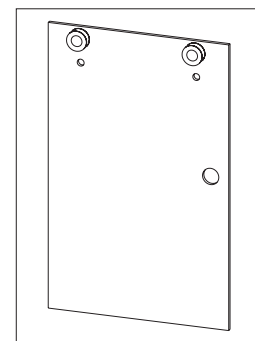


Figure 3

## STEP 4 Fixed Glass Panel Installation

**NOTE: One of the two (2) Rail Stops (#3) and one of the Wall Brackets (#1) have already been pre-assembled on the 1" Round Tube Rail (#2). However, you will need to adjust them later during the installation process.**

- A. First assemble the 1" Round Tube Rail (#2). Install the other Rail Stop (#3), then the Rail/Fixed Panel Clamps (#4) on the 1" Round Tube Rail (#2). Do not over-tighten the Rail/Fixed Panel Clamps (#4). Attach the second Wall Bracket (#1) to the other end of the 1" Round Tube Rail (#2).
- B. Attach the assembled Rail/Fixed Panel Clamp (#4) to the Fixed Panel (#5).
- C. Attach the Glass-to-Wall Clamp (#10) to the Fixed Glass Panel (#5) (See Figure 4).
- D. Insert Setting Blocks (#12) into the U-Channel (#13), 4" from each end.

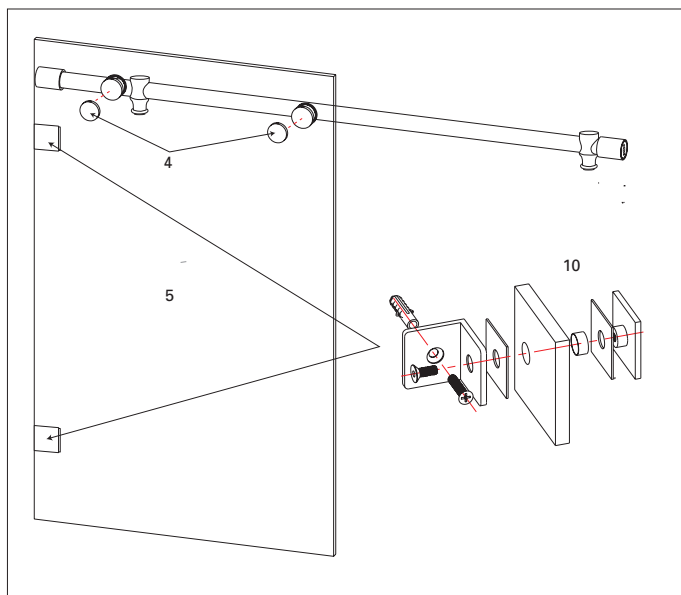


Figure 4

- E. Place U-Channel (#13) on tub/shower curb in desired location 3" from the inside of tub/shower (see Figure 5).

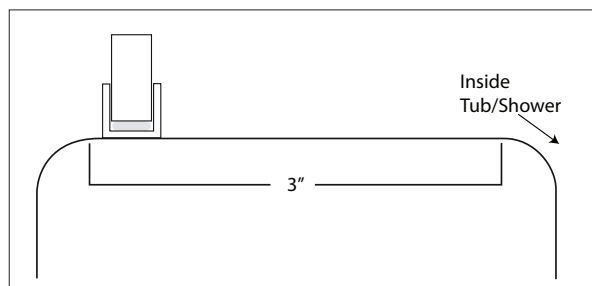


Figure 5

- F. Insert assembled Fixed Glass Panel (#5) into U-Channel (#13). Have pencil ready to mark hole positions.

- G. Make all necessary adjustments, ensuring the 1" Round Tube Rail (#2) is level and the Fixed Glass Panel (#5) is plumb.
- H. Mark the position of both the left and the right Wall Brackets (#1) drawing around the Wall Brackets (#1) then mark both Glass-to-Wall Clamp holes (#10) using your pencil (See Figure 6 and Figure 7).

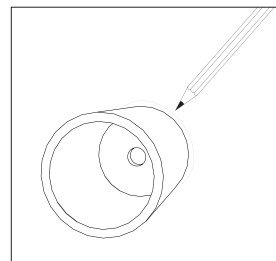


Figure 6

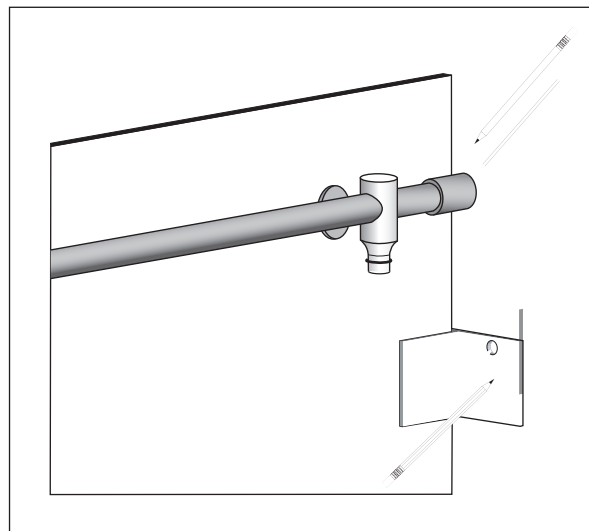


Figure 7

- I. Remove Fixed Glass Panel (#5), and set it out of the way on protective material.
- J. Take one (1) of the Wall Brackets (#1) with the threaded round mounting screw and place it over the round circle you drew when marking the Rail height. Mark the holes to drill on both sides of your tub/shower walls (See Figure 7).
- K. Drill holes for Wall Brackets (#1) and Glass-to-Wall Clamp (#10), and then insert the screw anchors. Mark the Glass-to-Wall Clamp holes (#10) using your pencil (see Figure 6 and Figure 7).
- L. Fasten the Wall Bracket (#1) male thread to the wall (see Figure 8).

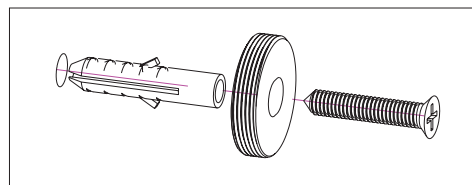


Figure 8

- M. Place Fixed Glass Panel (#5) in the U-Channel (#13) back in the designated position. You should apply silicone to the full length of the U-Channel (#13) to fill up approximately 1/4" of the inside of the U-Channel (#13) before placing the Fixed Glass Panel (#5) into it. Then slide the Wall Brackets (#1) on each 1" Round Tube Rail (#2).
- N. Attach Wall Brackets (#1) to male thread mounted to the wall. Then tighten with Allen Wrench (#16) (see Figure 9).

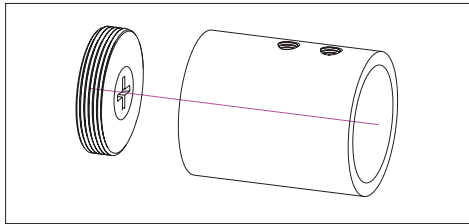


Figure 9

- O. Attach Glass-to-Wall Clamp (#10) to wall.
- P. Tighten the Rail/Fixed Panel Clamps (#4) ensuring that the Rail Stops (#3) are in their proper position. You can use the smallest Allen Wrench (#16) as a tightening tool by inserting it into the hole on the side of the Rail/Fixed Panel Clamp (#4).
- Q. With the Fixed Glass Panel (#5) now secured and in place, you can now apply silicone to the vertical wall and the bottom curb areas inside the tub/shower enclosure and outside to help prevent water leakage.

## STEP 5 Sliding Glass Door Installation

- A. Take the Floor Guide (#9) and make sure it is set to the proper glass thickness. Look on the bottom side and adjust if needed by pressing the black plastic out and rotating the notch into the proper spot based upon the glass thickness. For 5/16" thick glass use 8 and for 3/8" glass use 10. Then set it on the tub/shower curb next to the Fixed Glass Panel (#5) so you can reach it to mark the holes with the pencil as you set the Sliding Door Panel #6 (see Figure 10).

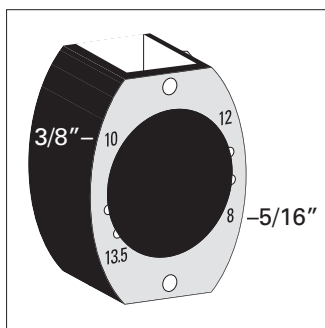


Figure 10

- B. Step into the tub/shower enclosure. Carefully lift the Sliding Door Panel (#6), and place the Wheel Assemblies (#7) onto the 1" Round Tube Rail (#2).
- C. Make sure the Sliding Door Panel (#6) is level and plumb.
- D. Slide the Floor Guide (#9) under the Sliding Door Panel (#6), mark the position and then remove Sliding Door Panel (#6) and carefully set it inside the tub/shower enclosure again (see Figure 11).

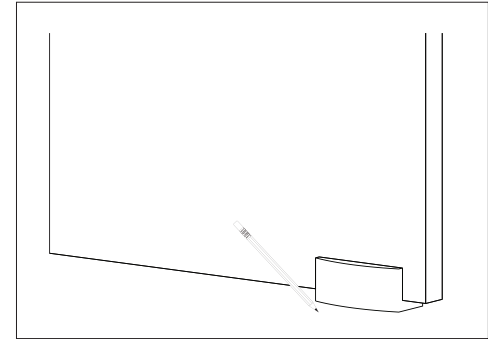


Figure 11

- E. **Option A:** Place the Floor Guide (#9) back on the marks you just made, then mark and drill the holes (see Figure 11). Apply silicone to the bottom of the Floor Guide (#9). Set into place, and secure with screws. Wipe excess silicone away.
- Option B:** To install the Floor Guide (#9) without using screws, apply silicone to bottom of the Floor Guide (#9). Use duct tape to hold in place until the silicone dries.
- F. Install the Sliding Door Panel (#6) on the rail, carefully setting the glass into the Floor Guide (#9). Install the two (2) Wheel Assemblies (#7) into place. This should be the bottom holes on the Sliding Door Panel (#6).
- G. Install the Dam Strip (#14). Remove the two-way tape and position the Dam Strip (#14) behind the U-Channel (#13) and butt it up to the wall (see Figure 12).

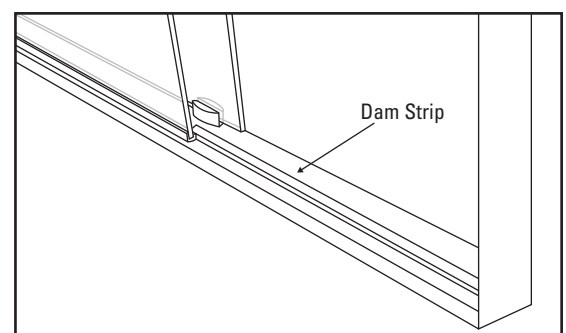


Figure 12

- H. Install the Hollow Door Pull (#8) on the Sliding Door Panel (#6).
- I. Adjust the two (2) Rail Stops (#3) to prevent the Sliding Door Panel (#6) from striking the walls. Use set screws in Rail Stops (#3) to fix them on the 1" Round Rail Tube (#2).
- J. Remove the two-way tape from Wall Polycarbonate (#15) and attach to the wall where Sliding Door Panel (#6) makes contact.
- K. Install the Bi-Pass Splash Guard (#11) to back edge of Sliding Door Panel (#6).

## **STEP 6 Use and Repair**

- A. The silicone should dry for twenty-four (24) hours before using the Tub/Shower.
- B. Do not open or close the Door with force as the Door can be easily damaged.
- C. Do not use acidic or alkaline cleaner or knife, otherwise it will damage the Tub/Shower.
- D. Clean and maintain frequently for any abnormal wear and tear or loose parts.

**Thank you for purchasing a Cw® Tub/Shower Enclosure. If you like this product, we invite you to visit our website at [www.CwDoor.com](http://www.CwDoor.com) for more information about our extensive line of Wardrobe Doors, Room Partitions and Loft Dividers, Cabinet Doors, and Shower Enclosures. They feature Duratuf® Tempered Safety Glass, Painted Glass, CwShield™ Protective Coating and Duraflect® Copper-Free Mirror.**