

RYOBI
18 Volt String Trimmer
Model Nos. P2003/P2004 and
P2003VNM (Mfg. No. 107938101)
Repair Sheet

TECHTRONIC INDUSTRIES POWER EQUIPMENT

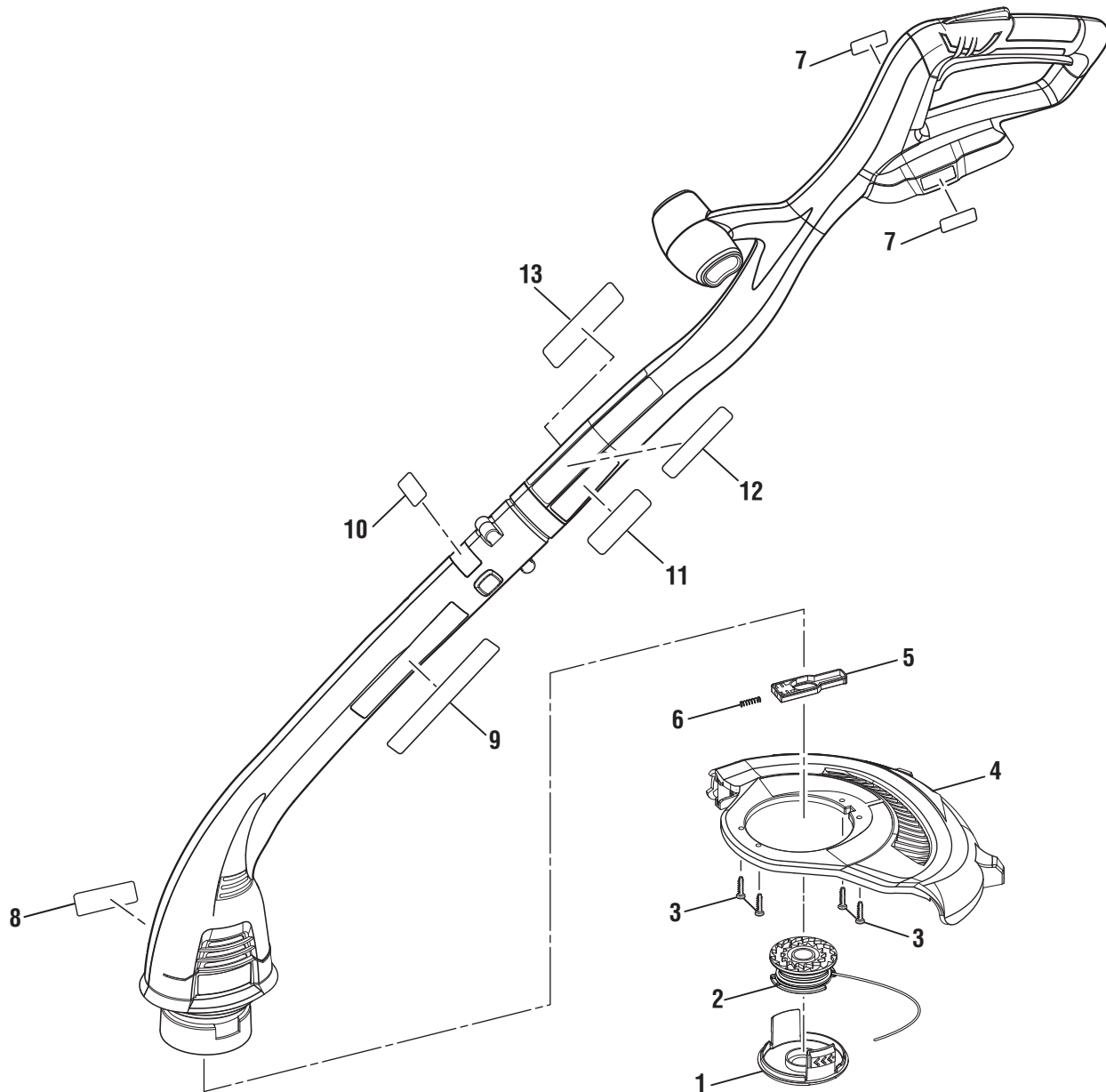
P.O. Box 1288, Anderson, SC 29622

Phone 1-800-860-4050

www.ryobitools.com

RYOBI P2003/P2003VNM 18 VOLT STRING TRIMMER

The model number will be found on a label attached to the motor housing. Always mention the model number in all correspondence regarding your **STRING TRIMMER** or when ordering replacement parts.

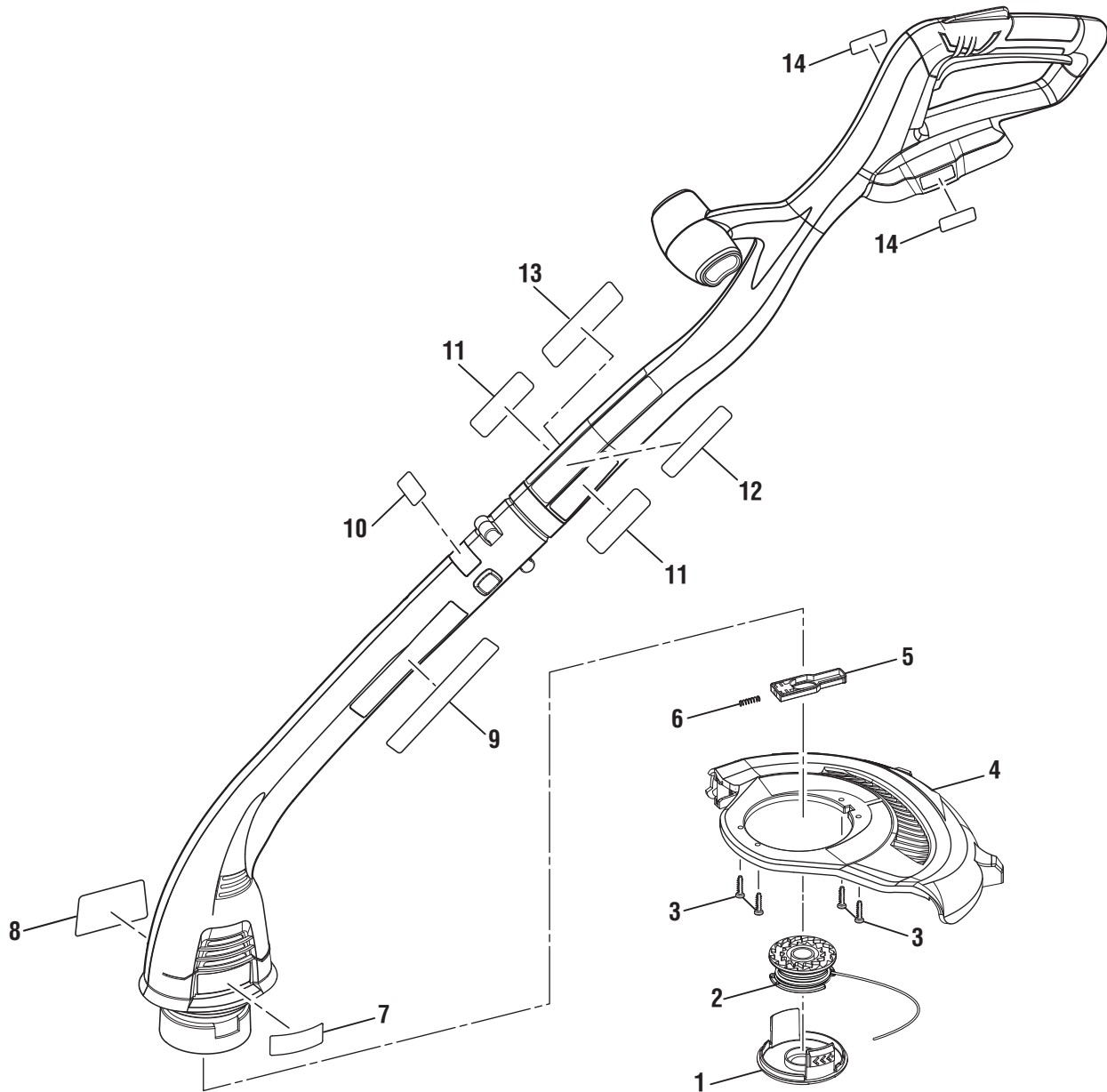


PARTS LIST

Key Part No.	Part Number	Description	Qty.	Key Part No.	Part Number	Description	Qty.
1	522994001	Spool Cap (AC14HC).....	1	10	940820002	Pivoting Arrow Label	1
2	310917001	Spool w/Line (AC14RSL).....	1	11	941655007	Logo Label (Handle)	1
3	660208055	Screw (M4 x 12 mm, Pan Hd.)...4	4	12	940657108	Icon Label.....	1
4	311033002	Guard with Blade Assembly	1	13	941791002	Warning Label (French/Spanish).....	1
5	310918001	Slider Assembly.....	1			NOT SHOWN	
6	679034001	Compression Spring.....	1		987000432	Battery/Charger Correlation Sheet	
7	941759001	18V Lithium Ion Label.....	2		990000360	Operator's Manual	
8	941655050	Data Label (P2003)	1		4-30-20		
	941655052	Data Label (P2003VNM)	1		(Rev:05)		
9	940851494	Easy Edge Label.....	1				

RYOBI P2004 18 VOLT STRING TRIMMER

The model number will be found on a label attached to the motor housing. Always mention the model number in all correspondence regarding your **STRING TRIMMER** or when ordering replacement parts.



PARTS LIST

Key Part No.	Number	Description	Qty.	Key Part No.	Number	Description	Qty.
1	522994001a	Spool Cap (AC14HC).....	1	10	940820004	Pivoting Arrow Label	1
2	310917001	Spool w/Line (AC14RSL).....	1	11	941655007	Logo Label (Handle)	2
3	660208055	Screw (M4 x 12 mm, pan hd.) ...	4	12	940657108	Icon Label.....	1
4	311033002	Guard with Blade Assembly	1	13	941791002	Warning Label (French/Spanish).....	1
5	310918001	Slider Assembly.....	1	14	941759003	18V Lithium Ion Label.....	2
6	679034001	Compression Spring.....	1		NOT SHOWN		
7	941760001	Logo Label (Motor Housing).....	1		987000432	Battery/Charger Correlation Sheet	
8	941588036	Data Label	1		990000360	Operator's Manual	
9	941761002	Easy Edge Label.....	1				