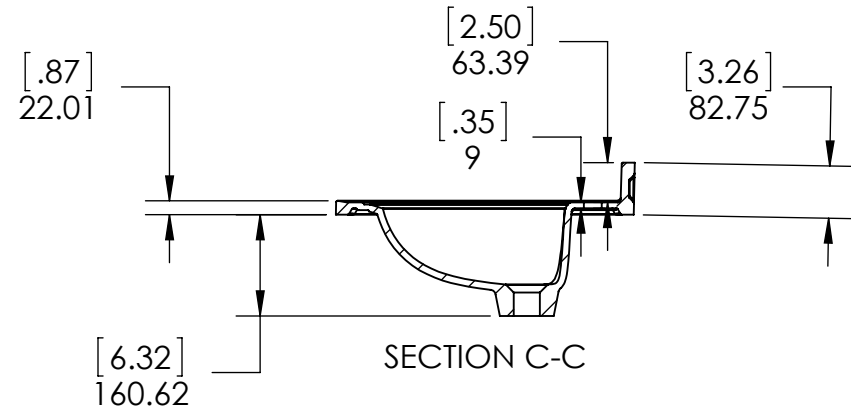
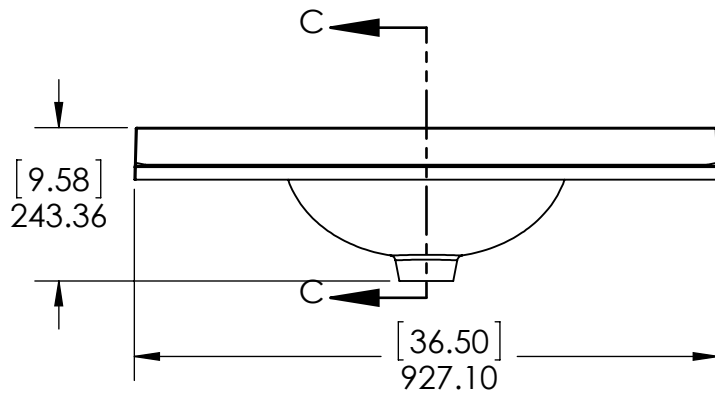
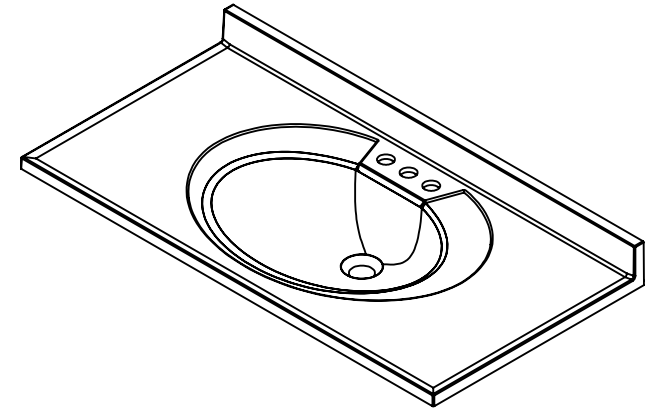
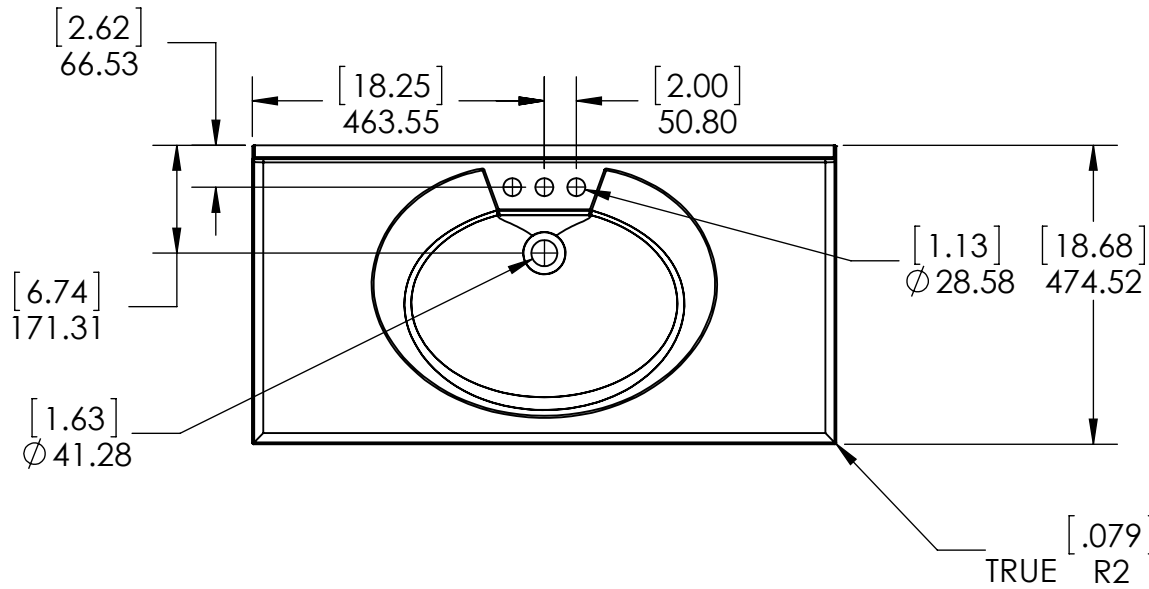


DRAWING TYPE	ITEM ID	ITEM DESCRIPTION	TECHNOLOGIES	DRAWING STATUS
Finish Good	595045	Newport 37x19 White	Composite	Design Process

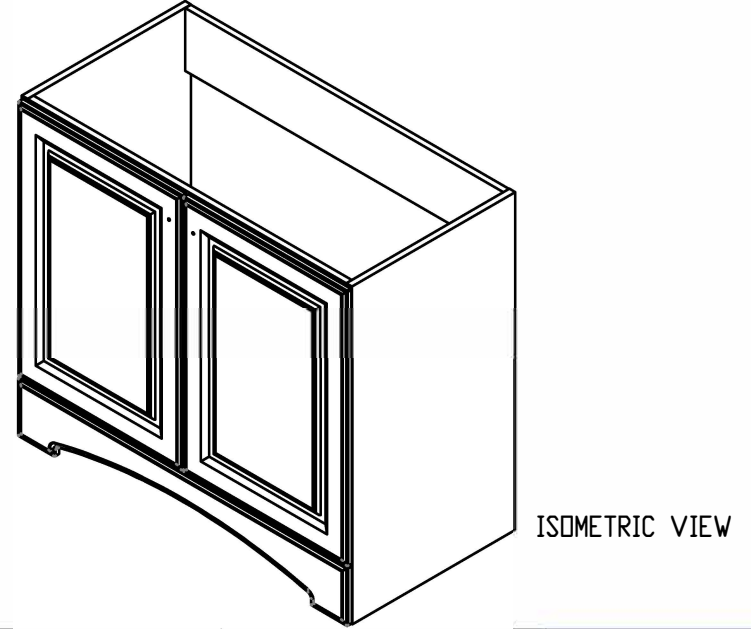
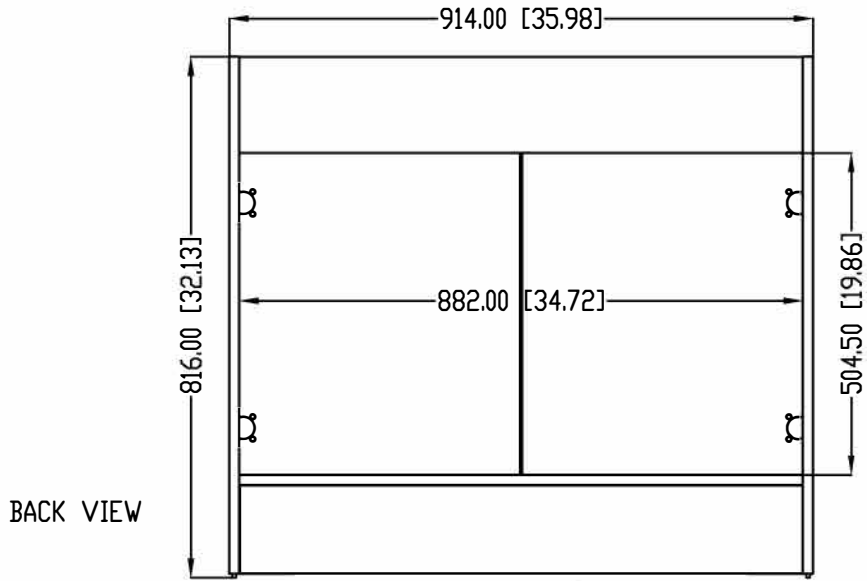
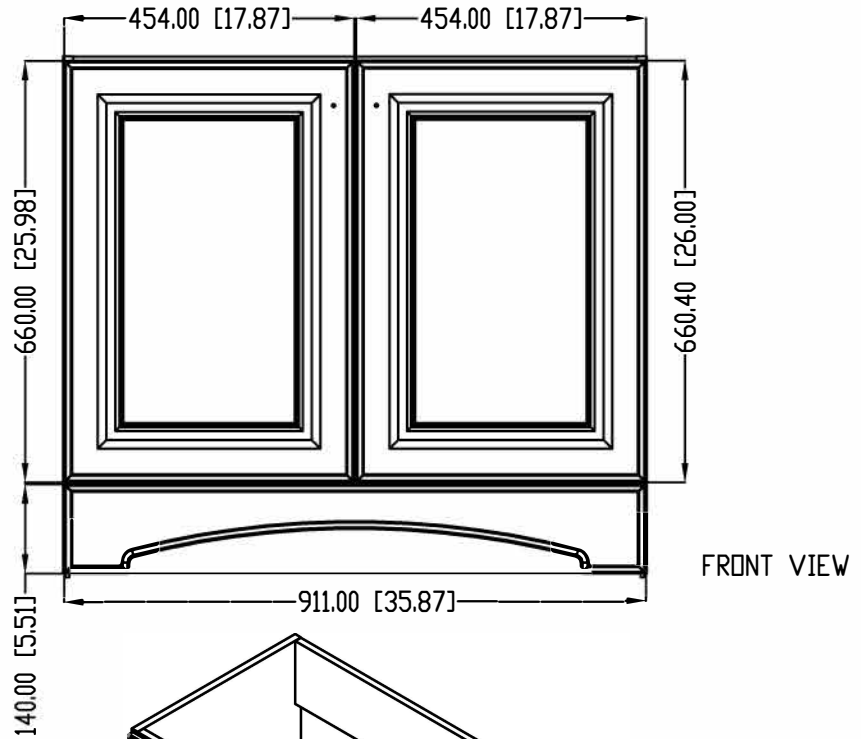
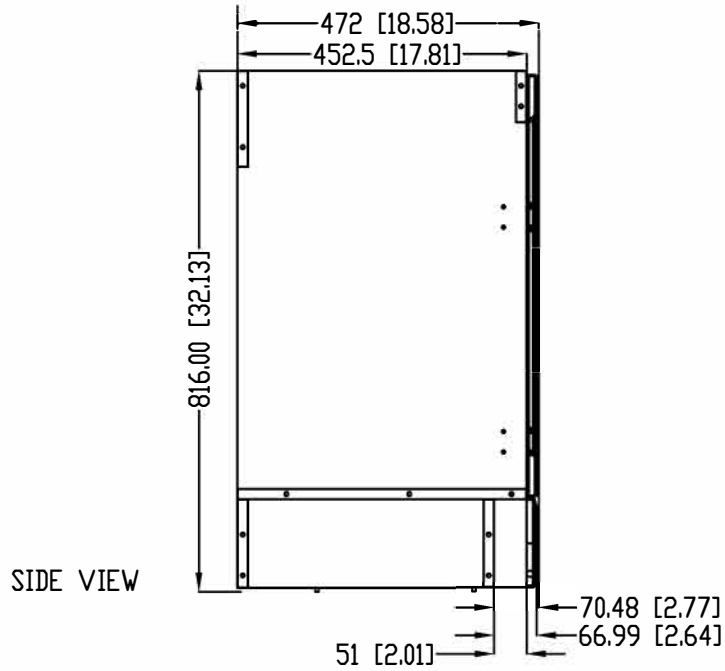


Estimated Weight: 15.92 kg

<b>PROPRIETARY AND CONFIDENTIAL</b>		UNLESS OTHERWISE SPECIFIED		NAME		DATE		
THE INFORMATION CONTAINED IN THIS DRAWING IS THE SOLE PROPERTY OF WOODCRAFTERS. ANY REPRODUCTION IN PART OR AS A WHOLE WITHOUT THE WRITTEN PERMISSION OF WOODCRAFTERS IS PROHIBITED.		DIMENSIONS ARE IN MM. AND (INCHES)		DRAWN		E. Sandoval 5/02/16		
		TOLERANCES ARE		CHECKED		R. Rubio 5/02/16		
		+ 0.125 [3.175] - 0.125 [-3.175]		ENG APPR.		V. Sanchez 5/02/16		
		SCALE:1:10		MFG APPR.		C. Leal 5/02/16		
				SIZE		DWG. NO.		
				A		Newport 37x19 White		
							SHEET 1 OF 1	
							REV: 0	

ITEM ID	DESCRIPTION
GB36P2-WA	Glacier Bay 36in Vanity in Golden Pecan with Cultured Marble Vanity Top White
GB36P2-WH	Glacier Bay 36in Vanity in White with Cultured Marble Vanity Top on White

REV	ECD#	DESCRIPTION	REV'D BY DATE	CHK'D BY DATE	APRV'D BY DATE
0		New Release	CMRH 5/3/16	CMRH 5/3/16	CMRH 5/3/16
1		Add more measurements on bottom of cabinet	CMRH 7/20/18	CMRH 7/20/18	CMRH 7/20/18



PROPRIETARY AND CONFIDENTIAL THE INFORMATION CONTAINED IN THIS DRAWING IS THE SOLE PROPERTY OF WOODCRAFTERS HOME PRODUCTS L.L.C. ANY REPRODUCTION IN PART OR AS A WHOLE WITHOUT THE WRITTEN PERMISSION OF WOODCRAFTERS HOME PRODUCTS L.L.C. IS PROHIBITED.	UNLESS OTHERWISE SPECIFIED  DIMENSIONS ARE IN mm and(inches) AND TOLERANCES ARE +/- 1.0 [0.04]	DRAWN BY:	CMRH	5/3/16	TITLE: <b>GLACIER BAY 36'          ASSEMBLY</b>
		CHECKED BY:	CMRH	5/3/16	
		APPROVED BY:	CMRH	5/3/16	
DO NOT SCALE DRAWING	SCALE: 1:10	SIZE: A	PART NO:	PAGE: 1 OF 1	REV: 1