



SKU # 1003 100 074
THD.com #1002 556 955
1004 309 746
1004 334 658
Model # HOLC7218BB1MYS
HOLC7218BL1M
HOLC7218BT1M

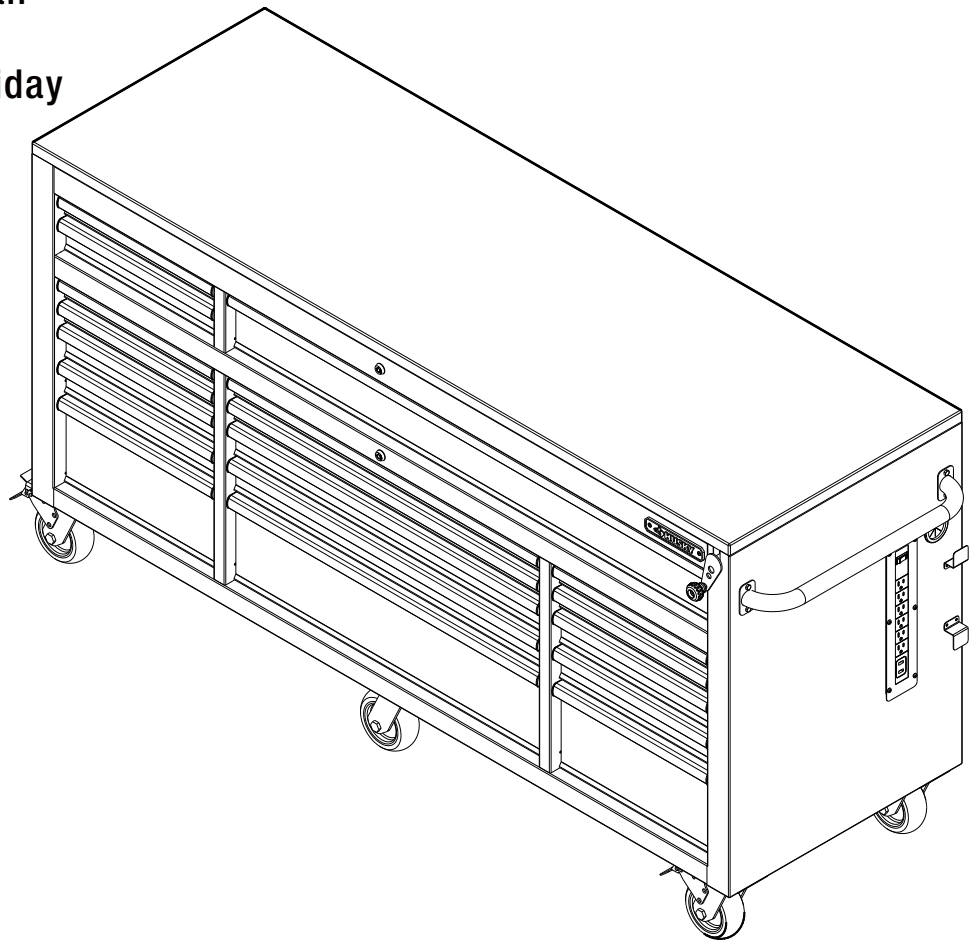
USE AND CARE GUIDE

HUSKY 72 IN. 18-DRAWER MOBILE WORKBENCH WITH ADJUSTABLE-HEIGHT TOP TEXTURED MATTE BLACK/BLUE/WHITE

Questions, problems, missing parts?
Before returning to the store, call
Husky Customer Service
8 a.m. - 7 p.m., EST, Monday-Friday
9 a.m. - 6 p.m., EST, Saturday

1 888 HD-HUSKY

HUSKYTOOLS.COM



THANK YOU

We appreciate the trust and confidence you have placed in Husky through the purchase of this mobile workbench. We strive to continually create quality products designed to enhance your home. Visit us online to see our full line of products available for your home improvement needs. Thank you for choosing Husky!

Table of Contents

Table of Contents	2
Safety Information	2-3
Warranty	3
Pre-Assembly	4
Tools Required	4
Hardware Included	4
Specifications	4
Package Contents	5

Assembly	6
Operation	7
Maintenance	8
Care and Cleaning	8
Service Parts	9

Safety Information

1. Do not open more than one drawer at a time.
2. Do not let children approach the product.
3. To help prevent the product from tipping, load the product starting with the bottom drawers.
4. Keep the locking casters' brake set unless you are moving the cabinet. This will help to prevent the product from rolling.
5. Lock all drawers before moving the product.
6. Make sure all drawers close tightly before locking/unlocking.
7. Do not step in any drawer/drawers.
8. When moving this product, push it rather than pull it.
9. Do not alter this product in any manner.

Plug and Outlet Safety



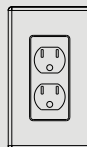
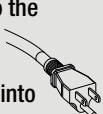
WARNING: Chest/cabinet plugs must match the outlet. Never modify the plug in any way. Do not use any adapter plugs with earth (grounded) chest/cabinet power strips. Unmodified plugs and matching outlets will reduce risk of electric shock.



WARNING: Avoid body contact with earthed or grounded surfaces such as pipes, radiators, ranges and refrigerators. There is increased risk of electric shock if your body is earthed or grounded.



WARNING: Chests/cabinets marked "Grounding Required" have a power strip with a three wire cord and three prong grounding plug. The plug must be connected to a properly grounded outlet (See Figure). If the power strip should electrically malfunction or break down, grounding provides a low resistance path to carry electricity away from the user, reducing the risk of electric shock. The grounding prong in the plug is connected through the green wire inside the cord to the grounding system in the power strip. The green wire in the cord must be the only wire connected to the power strip's grounding system and must never be attached to an electrically "live" terminal. Your power strip must be plugged into an appropriate outlet, properly installed and grounded in accordance with all codes and ordinances.



DANGER: Do not stand on this product. You may fall or cause the product to tip.



DANGER: Do not move the product prior to closing and locking all the drawers. The drawers could come open and make the product unstable and tip.



DANGER: Do not mount this product on a truck bed or any other moving object.



WARNING: Keep the product on a level surface. The product may become unstable and tip if stored or moved on an uneven surface.



CAUTION: Do not lift this product directly with a forklift or tow with any mechanical devices.



CAUTION: Do not exceed the maximum weight loading capacity of elevating wood top or drawers. See Specifications on page 4.



CAUTION: Only transport this product when empty. Properly secure when transporting.



CAUTION: Remove hands and objects when lowering the wood top to avoid pinching or crushing.



CAUTION: Clear all obstructions in top tray areas before lowering the wood top to avoid damage to your items or this product.

Safety Information (continued)

This device complies with Part 15 of the FCC Rules. Operation is subject to the following two conditions: (1) This device may not cause harmful interference, and (2) This device must accept any interference received, including interference that may cause undesired operation.



NOTE: This equipment has been tested and found to comply with the limits for a Class B digital device, pursuant to Part 15 of the FCC Rules. These limits are designed to provide reasonable protection against harmful interference in a residential installation. This equipment generates, uses and can radiate radio frequency energy and, if not installed and used in accordance with the instructions, may cause harmful interference to radio communications. However, there is no guarantee that interference will not occur in a particular installation. If this equipment does cause harmful interference to radio or television reception, which can be determined by turning the equipment off and on, the user is encouraged to try to correct the interference by one or more of the following measures:

- Reorient or relocate the receiving antenna.
- Increase the separation between the equipment and receiver.
- Connect the equipment into an outlet on a circuit different from that to which the receiver is connected.
- Consult the dealer or an experienced radio/TV technician for help.



WARNING: Changes or modifications to this unit not expressly approved by the party responsible for compliance could void the user's authority to operate the equipment.

The Responsible party information:

Clearwater Metal Vn JSC
Lot CN2, Mai Trung IZ, An Tay Village, Ben Cat Town, Binh Duong Province, Vietnam. Tel: +84.274.3581.773

Product name: Power strip 6 outlets with 2 USB ports
Model# K2415009 / K2415014

Warranty

The manufacturer warrants the product to be free from defects in materials and workmanship for a period of five (5) years from date of purchase. This warranty applies only to the original consumer and only to products used in normal use and service. If this product is found to be defective, the manufacturer's only obligation, and your exclusive remedy, is the repair or replacement of the product at the manufacturer's discretion, provided that the product has not been damaged through misuse, abuse, accident, modifications, alteration neglect or mishandling. This warranty shall not apply to any product that is found to have been improperly installed, set-up, or used in any way not in accordance with the instructions supplied with the product. This warranty shall not apply to a failure of the product as a result of an accident, misuse, abuse, negligence, alteration, faulty installation, or any other failure not relating to faulty material or workmanship. This warranty shall not apply to the finish on any portion of the products such as surface and/or weathering, as this is considered normal wear and tear.

The manufacturer does not warrant and specifically disclaims any warranty, whether express or implied, of fitness for a particular purpose, other than the warranty contained herein. The manufacturer specifically disclaims any liability and shall not be liable for any consequential or incidental loss or damage, including but not limited to any labor/expense costs involved in the replacement or repair of said product.

Contact the Customer Service Team at 1-888-HD-HUSKY or visit www.huskytools.com.

Pre-assembly

TOOLS REQUIRED



Phillips
screwdriver



Safety
goggles

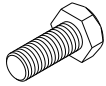
HARDWARE INCLUDED



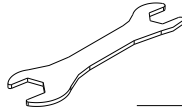
NOTE: Hardware not shown to actual size.



AA



BB



CC

Part	Description	Quantity
AA	Bolt M4 x 10L	4
BB	Bolt M6 x 15L	4
CC	10MM/13MM Wrench	1

SPECIFICATIONS

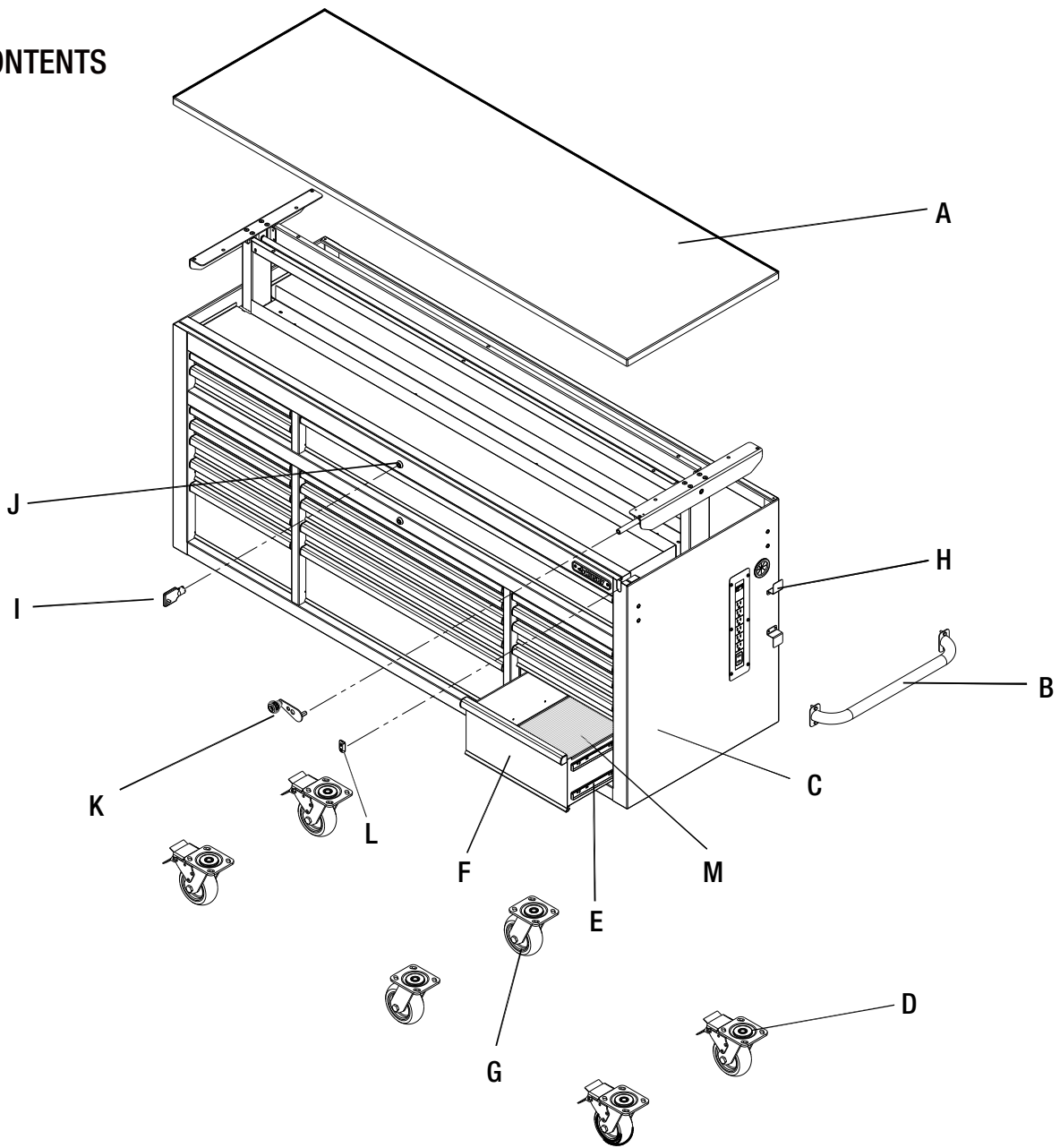
Maximum capacity (drawer)	120 lbs
Maximum capacity (bottom deep drawers)	240 lbs
Maximum capacity (elevating wood top)	300 lbs
Maximum capacity (total unit)	3,000 lbs



NOTE: Begin product assembly close to the final intended location of your mobile workbench. This product is heavy and may be difficult to move after assembly.

Pre-assembly (continued)

PACKAGE CONTENTS



Part	Description	Quantity
A	Wood top	1
B	Side handle	1
C	Rolling cabinet	1
D	Swivel caster with brake	4
E	Drawer slide 120 lbs (pair)	22
F	Drawer	18
G	Swivel caster	2
H	Power strip bracket	2
I	Key (set)	1
J	Lock	2
K	Crank handle	1
L	Crank cap	1
M	Drawer liner	18

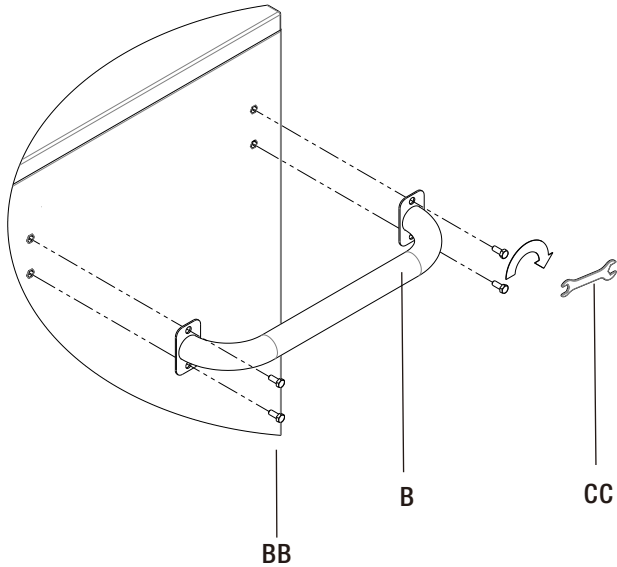
Assembly

1 Attaching the side handle

- Attach the side handle (B) to the cabinet using four bolts (BB).
- Tighten all bolts with the 10 mm wrench (CC).
Do not over tighten the bolts to avoid damage to the finish.

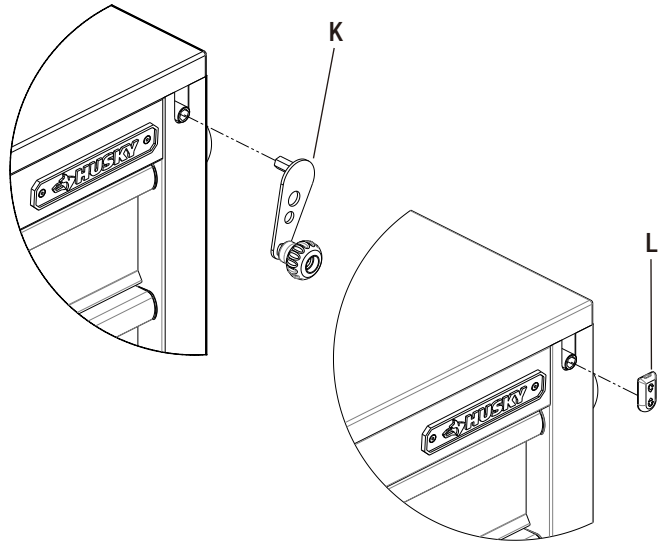


NOTE: The holes in the cabinet are tapped and do not require nuts.



2 Installing the crank handle or crank cap

- Install the crank handle (K) or crank cap (L) into the shaft next to the Husky badge.



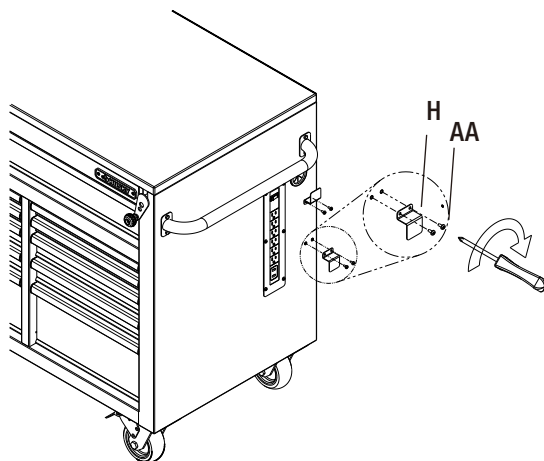
NOTE: Store the crank handle (K) or crank cap (L) in one of the drawers when not in use.

3 Attaching the power strip brackets

- Attach the power strip brackets (H) to the cabinet using four bolts (AA).
- Tighten all bolts using a screwdriver.
Do not over tighten the bolts to avoid damage to the finish.

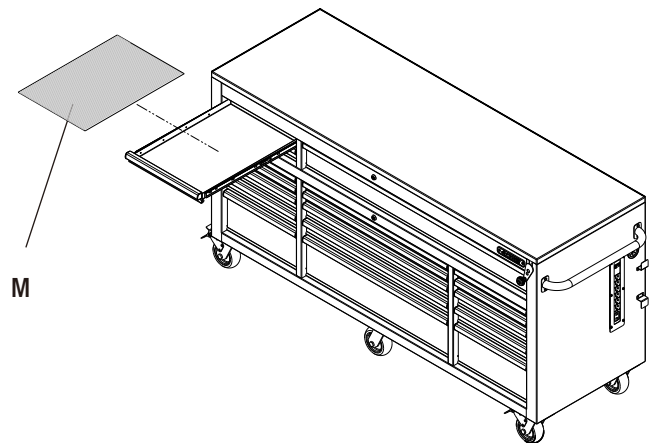


NOTE: The holes in the cabinet are tapped and do not require nuts.



4 Installing the drawer liners

- Place the drawer liners (M) in appropriately-sized drawers to protect the surface.



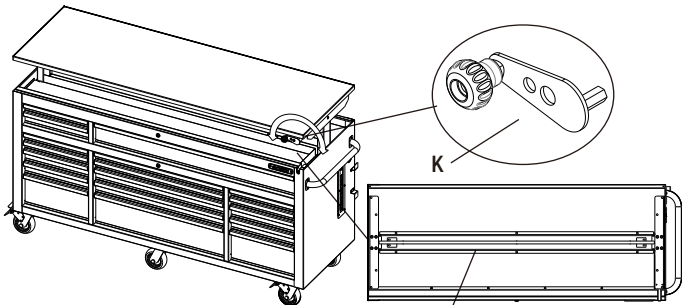
Operation

1 Adjusting the height of the wood top work surface

- Insert the crank handle (K) into the shaft near the Husky badge and align it in the hole until it is engaged.
- To raise the work surface, turn the crank handle counterclockwise to the desired height (38 in.-48 in.)
- To lower the work surface, turn the crank handle clockwise until it reaches the desired height or rests back on top of the rolling cabinet.
- When fully lowered, remove the crank handle and place the crank cap back over the shaft.
- To avoid damage, do not keep turning the crank handle once it has rested on top of the cabinet.



NOTE: Some minor squeaking is normal when operating the crank.



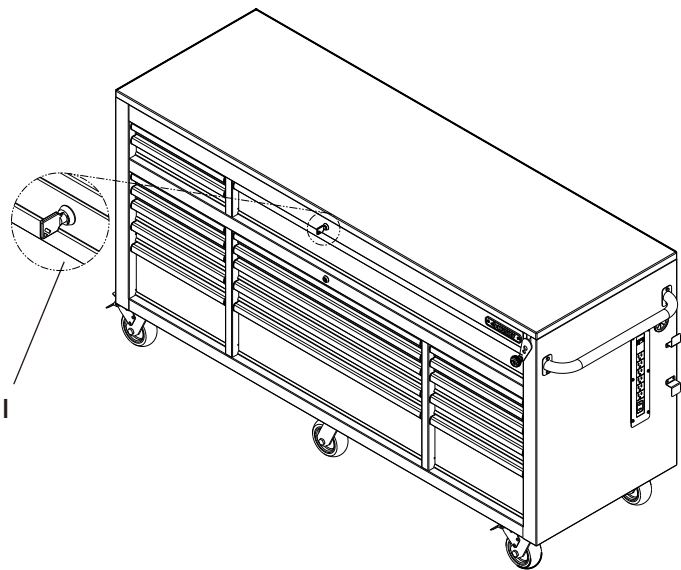
WARNING: There is no storage in the center tray. Use front and back trays only for storage. Make sure the handle is in the proper position as the drawer may interfere with the handle when you open drawer.

2 Locking and unlocking the unit



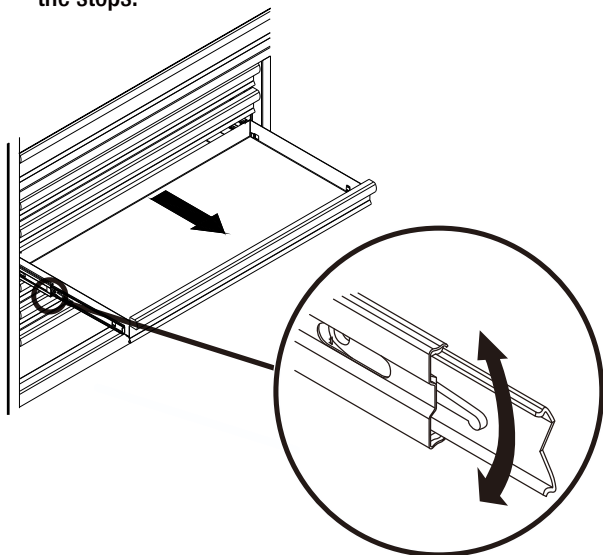
IMPORTANT: The drawers must be fully closed before locking / unlocking the unit.

- To lock the unit, insert the key (I) into the lock (J) and turn it one quarter turn counterclockwise. Then remove the key.
- To unlock the unit, insert the key (I) into the lock (J) and turn it one quarter turn clockwise. Then remove the key.



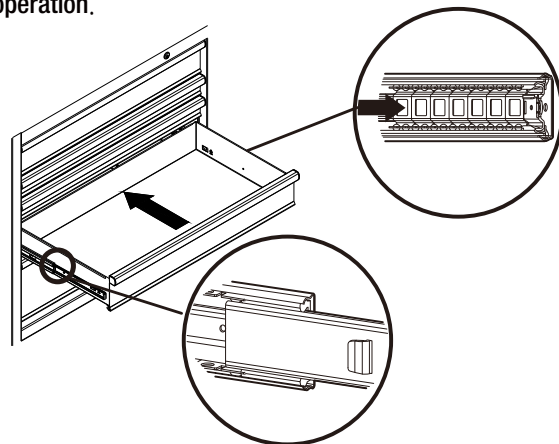
3 Removing the drawers

- Fully extend and empty the drawer.
- On the slide, lift up the plastic release lever on one slide and push down the plastic release lever on the other slide. Gently pull the drawer out so the slides can ride over the stops.



4 Installing the drawers

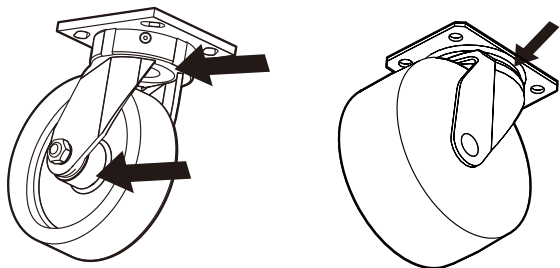
- Pull the slides and slide carrier out until fully extended.
- Hold the slide on the cabinet while aligning it with the slide on the drawer.
- Slightly insert one side and repeat for the other side.
- Slowly push the drawer until it is fully closed to engage the slide.
- Open the drawer and close it to verify proper operation.



Maintenance

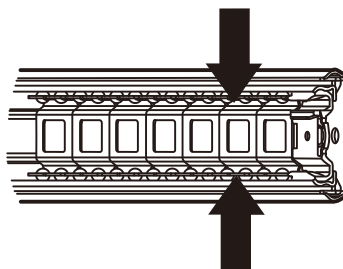
1 Maintaining the casters

- Grease the casters annually using high quality bearing grease.



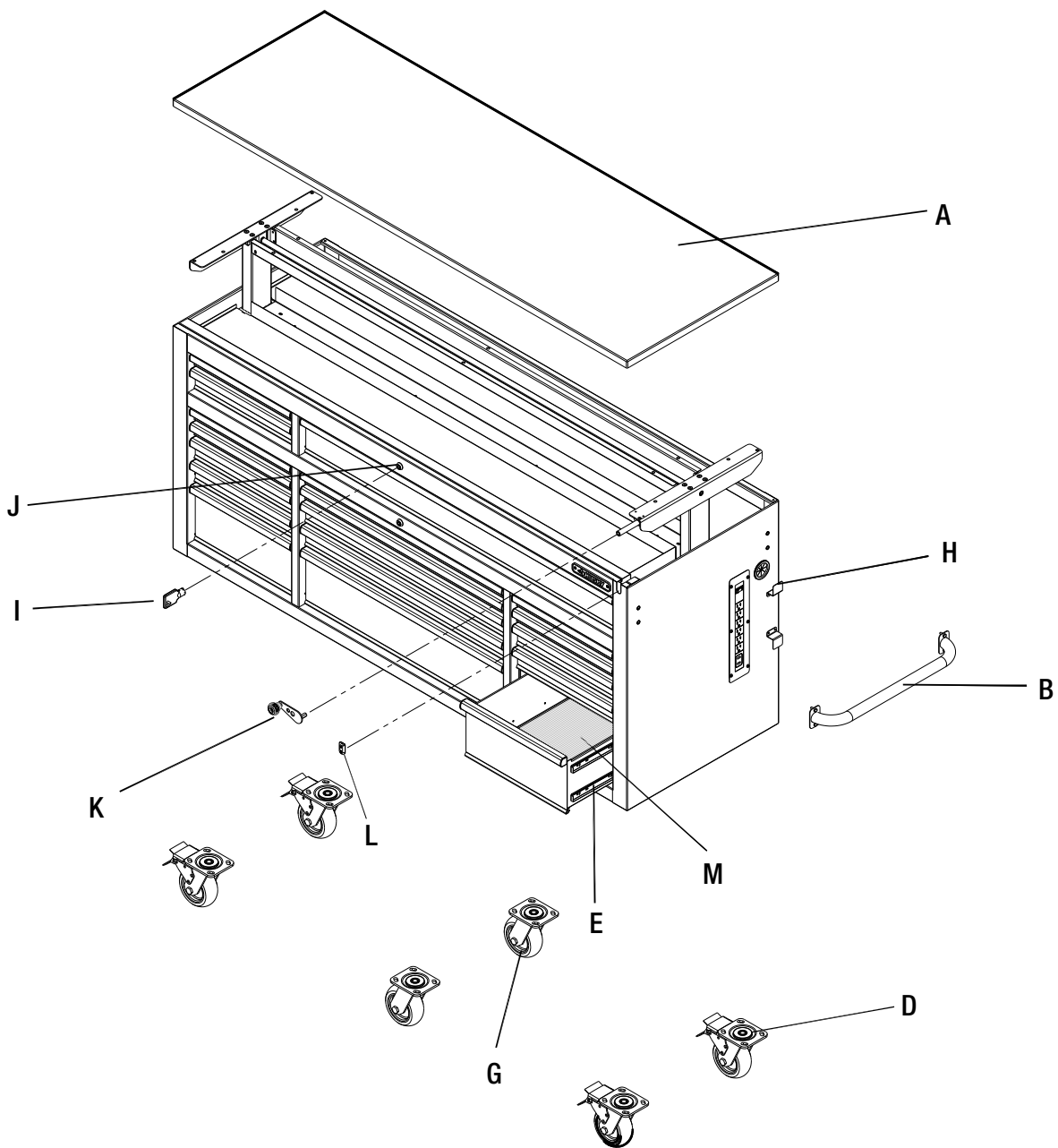
2 Maintaining the drawers

- Periodically clean the drawer trim and inside the drawers with a mild detergent and water.
- Remove grease and oil with a standard, nonflammable cleaning fluid.
- The use of drawer liners is recommended to protect the finish inside the drawers and make the drawers easier to clean. Drawer liners can be purchased at The Home Depot.
- Lubricate the slides semi-annually with grease or equivalent.



Care and Cleaning

- This steel product has been coated with industrial powder coating for a durable finish. To help protect this finish, do not allow harsh chemicals such as oil or grease to remain on the powder coating surface. Use a glass cleaner (Windex® or equivalent product) to clean and maintain all powder coated surfaces.
- The wood top is made of Parawood (also called Rubberwood) which has UV coating to help protect it from moisture. It can be cleaned with most household cleaners, such as Windex® .
- The crank gears and shafts are lubricated at the factory and sealed inside the unit. They do not require normal lubrication maintenance. Some squeaking is normal when operating the crank.



Part	Description	Quantity
A	Wood top	1
B	Side handle	1
D	Swivel caster w/brakes	4
E	Drawer slide 120 lbs (pair)	22
G	Swivel caster	2
H	Power strip bracket	2
I	Key (set)	1
J	Lock	2
K	Crank handle	1
L	Crank cap	1
M	Drawer liner	18



Questions, problems, missing parts? Before returning to the store,
call Husky Customer Service
8 a.m.-7 p.m., EST, Monday-Friday, 9 a.m. - 6 p.m. EST Saturday

1-888-HD-HUSKY

HUSKYTOOLS.COM

Retain this manual for future use.



SKU núm. 1003 100 074
THD.com núm. 1002 556 955
1004 309 746
1004 334 658

Modelo núm. HOLC7218BB1MYS
HOLC7218BL1M
HOLC7218BT1M

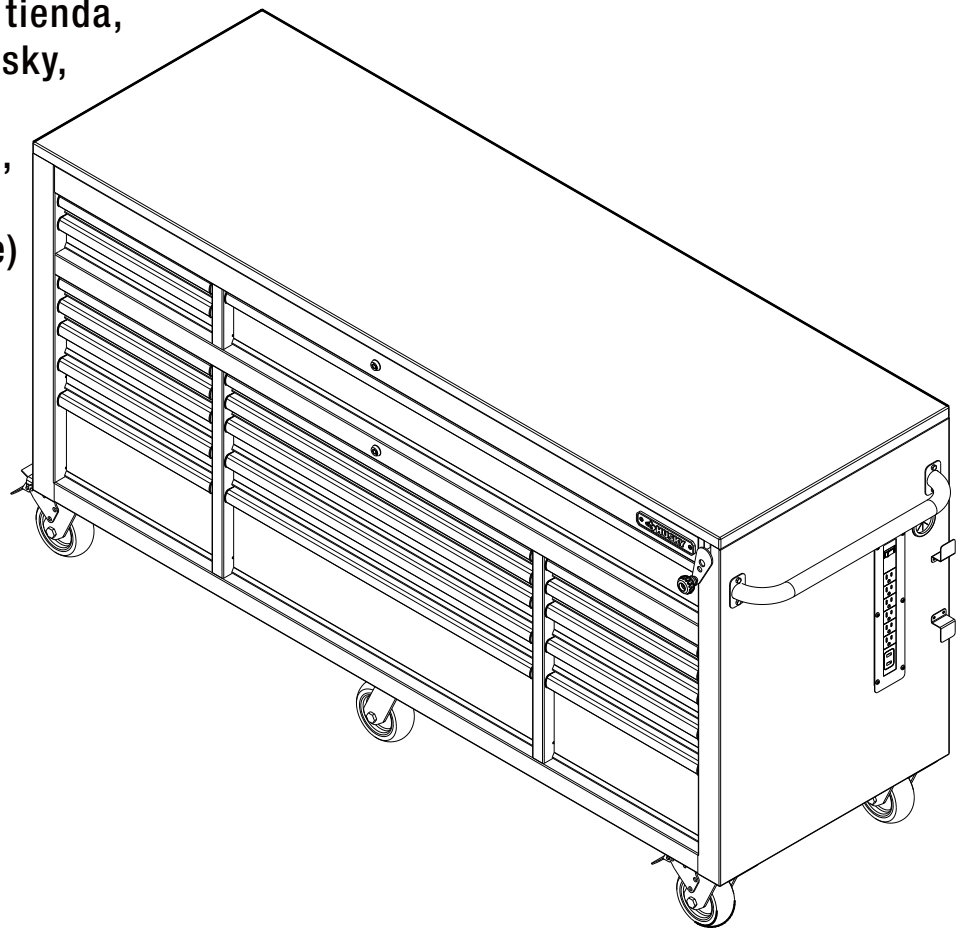
GUÍA DE USO Y MANTENIMIENTO

BANCO DE TRABAJO MÓVIL HUSKY CON 18 CAJONES Y CUBIERTA DE ALTURA AJUSTABLE, DE 1.83 M (TEXTURADO NEGRO MATE / EN AZUL MATE / BLANCO MATE)

¿Preguntas, problemas o piezas faltantes? Antes de devolver a la tienda, llama al Servicio al Cliente de Husky, de lunes a viernes, entre 8 a.m. y 7 p.m., (hora estándar del Este), y los sábados entre 9:00 a.m. y 6:00 p.m. (hora estándar del Este)

1-888-HD-HUSKY

HUSKYTOOLS.COM



GRACIAS POR TU COMPRA

Apreciamos la confianza que has depositado en Husky al comprar este banco de trabajo móvil. Nos esforzamos continuamente en crear productos de calidad diseñados para mejorar tu hogar. Visítanos por Internet para ver nuestra línea completa de productos disponibles con vistas a las necesidades de mejoras de tu hogar. ¡Gracias por elegir Husky!

Tabla de contenido

Tabla de contenido	2	Ensamblaje	6
Información de seguridad	2-3	Funcionamiento	7
Garantía	3	Mantenimiento	8
Preensamblaje	4	Cuidado y mantenimiento	8
Herramientas necesarias	4	Piezas de repuesto	9
Herrajes incluidos	4		
Especificaciones	4		
Contenido del paquete	5		

Información de seguridad

1. No abras más de un cajón a la vez.
2. Mantén a los niños lejos del producto.
3. Para evitar que el producto se caiga, comienza por los cajones inferiores a cargarlo con artículos.
4. Mantén bloqueados los frenos de las ruedas, excepto si vas a mover el gabinete. Esto ayudará a evitar que el producto ruede.
5. Cierra con seguro todos los cajones antes de mover el producto.
6. Asegúrate de que todos los cajones cierren bien antes de cerrar/abrir.
7. No te pares sobre ningún cajón o cajones.
8. Cuando vayas a mover este producto, empújalo en lugar de halarlo.
9. No modifiques este producto de ninguna manera.

Seguridad con enchufes y tomacorrientes



ADVERTENCIA: Los enchufes de la caja para herramientas/gabinete tienen que coincidir con el tomacorriente. No intentes modificar el enchufe de ninguna forma. No usar ningún enchufe adaptador con barras multicontacto de cajas para herramientas/gabinetes que tengan conexión a tierra. Enchufes sin modificaciones y tomacorrientes adecuados reducen el riesgo de descarga eléctrica.

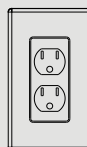
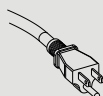


ADVERTENCIA: Evita el contacto físico con las superficies conectadas a tierra como tuberías, radiadores, estufas y refrigeradores. Existe mayor riesgo de descarga eléctrica si tu cuerpo hace tierra.



ADVERTENCIA: Las cajas para herramientas/gabinetes etiquetadas con "Grounding Required" (requiere conexión a tierra) tienen una barra multicontacto con un cordón de tres cables y un enchufe de conexión a tierra de tres espigas. El enchufe debe conectarse a un tomacorrientes con conexión a tierra (ver figura). Si la barra multicontacto tiene un problema eléctrico o se daña, la conexión a tierra proporciona un camino de baja resistencia para alejar la electricidad del usuario, reduciendo el riesgo de descarga eléctrica. La espiga de conexión a tierra está conectada al sistema de conexión a tierra a través del cable verde dentro del cordón de la barra multicontacto. El cable verde en el cordón tiene que ser el único conectado al sistema de conexión a tierra de la barra multicontacto y nunca jamás conectarse a un terminal con corriente eléctrica.

Tu barra multicontacto debe ser conectada en un tomacorriente apropiado, que esté idóneamente instalado y conectado a tierra de acuerdo con las leyes y regulaciones.



PELIGRO: No te pares sobre este producto. Puedes caerte o provocar que el producto se vuelque.



PELIGRO: No muevas el producto antes de cerrar y asegurar todos los cajones. Los cajones pueden abrirse y provocar que el producto quede inestable y se vuelque.



PELIGRO: No montes este producto en la cama de un camión o sobre cualquier otro objeto en movimiento.



ADVERTENCIA: Mantén el producto sobre una superficie nivelada. El producto puede volverse inestable y volcarse si se almacena o mueve sobre una superficie desnivelada.



PRECAUCIÓN: No levantes este producto directamente con un montacargas o lo remolques con ningún dispositivo mecánico.



PRECAUCIÓN: No sobrepases la capacidad máxima de peso de los cajones ni de la cubierta levadiza de madera. Consulta las especificaciones en la página 4.



PRECAUCIÓN: Transporta este producto sólo cuando esté vacío. Asegúralo debidamente cuando vayas a transportarlo.



PRECAUCIÓN: Quita la manos y objetos cuando bajes la cubierta de madera para evitar pellizcos o aplastamiento.



PRECAUCIÓN: Elimina todas las obstrucciones en las áreas de la bandeja antes de bajar la cubierta de madera para evitar dañar tus artículos o este producto.

Información de seguridad(continuación)

Este dispositivo cumple con la Parte 15 de las Regulaciones de la FCC. Su operación está sujeta a las dos condiciones siguientes: (1) Este dispositivo no debe causar interferencia dañina, y (2) tiene que aceptar cualquier interferencia recibida, incluyendo aquella que pudiera afectar su funcionamiento.



NOTA: Este equipo fue sometido a prueba y se determinó que cumple con los límites establecidos para un dispositivo digital Clase B según la Parte 15 de las Normas FCC. Estos límites fueron establecidos para dar protección razonable contra la interferencia dañina en uso residencial. Este equipo genera, consume y puede irradiar energía de radiofrecuencia; si no se instala y usa de acuerdo con las instrucciones, puede causar interferencia dañina a comunicaciones radiales. Sin embargo, no hay garantía de que no ocurrirá interferencia en una instalación particular. Si este equipo causa interferencia perjudicial a la recepción de radio o televisión, que puede determinarse encendiendo y apagando el equipo, se recomienda al usuario tratar de corregir la interferencia con una o más de las siguientes medidas:

- Reorientar o reubicar la antena receptora.
- Incrementar la distancia entre los equipos y el receptor.
- Conectar el equipo a un tomacorriente en un circuito distinto al que el receptor está conectado.
- Consultar al distribuidor o algún técnico de radio/TV con experiencia.



ADVERTENCIA: Los cambios o modificaciones a esta unidad sin aprobación expresa de la parte responsable del cumplimiento de las normas aplicables podrían anular el derecho del usuario a operar el equipo.

La información de la parte responsable:

Clearwater Metal Vn JSC

Lot CN2, Mai Trung IZ, An Tay Village, Ben Cat Town, Binh Duong Province, Vietnam. Tel: +84.274.3581.773

Nombre del producto: Barra multicontacto con 6 tomacorrientes y 2 puertos USB

Modelo # K2415009 / K2415014

Garantía

El fabricante garantiza que este producto no presentará defectos materiales ni de fabricación durante cinco (5) años a partir de la fecha original de compra. Esta garantía es válida solo para el consumidor original y cubre solo productos en uso y servicio normales.

Si se detecta algún defecto en este producto, la única obligación y solución exclusiva del fabricante, a su entera discreción, será reparar o reponer el producto, siempre y cuando el producto no haya sido dañado por mal uso, abuso, accidente, modificaciones alteraciones, negligencia o manejo indebido. Esta garantía no cubre ningún producto instalado, configurado o usado sin seguir las instrucciones adjuntas. Esta garantía no cubre fallas del producto como consecuencia de un accidente, mal uso, abuso, negligencia, imodificaciones o instalaciones defectuosas, ni cualquier otra falla no relacionada con defectos materiales o de fabricación. Esta garantía no se aplica al acabado de ninguna parte del producto, como la superficie, ni al deterioro por condiciones ambientales, ya que se considera desgaste normal.

El fabricante no garantiza y rechaza específicamente cualquier garantía, explícita o implícita, de la idoneidad del producto para un propósito en particular, que no sea la garantía establecida por este medio. El fabricante rechaza específicamente cualquier obligación y no será responsable por ningún daño o pérdida, directos o indirectos, incluyendo, pero sin limitarse a, cualquier costo de mano de obra/gastos relacionados con la reposición o reparación de dicho producto.

Comuníquese con el equipo de servicio al cliente llamando al 1-888-HD-HUSKY o visite www.huskytools.com.

Preensamblaje

HERRAMIENTAS NECESARIAS



Destornillador
Phillips



Gafas de
seguridad

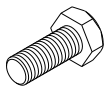
HERRAJES INCLUIDOS



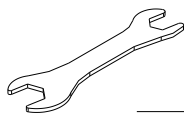
NOTA: No se muestra el tamaño real de los herrajes.



AA



BB



CC

Pieza	Descripción	Cantidad
AA	Perno M4 x 10L	4
BB	Perno M6 x 15L	4
CC	Llave de 10 MM/13 MM	1

ESPECIFICACIONES

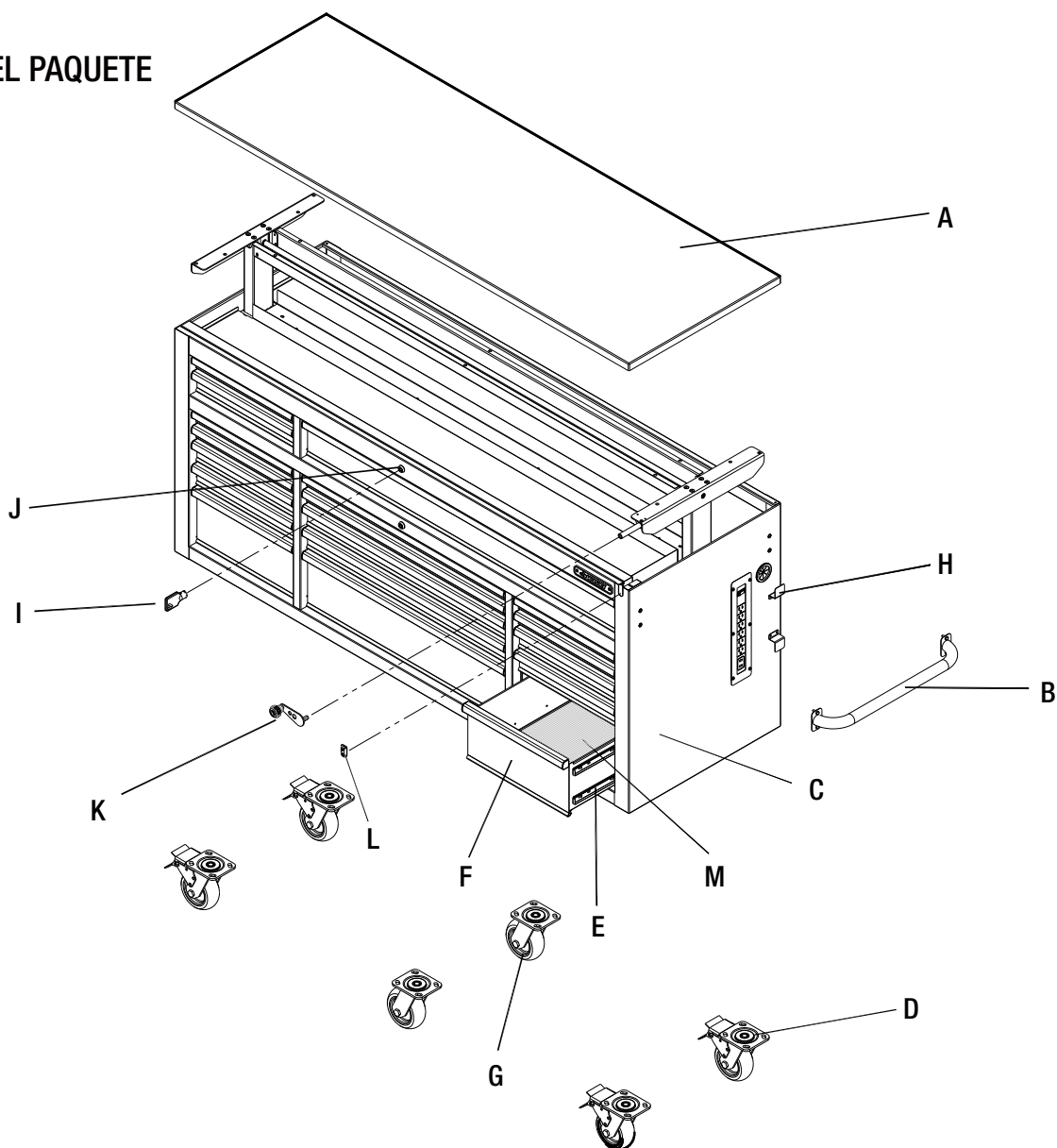
Capacidad máxima (cajón)	54.4 kg
Capacidad máxima (cajones hondos inferiores)	108.8 kg
Capacidad máxima (cubierta de madera)	136.1 kg
Capacidad máxima (unidad completa)	1360.7 kg



NOTA: Comienza el ensamblaje del producto cerca de la ubicación final deseada para tu banco de trabajo móvil. Este producto es pesado y puede ser difícil de mover después del ensamblaje.

Preensamblaje (continuación)

CONTENIDO DEL PAQUETE



Pieza	Descripción	Cantidad
A	Cubierta de madera	1
B	Asa lateral	1
C	Gabinete con ruedas	1
D	Rueda giratoria con freno	4
E	Corredera de cajón para 54 kg (el par)	22
F	Cajón	18
G	Rueda giratoria	2
H	Soporte para barra multicontacto	2
I	Llave (juego)	1
J	Cerradura	2
K	Mango de la manivela	1
L	Tapa de la manivela	1
M	Revestimiento de cajones	18

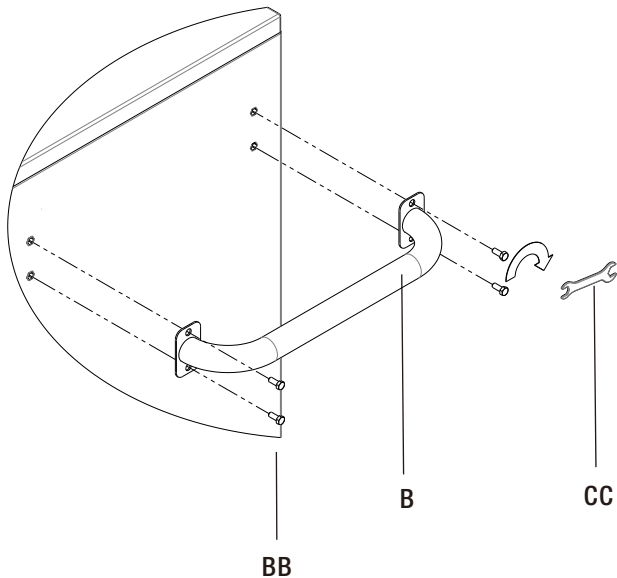
Ensamblaje

1 Cómo colocar el asa lateral

- Fija la manija lateral (B) al gabinete usando cuatro pernos (BB).
- Aprieta todos los pernos con la llave de 10 mm (CC). No aprietes demasiado los pernos para evitar daños al acabado.

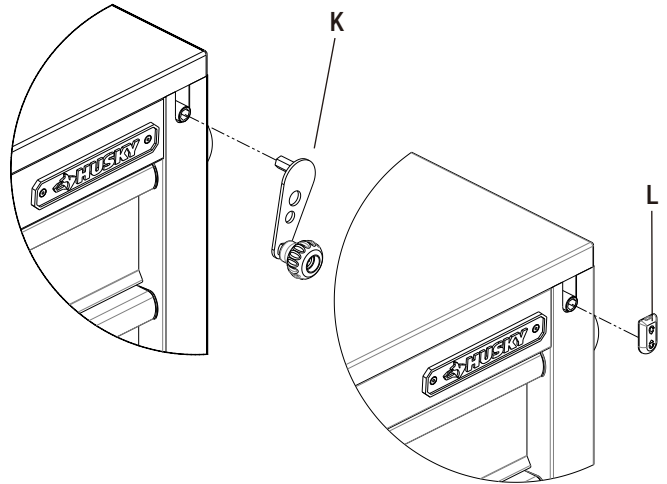


NOTA: Los orificios en el gabinete están roscados y no necesitan tuercas.



2 Cómo instalar el mango de la manivela o la tapa de la manivela

- Instala el mango de la manivela (K) o la tapa de la manivela (L) en el eje ubicado cerca de la placa de Husky.



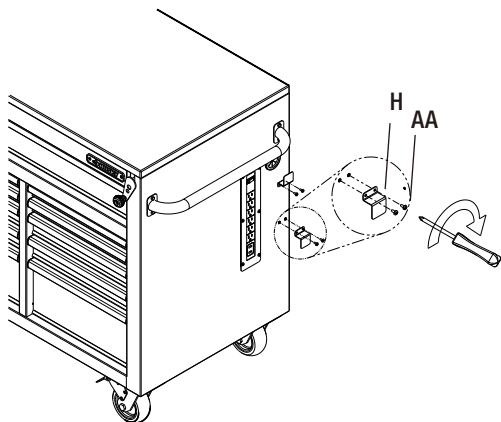
NOTA: Guarda el mango de la manivela (K) o la tapa de la manivela (L) en uno de los cajones cuando no se esté usando.

3 Cómo fijar los soportes para barra multicontacto

- Fija los soportes para barra multicontacto (H) al gabinete usando cuatro pernos (AA).
- Aprieta todos los pernos con un destornillador. No aprietes demasiado los pernos para evitar daños al acabado.

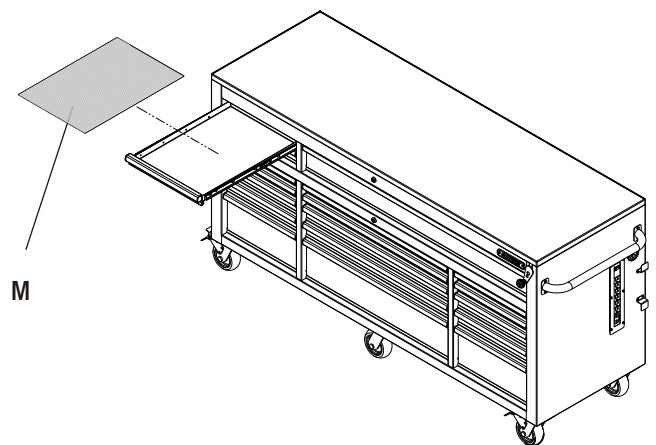


NOTA: Los orificios en el gabinete están roscados y no necesitan tuercas.



4 Cómo instalar el revestimiento de los cajones

- Colocalos revestimientos (M) en los cajones de tamaño apropiado para proteger la superficie.



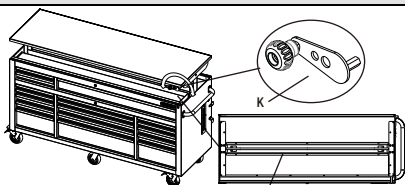
Funcionamiento

1 Cómo ajustar la altura de la superficie de trabajo de la cubierta de madera

- ❑ Inserta el mango de la manivela (K) en el eje ubicado cerca de la placa de Husky y alinéalo en el orificio hasta que haya engranado completamente
- ❑ Para elevar la superficie de trabajo, gira el mango de la manivela hacia la izquierda hasta la altura deseada (96.5 cm-1.22 m)
- ❑ Para bajar la superficie de trabajo, gira el mango de la manivela hacia la derecha hasta la altura deseada o hasta que descansa sobre la parte superior del gabinete con ruedas
- ❑ Al bajarlo completamente, quita el mango de la manivela y coloca la tapa de la manivela sobre el eje
- ❑ Para evitar daños, no sigas girando el mango de la manivela una vez que la superficie de trabajo ya esté sobre la parte superior del gabinete.



NOTA: Es normal que se escuchen crujidos leves al operar la manivela.



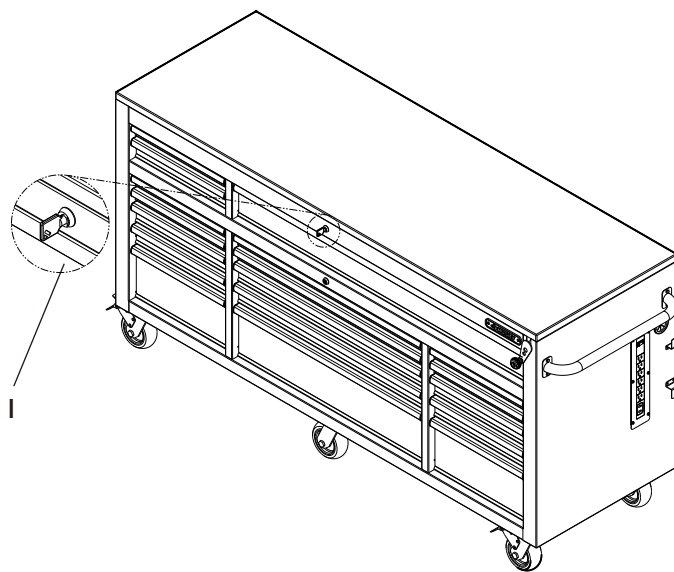
ADVERTENCIA: No hay espacio para almacenaje en la bandeja central. Usa las bandejas frontal y posterior sólo para almacenaje. Asegura que la manija esté en la posición correcta, ya que el cajón pudiera interferir con ella al abrirse.

2 Cómo cerrar y abrir la unidad



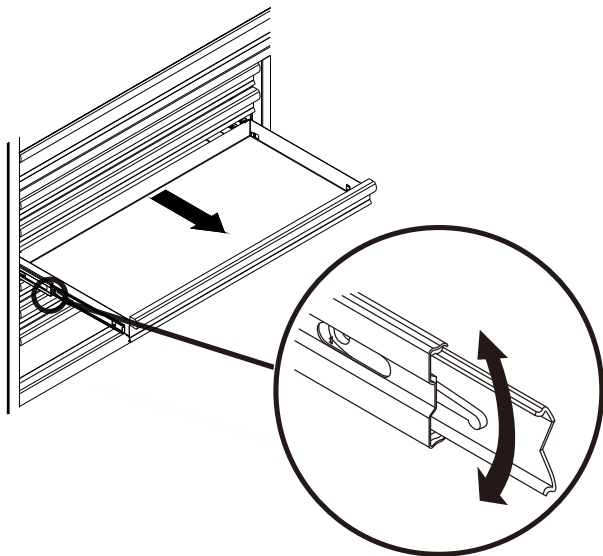
IMPORTANTE: Los cajones deben estar completamente cerrados antes de cerrar o abrir la unidad.

- ❑ Para cerrar la unidad, inserta la llave (I) en la cerradura (J) y gírala un cuarto de vuelta hacia la izquierda. Retira la llave.
- ❑ Para abrir la unidad, inserta la llave (I) en la cerradura (J) y gírala un cuarto de vuelta hacia la derecha. Retira la llave.



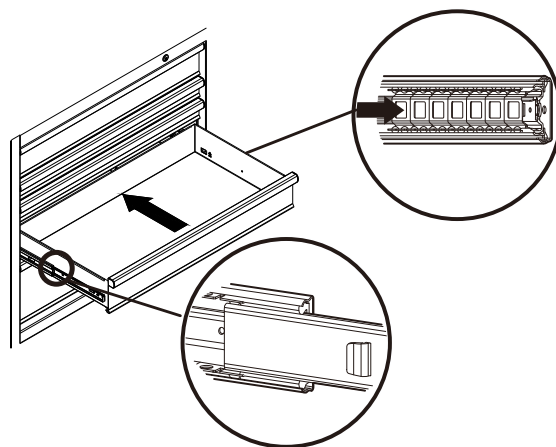
3 Cómo quitar los cajones

- ❑ Extiende completamente el cajón y vacíalo.
- ❑ En la corredera, levanta la palanca plástica de liberación de una corredera y empuja hacia abajo la palanca plástica de liberación de la otra corredera. Hala con cuidado el cajón para que las correderas puedan pasar por encima de los topes.



4 Cómo instalar los cajones

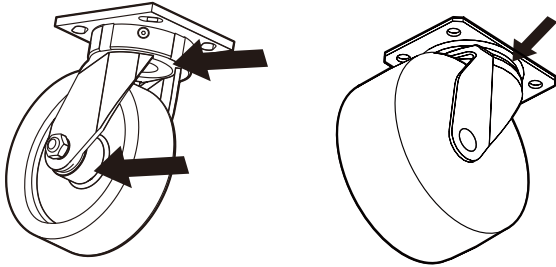
- ❑ Hala las correderas y el sujetador de ellas hacia afuera hasta que queden completamente extendidas.
- ❑ Sostén la corredera sobre el gabinete al alinearla con la corredera en el cajón.
- ❑ Inserta un lado ligeramente y repite para el otro lado.
- ❑ Empuja lentamente el cajón hasta que esté completamente cerrado y enganche en la corredera.
- ❑ Abre el cajón y ciérralo para verificar que funciona bien.



Mantenimiento

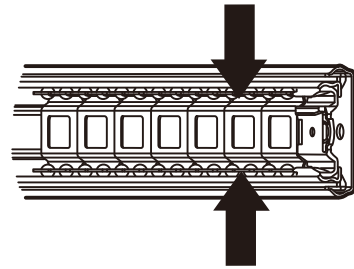
1 Cómo dar mantenimiento a las ruedas

- Engrasa las ruedas anualmente usando grasa de alta calidad para cojinetes de bola.



2 Cómo dar mantenimiento a los cajones

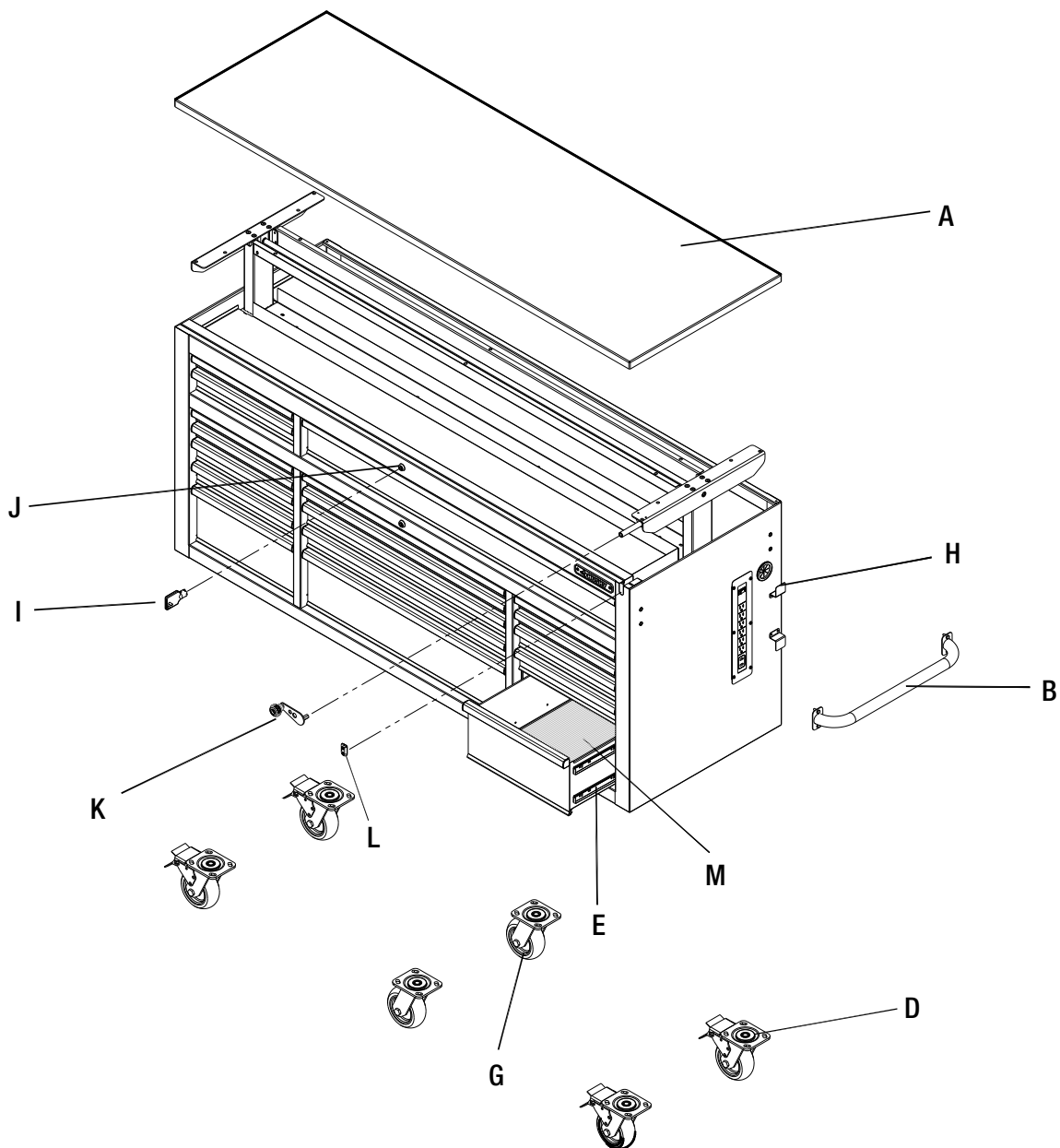
- Limpia periódicamente la moldura del cajón y su interior con un detergente suave y agua.
- Quita la grasa y el aceite con un líquido estándar para limpiar no inflamable.
- Se recomienda usar revestimientos de cajones para proteger el acabado dentro de ellos y facilitar su limpieza. Los revestimientos de cajones pueden comprarse en The Home Depot.
- Lubrica las correderas de los cajones dos veces al año con grasa o equivalente.



Cuidado y limpieza

- Este producto de acero ha sido revestido con cubierta granular industrial para un acabado duradero. Para ayudar a proteger este acabado, no permitas que productos químicos agresivos, como aceite o grasa, permanezcan sobre la superficie pulvirrevestida. Usa un limpiador de vidrio (Windex® o producto equivalente) para limpiar y dar mantenimiento a todas las superficies pulvirrevestidas.
- La cubierta de madera está hecha de Caucho de Pará (también denominado Rubberwood) con revestimiento resistente a los rayos UV para proteger la cubierta contra la humedad. Puede limpiarse con los limpiadores domésticos más moderados, como Windex®.
- El mecanismo de la manivela y los ejes están lubricados de fábrica y sellados dentro de la unidad. No requieren mantenimiento normal de lubricación. Es normal que se escuchen crujidos leves al operar la manivela.

Piezas de repuesto



Pieza	Descripción	Cantidad
A	Cubierta de madera	1
B	Asa lateral	1
D	Rueda giratoria con frenos	4
E	Corredera de cajón para 54 kg (el par)	22
G	Rueda giratoria	2
H	Soporte para barra multicontacto	2
I	Llave (juego)	1
J	Cerradura	2
K	Mango de la manivela	1
L	Tapa de la manivela	1
M	Revestimiento de cajones	18



**¿Preguntas, problemas o piezas faltantes? Antes de devolver a la tienda,
llama al Servicio al Cliente de Husky, de lunes a viernes, entre 8:00 a.m. y 7:00 p.m.
(hora estándar del Este), y los sábados de 9:00 a.m. a 6:00 p.m. (hora estándar del Este).**

1-888-HD-HUSKY

HUSKYTOOLS.COM

Conserva este manual para uso futuro.