

For assistance or replacement parts please contact **Simply3®**

The Simply3 Company | 1-866-855-0100
 9450 Rosemont Drive
 Streetsboro, OH 44241 | www.simply3.com

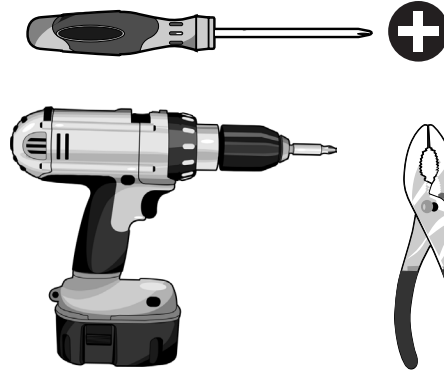
OBSERVE THE FOLLOWING STATEMENTS AND WARNINGS TO REDUCE THE LIKELIHOOD OF SERIOUS OR FATAL INJURY.

SAVE THIS SHEET FOR FUTURE REFERENCE.

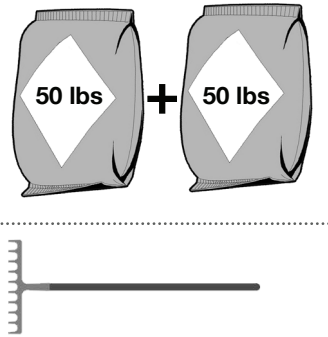
WARNING:
 - **Choking Hazard:** Small parts. Sharp points. Adult assembly required.

- **Decal Application:**
 Clean and dry area thoroughly. Center decal in area. Apply pressure from center to outer edge.
- **To minimize risks posed by drill shavings,** screws are designed to pierce the plastic and form their own threads. Use caution not to over-tighten screws or they will not hold parts together appropriately.
- **Cleaning Instructions:**
 General Cleaning: Use mild soapy water.
- **Disposal Instructions:**
 Please recycle when possible. Disposal must be in compliance with all government regulations.
- **USA Residents ONLY:** CUSTOMERS ARE **REQUIRED** TO CONTACT THE LOCAL POST OFFICE BEFORE INSTALLING THE MAILBOX TO ENSURE ITS CORRECT PLACEMENT AND HEIGHT AT THE STREET. GENERALLY, MAILBOXES ARE INSTALLED AT A HEIGHT OF 41 - 45 INCHES FROM THE ROAD SURFACE TO EITHER THE INSIDE SURFACE OF THE MAILBOX THAT THE MAIL IS PLACED ON BY THE CARRIER OR TO THE LOWEST EDGE OF MAIL ENTRY (FOR LOCKED MAIL SLOT DESIGNS) AND ARE SET BACK 6 - 8 INCHES FROM THE FRONT FACE OF CURB OR ROAD EDGE TO THE MAILBOX DOOR.

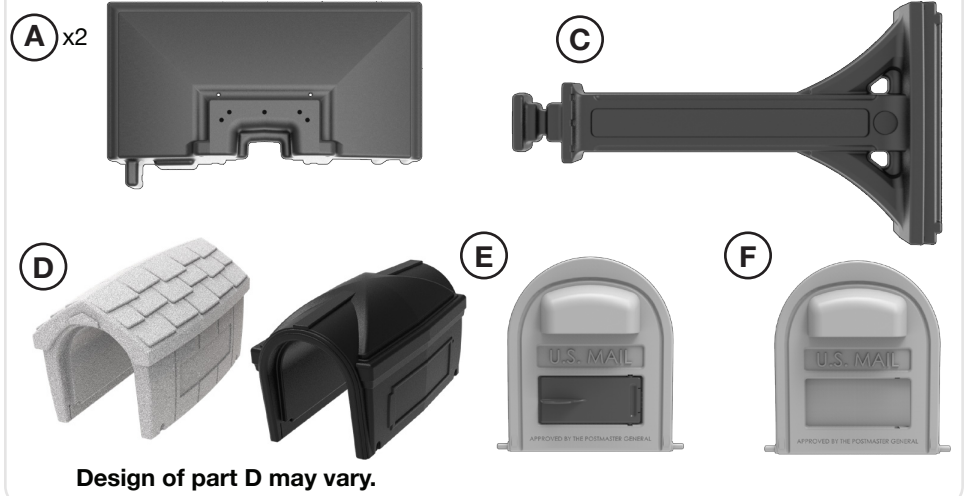
TOOLS NEEDED



100 lbs of dry clean play sand



PARTS LIST A



PARTS LIST B

