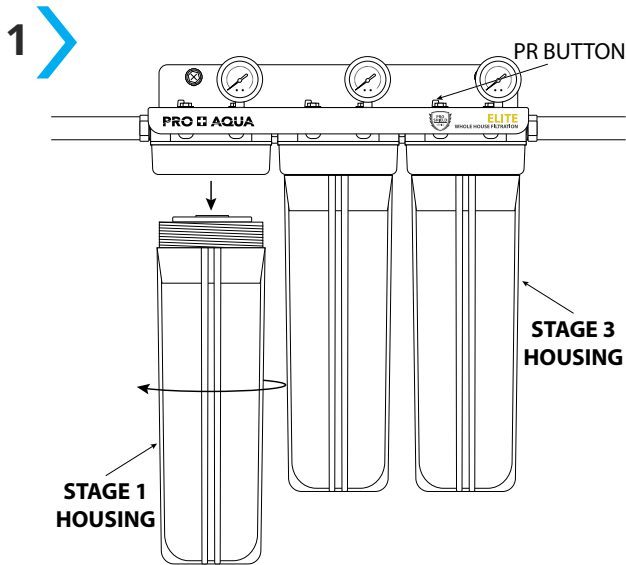


Replacing Your Filters

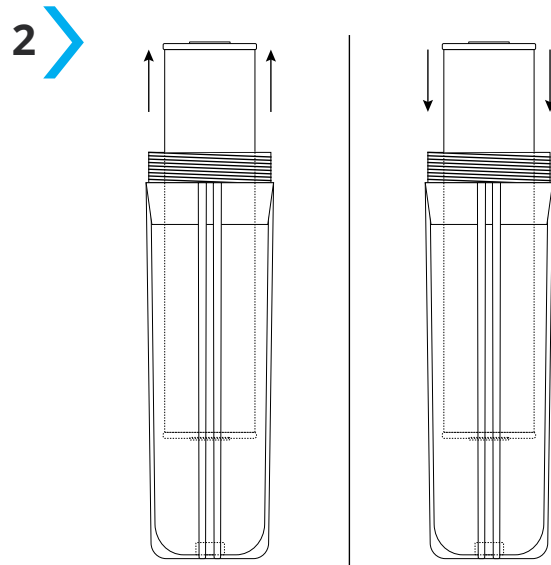
Replacement Filter Set: **FC-PK-100E**

To insure your system keeps performing at its best, only use original OEM Certified filters, untested filters will reduce performance and void its warranty.

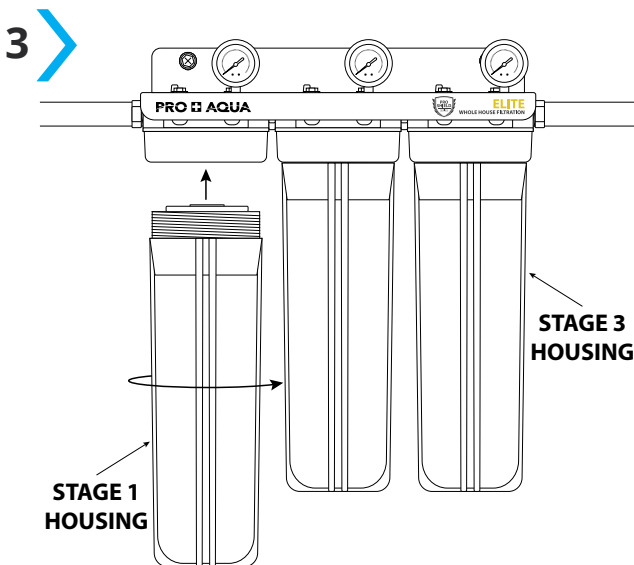
Before starting: Turn incoming water off then press and hold the PR button to relief the pressure in the system. Ensure to place a bucket or rag to catch any splashing water.



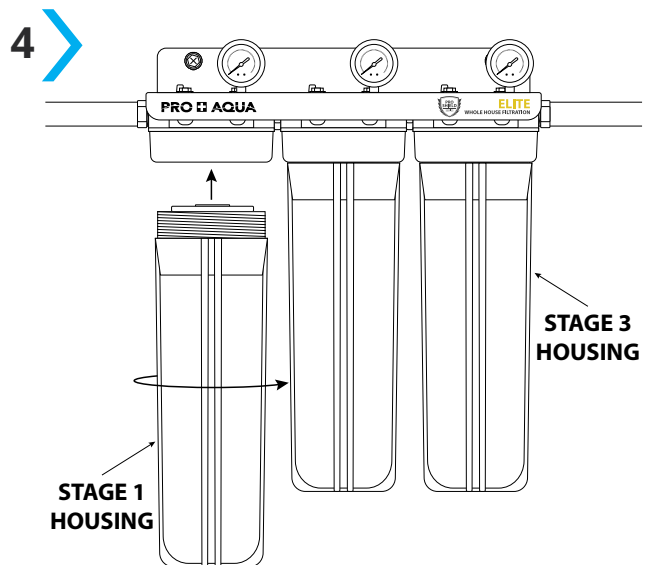
Remove housing using the housing wrench by turning the handle counterclockwise.



Remove the old filter and install the new filter. Ensure to center the filter cartridge properly in the housing.



Inspect the O-Ring on the housing for any damage or cracks. Ensure the O-Ring is sitting properly in the groove. Lubricate the O-Ring and housing threads with silicone lubricant or a food-grade lubricant.



Reinstall the housing by pushing the housing up and at the same time turning the housing clockwise. Ensure to keep the housing and filter cartridge straight. Improper installation will cause the filter cartridge to not sit properly in the housing and will prevent the housing from closing all the way.
* Hand tighten. Do not overtighten housing.