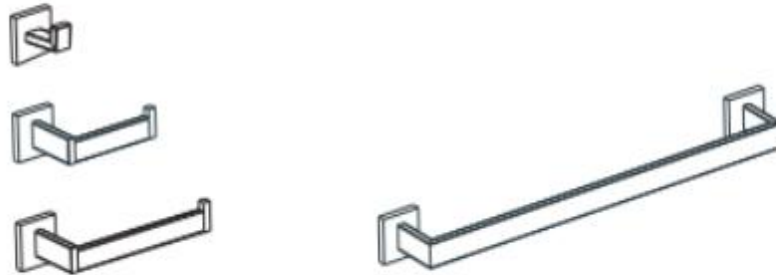
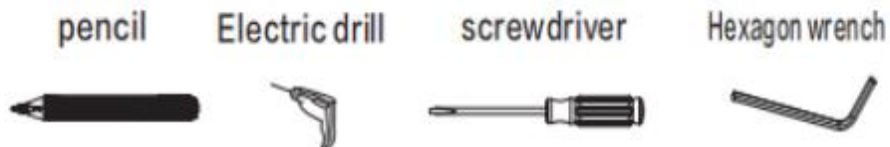


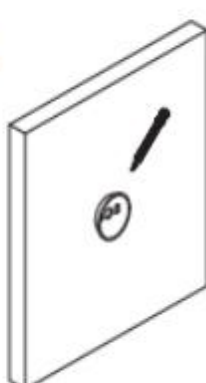
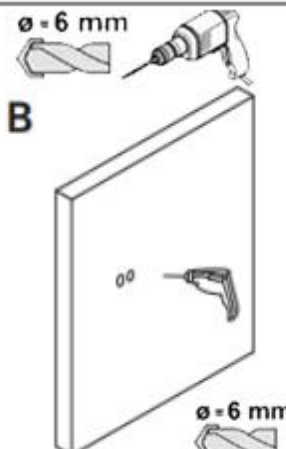
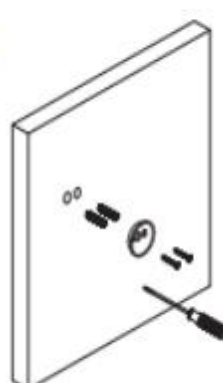
Installation instructions for bathroom pendant

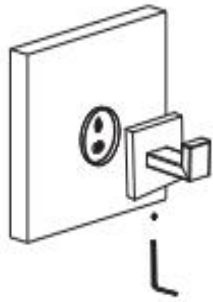


The tools you will use

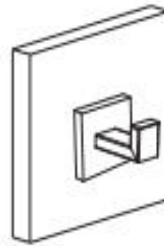


Installation steps

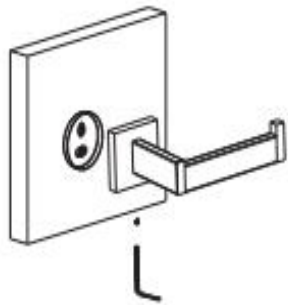
<p>A</p>  <p>Put the mounting base in the mounting position and draw the position of the opening with pencil</p>	<p>B</p>  <p>Use an electric drill to open a hole with a diameter of 6mm and a depth of 15-20mm</p>	<p>C</p>  <p>Install the mounting base in the order shown in the diagram</p>
--	---	--



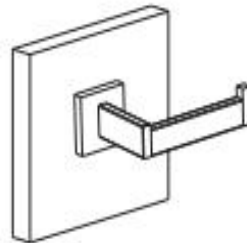
Fix the product body
and mounting base
with screws



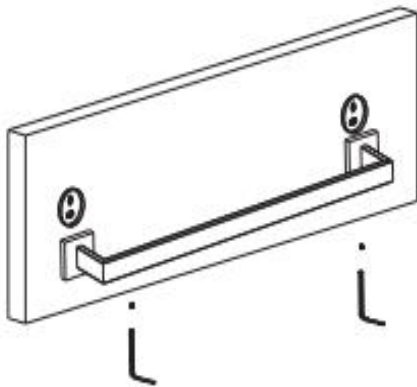
The installation is complete



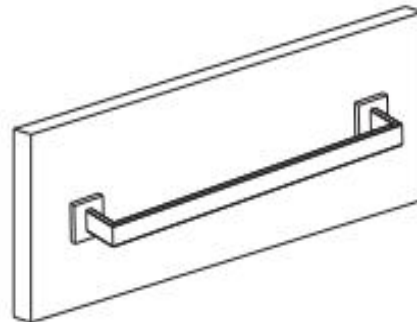
Fix the product body
and mounting base
with screws



The installation is complete



Fix the product body
and mounting base
with screws



The installation is complete