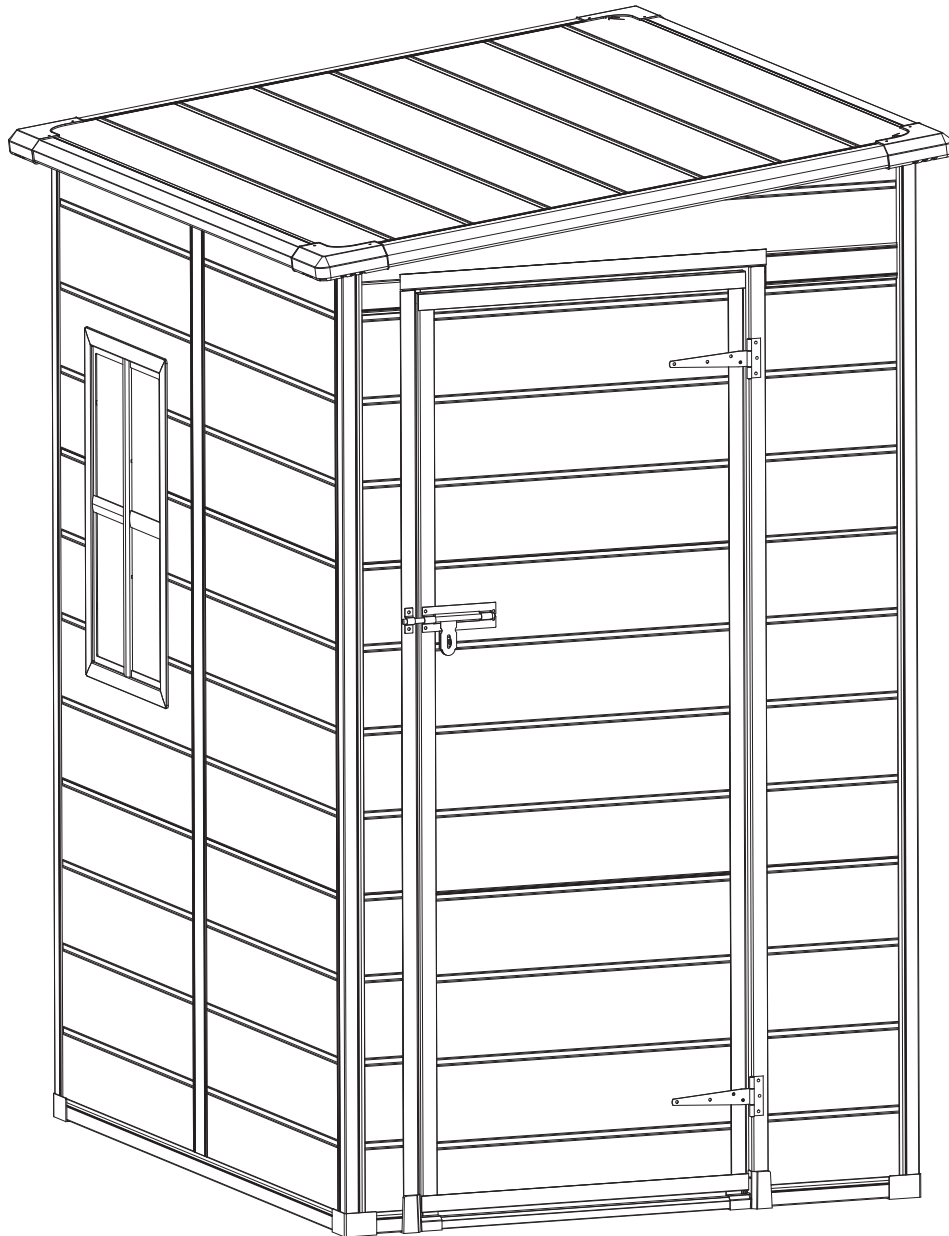


RESIN OUTDOOR STORAGE SHED 5X4FT

Instructions for Assembly

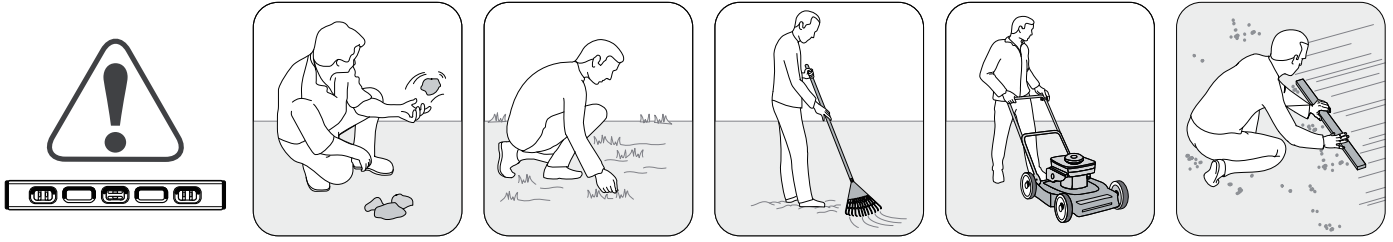


WARNING

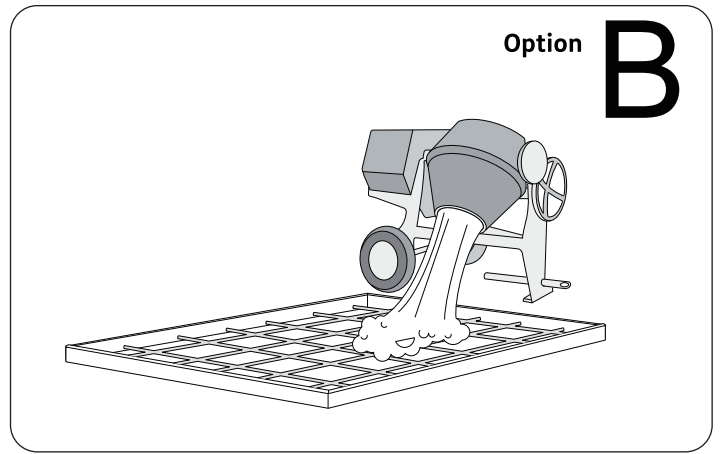
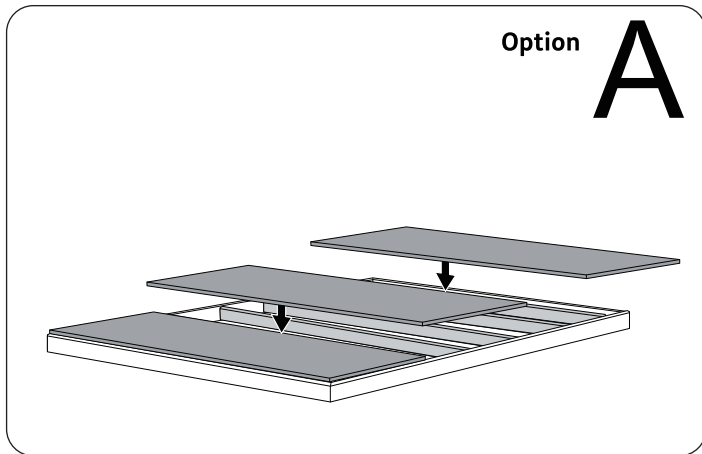
Please read the instruction manual carefully before assembly.
Please assembly strictly in accordance with the instruction.
Please double-check to ensure that all parts of the package contents intact.
To avoid injury, work gloves are recommended during assembly.

SITE PREPARATION

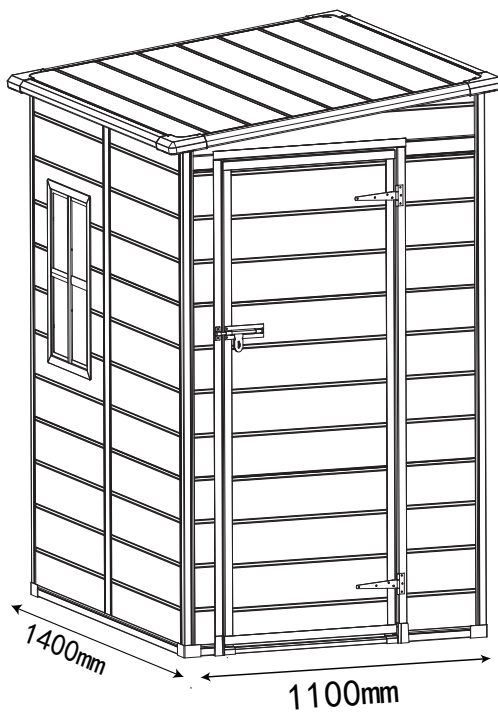
Level the ground surface



Recommendation: Construct a wooden or concrete base as a foundation



External floor measurements are:



BEFORE STARTING ASSEMBLY

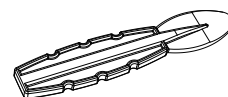
Read the care and safety guidelines at the end of this manual | Check to ensure that there are no missing or damaged parts BEFORE starting or arranging assembly | Remove all parts from the package(s) and spread them out on a clean work surface | Review all assembly instructions | Assemble all the parts according to the directions in this manual. Do not skip any steps.

REQUIRED TOOLS



SPATULA

- Use spatula (part “**SG8**”) for easier insertion of panel into profile.

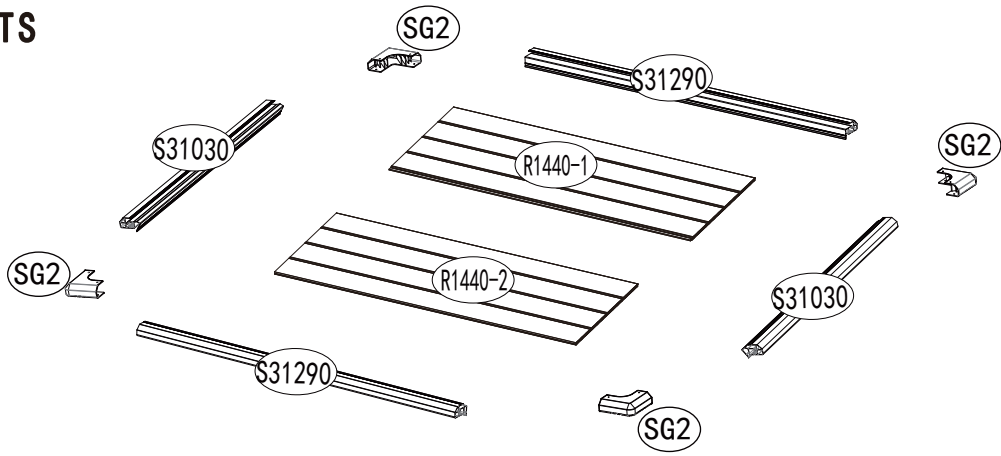


SG8 x2

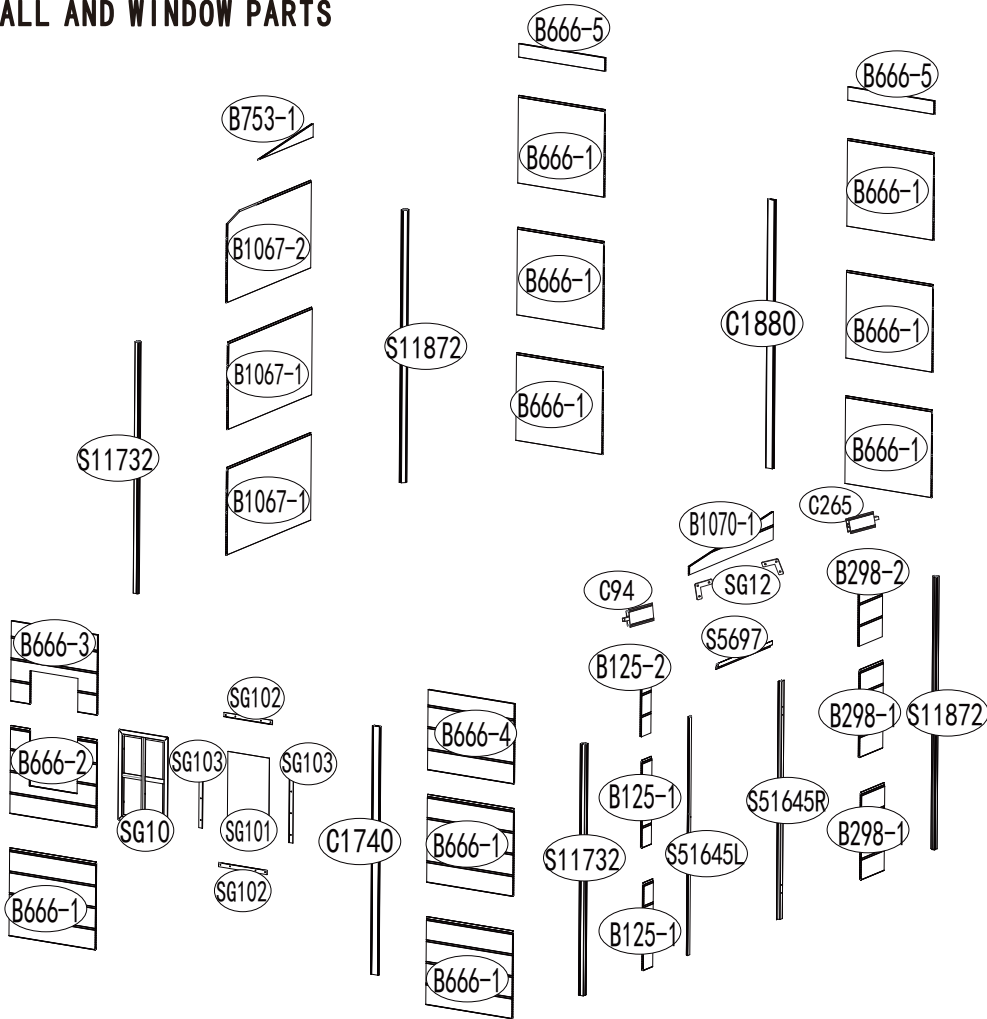


ASSEMBLY REQUIRES TWO PEOPLE

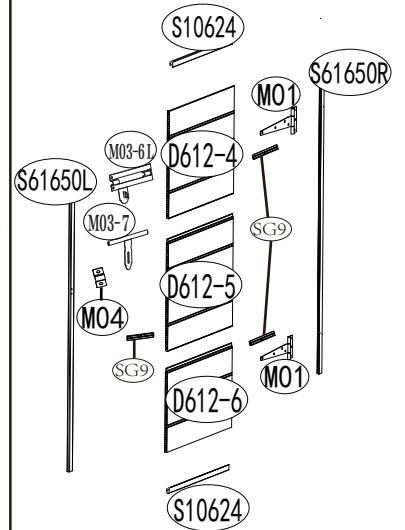
ROOF PARTS



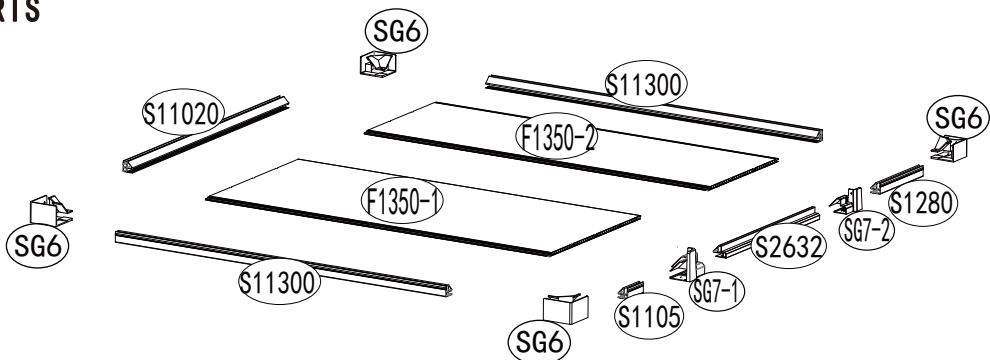
WALL AND WINDOW PARTS




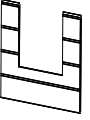
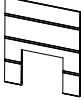
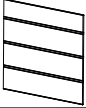





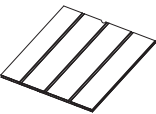
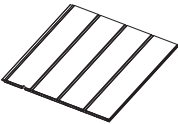
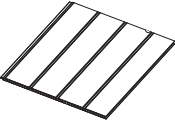


DOOR PARTS



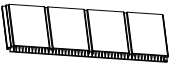
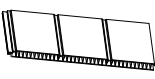
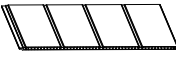
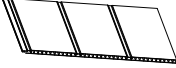
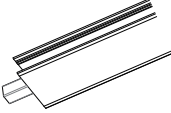
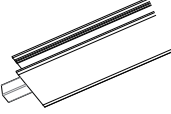
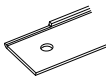
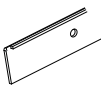
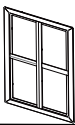





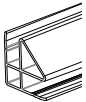

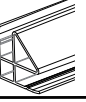
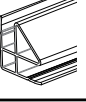

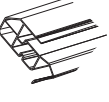

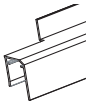
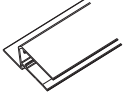
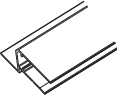
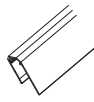



FLOOR PARTS



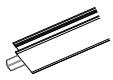

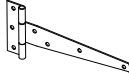
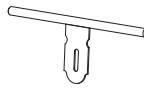
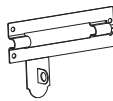
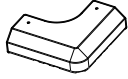
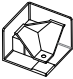
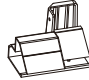


PARTS LIST


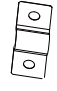
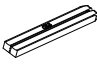

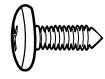
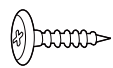

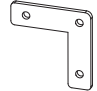
NO.	PART	Qty.
B666-1		9
B666-2		1
B666-3		1
B666-4		1
B666-5		2
B753-1		1
B1070-1		1
B1067-1		2
B1067-2		1
D612-4		1
D612-5		1
D612-6		1
R1440-1		1
R1440-2		1


NO.	PART	Qty.
F1350-1		1
F1350-2		1
B125-1		2
B125-2		1
B298-1		2
B298-2		1
C1740		1
C1880		1
SG102		2
SG103		2
SG10		1
SG101		1
S1105		1
S1280		1

NO.	PART	Qty.
S11020		1
S11732		2
S11872		2
S11300		2
S2632		1
S31290		2
S31030		2
S5697		1
S51645R		1
S51645L		1
S61650R		1
S61650L		1
S10624		2
C94		1

PARTS LIST

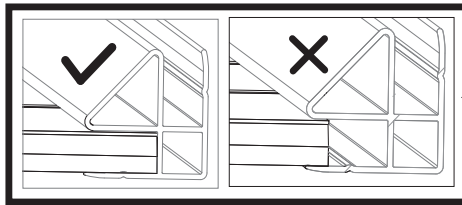
NO.	PART	Qty.
C265		1
SG8		2
M01		2
M03-7		1
M03-6L		1
SG2		4
SG6		4
SG7-1		1
Sealing -1		1
Sealing -2		2

NO.	PART	Qty.
SG7-2		1
M04		1
SG9		3
Drill		1
Z410		64
Z420		108
ZW413		20
SG12		2

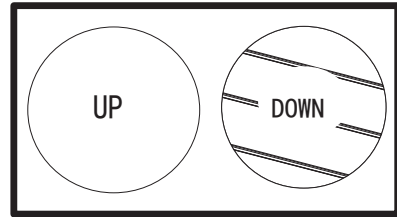
- Use spatula  (part "SG8") for easier insertion of panel into profile
- Please ensure the panels are all installed on position before screwing



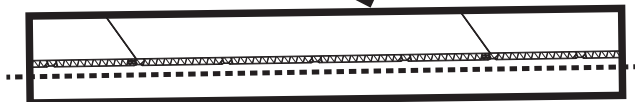
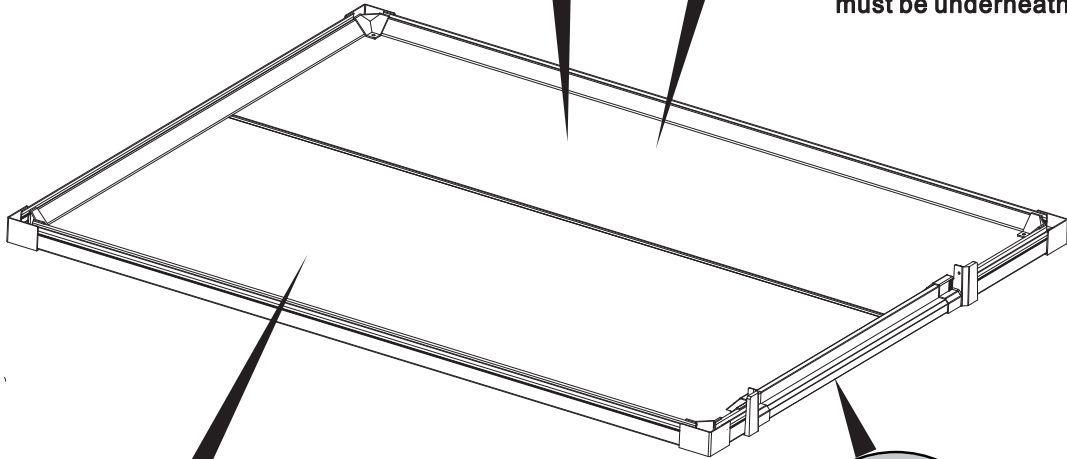
FLOOR ASSEMBLY



● Fully fit the panel inside the profile



● Note: The crease line of the floor must be underneath



● Panels are in a straight line after installation.



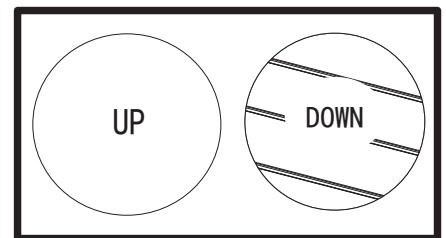
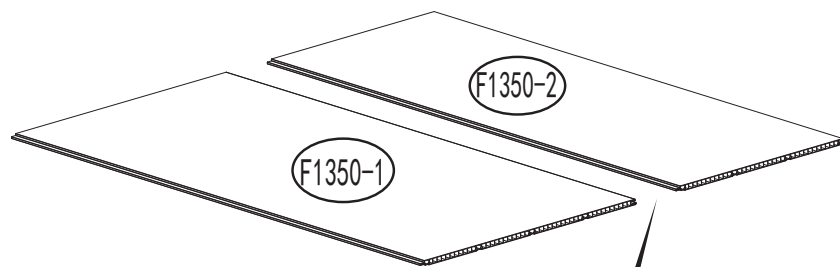
● Use spatula (part "SG8") for easier insertion of panel into profile

1

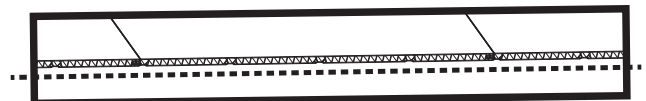
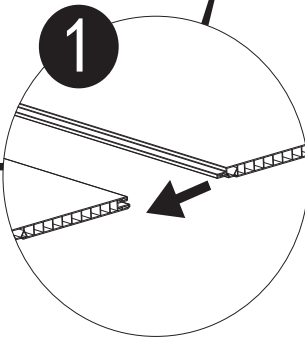
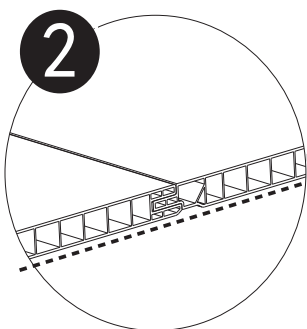
F1350-1
(x1)



F1350-2
(x1)



● Grain should be down



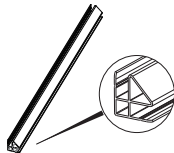
● Panels are in a straight line after installation.

2

SG6
(x2)



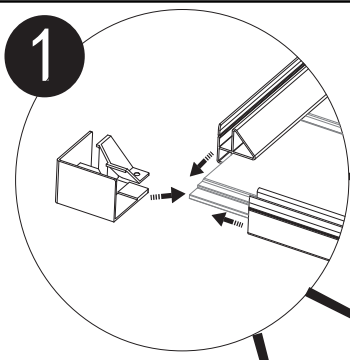
S11300
(x2)



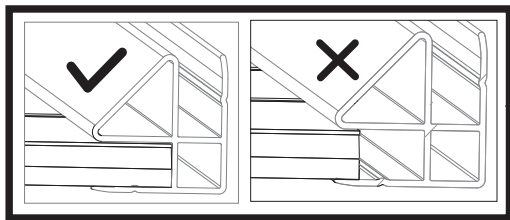
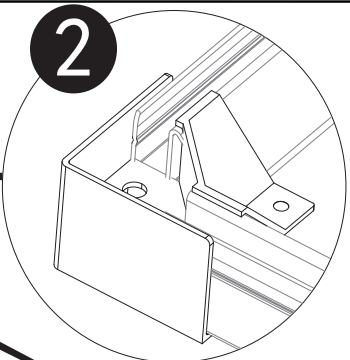
S11020
(x1)



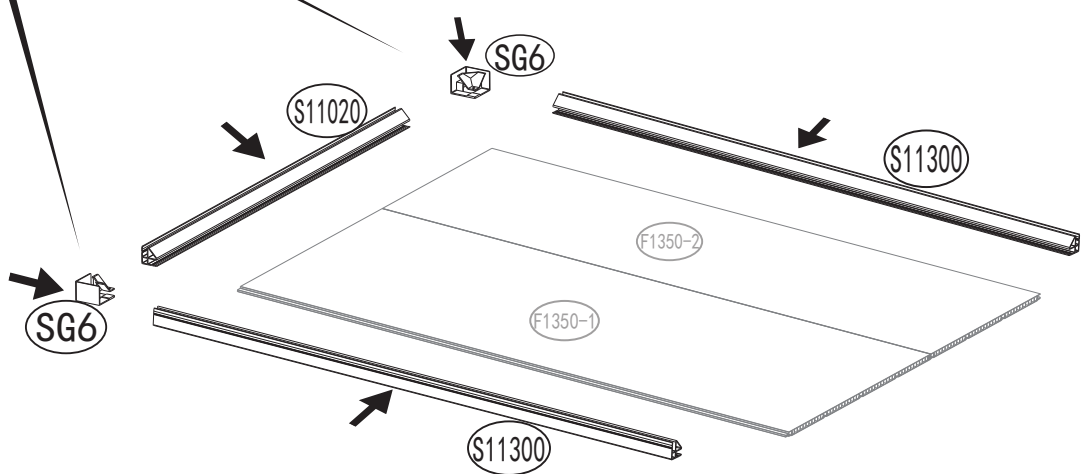
1



2



● Fully fit the panel inside the profile



3

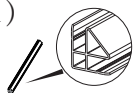
SG6
(x2)



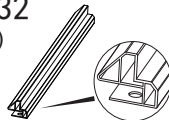
S1280
(x1)



S1105
(x1)



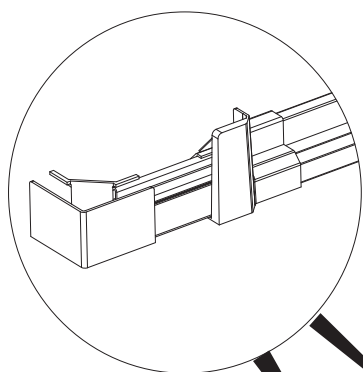
S2632
(x1)



SG7-2
(x1)



SG7-1
(x1)



SG6



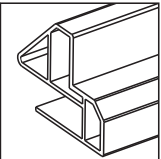
S1105



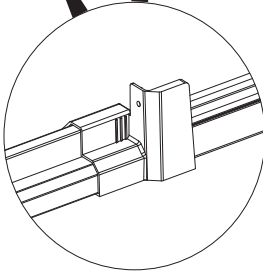
SG7-1



S2632



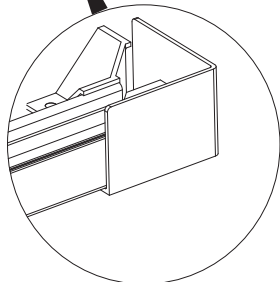
SG7-2



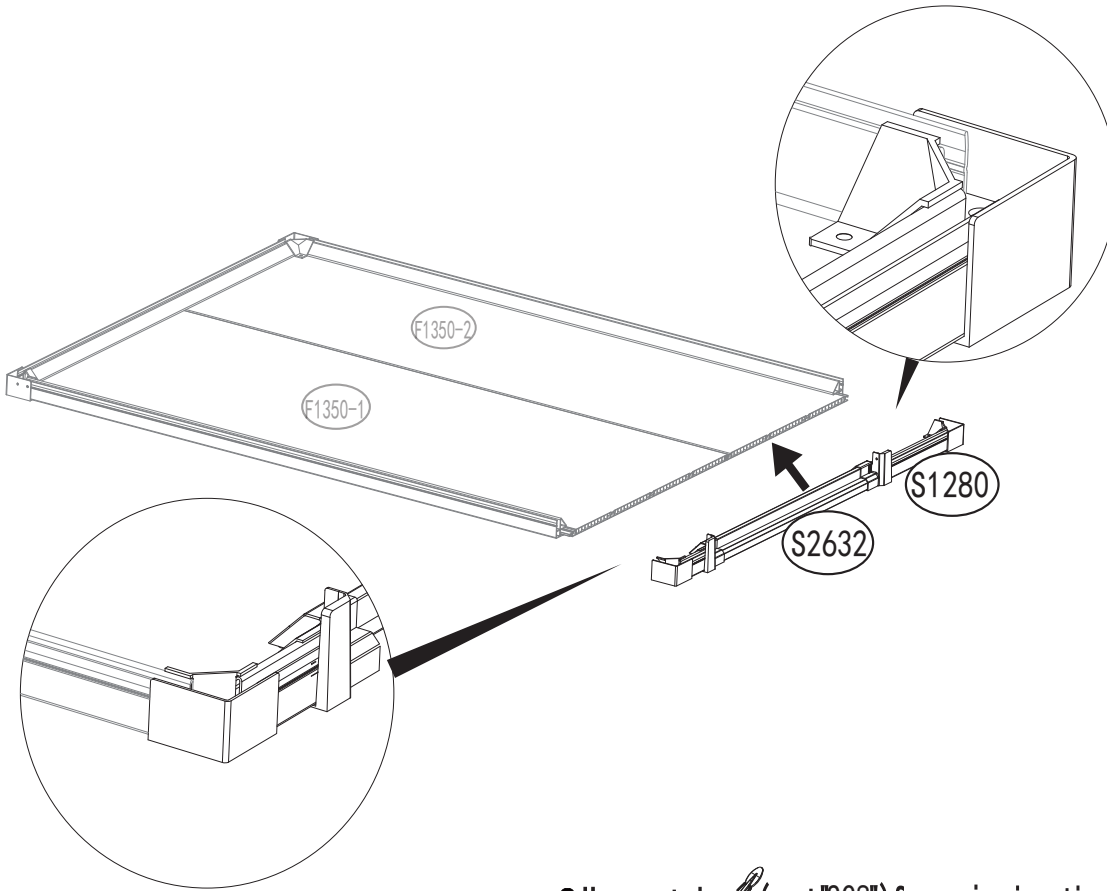
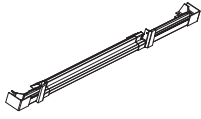
S1280



SG6



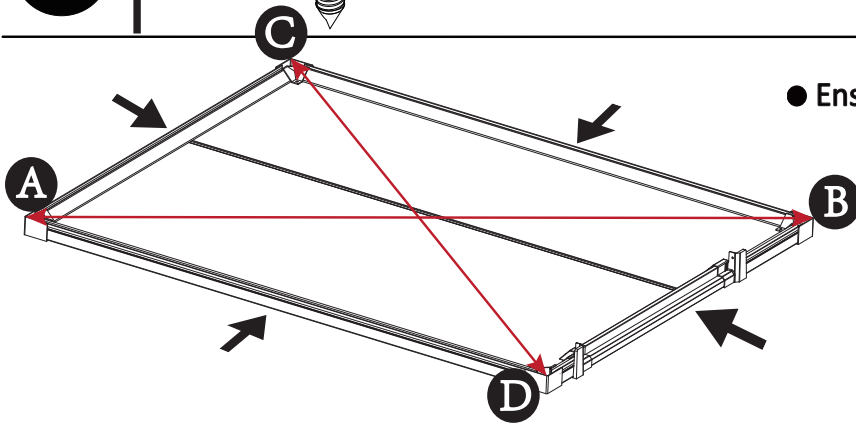
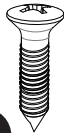
4



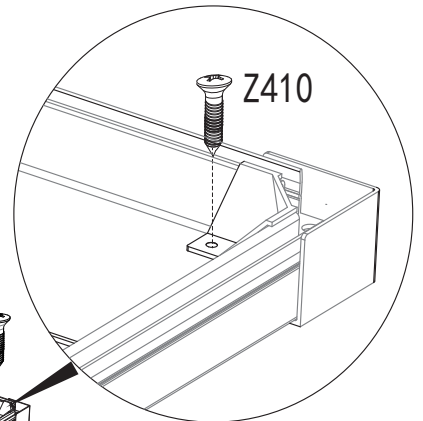
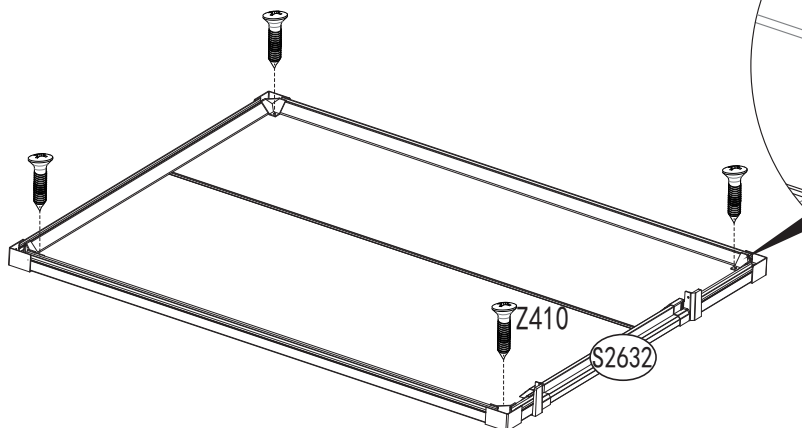
● Use spatula (part "SG8") for easier insertion of panel into profile

5

Z410
(x4)

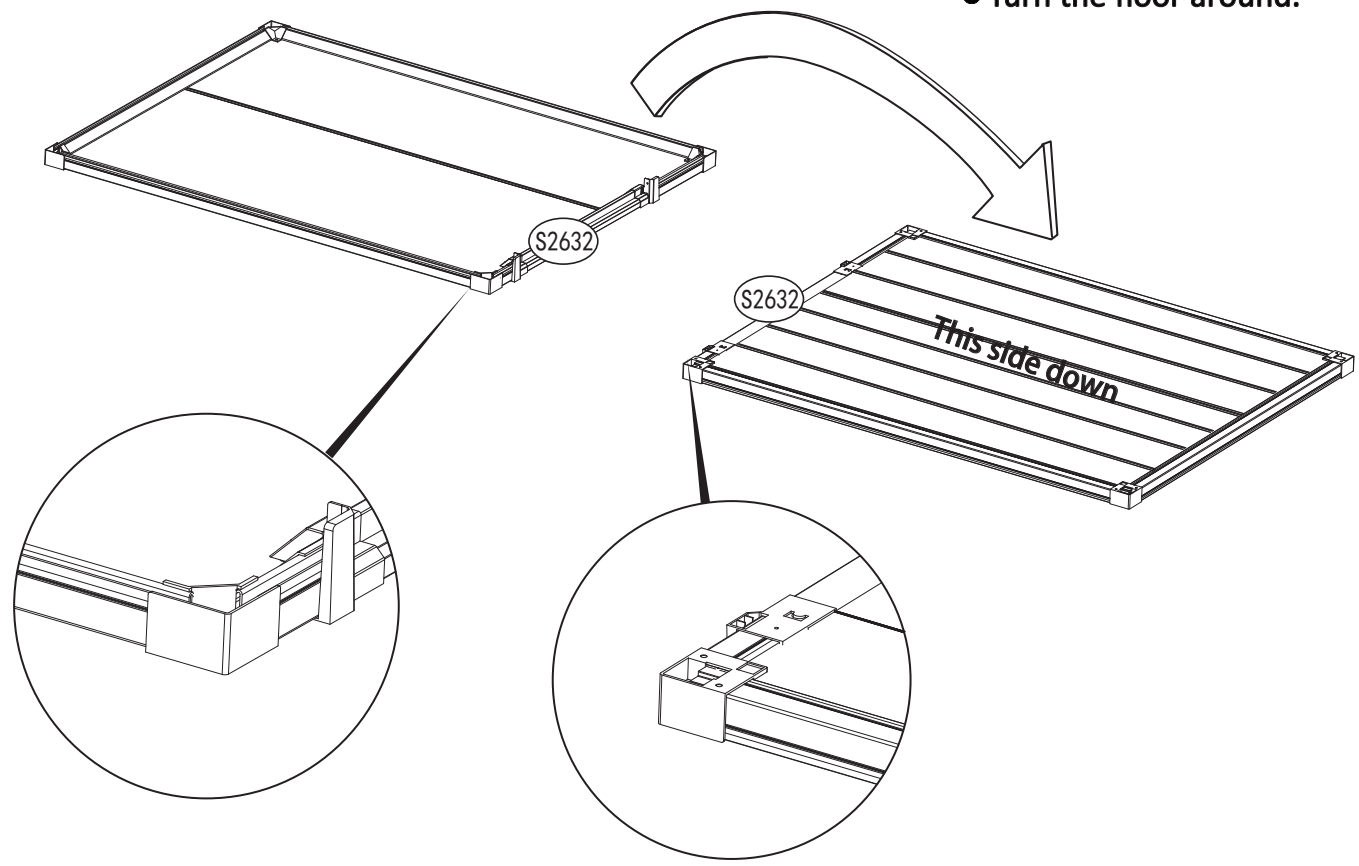


● Ensure AB equal to CD before nailing.



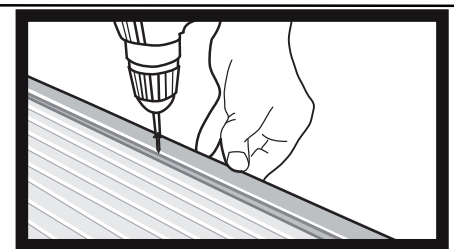
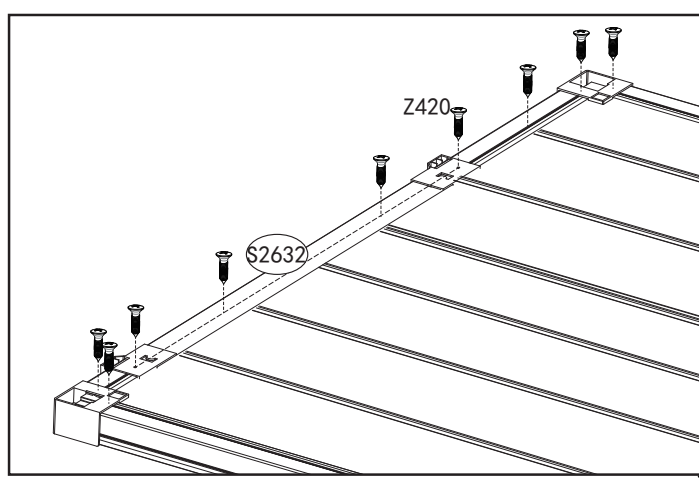
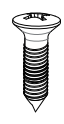
6

● Turn the floor around.

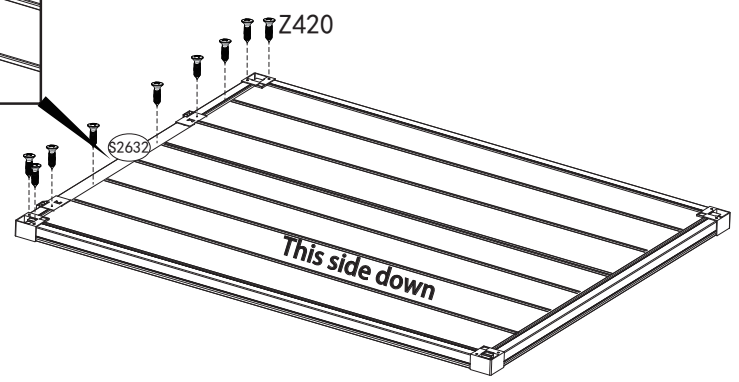


7

Z420
(x9)

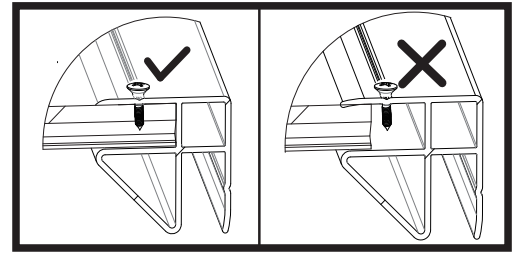
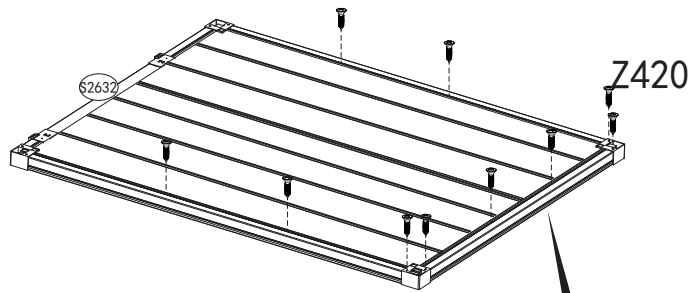


● Nail along the marked line on profile

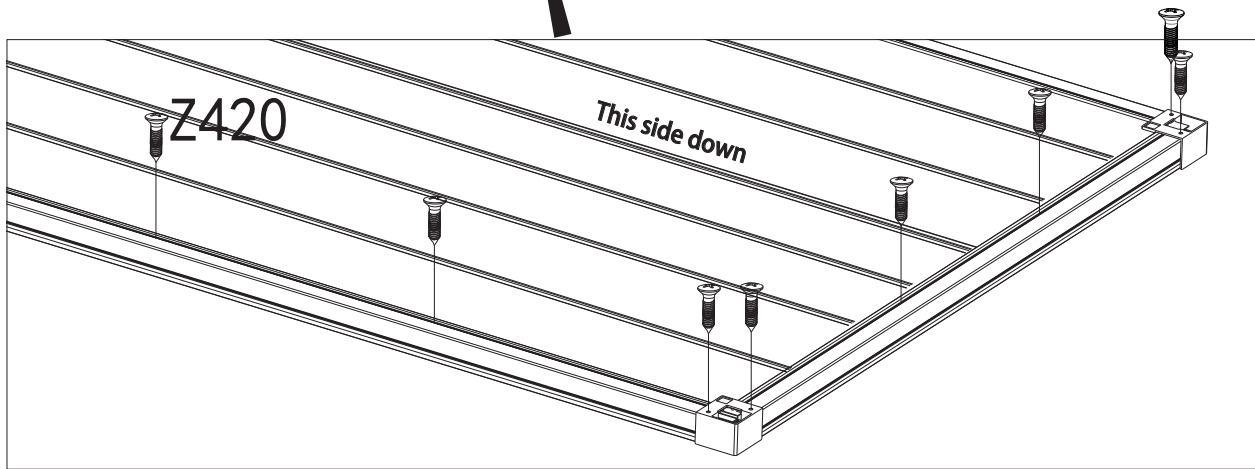


8

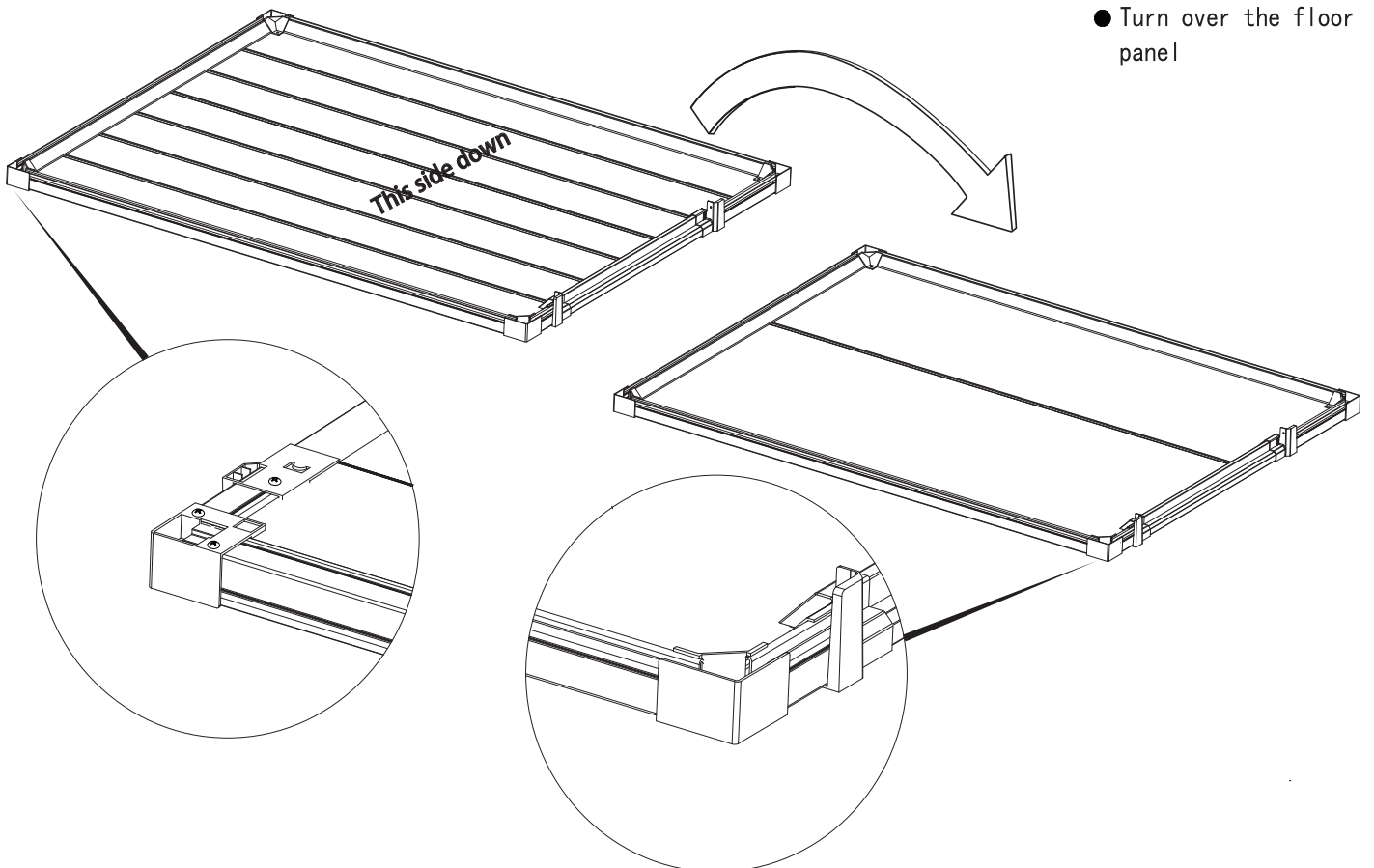
Z420
(x10)



● Nail along the marked line on profile.

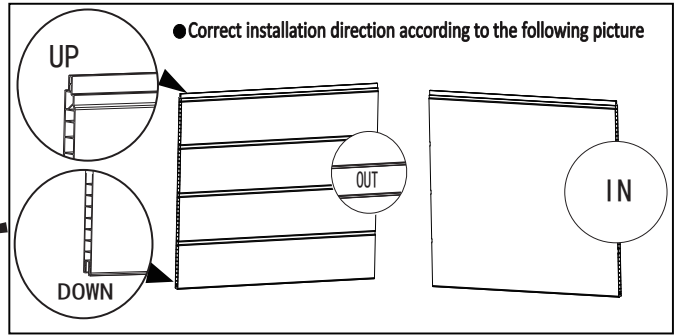


9

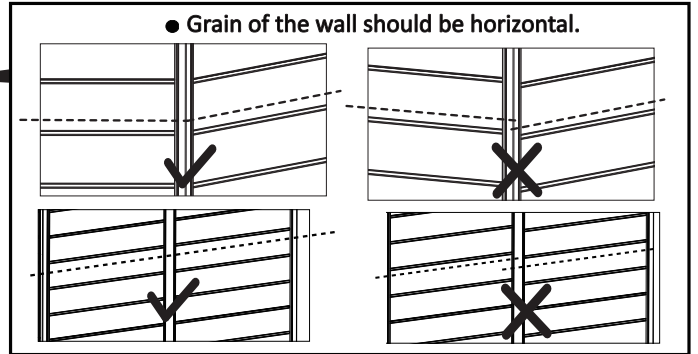


● Turn over the floor panel

FLOOR ASSEMBLY

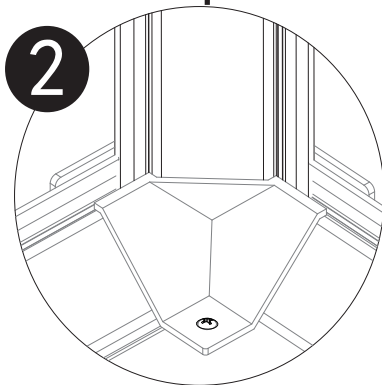
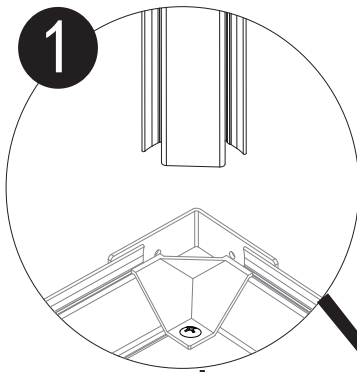
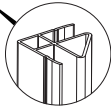


● Use spatula (part "SG8") for easier insertion of panel into profile.

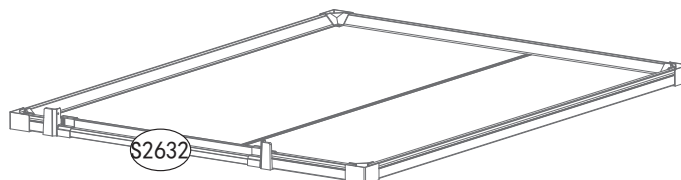


10

S11732
(x1)



S11732



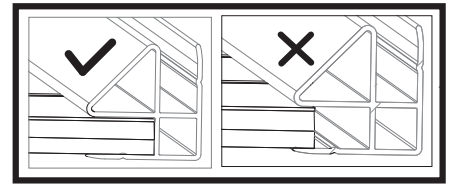
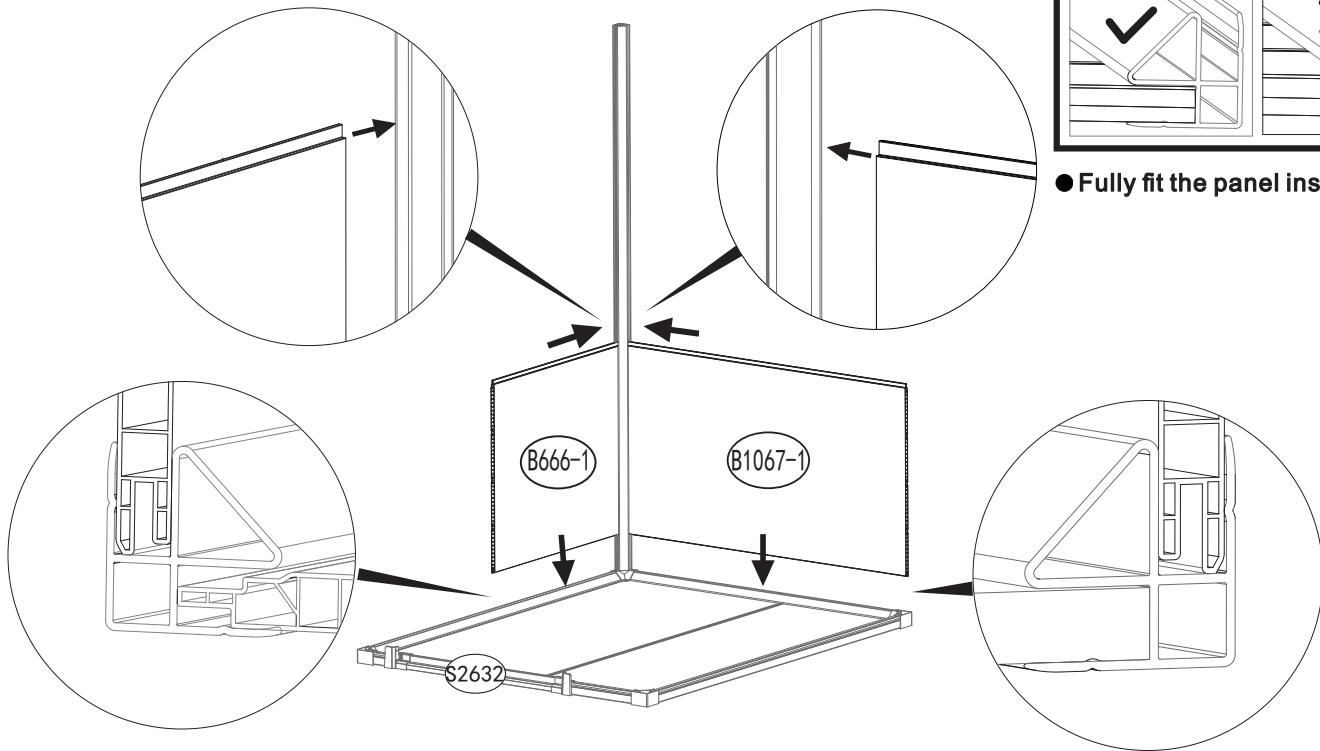
S2632

11

B1067-1
(x1)



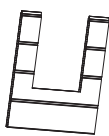
B666-1
(x1)



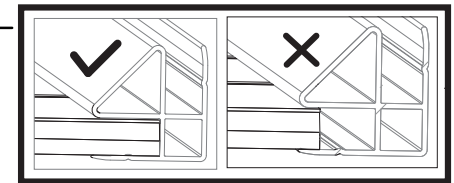
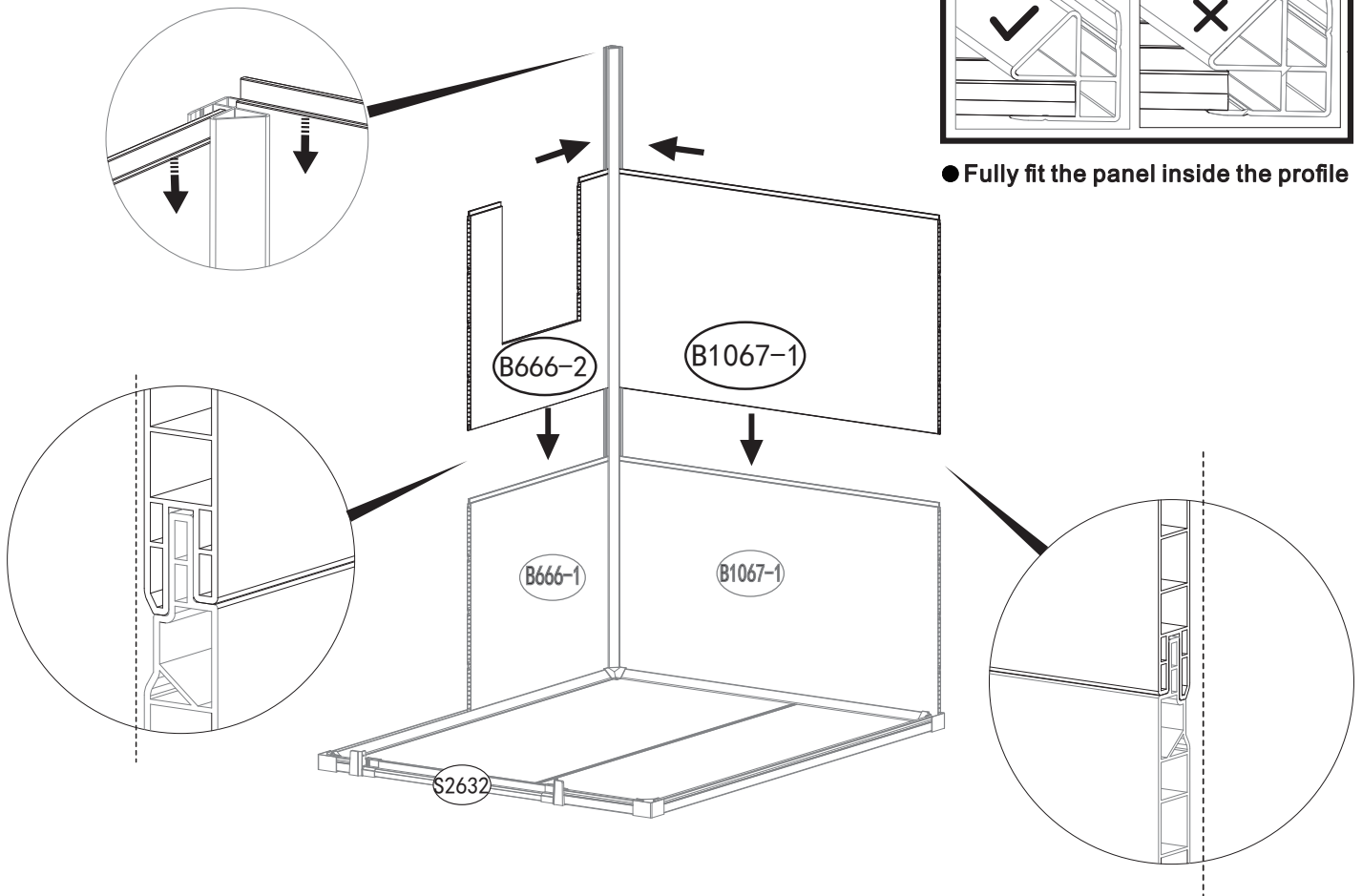
● Fully fit the panel inside the profile

12

B666-2
(x1)



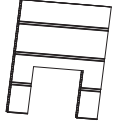
B1067-1
(x1)



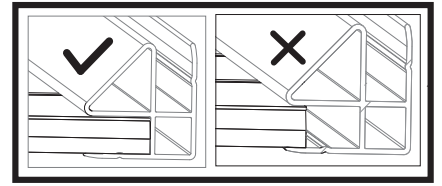
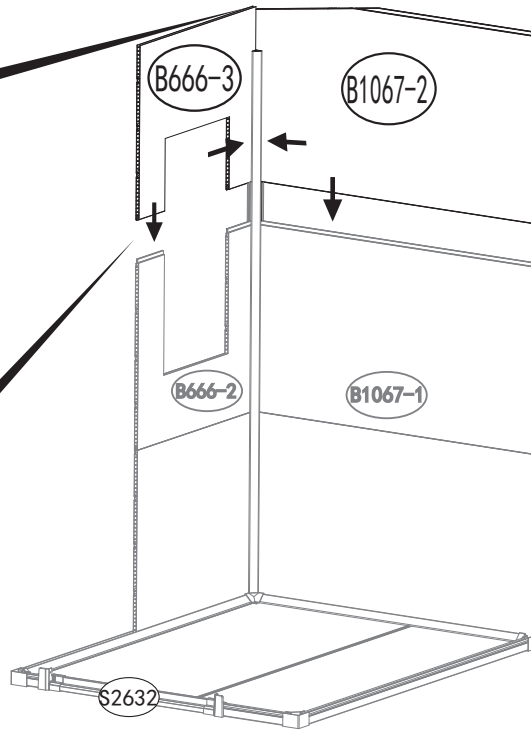
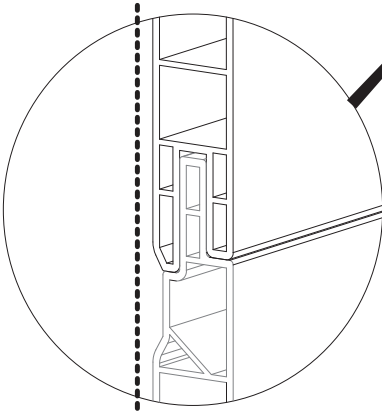
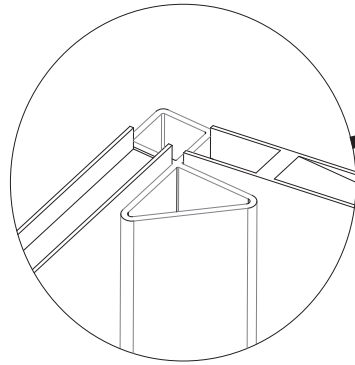
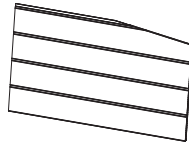
● Fully fit the panel inside the profile

13

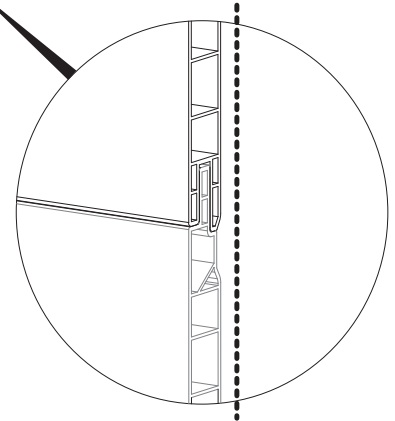
B666-3
(x1)



B1067-2
(x1)

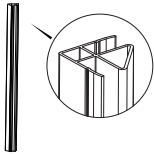


● Fully fit the panel inside the profile

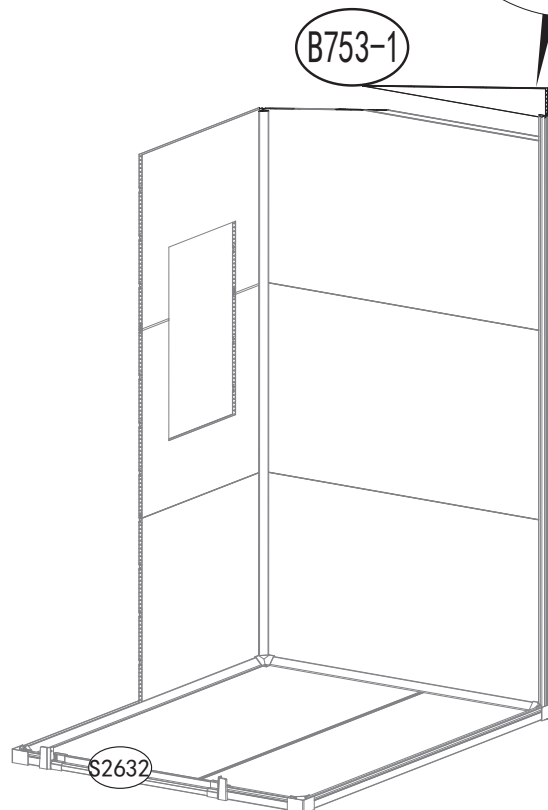
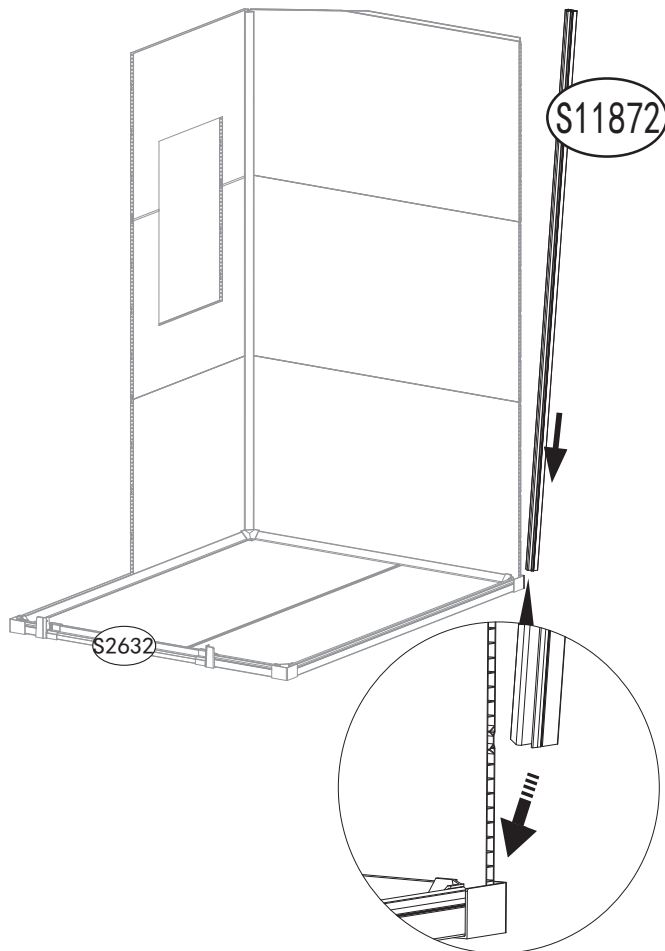
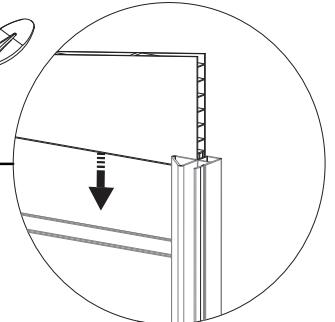
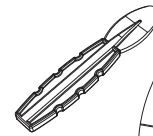
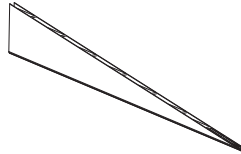


14

S11872
(x1)

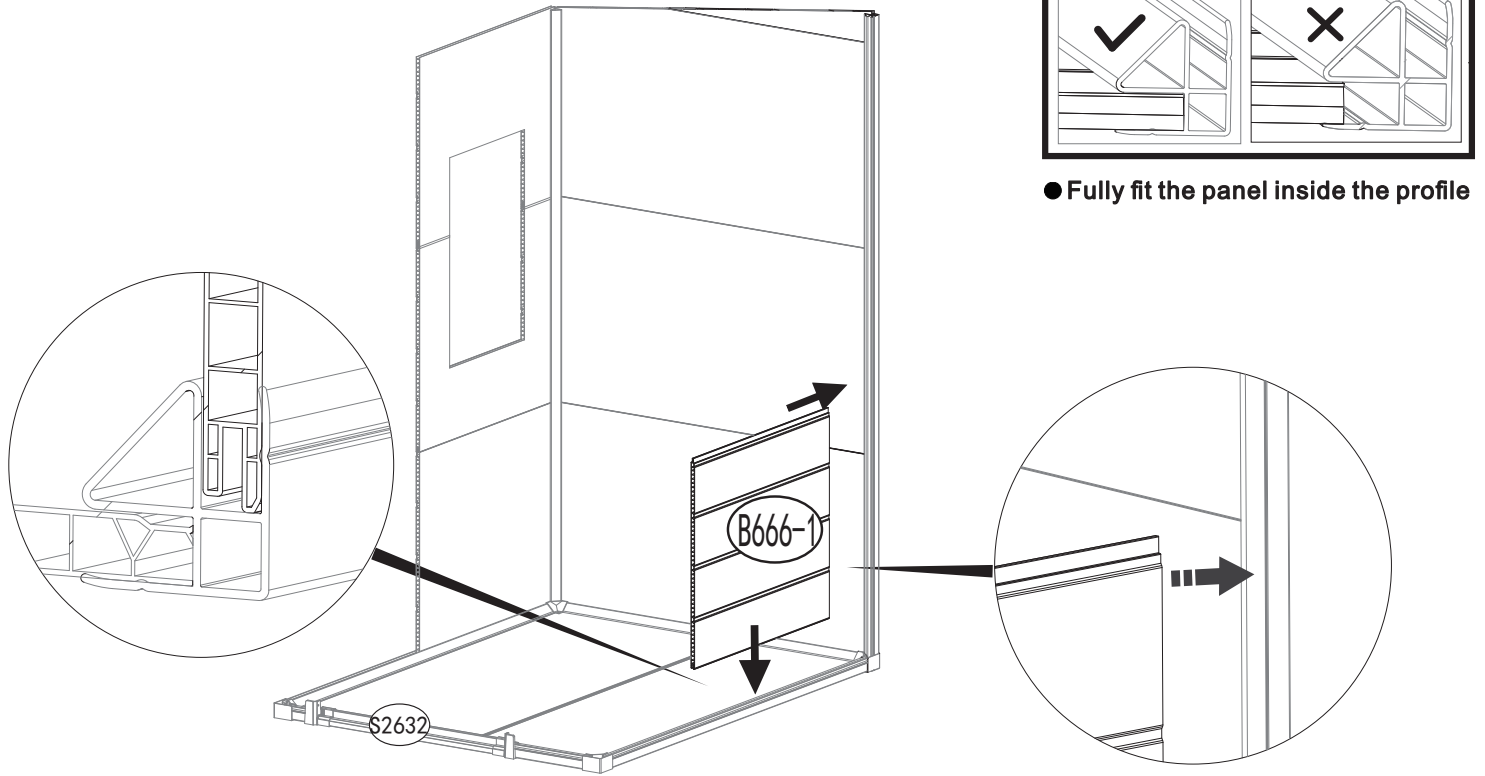
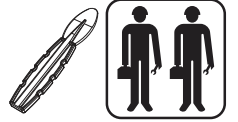


B753-1
(x1)



15

B666-1
(x1)



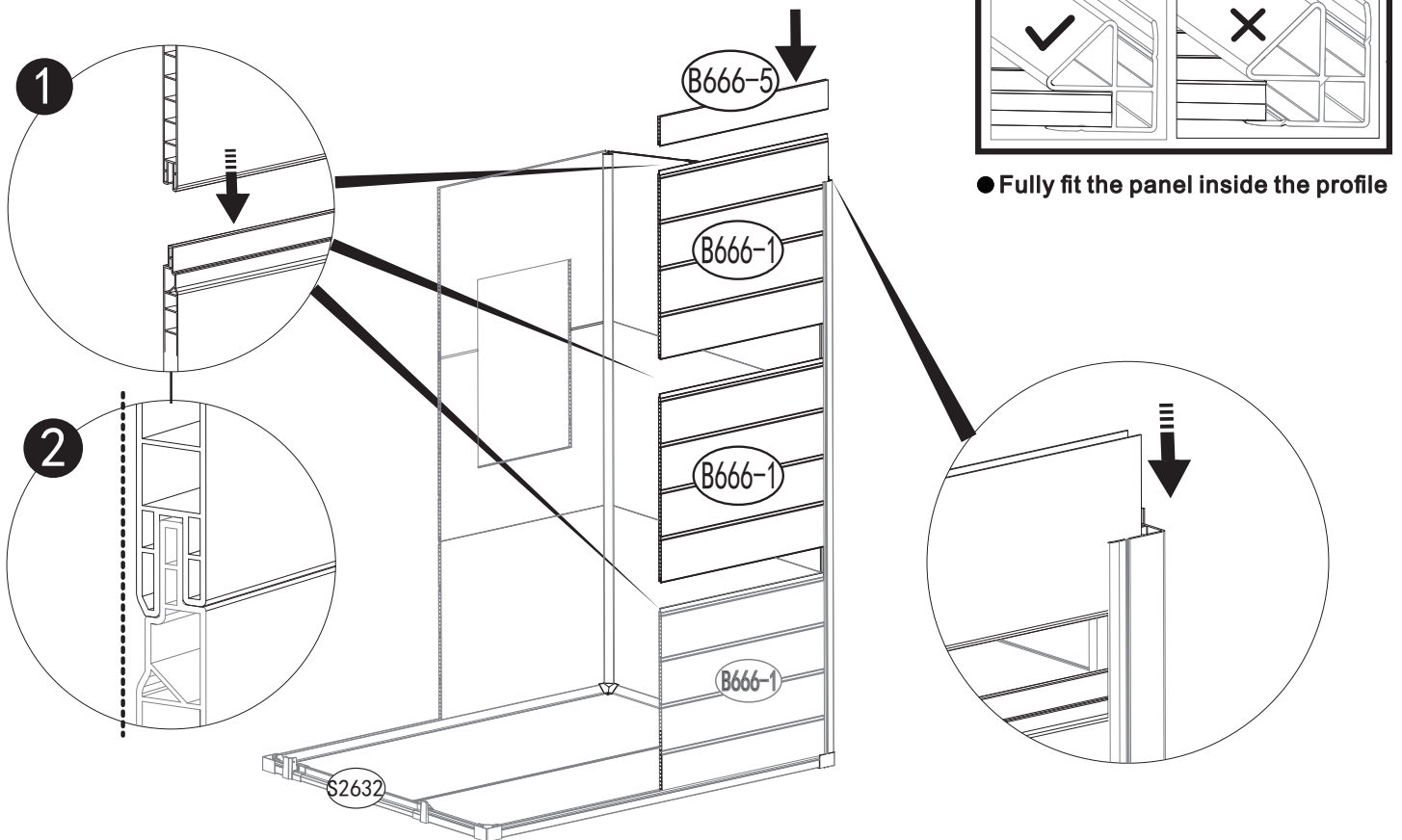
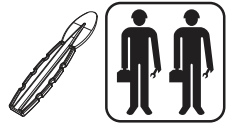
● Fully fit the panel inside the profile

16

B666-5
(x1)

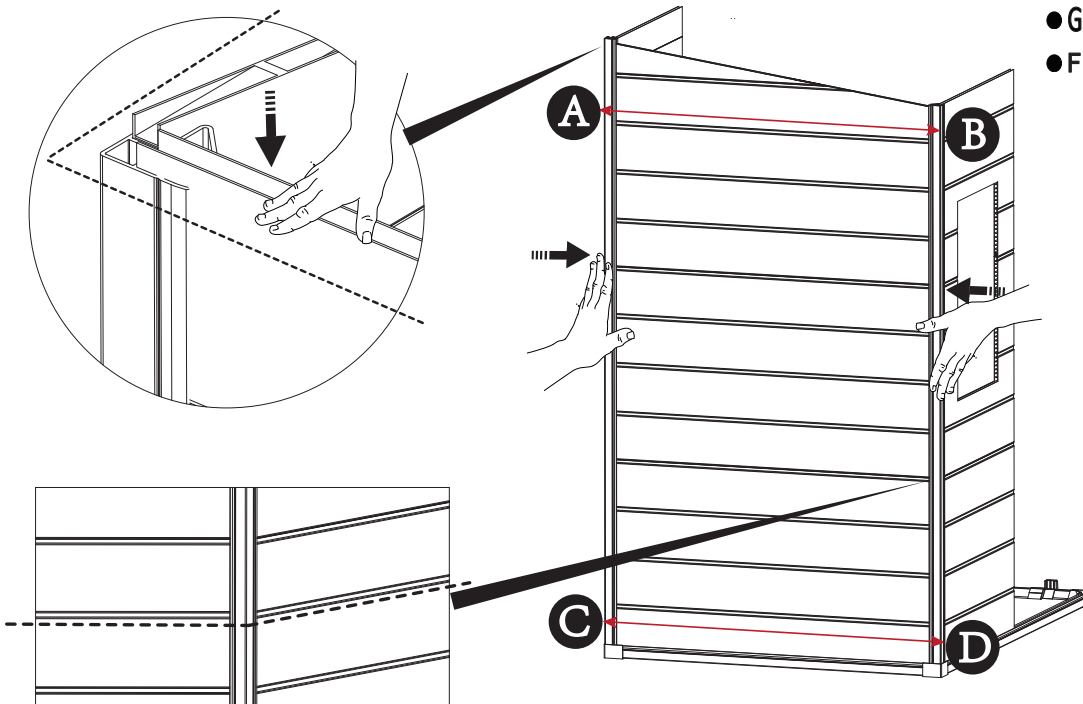


B666-1
(x2)



● Fully fit the panel inside the profile

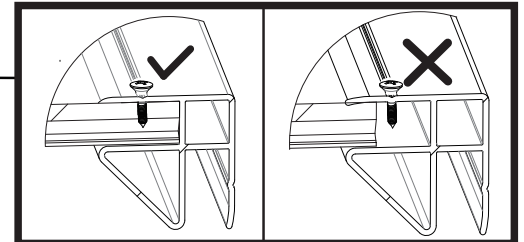
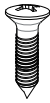
17



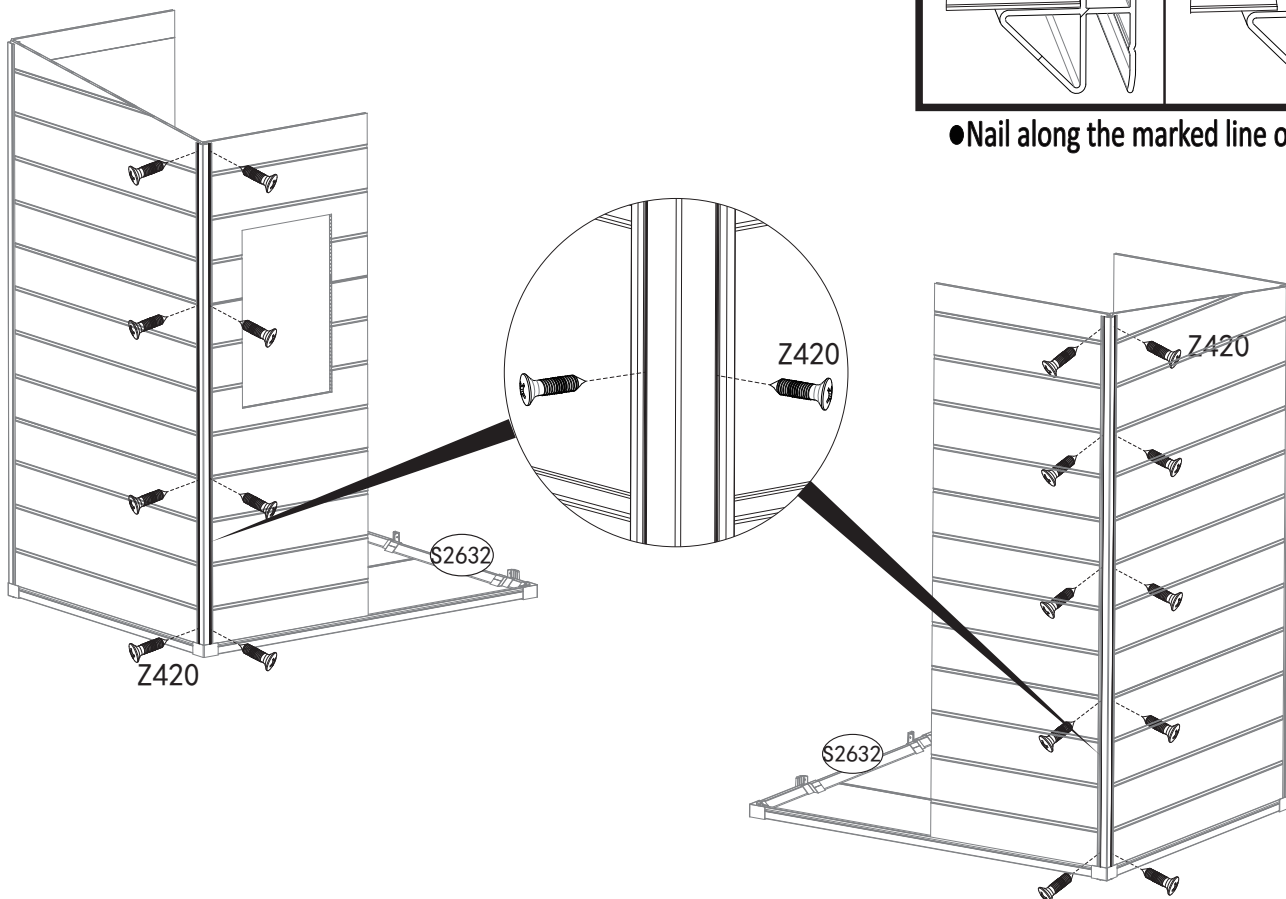
- Ensure AB equal to CD before nailing.
- Grain of the wall should be horizontal.
- Fully fit the panel inside the profile.

18

Z420
(x18)

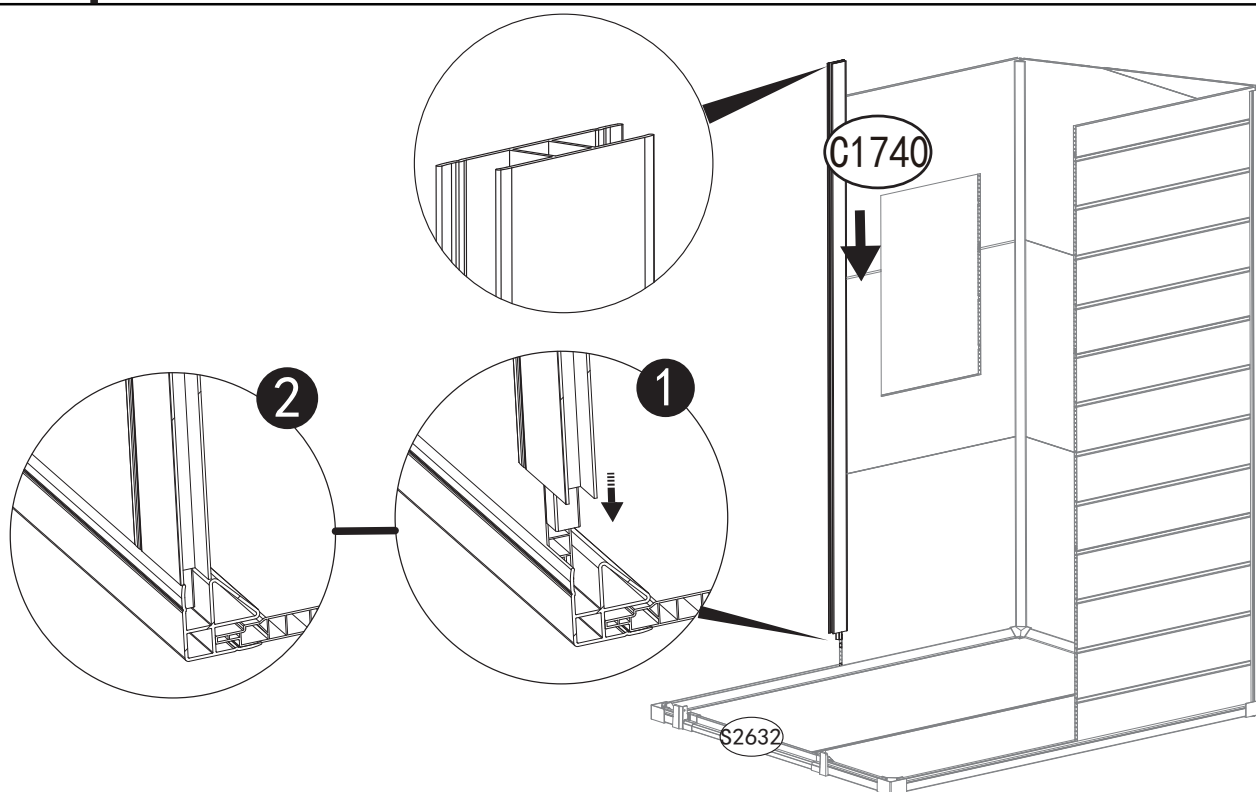
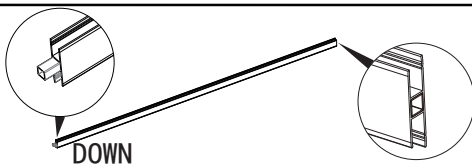


- Nail along the marked line on profile.



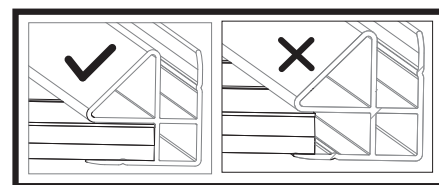
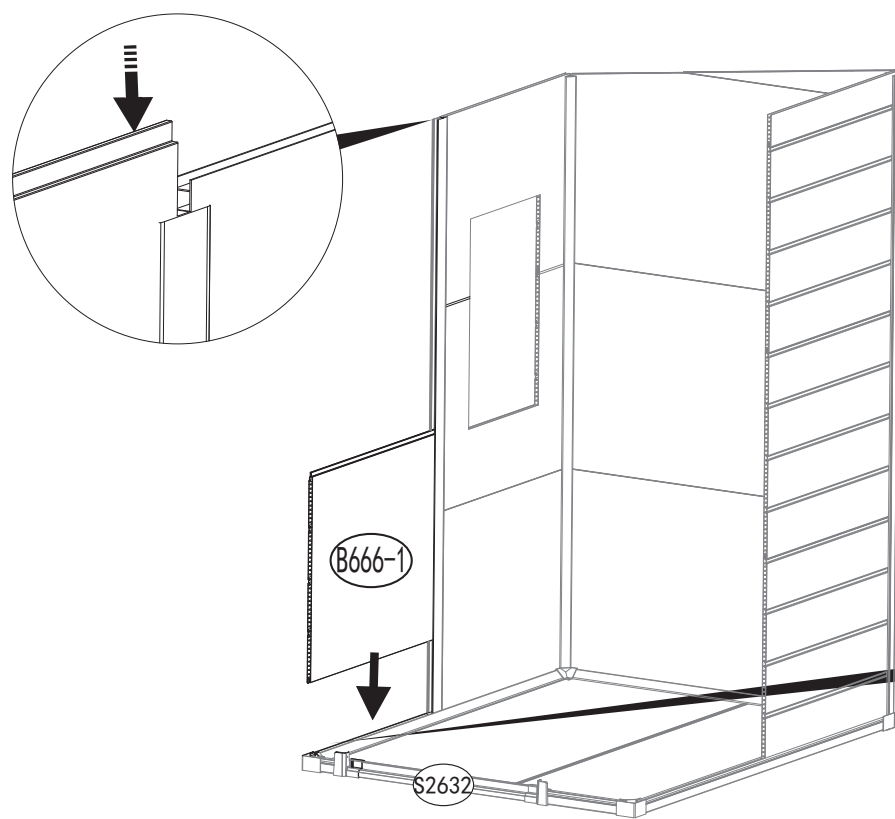
19

C1740
(x1)

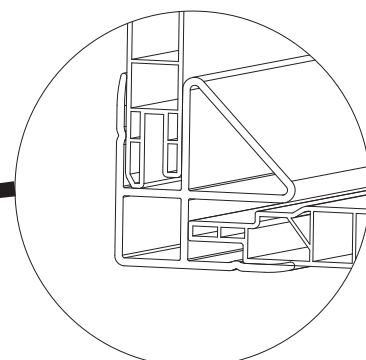


20

B666-1
(x1)



● Fully fit the panel inside the profile

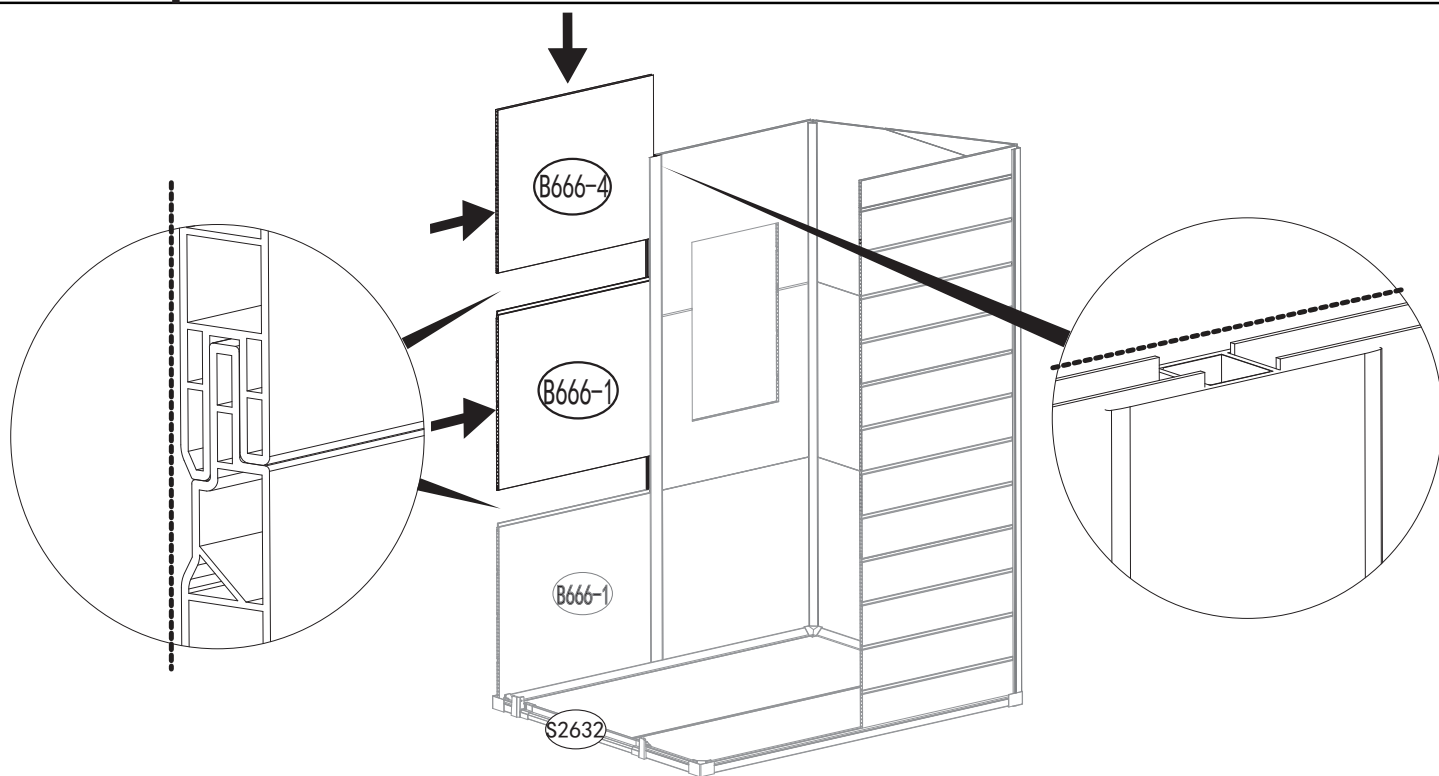


21

B666-1
(x1)

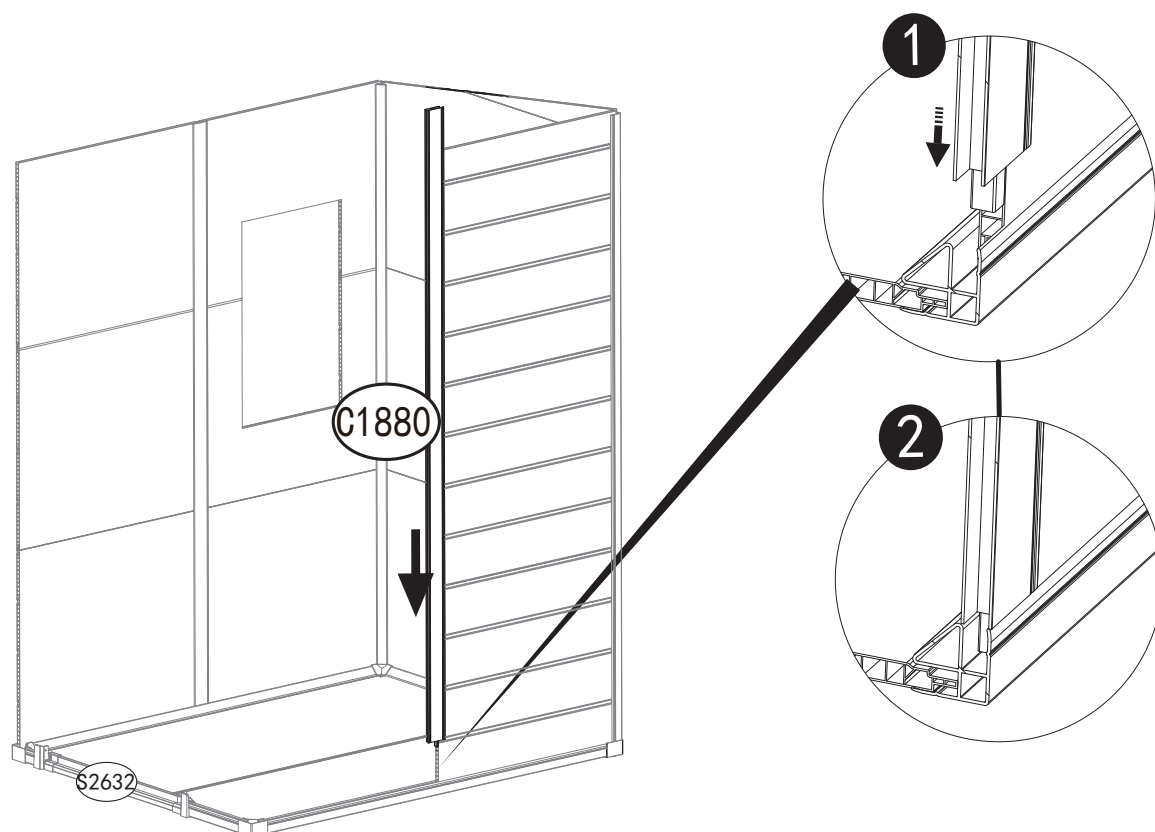
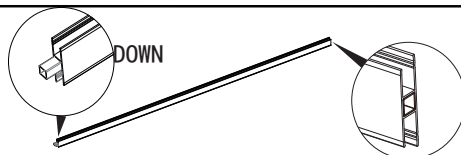


B666-4
(x1)



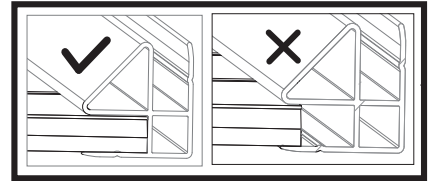
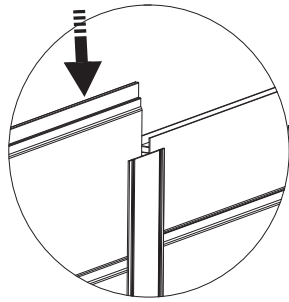
22

C1880
(x1)

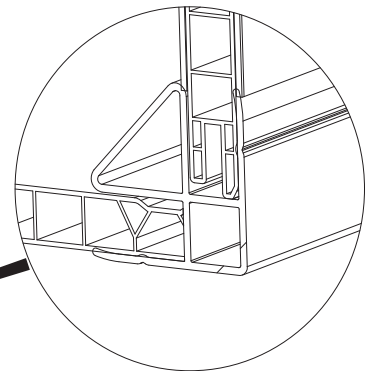


23

B666-1
(x1)



● Fully fit the panel inside the profile

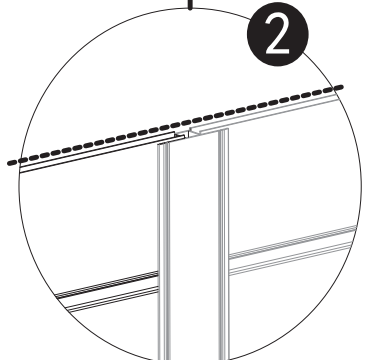
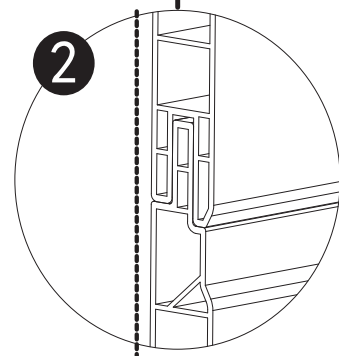
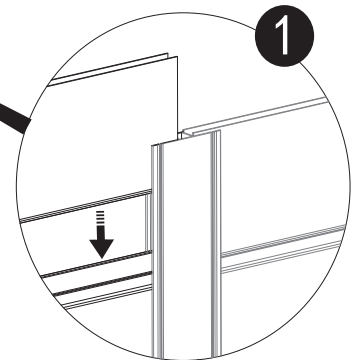
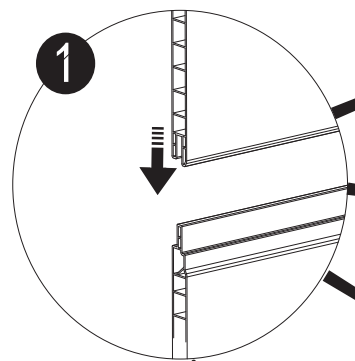


24

B666-5
(x1)

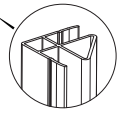


B666-1
(x2)

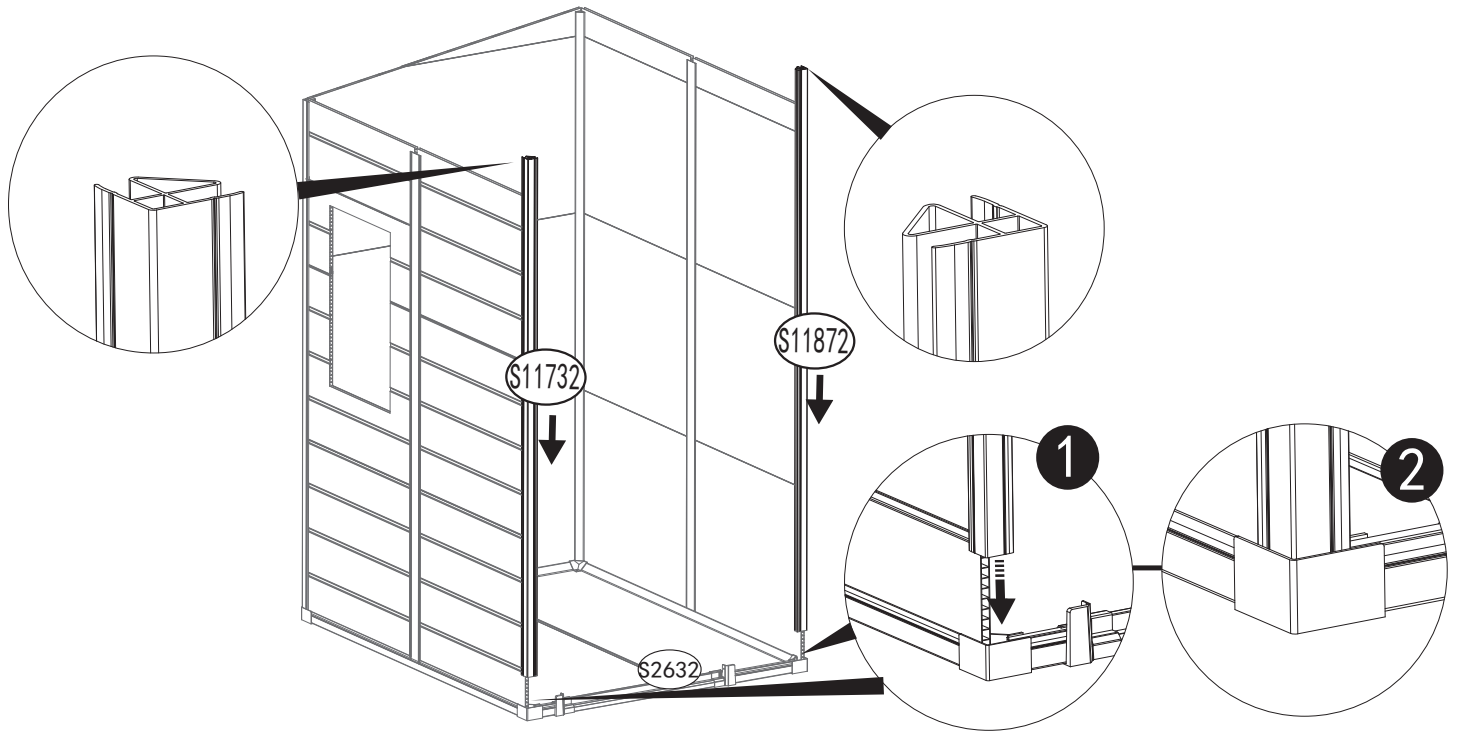
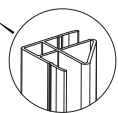


25

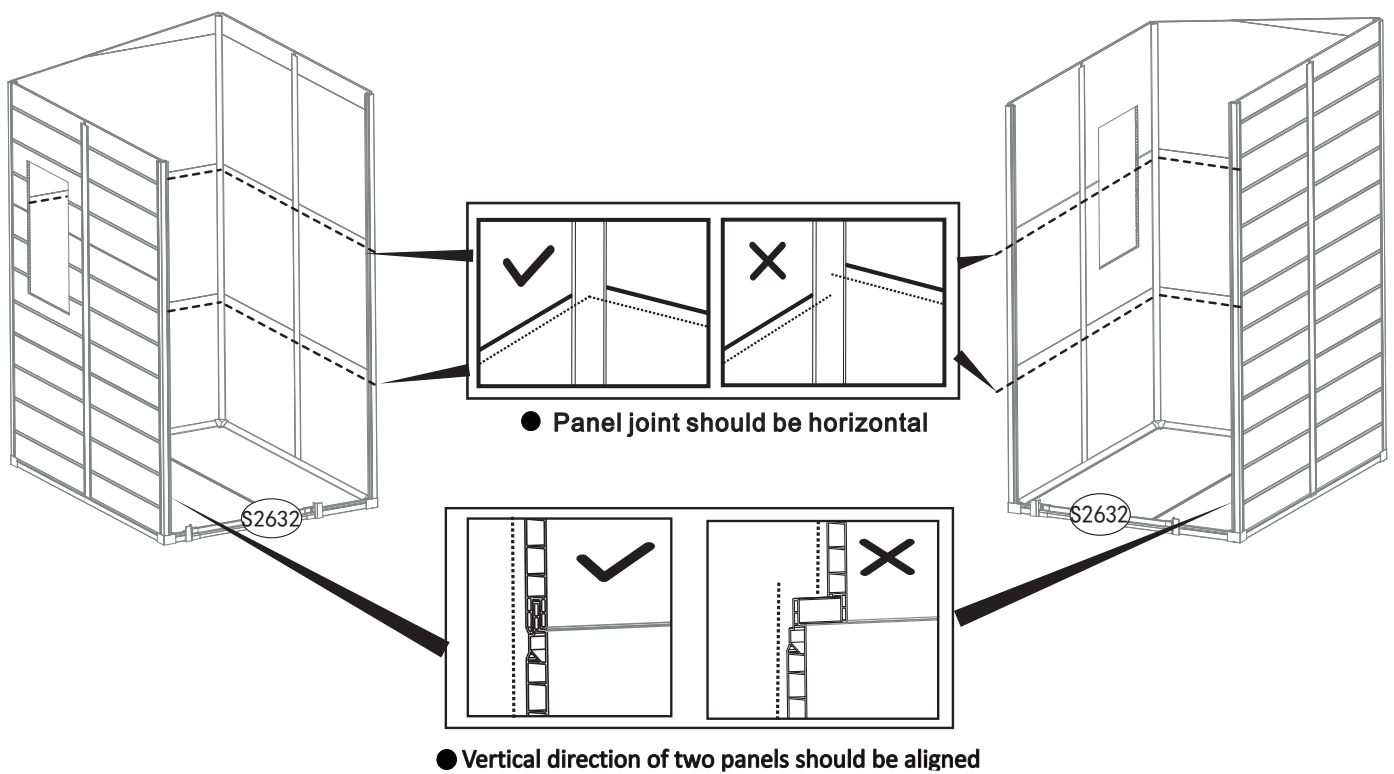
S11732
(x1)



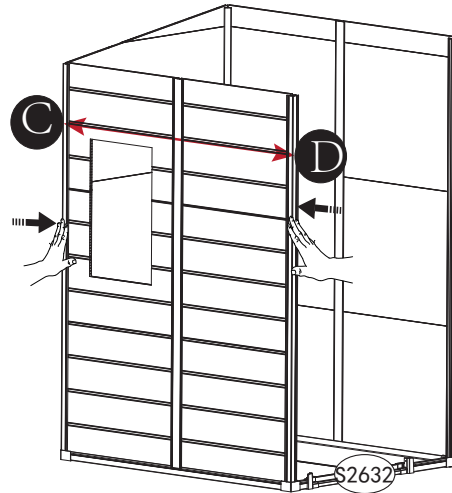
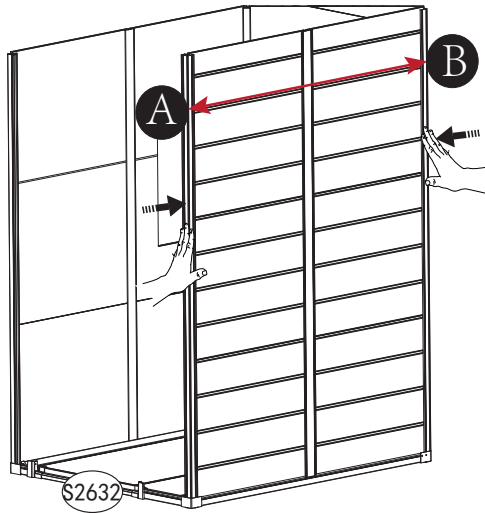
S11872
(x1)



26



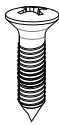
27



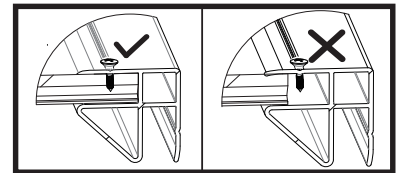
● Make sure $AB=CD$

28

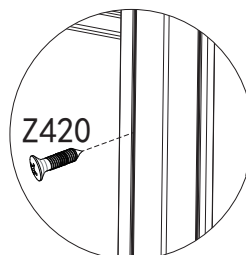
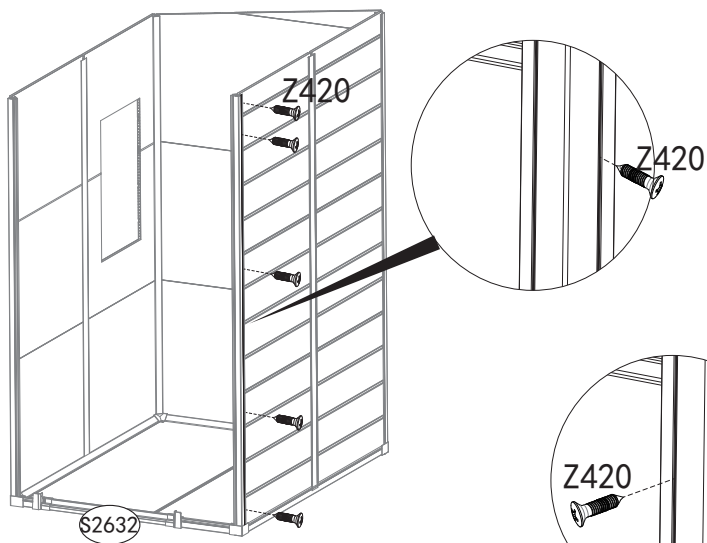
Z420
(x9)



● Screw when the boards are in position

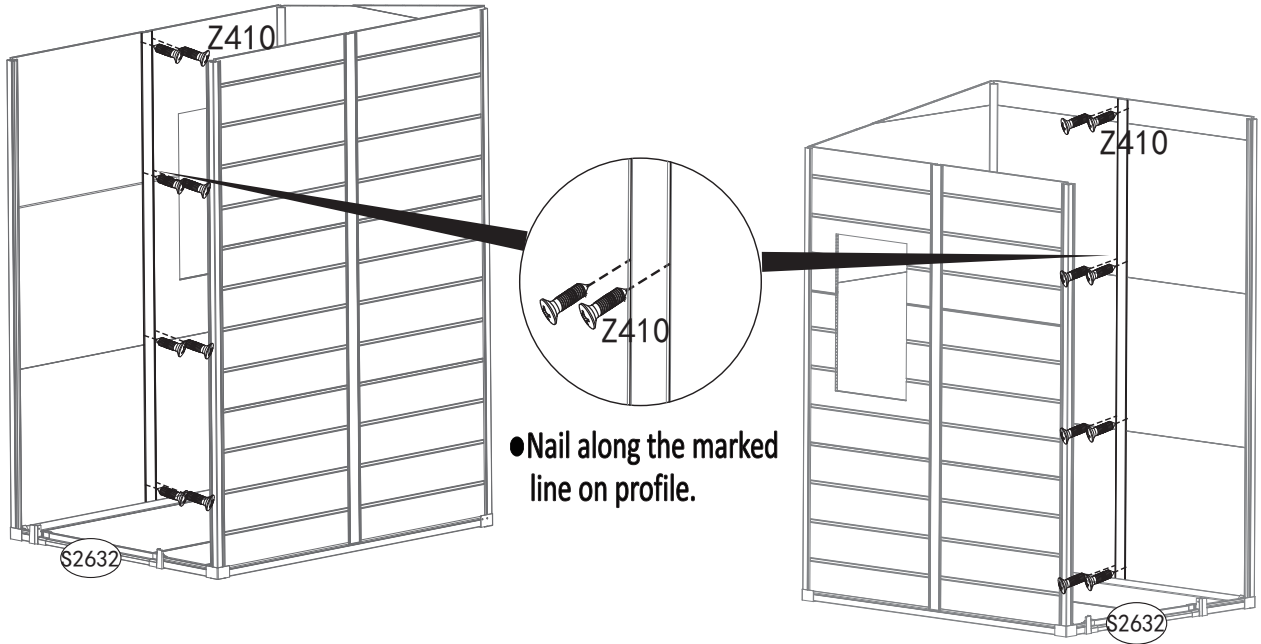
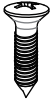


● Nail along the marked line on profile.



29

Z410
(x16)

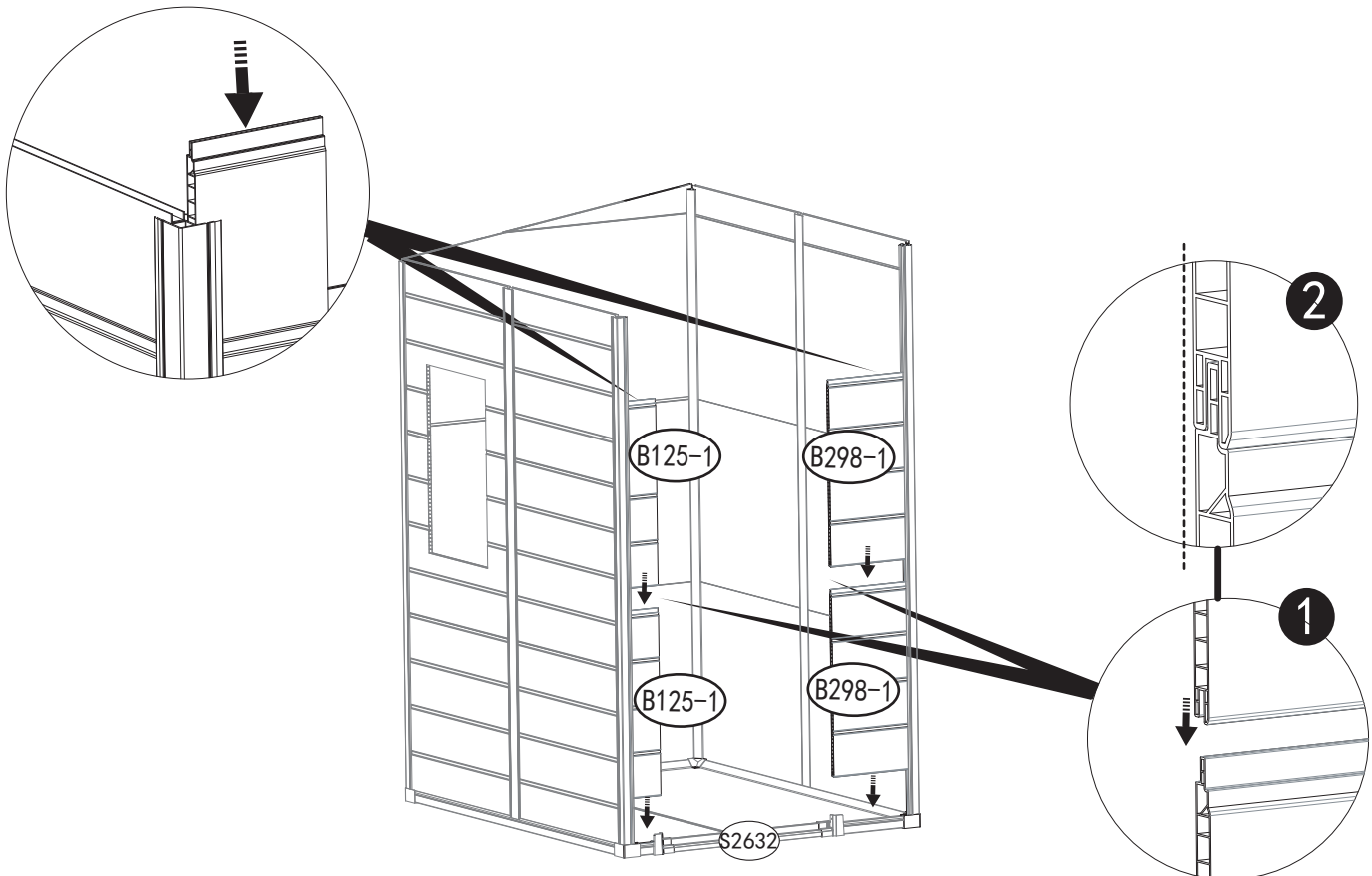


30

B125-1
(x2)



B298-1
(x2)

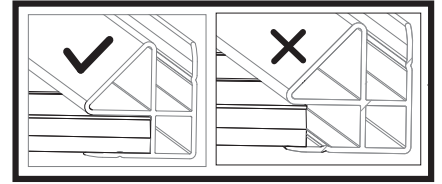
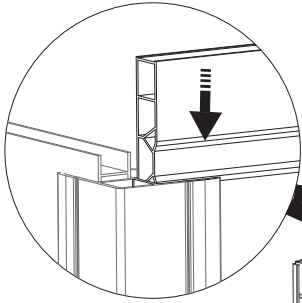


31

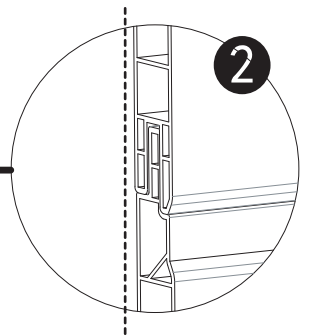
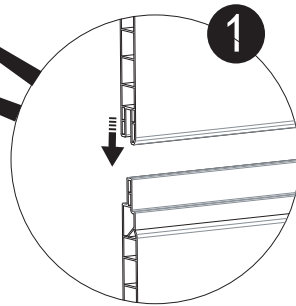
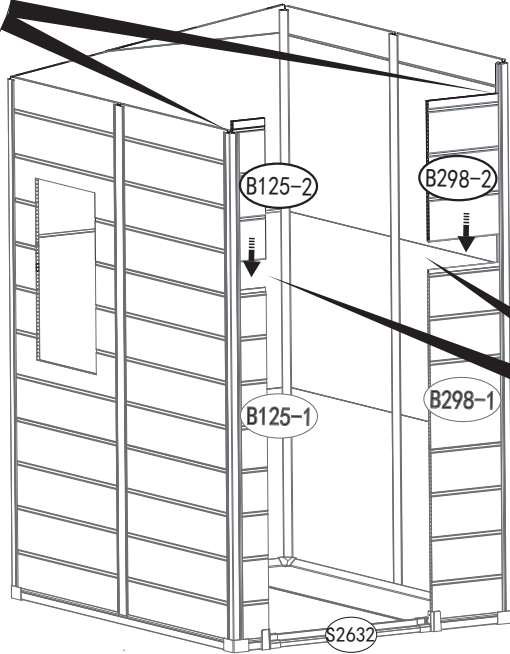
B125-2
(x1)



B298-2
(x1)

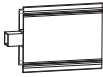


● Fully fit the panel inside the profile

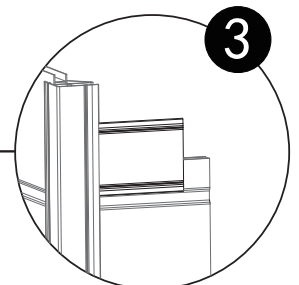
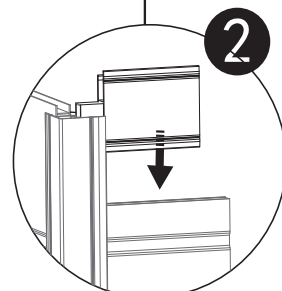
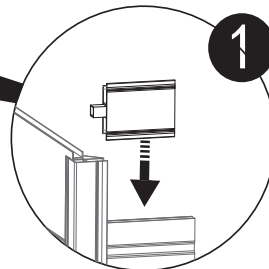
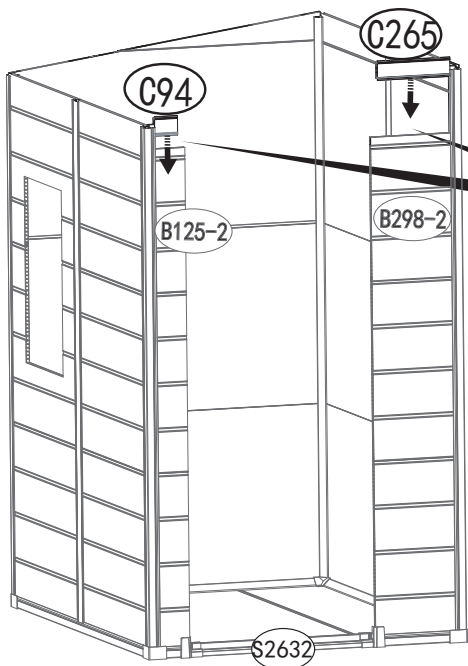


32

C94
(x1)

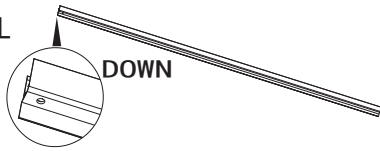


C265
(x1)

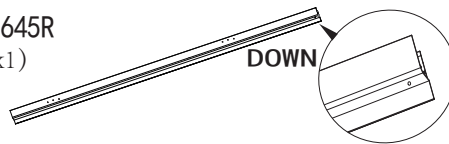


33

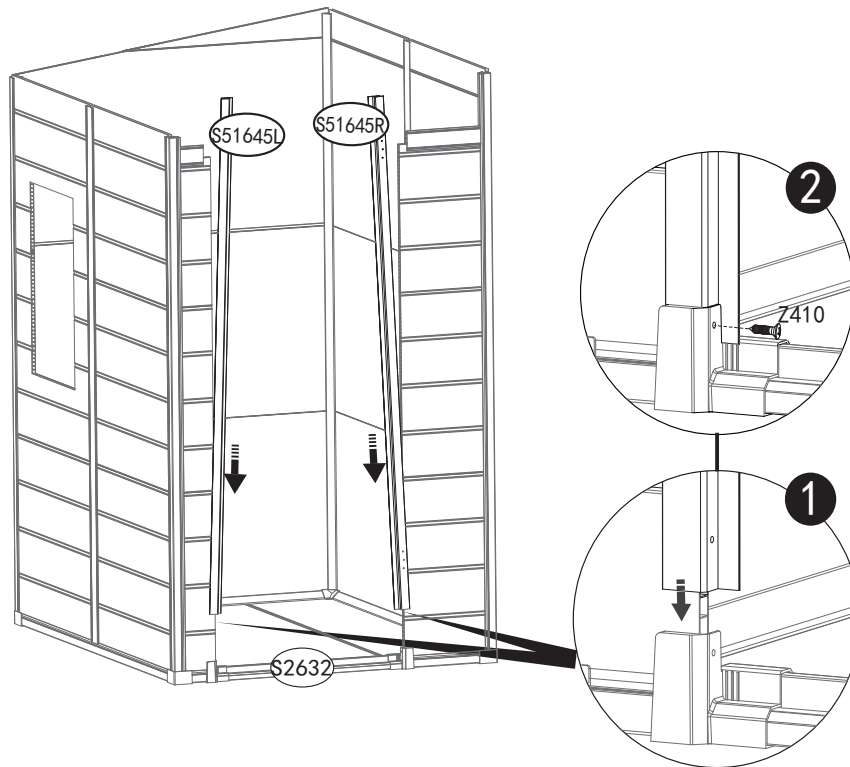
S51645L
(x1)



S51645R
(x1)



Z410
(x2)



34

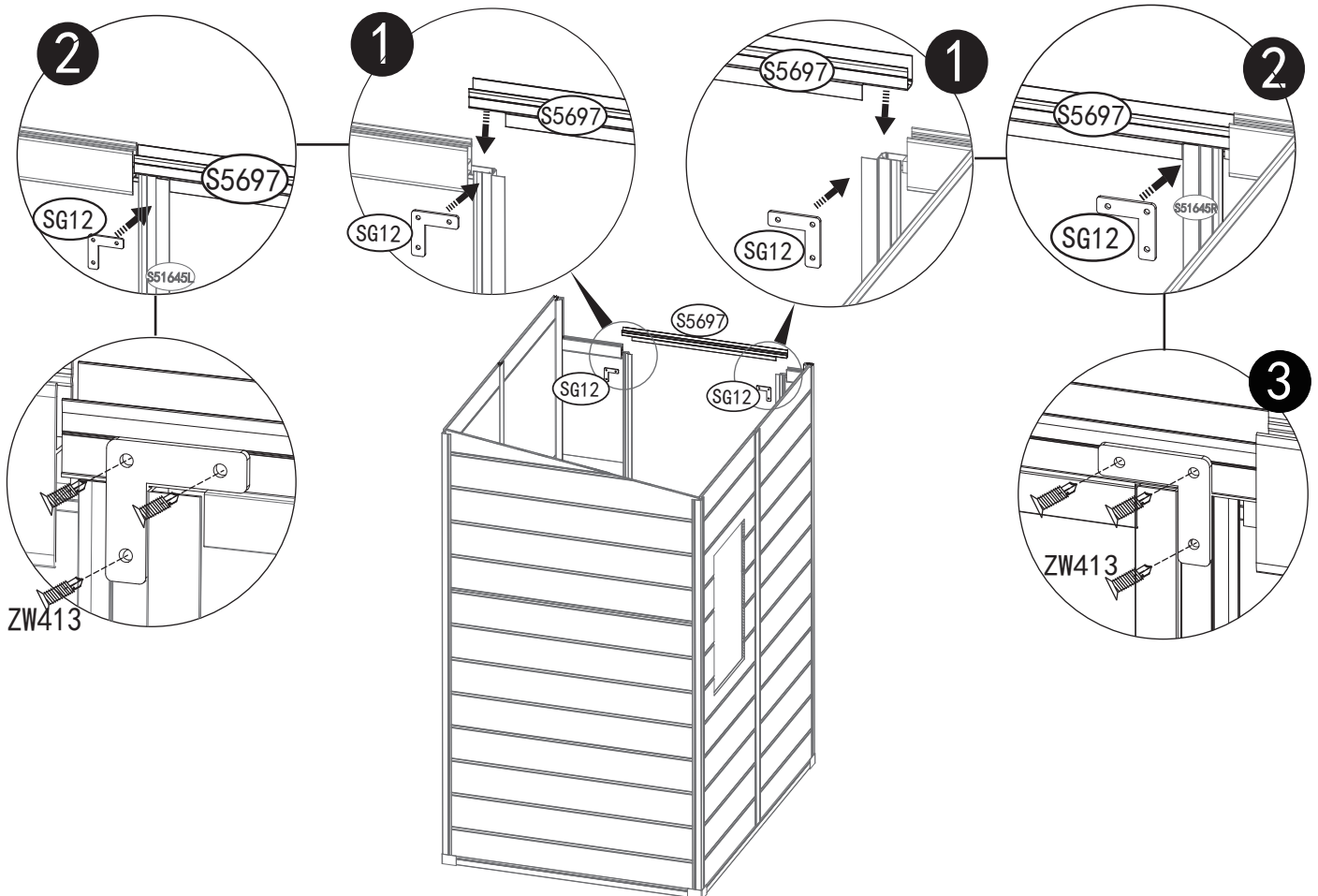
SG12
(x2)



S5697
(x1)



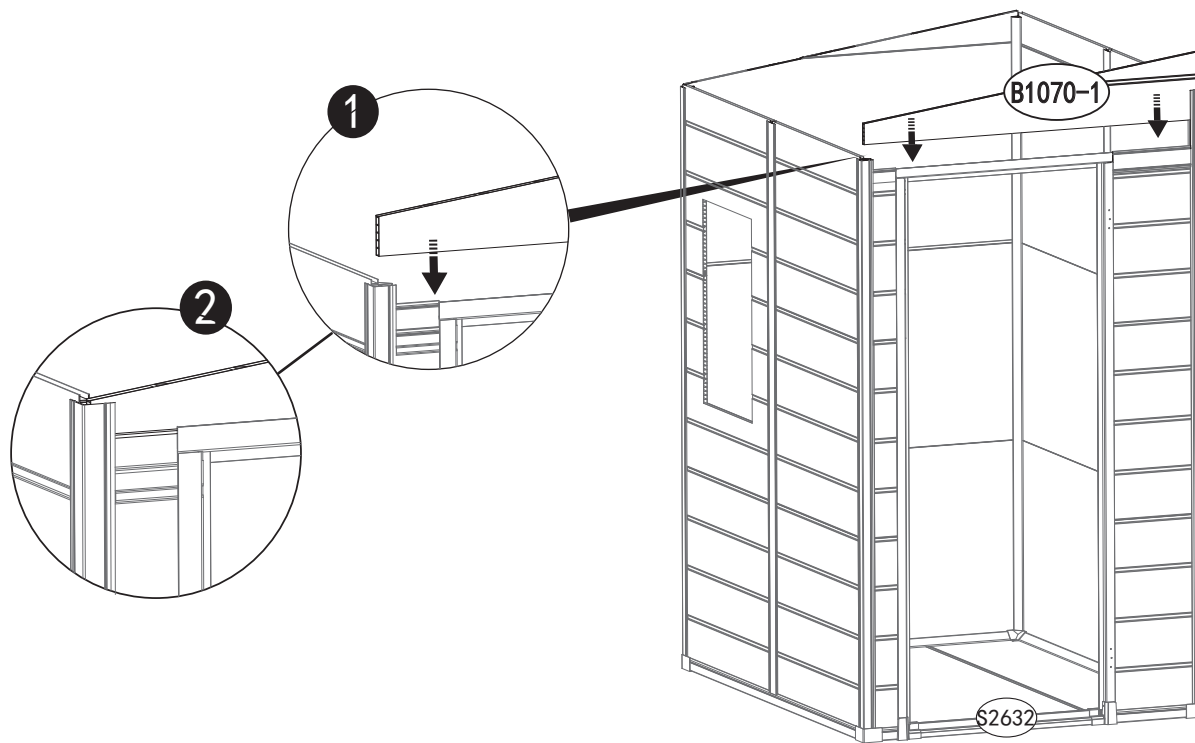
ZW413
(x6)



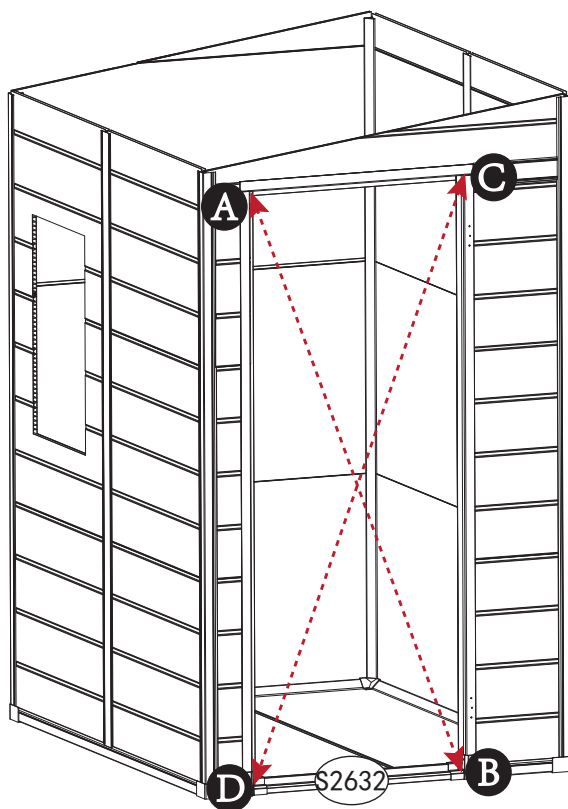
35

B1070-1

(x1)



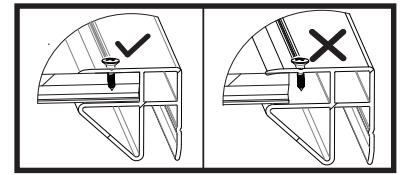
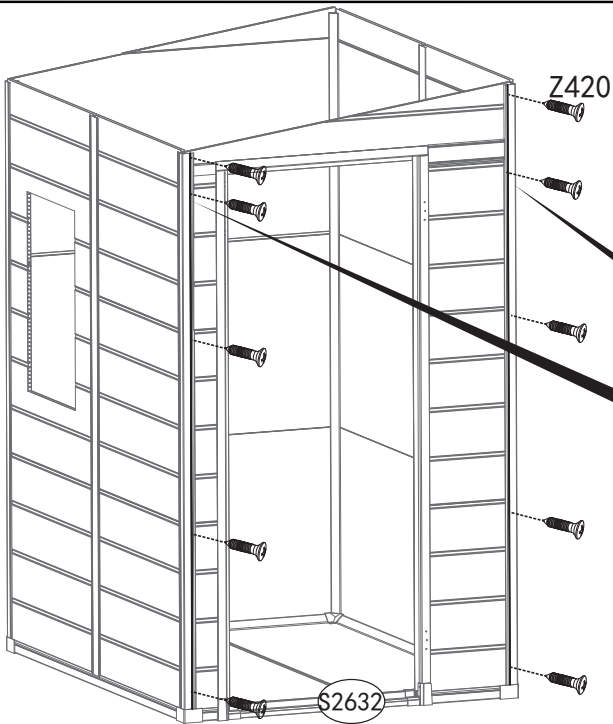
36



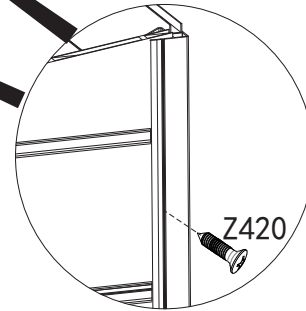
● Make sure $AB=CD$

37

Z420
(x10)



● Nail along the marked line on profile.

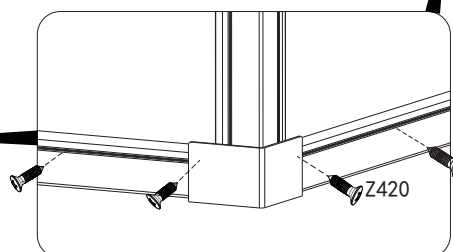
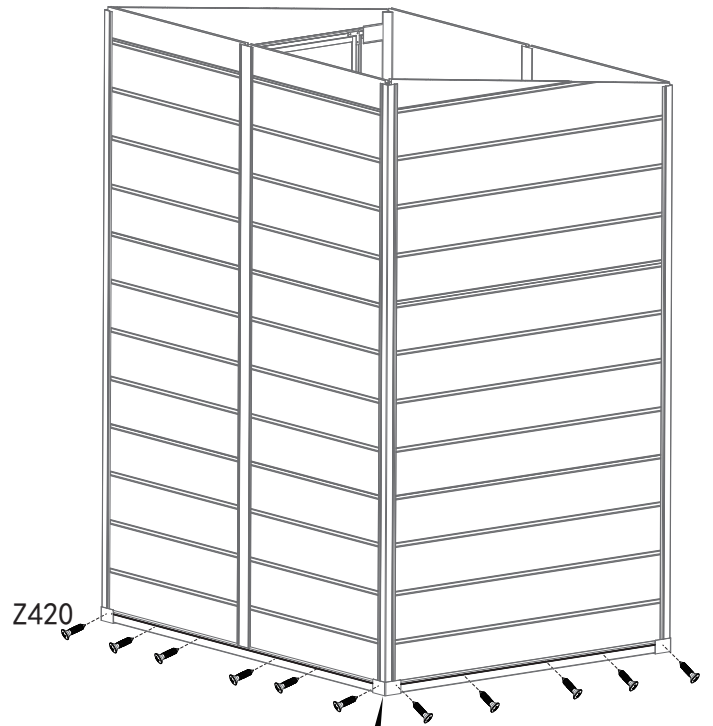
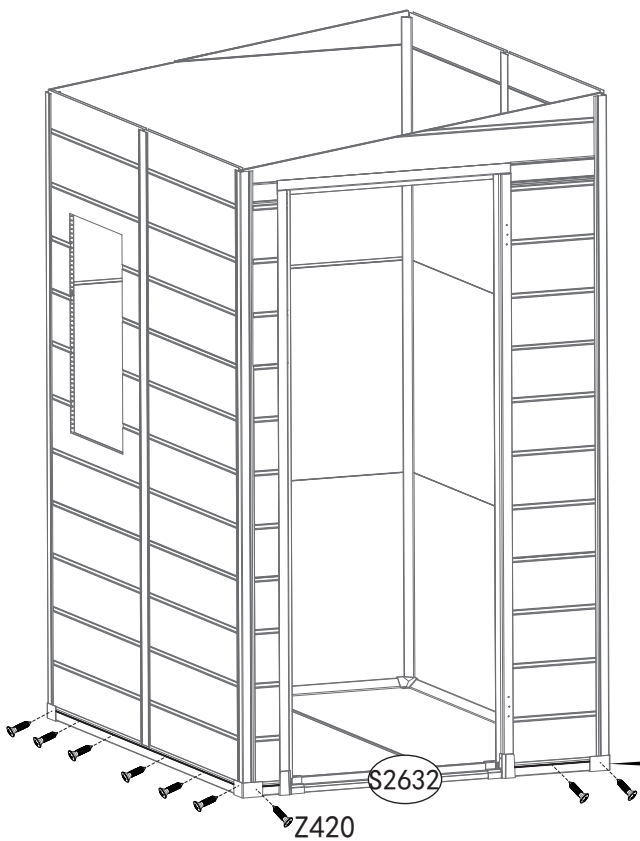


38

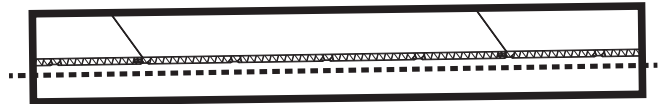
Z420
(x20)



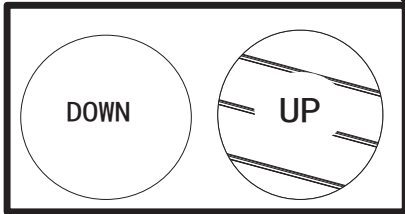
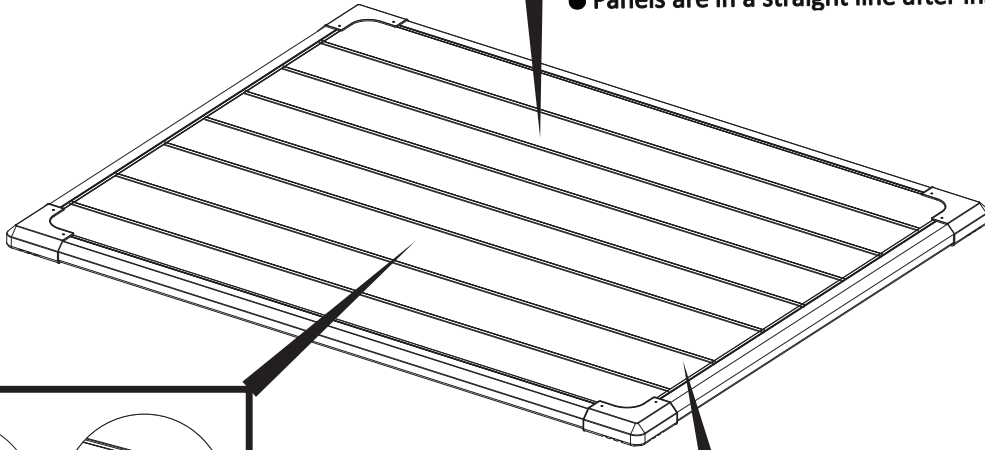
- Fully fit the panel inside the profile
Screw along the marked lines in profiles



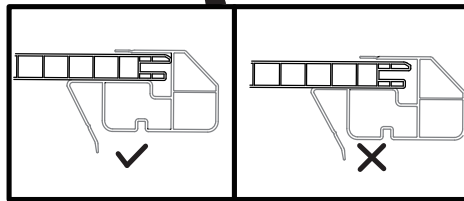
ROOF PARTS



● Panels are in a straight line after installation.



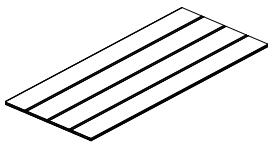
● The stripes should be upwards



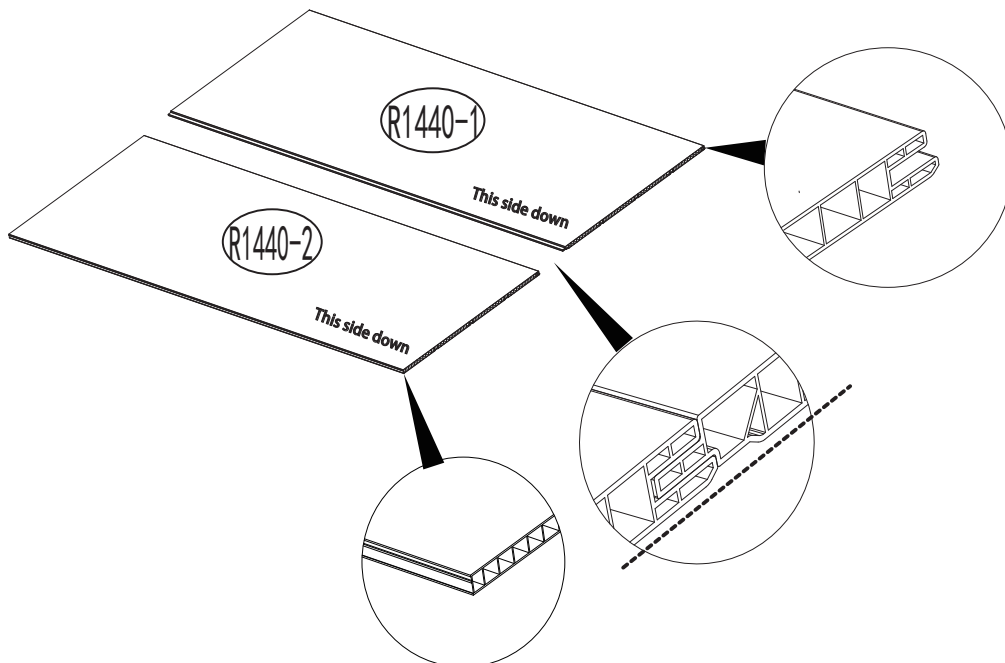
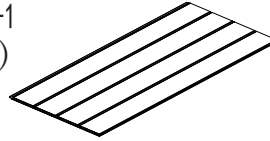
● Fully fit the panel inside the profile

39

R1440-2
(x1)



R1440-1
(x1)



40

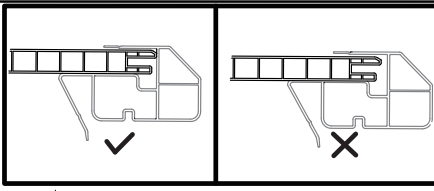
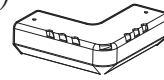
S31290
(x2)



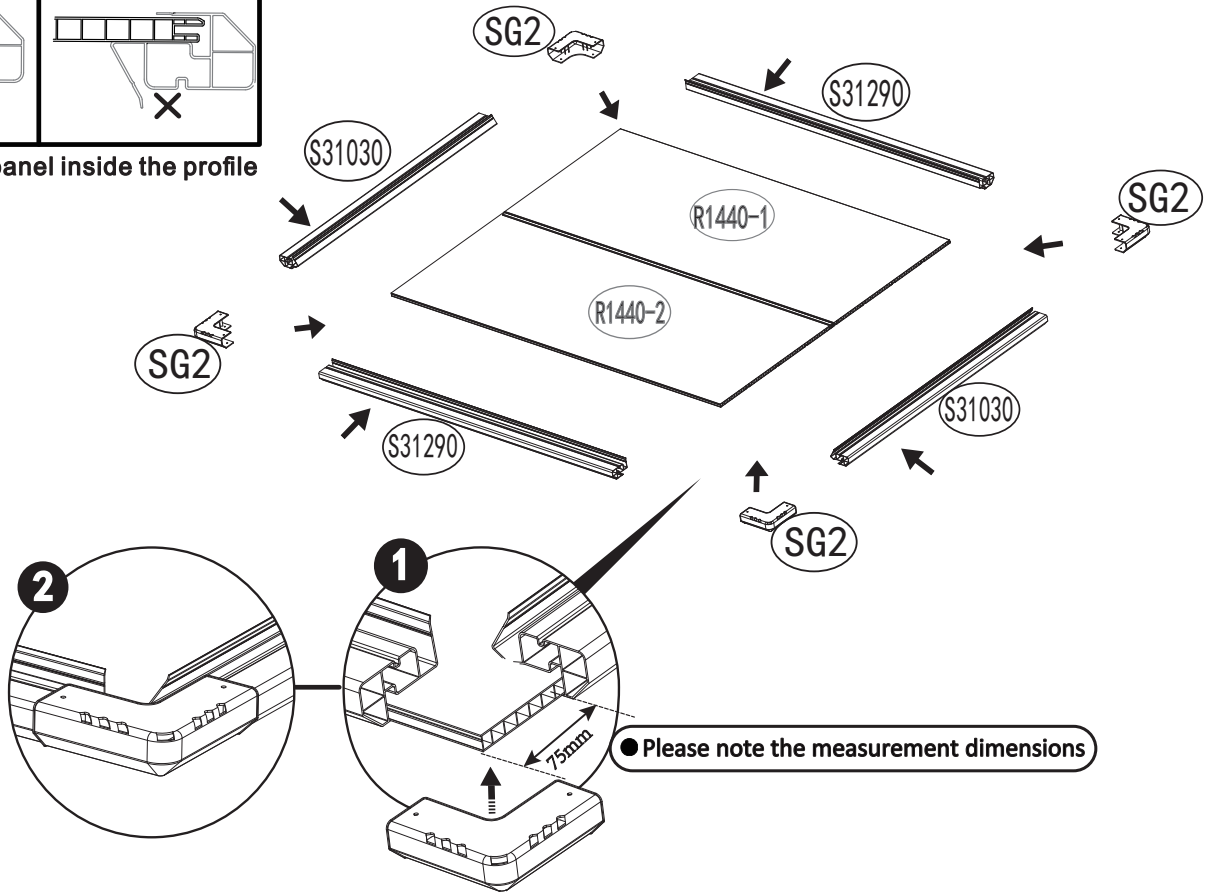
S31030
(x2)



SG2
(x4)



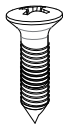
● Fully fit the panel inside the profile



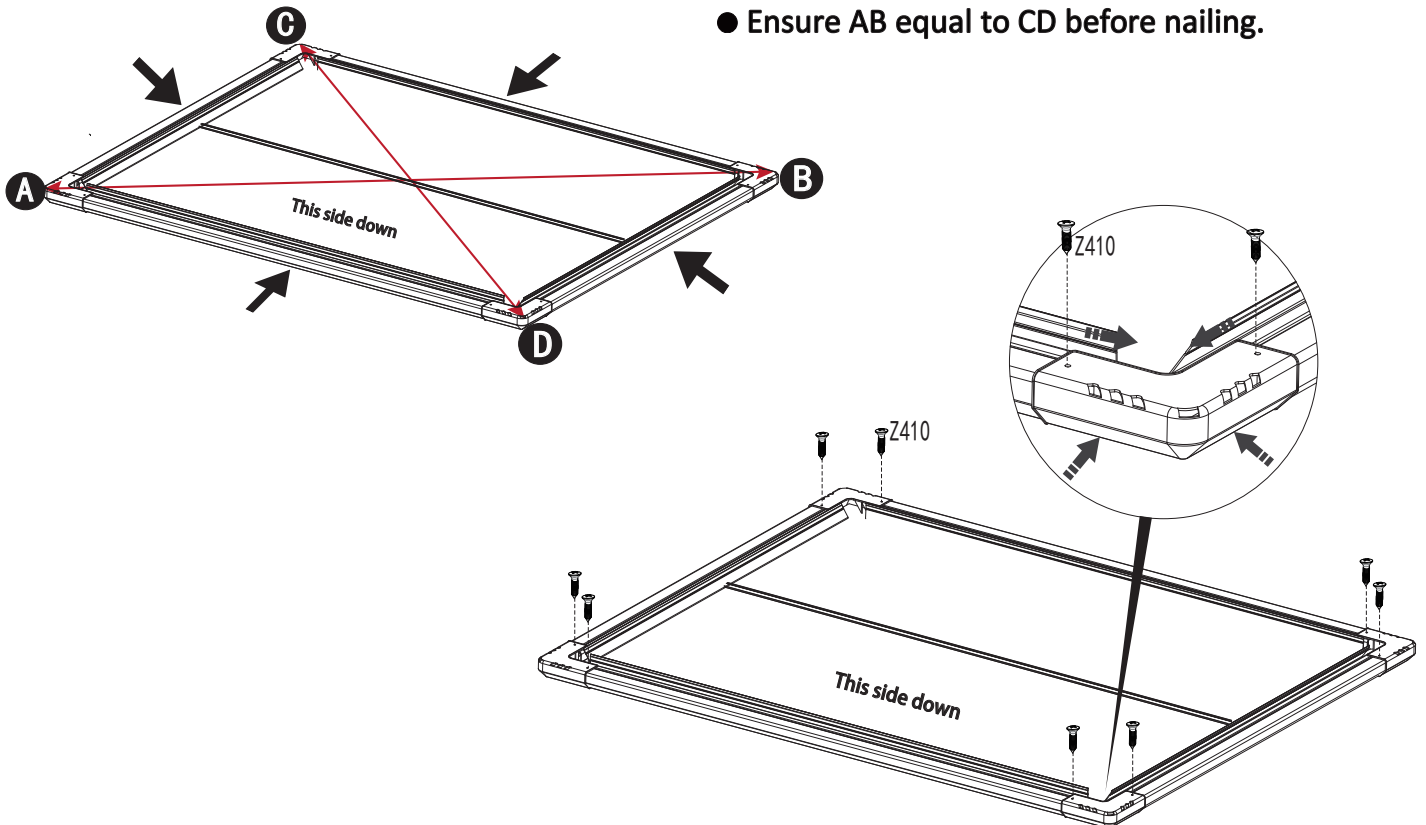
● Please note the measurement dimensions

41

Z410
(x8)



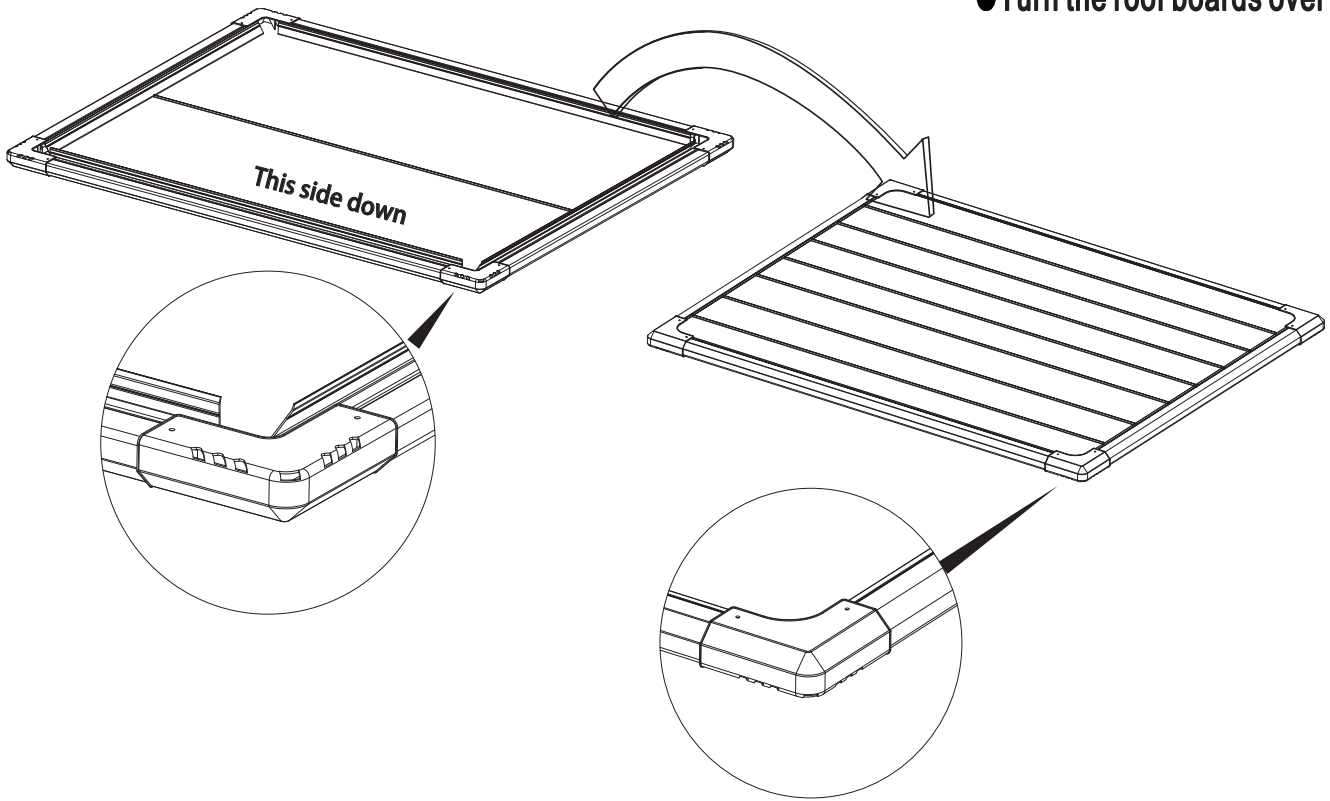
● Ensure AB equal to CD before nailing.



42

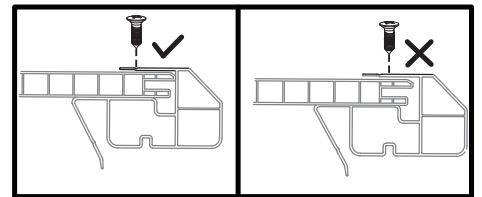
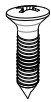


● Turn the roof boards over

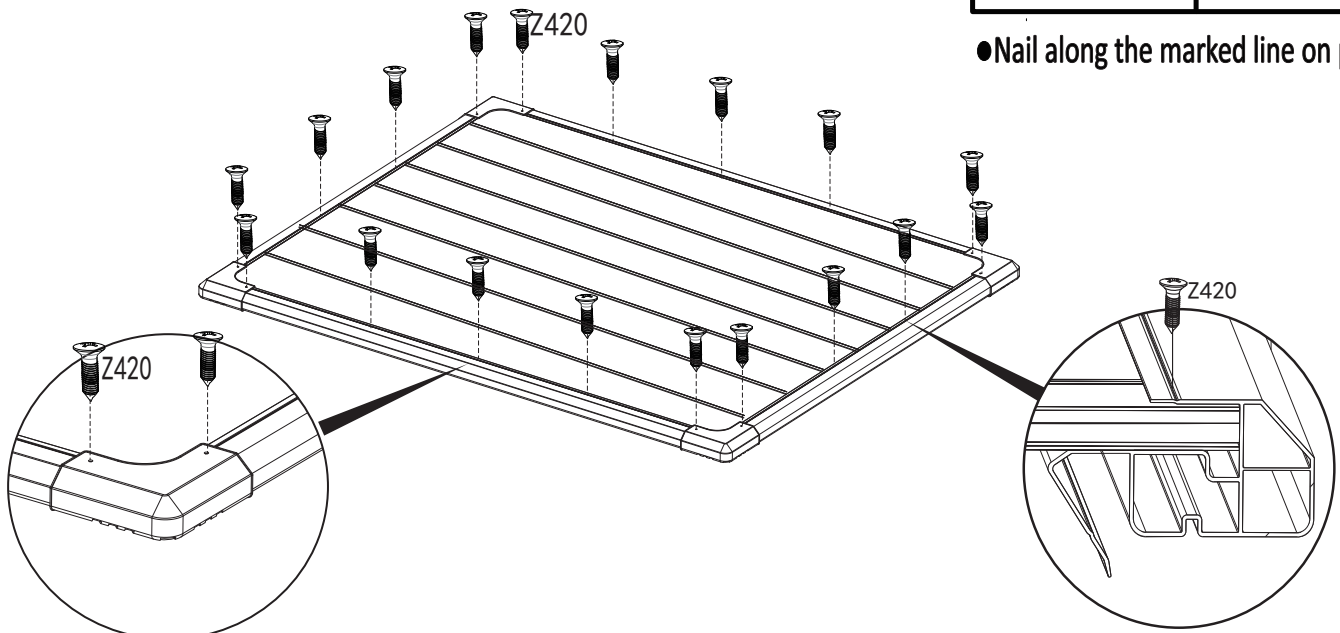


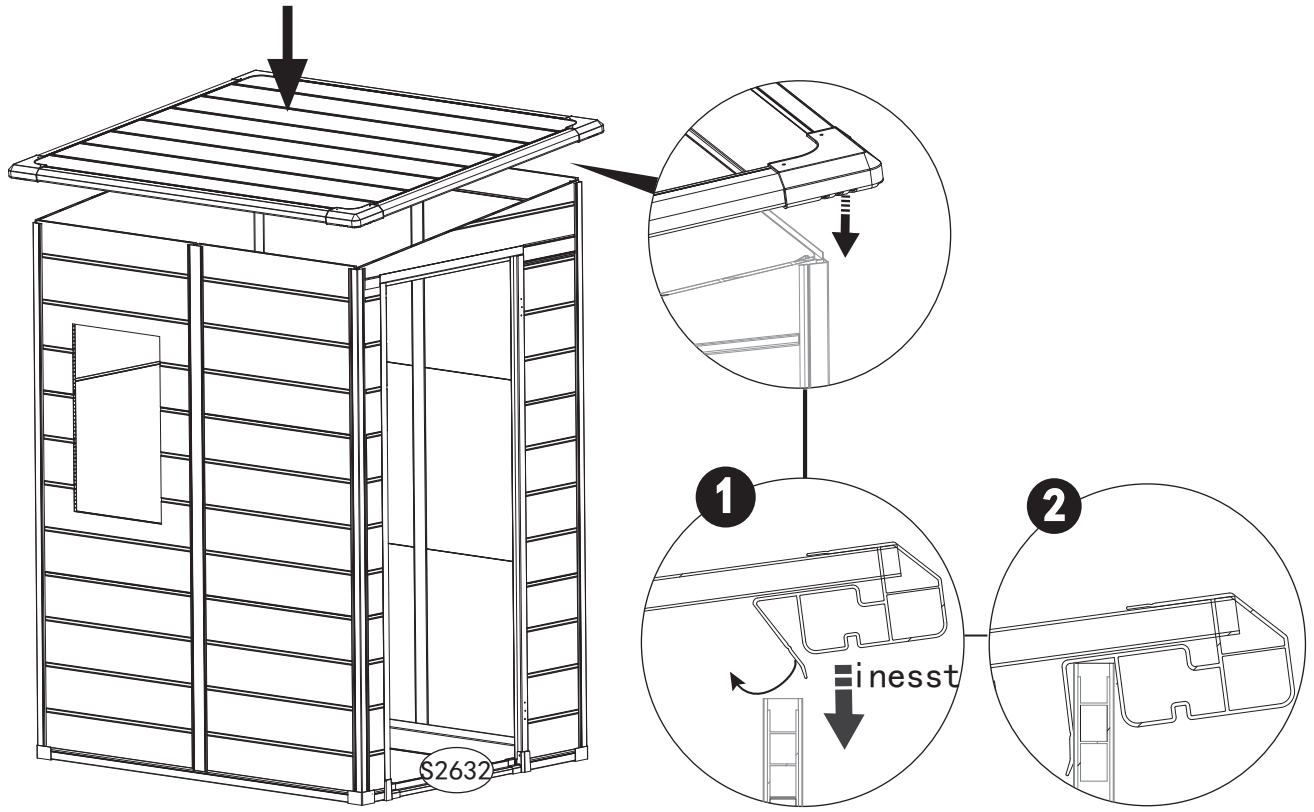
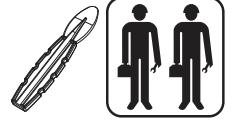
43

Z420
(x18)

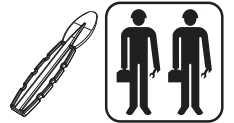


● Nail along the marked line on profile.

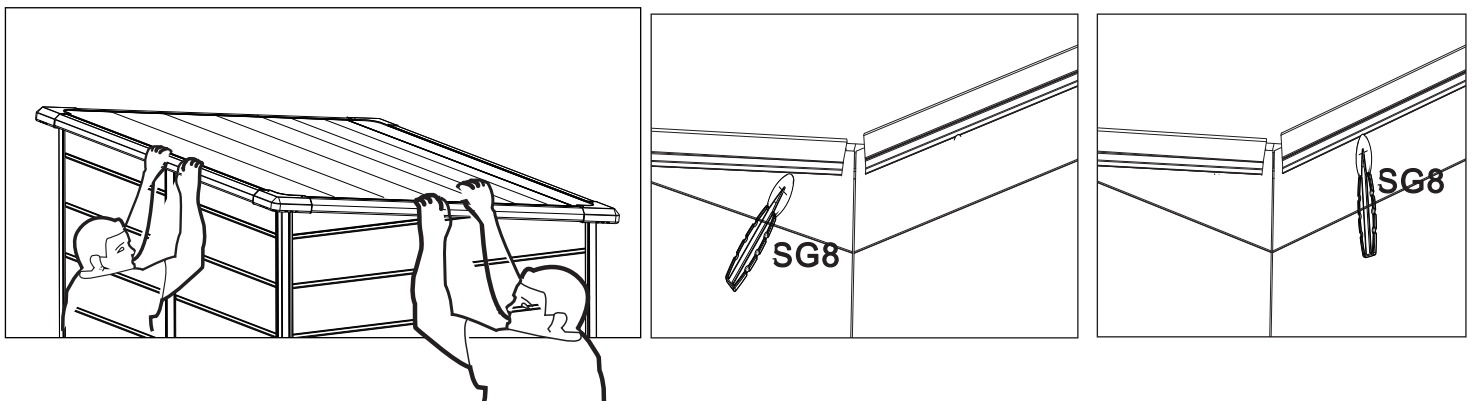




- Fully fit the panel inside the profile

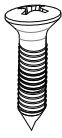


- Ensure fully fit the panels inside the profiles of the roof, using the spatula according to the following picture.

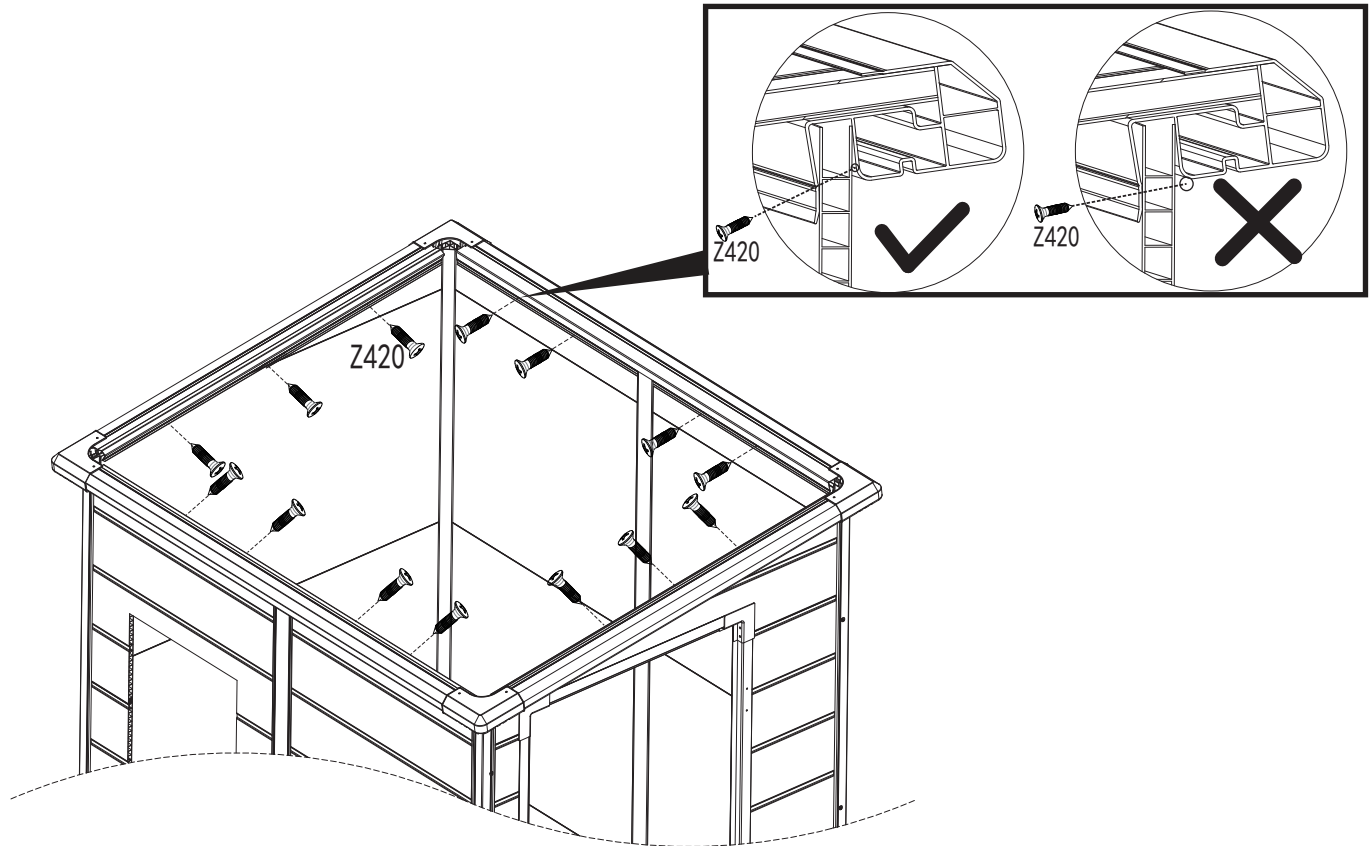


46

Z420
(x14)



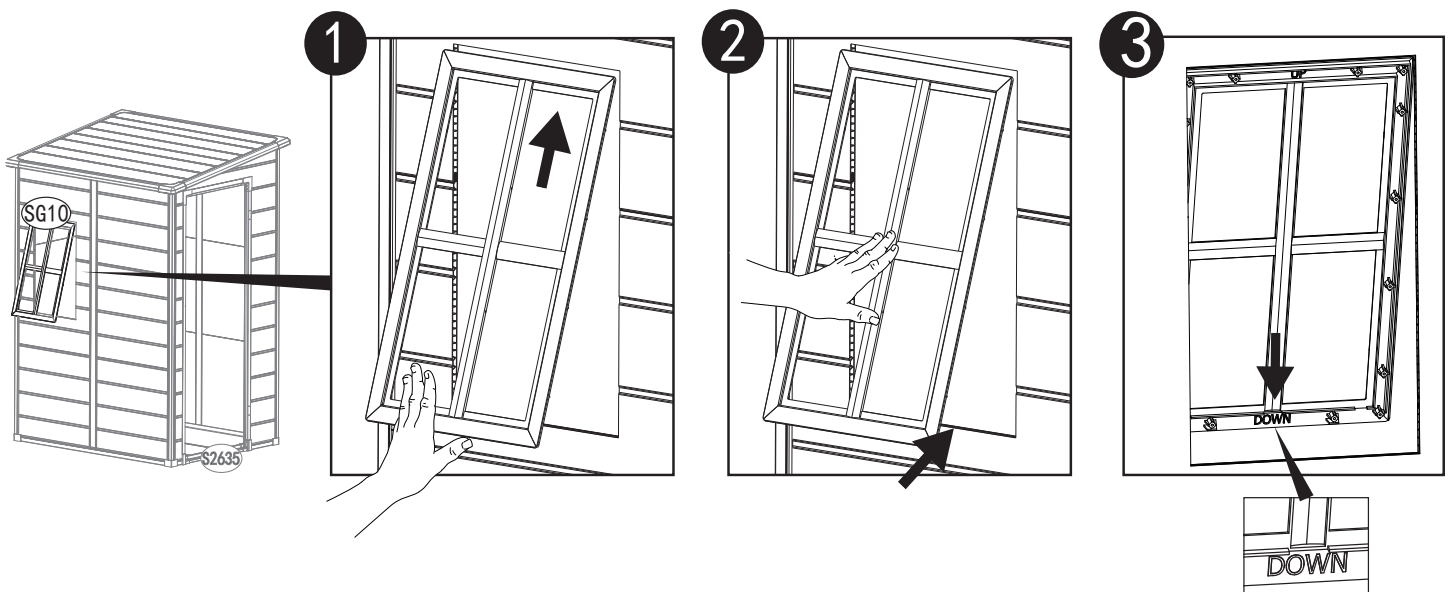
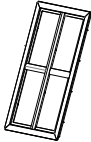
• Please note the nailing direction.



WINDOW PARTS

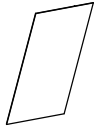
47

SG10
(x1)

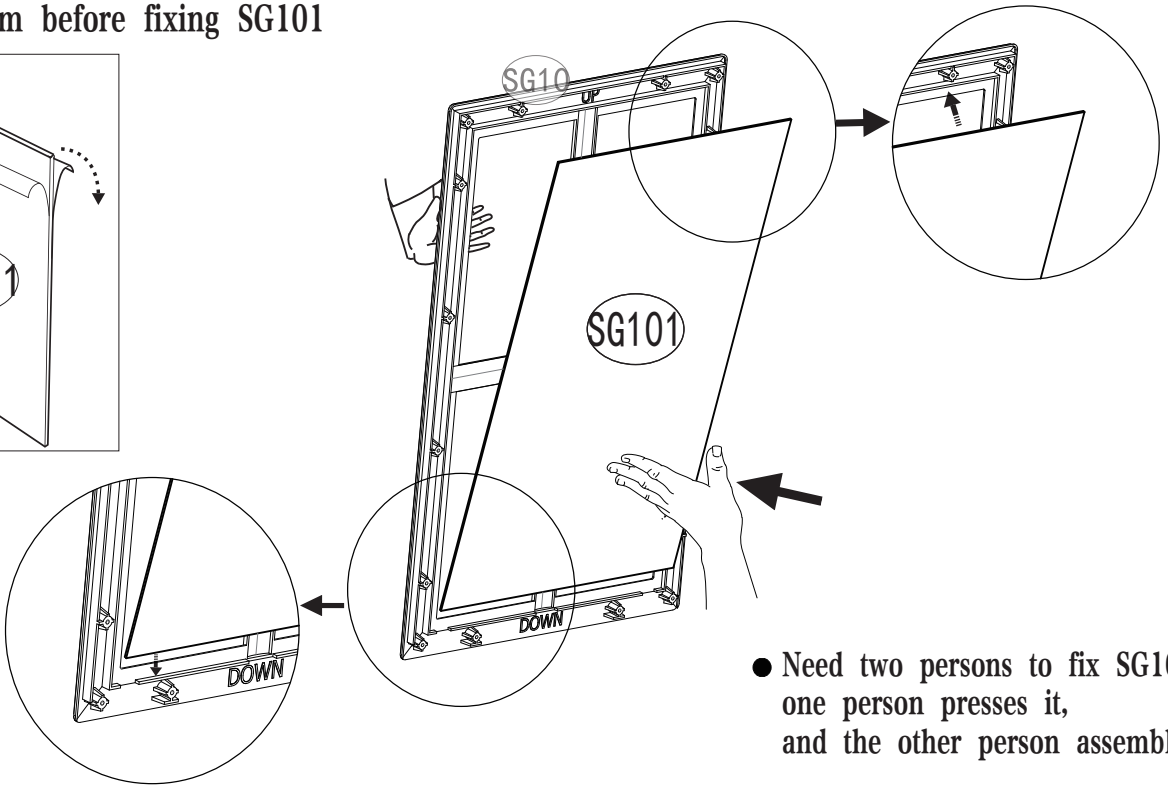
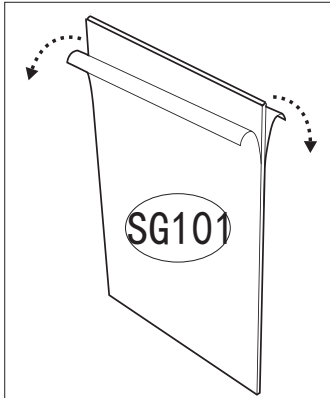


48

SG101
(x1)



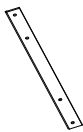
● Remove the film before fixing SG101



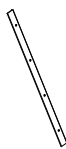
● Need two persons to fix SG101, one person presses it, and the other person assembles it.

49

SG102
(x2)



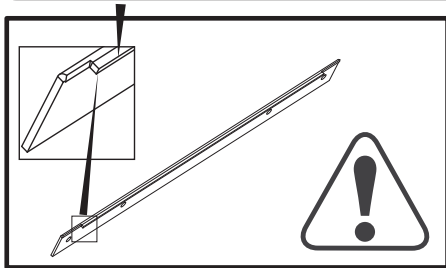
SG103
(x2)



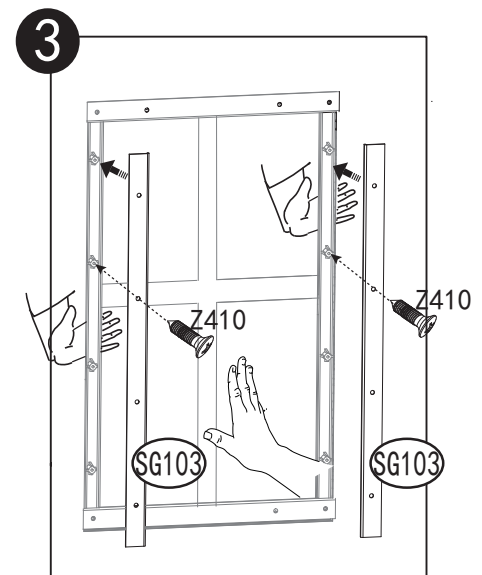
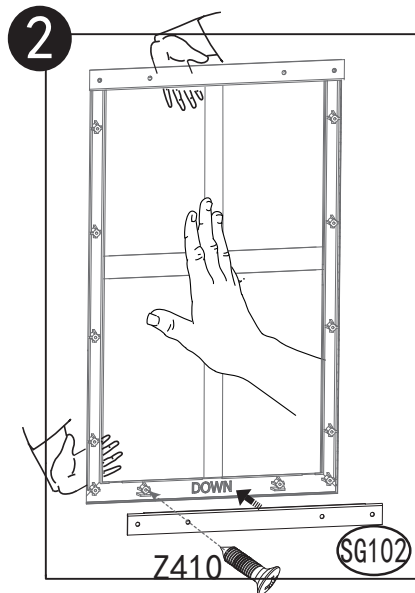
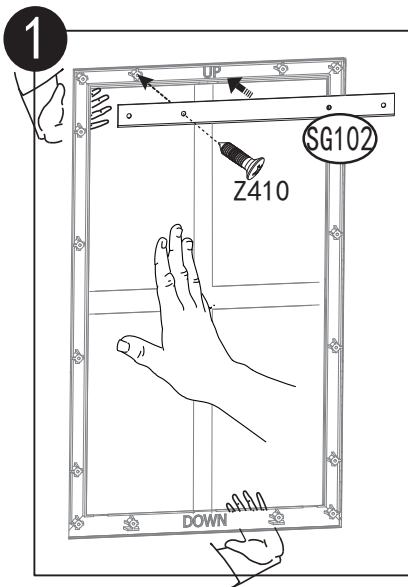
Z410
(x4)



The press plate boss section shall be pressed against SG101

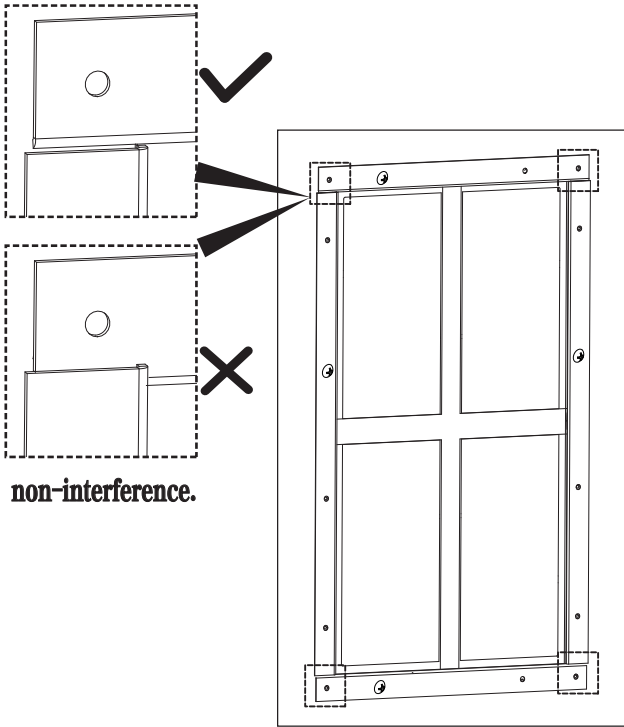
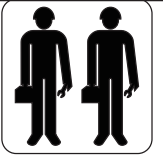
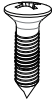


- Press tightly to avoid falling down
- Please note the side with bending edge be pressed to SG101
- It's better to fix just one screw on each SG102&SG103 before each one adjust into right location.

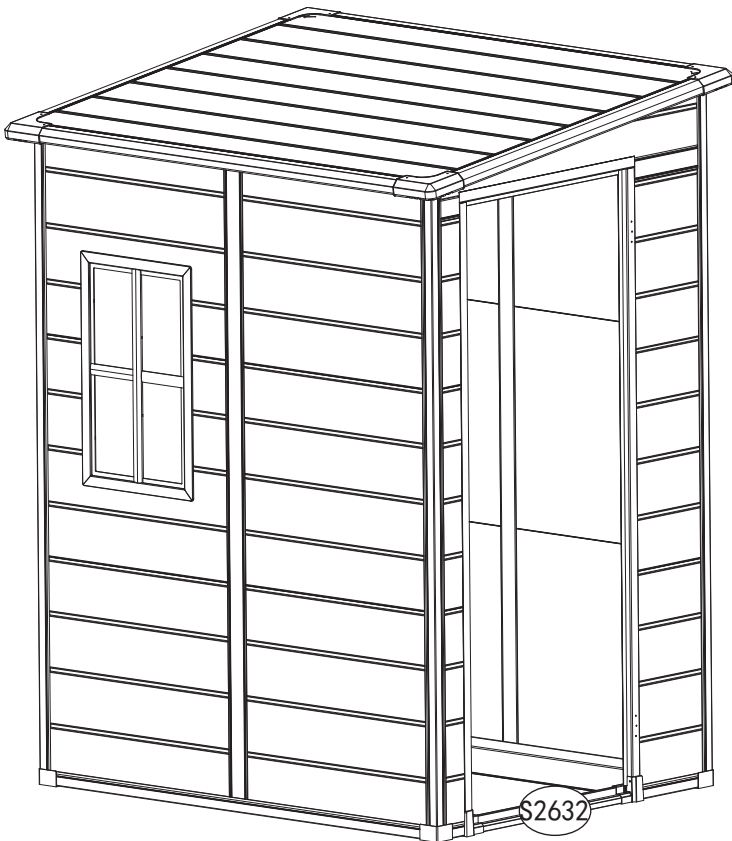
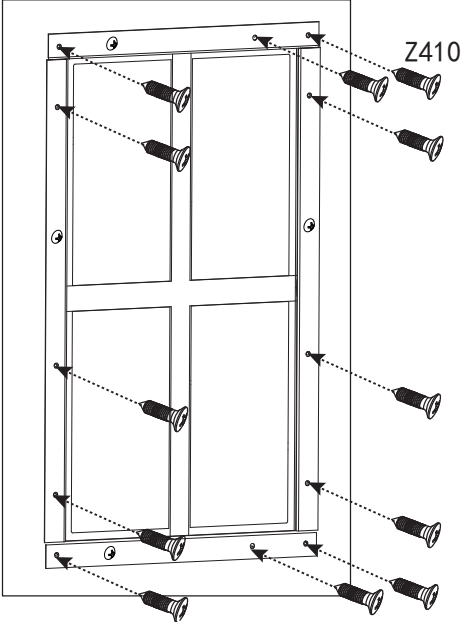


50

Z410
(x12)

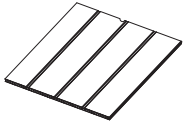


● Adjust SG102&SG103 in right location, then fix all screws

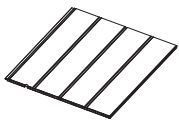


51

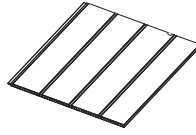
D612-4
(x1)



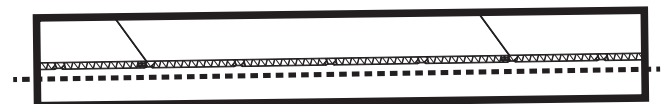
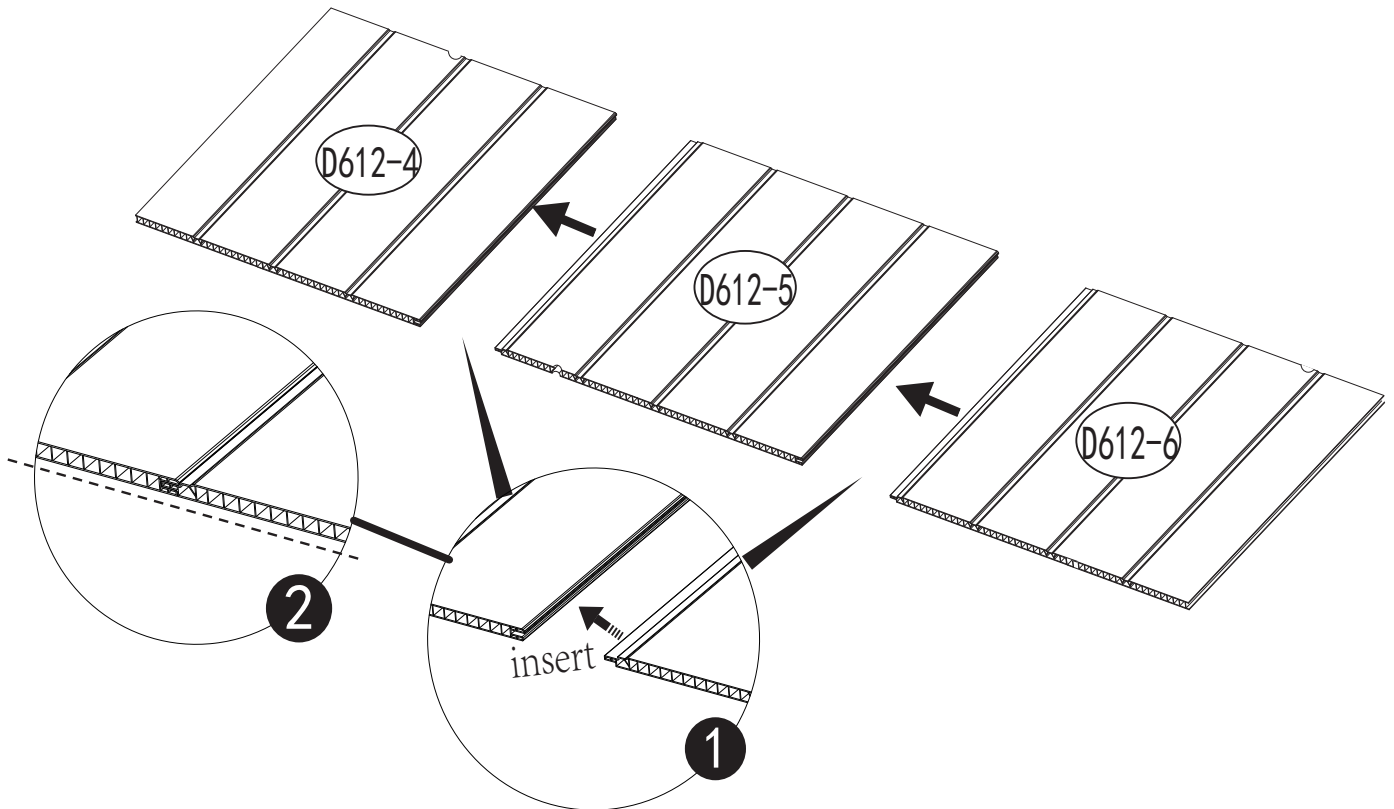
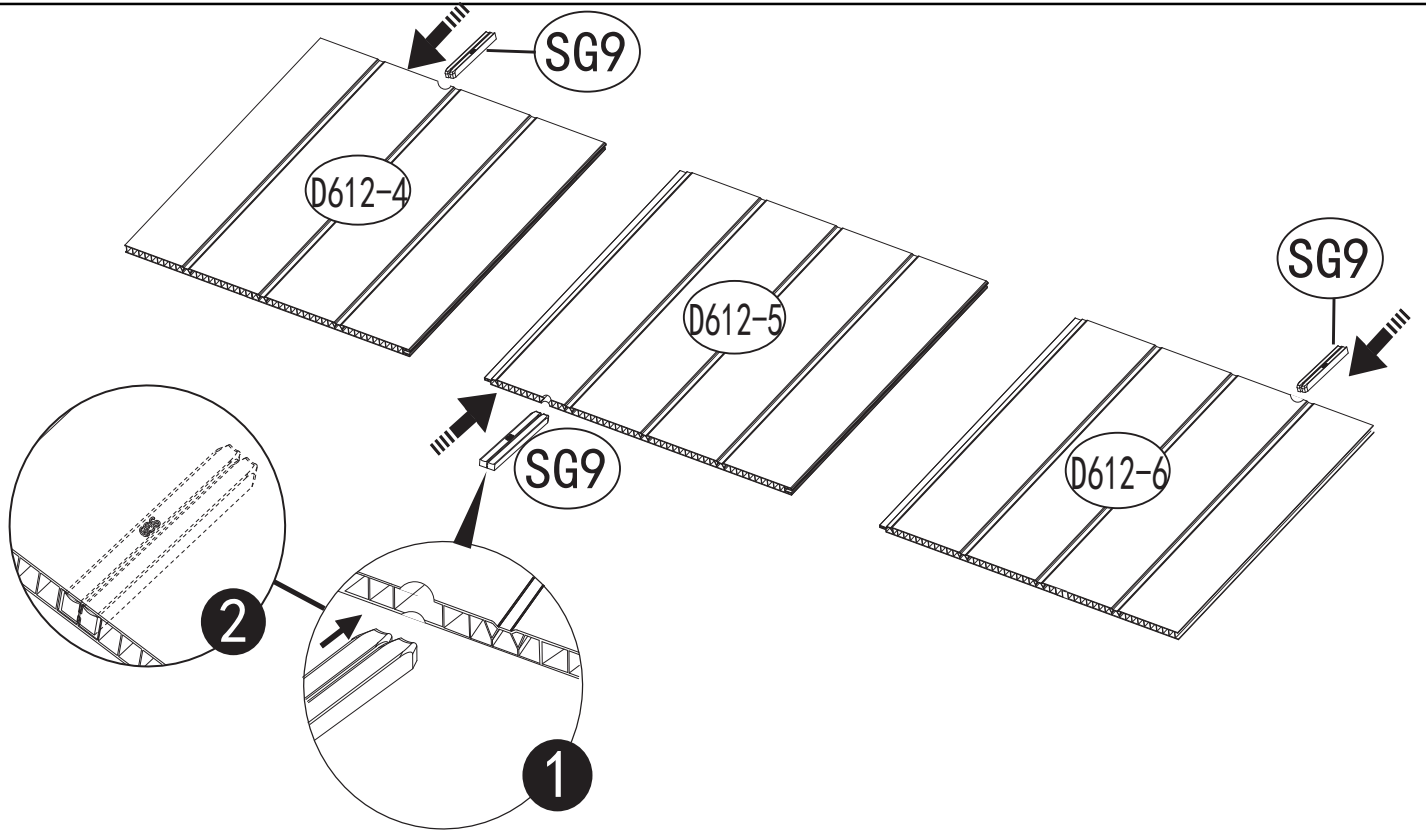
D612-5
(x1)



D612-6
(x1)



SG9
(x3)

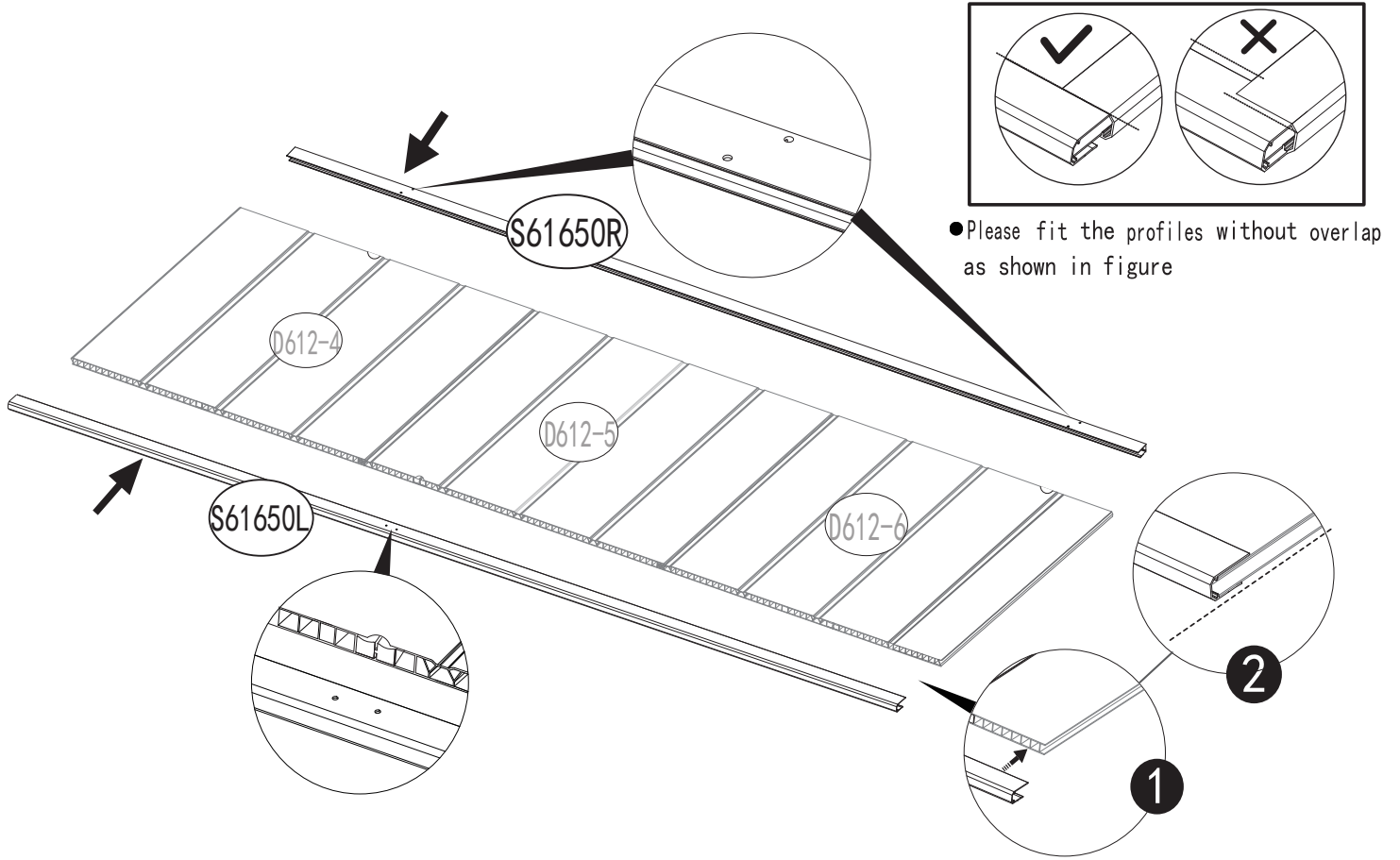


● Panels are in a straight line after installation.

52

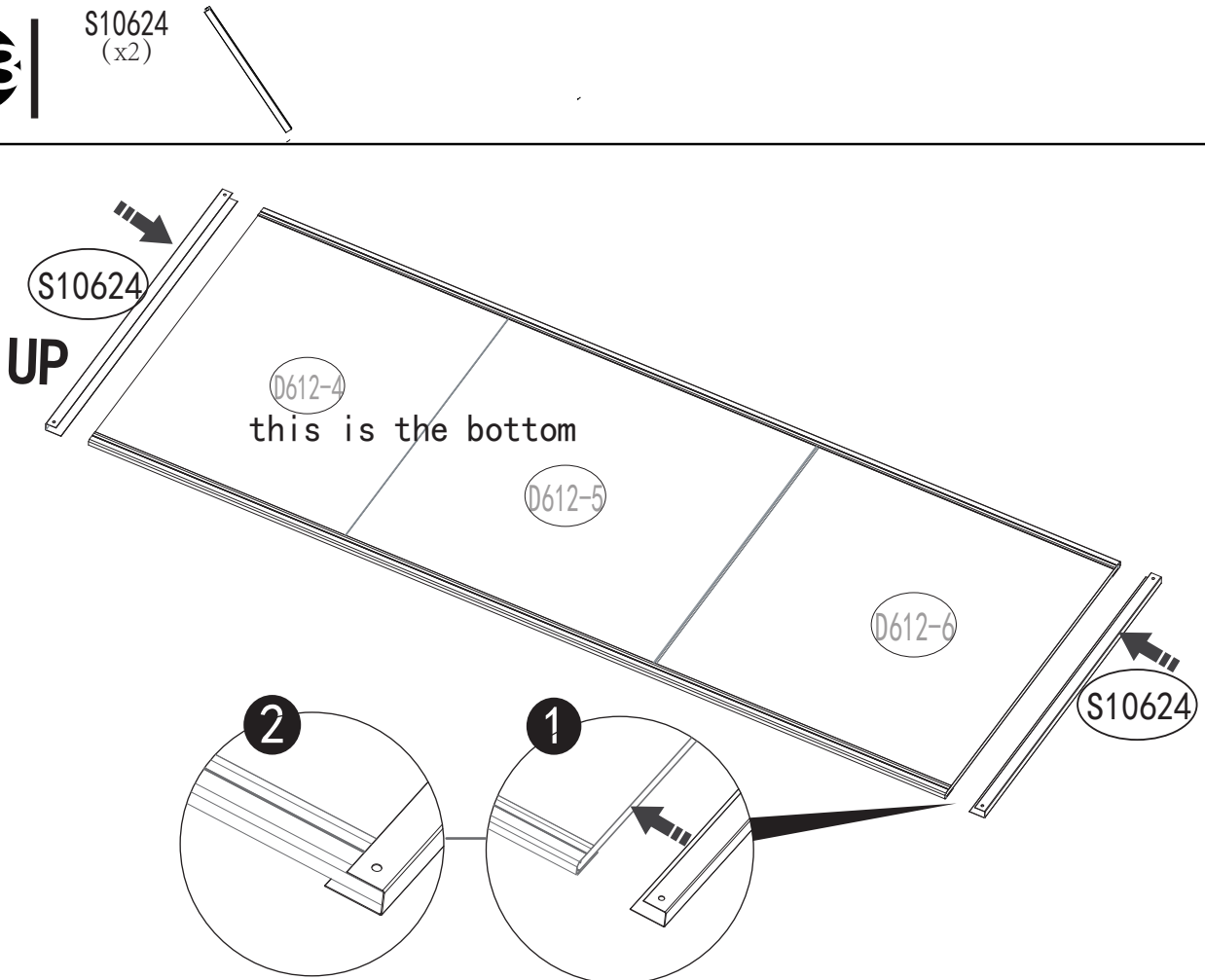
S61650R
(x1)

S61650L
(x1)



53

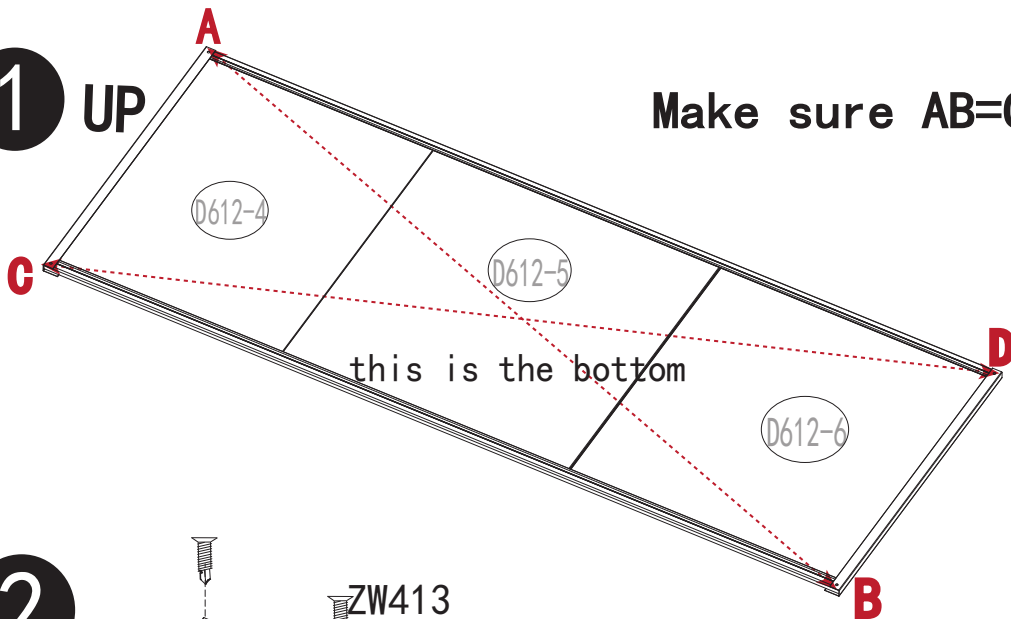
S10624
(x2)



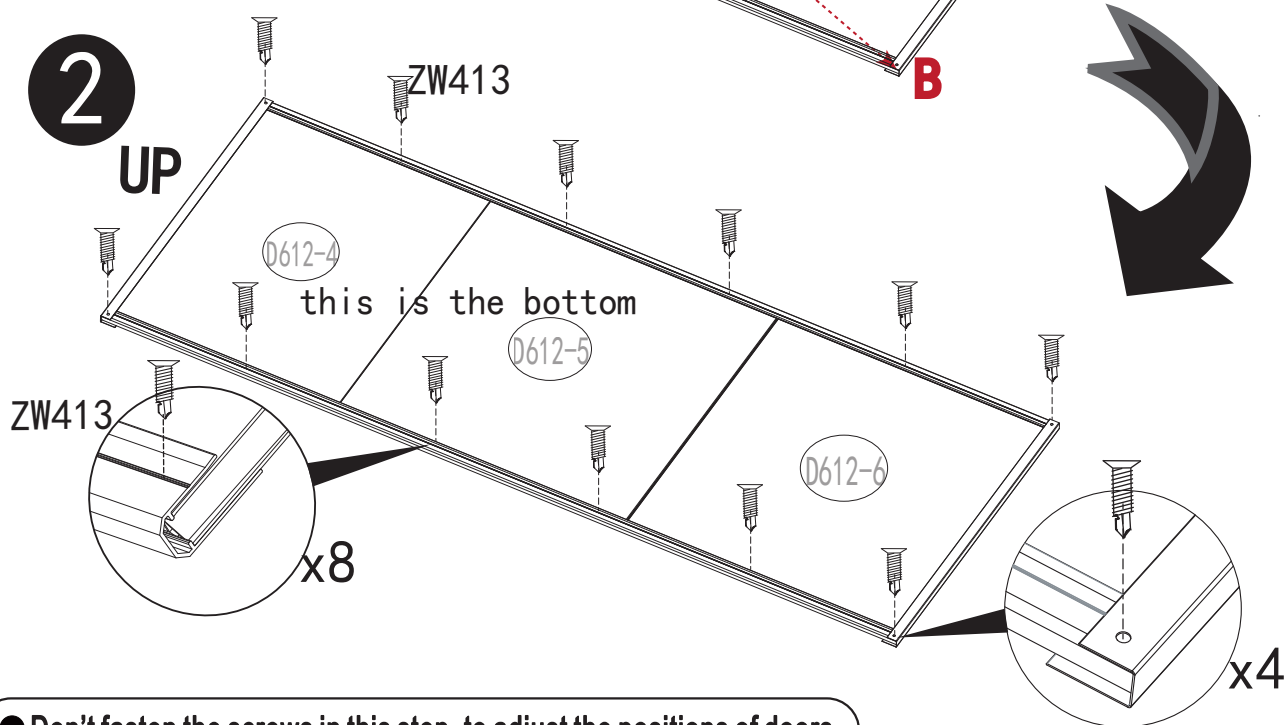


1 UP

Make sure $AB=CD$

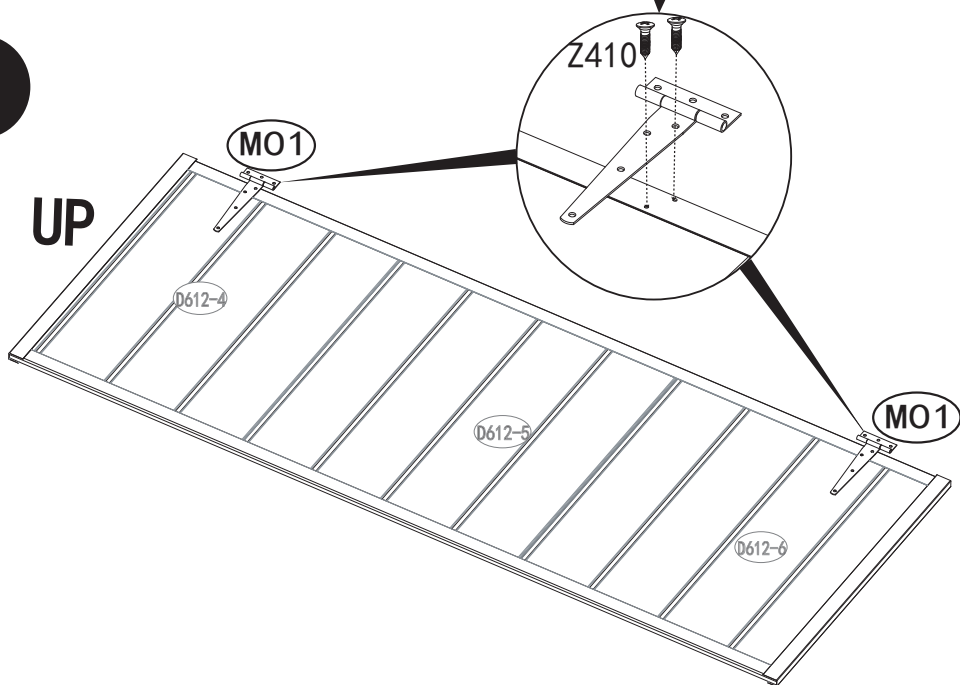


2 UP



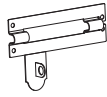
● Don't fasten the screws in this step, to adjust the positions of doors

3 UP

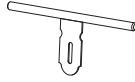


55

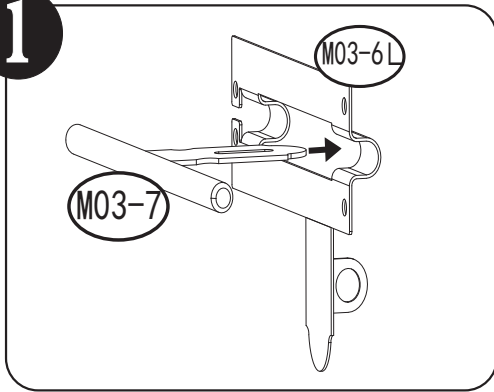
M03-6L
(x1)



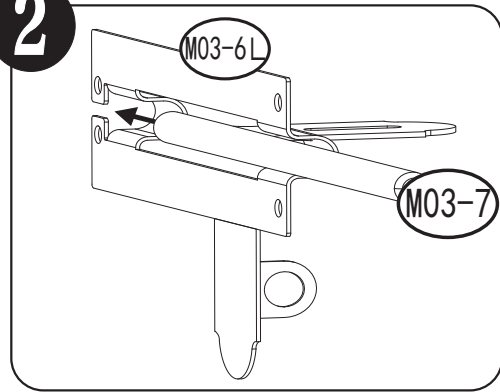
M03-7
(x1)



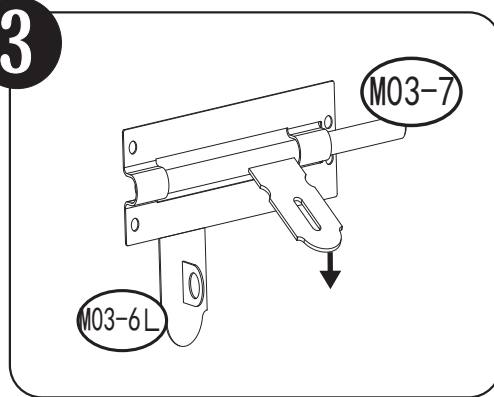
1



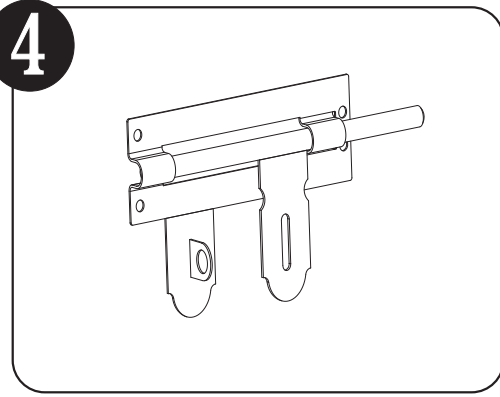
2



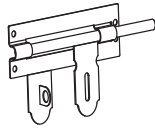
3



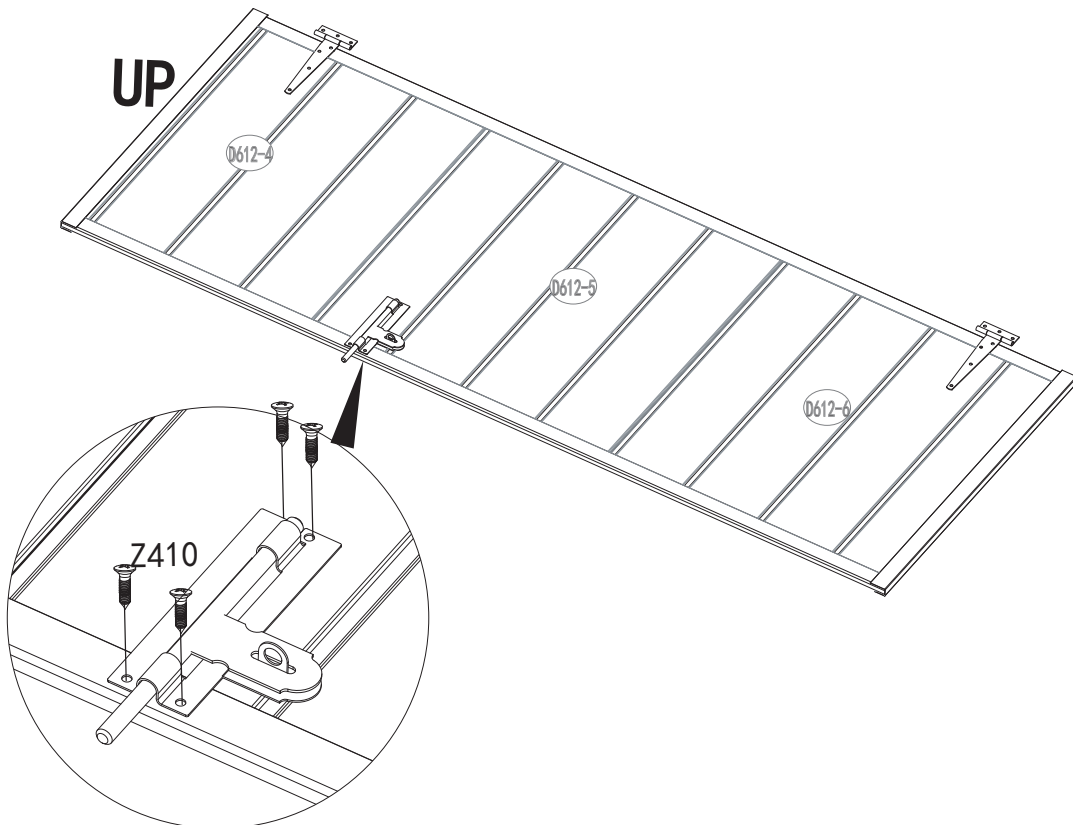
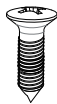
4

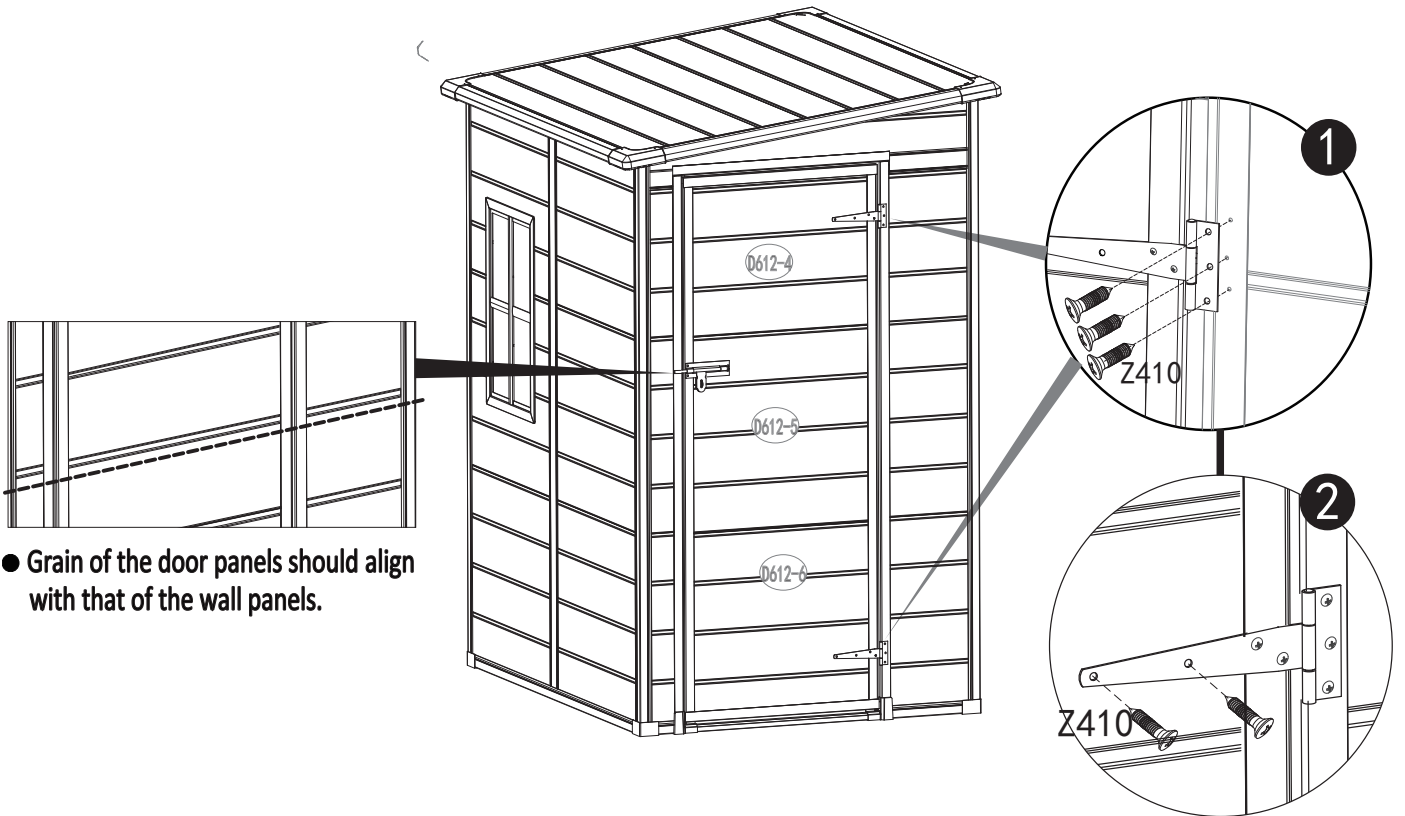
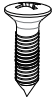


56

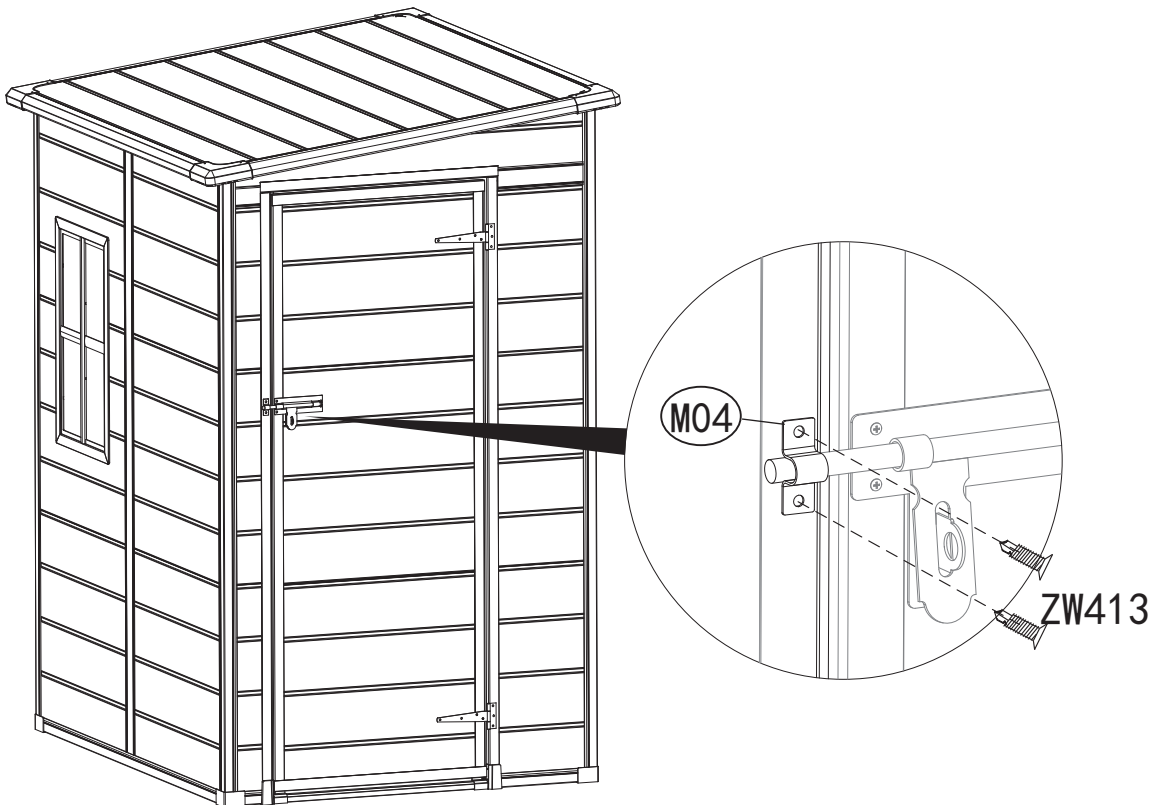


Z410
(x 4)



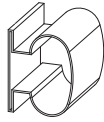


Nail the door after place adjustment and fasten all the screws.



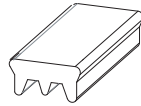
Sealing -1

(x1)



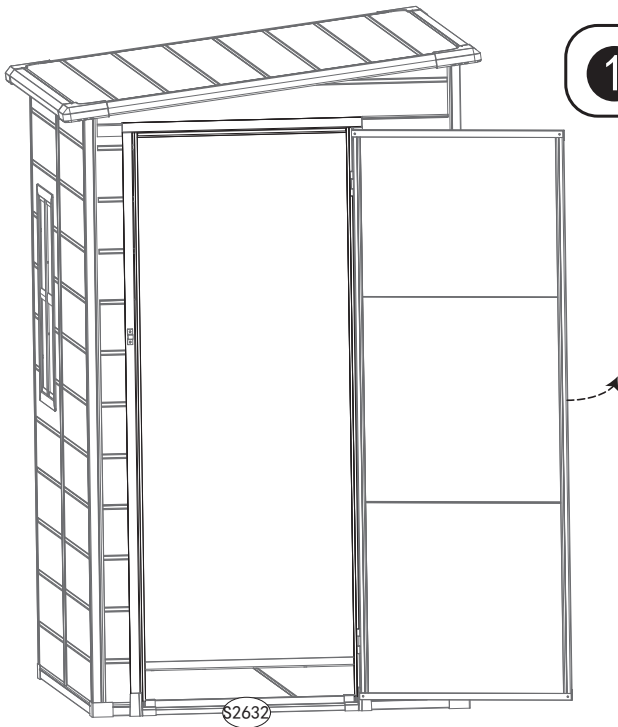
Sealing -2

(x2)

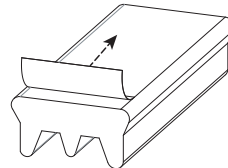


The seal can effectively prevent the rain from entering

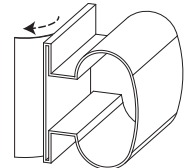
1 Open the door



2 Please remove the plastic film from the sealing strip

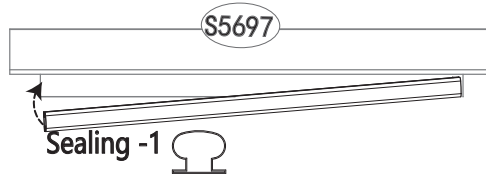


Sealing -2

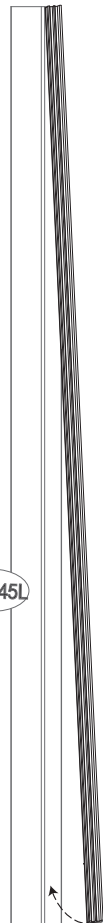


Sealing -1

3 Attach sealing strips as shown

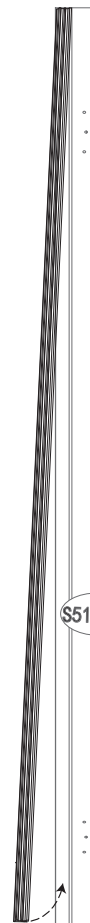


S51645L



Sealing -2

S51645R



Sealing -2

