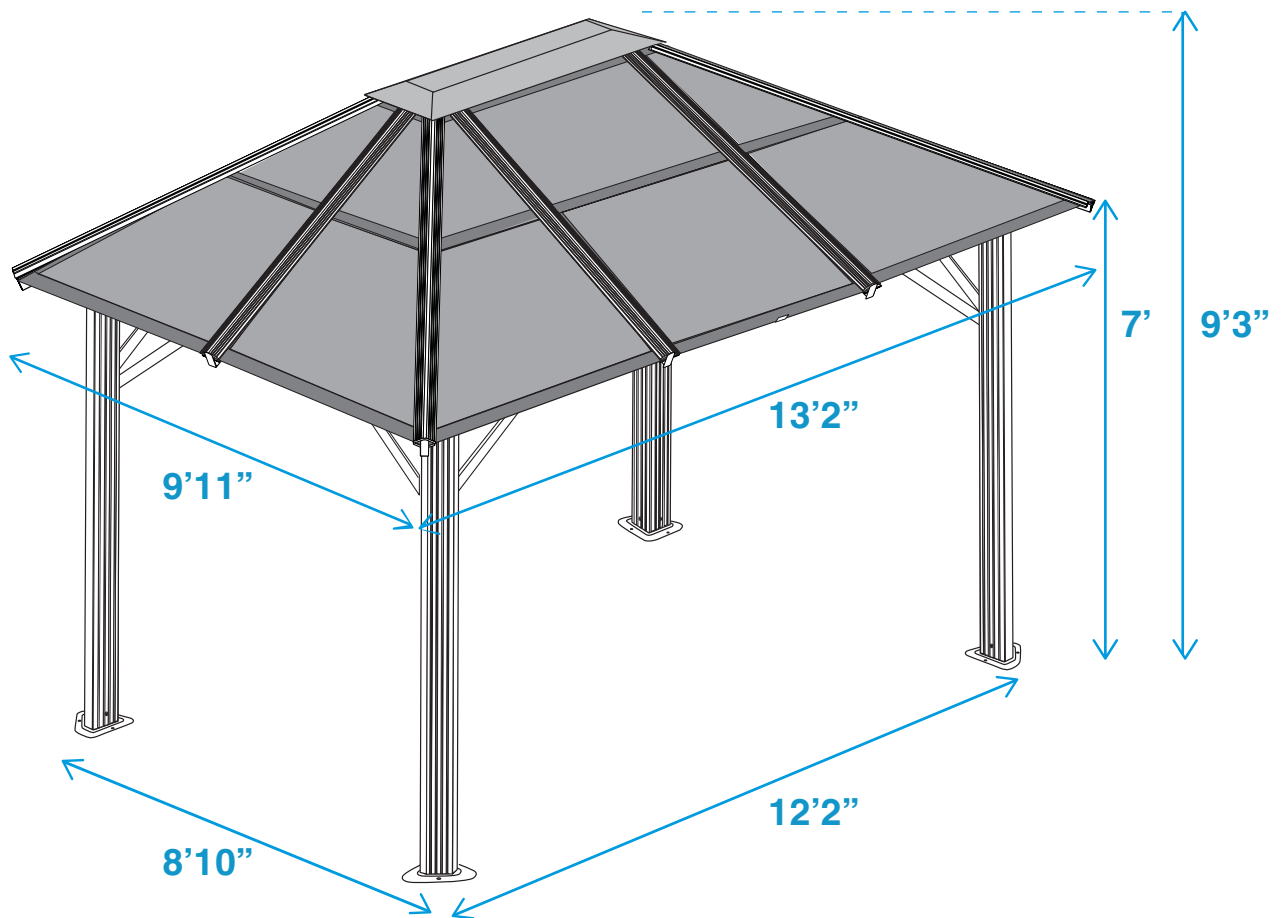




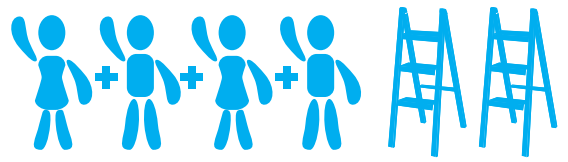
Gazebo GZ3584

Aluminum Composite Roof Panels

Assembly Instructions



Systems Trading Corporation
Customer service: (877)782 4482 Email: easygrow@stcaustin.com



Introduction

Thank you for purchasing the Gazebo GZ3584.

When properly assembled and maintained, this gazebo will provide many years of enjoyment!

These instructions include helpful hints and important information needed to safely assemble and properly maintain the gazebo. Please read these instructions completely before you begin.

Our patented gazebo has been designed for easy assembly. All steps can be completed by a team of four people. The assembly should take about two hours.

Before Starting Assembly:

CAREFULLY READ ALL THE INSTRUCTIONS BEFORE YOU BEGIN AND FOLLOW THE STEPS IN THE ORDER THEY ARE PRESENTED.

1. Make sure you have all the necessary parts:

Compare the contents of the two cartons to the List of Parts. If any parts are missing or damaged, or you have any questions, please contact Customer service: (877)782 4482 before beginning assembly.

2. Lay the parts out in separate staging areas:

The List of Parts has the corresponding step number referenced to each part. We recommend that while you go through the list, make staging areas for each step and place the parts necessary for each step in these areas. This will save you time and effort during assembly.

3. Select a Location:

When selecting a location for your gazebo, a flat level area is essential and if possible with proper water drainage and easy access to power and water, if necessary.

Choose a sunny, level position away from overhanging trees and power lines and protected from the wind as much as possible. Locate underground pipes or cables before preparing the site or anchoring the gazebo.

Note: You may assemble the gazebo on a hard level surface and move it to its final location when finished. Make sure that there are no obstacles between the assembly area and the final position.

4. Prepare a Foundation:

After choosing a location, proper preparation of the site is recommended. The site must be level.

If the site is not level, create a base slightly larger than the outside dimensions of the gazebo using a perimeter of two by fours filled with either soil, sod or gravel.

Make sure the base is square by measuring the diagonals from both directions and making sure they are equal. The gazebo is secured with pegs into holes cast with concrete.

If you decide to have a concrete base, it is best to contact a reliable contractor to make sure it is flat and level. Make sure you have checked with your local authorities regarding any required building permits.

5. Make sure you have the proper tools:

- Tape Measure
- Work Gloves
- Safety goggles
- Phillips Screwdriver
- Spirit Level
- 2 Small Step Ladders
- Wooden Mallet
- Scissors
- Liquid soap or WD40 Lubricant
- Hex Key (included)

NOTE: A cordless drill with Phillips head bit is highly recommended but not essential.

Safety Advice

- The gazebo must be positioned and fixed on a flat level surface.
- Dispose of all plastic bags safely. Keep them out of the reach of children.
- Keep children and pets away from the assembly area until the work is completed.
- Always wear shoes, gloves and safety goggles when working.
- Take special care not to touch overhead power lines with the aluminum profiles.
- Do not attempt to assemble the gazebo in windy or wet conditions.
- Do not position your gazebo in an area exposed to excessive wind.
- If using power tools or a ladder, always follow the manufacturers safety instructions.
- Hot items such as recently used grills, blow-torches etc. must not be stored in the gazebo.
- Make sure the gazebo complies with local building codes.

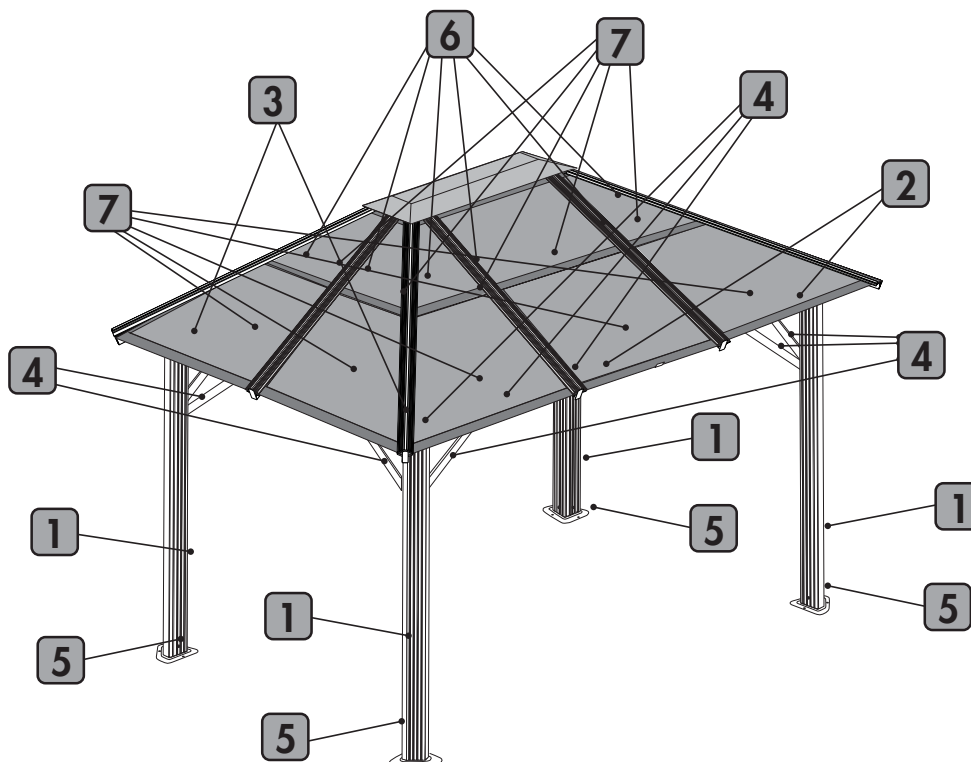
Table of Contents

Introduction.....	2
Table of Contents.....	3
List of Parts.....	4
Step 1 Assembling the Corner Profiles.....	6
Step 2 Assembling the Roof Profiles.....	7
Step 3 Attaching the Roof Profiles to Corner Profiles..	8
Step 4 Attaching the Upper Roof Profiles and Roof Connectors to Roof and Corner Profiles.....	9
Step 5 Securing the Gazebo to the Ground.....	12
Step 6 Installing the Roof Gables.....	13
Step 7 Installing the Roof Panels.....	18



ATTENTION:

DO NOT ATTEMPT TO ASSEMBLE THE GAZEBO ALONE!

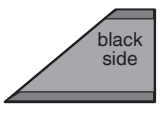
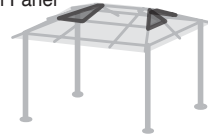
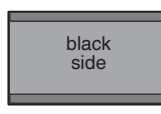
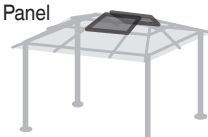
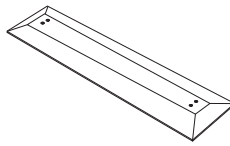

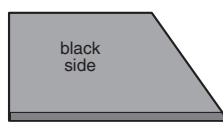

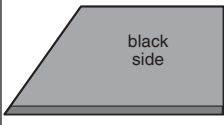
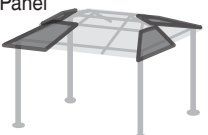
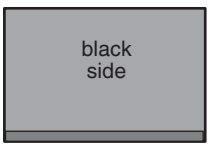
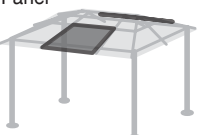
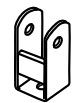
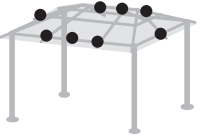

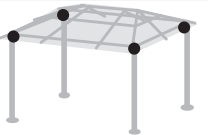
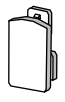
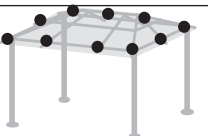
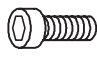




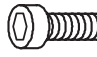

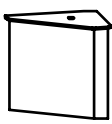






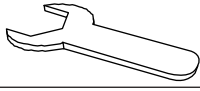

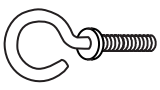
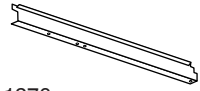

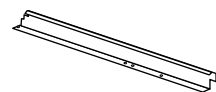

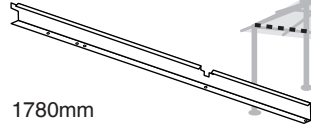
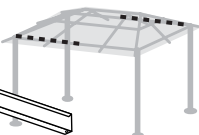
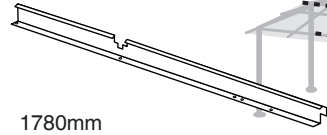
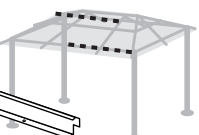




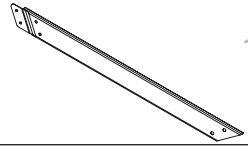

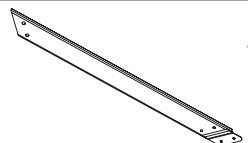



List of Parts

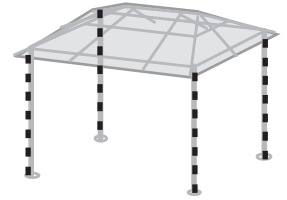


The gazebo is shipped in 3 cartons. These cartons are heavy. Be careful when lifting them. Wear proper safety gear including work shoes, gloves and goggles. The parts are identified by removable stickers. Place all the parts for each step in staging areas, checking that you have all parts as you go. If any parts are missing or damaged, contact STC customer service before beginning assembly: Customer service: (877)782 4482

No.	Part	Qty	Step	No.	Part	Qty	Step
1	2200mm	4	1	9	1	6	6
2	4	1	1	10	2170mm	4	6
3	2000mm	2	2	11	1584mm	6	6
4	1650mm	2	2	12	1580mm	2	6
5	1500mm	2	2	12A	1	6	6
6	1150mm	2	2	13	4	7	7
7	6	7	7				
8	4	7	7				

No.	Part	Qty	Step				
16	Aluminum Composite Roof Panel 	4	7				
17	Aluminum Composite Roof Panel 	2	7				
18		1	6				
19	Aluminum Composite Roof Panel 	4	7				
20	Aluminum Composite Roof Panel 	4	7				
21	Aluminum Composite Roof Panel 	2	7				
22		8	4				
23		4	4				
24		10	7				
25	 M6 x 15mm	127	1,2 4,6				
26	 M5 x 38mm	34	7				
27	 	12	6				
28	 M4 x 8mm	10	7				
29	 M8 x 15mm	32	3				
30		4	6				
31		4	1				
32		12	5				
33		1					
34	  	12	5				
35		1					
36		4	4				
37		1	6				
40	 1276mm	2	4				
41	 1276mm	2	4				
42	 1780mm	2	4				
43	 1780mm	2	4				
44A		4	4				
44B		4	4				
45A		4	4				
45B		4	4				

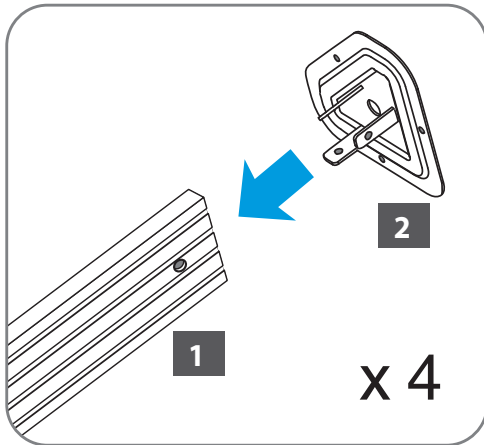
STEP 1 Assembling the Corner Profiles



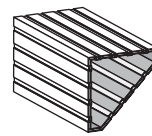
Place all the parts on a level surface.
Make sure the pieces are in the correct positions before assembling.
Carefully follow the order of assembly to ensure an easy installation.
Wear proper safety gear including work shoes, gloves and goggles.

1.A

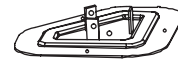
Place corner profiles (1) parallel to each other on the ground. Slide support plates (2) into corner profiles from the end with a single screw hole, as shown.



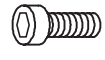
Components



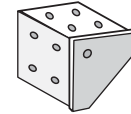
Corner profile (1)
x 4



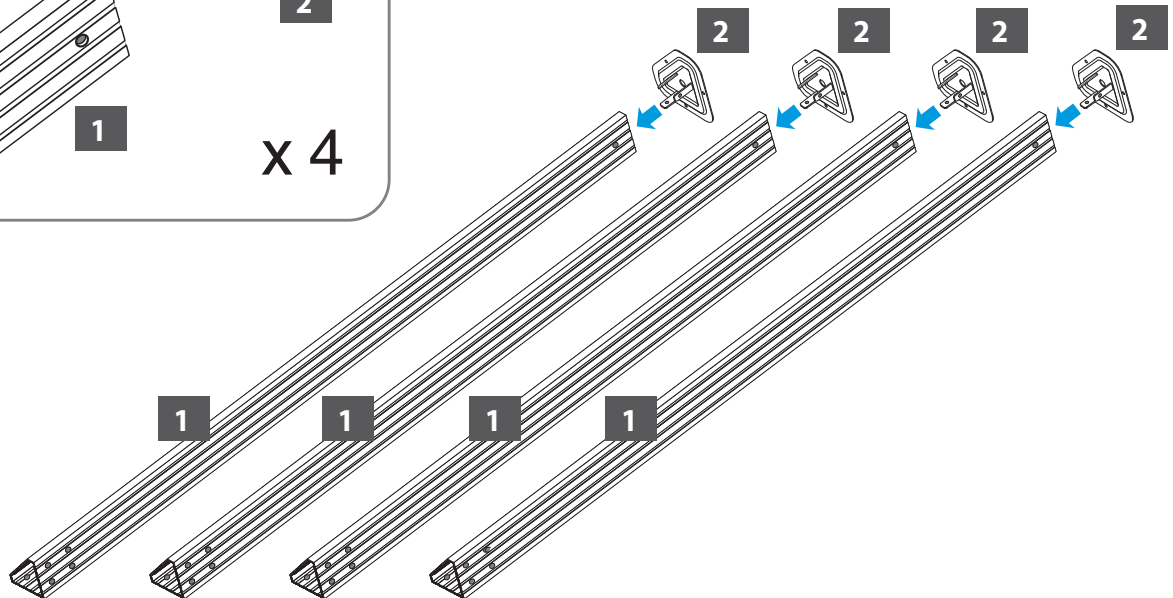
Support plate (2)
x 4



Screw (25)
x 12

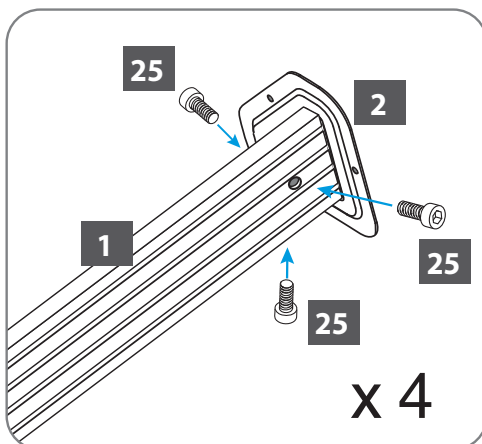


Corner profile cover (31)
x 4



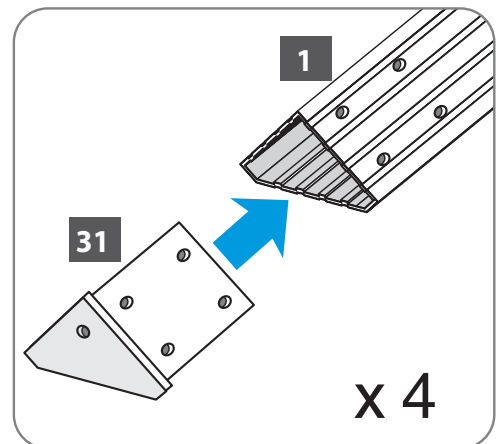
1.B

Fasten each plate to profile using three screws (25).



1.C

Insert corner profile covers (31) into top ends of corner profiles (1) as shown.

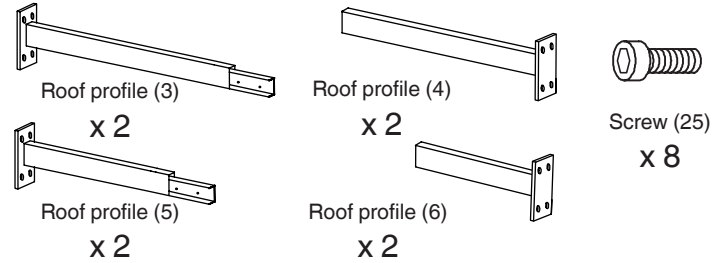


STEP 2 Assembling the Roof Profiles

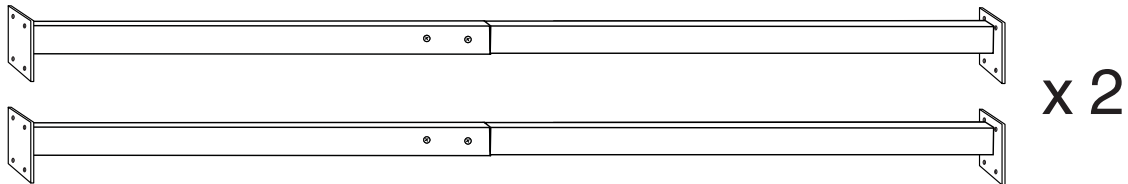
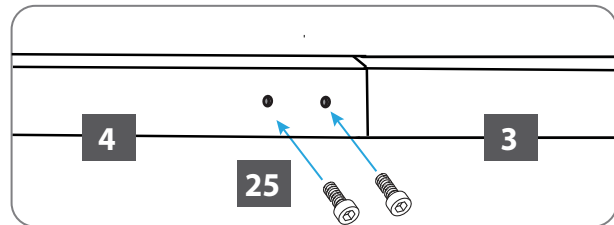
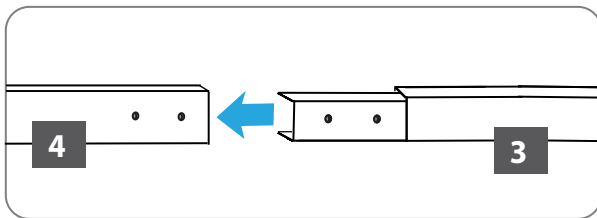
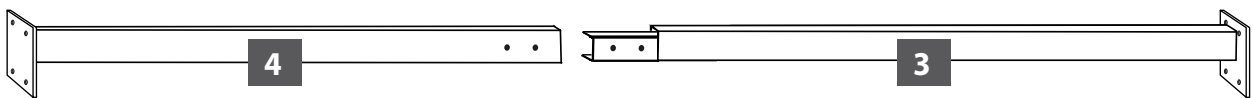


Place all the parts on a level surface. Make sure the pieces are in the correct positions before assembling. Carefully follow the order of assembly to ensure an easy installation. Wear proper safety gear including work shoes, gloves and goggles.

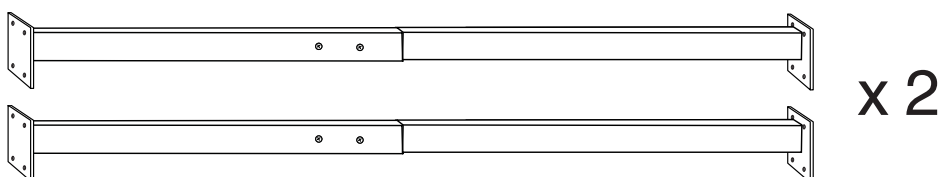
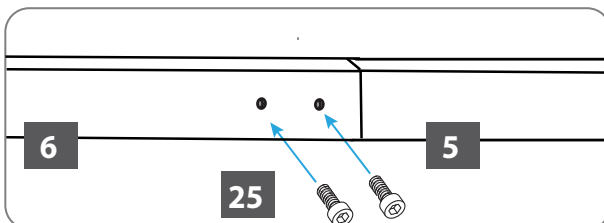
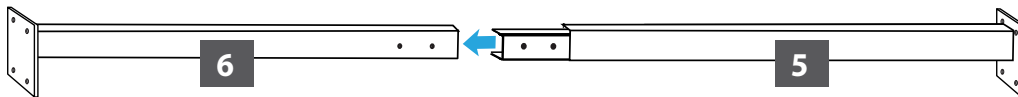
Components



2.A Insert end of long roof profile (3) into long roof profile (4) as shown. Fasten with screws (25). Repeat to make two sets.



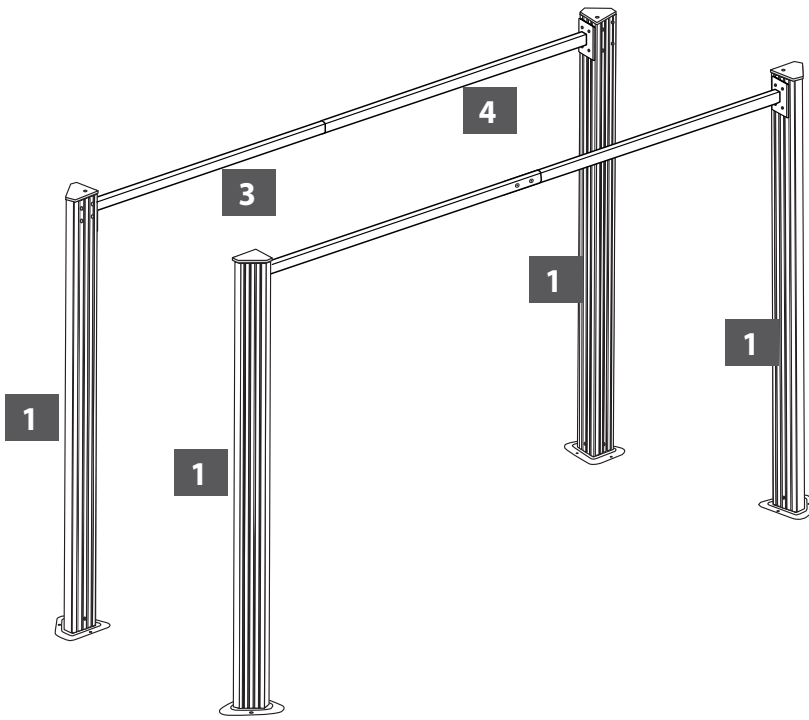
2.B Insert end of short roof profile (5) into short roof profile (6) as shown. Fasten with screws (25). Repeat to make two sets.



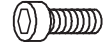
STEP 3 Attaching Roof Profiles to Corner Profiles



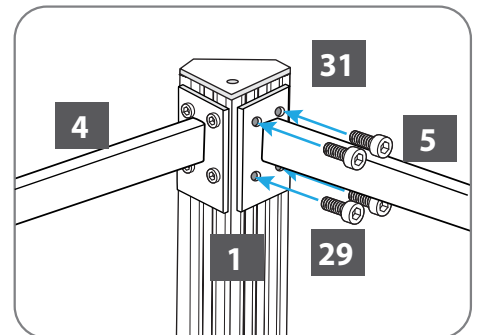
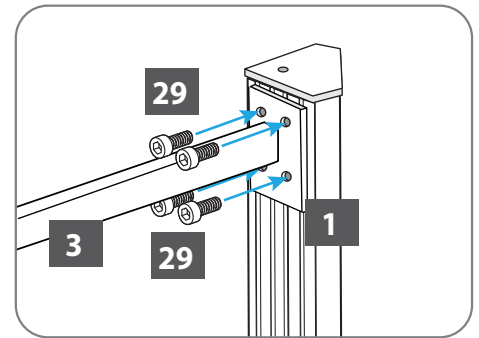
3.A Attach long roof profile sets (3,4) to corner profiles (1) as shown. Fasten with screws (29). Repeat to make two sets.



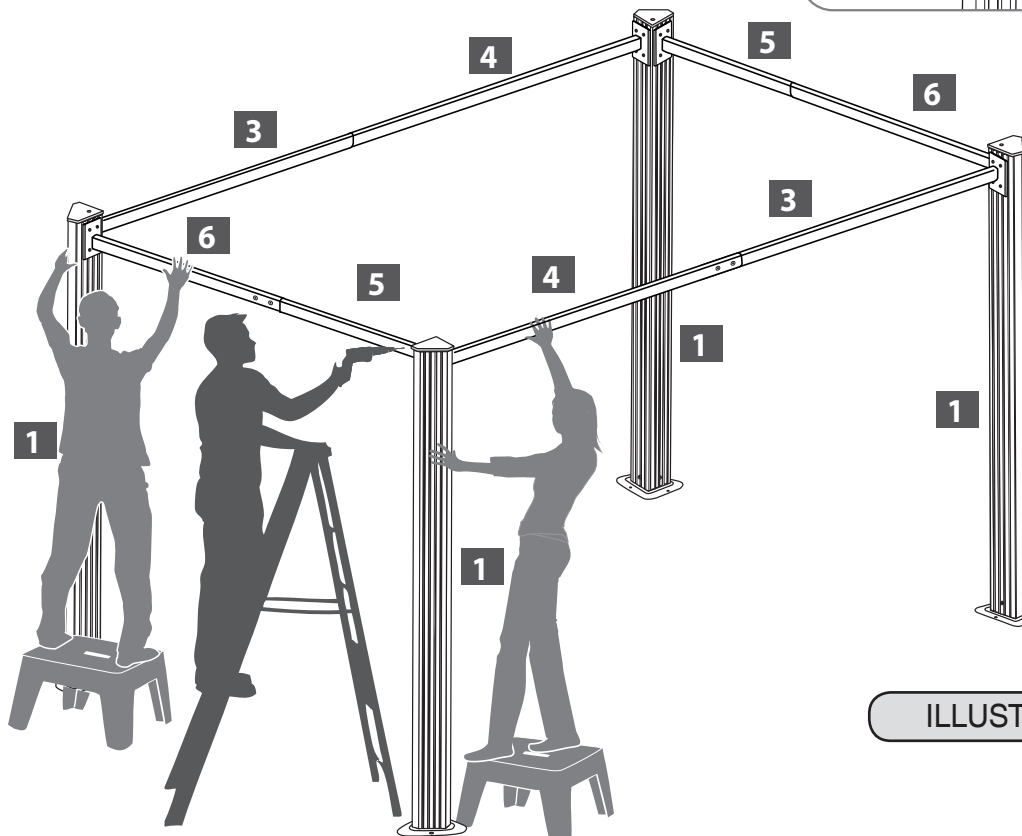
Components



Screw (29)
x 32

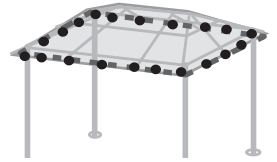


3.B Attach short roof profile sets (5,6) to corner profiles (1) as shown. Fasten with screws (29).

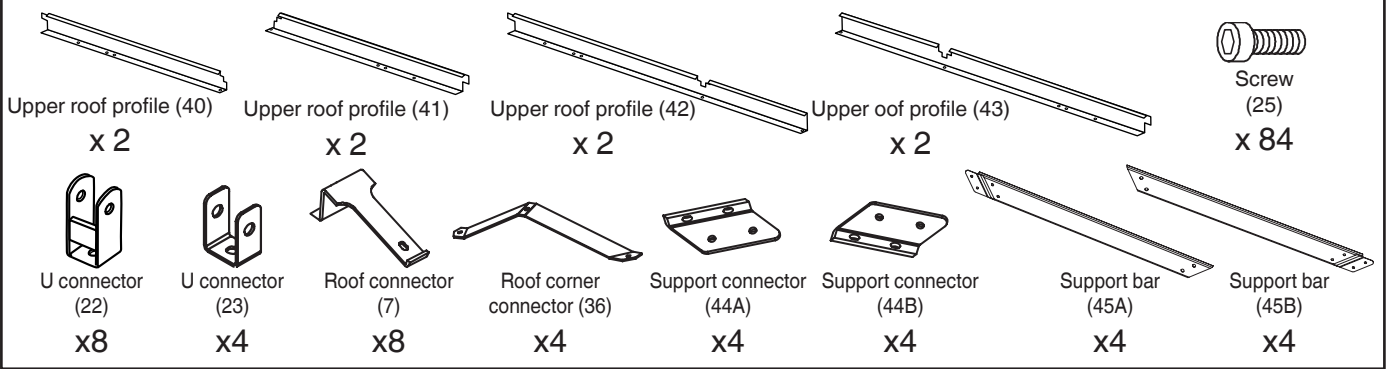


ILLUSTRATION

STEP 4 Attaching the Upper Roof Profiles and Roof Connectors to Roof and Corner Profiles

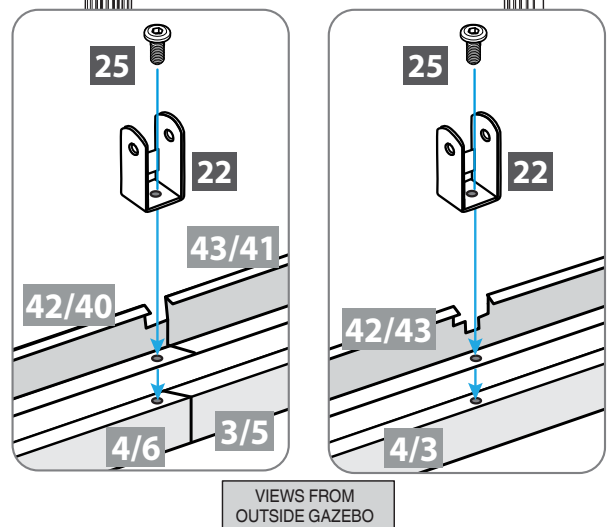
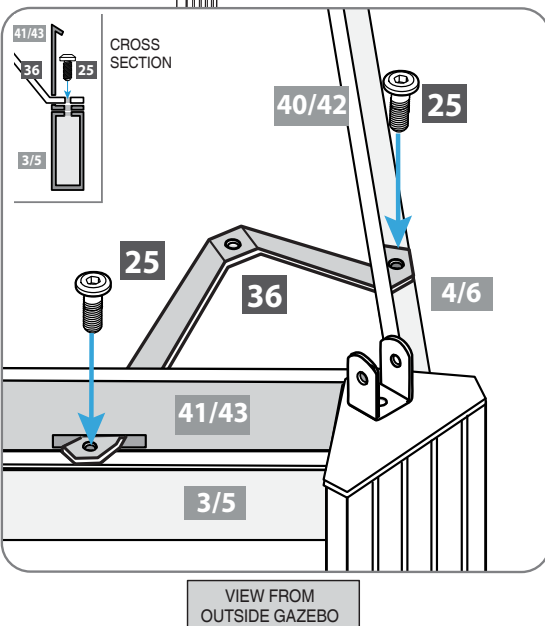
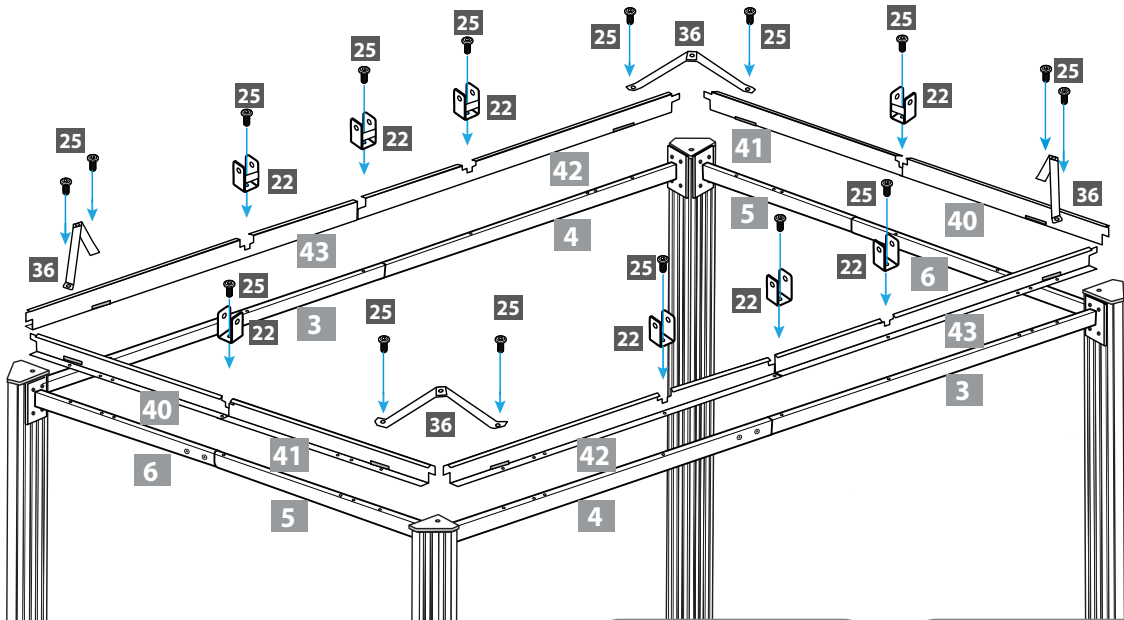


Components



4.A

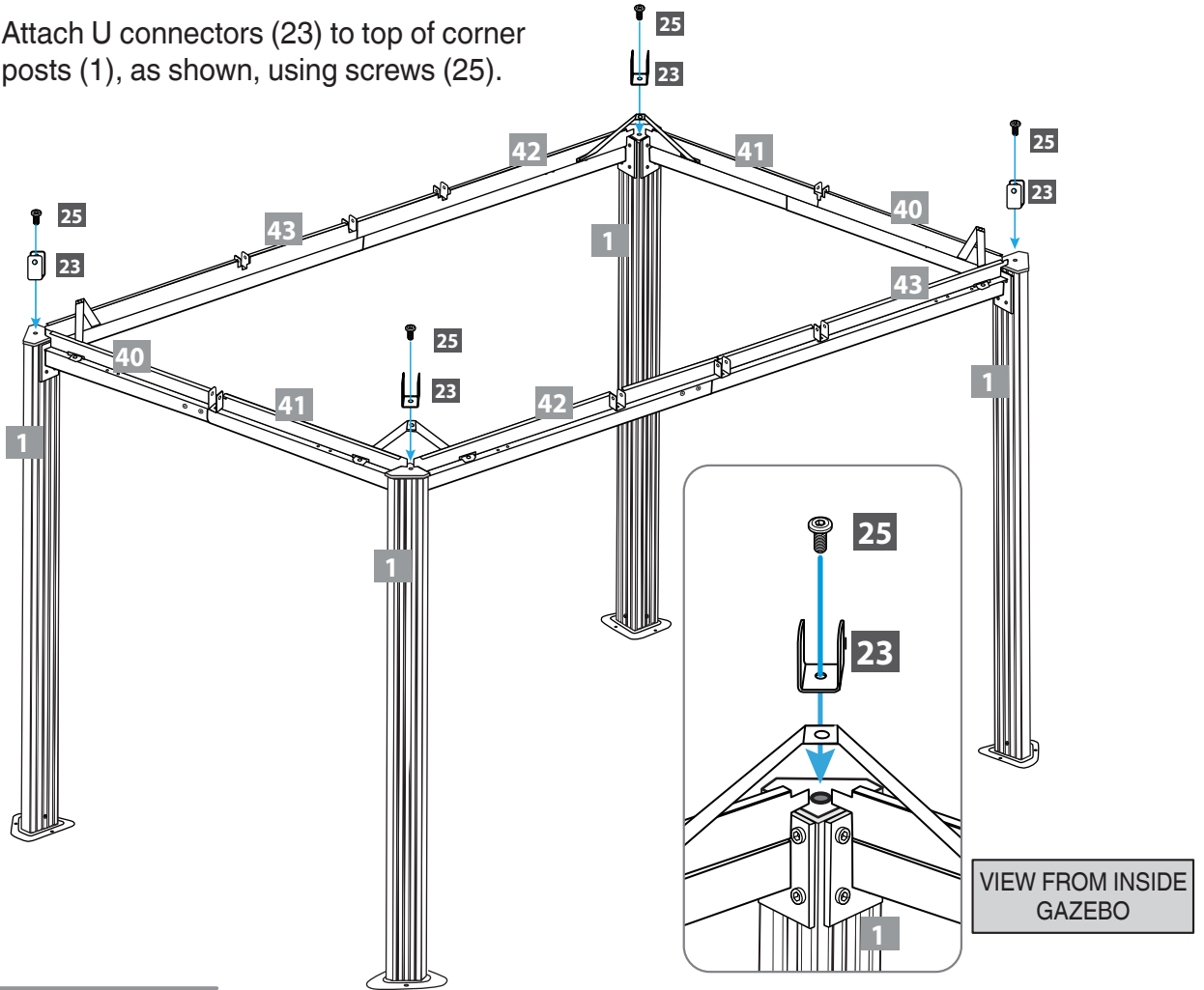
Attach upper roof profiles (40,41,42,43) to roof profiles (3,4,5,6) as shown. Overlap profiles in middle of each gazebo side to form one single screw hole. Fasten with screws (25), attaching U connectors (22) at same time, as shown. Slide ends of parts (36) through slits in profiles (40,41,42,43) from inside gazebo and fasten with screws (25).



ATTENTION: One side of the U Connector (22) has a reinforcement bar, which should be facing the inside of the gazebo. The side without the bar should be facing out when installing on profiles (41,42,43,44).

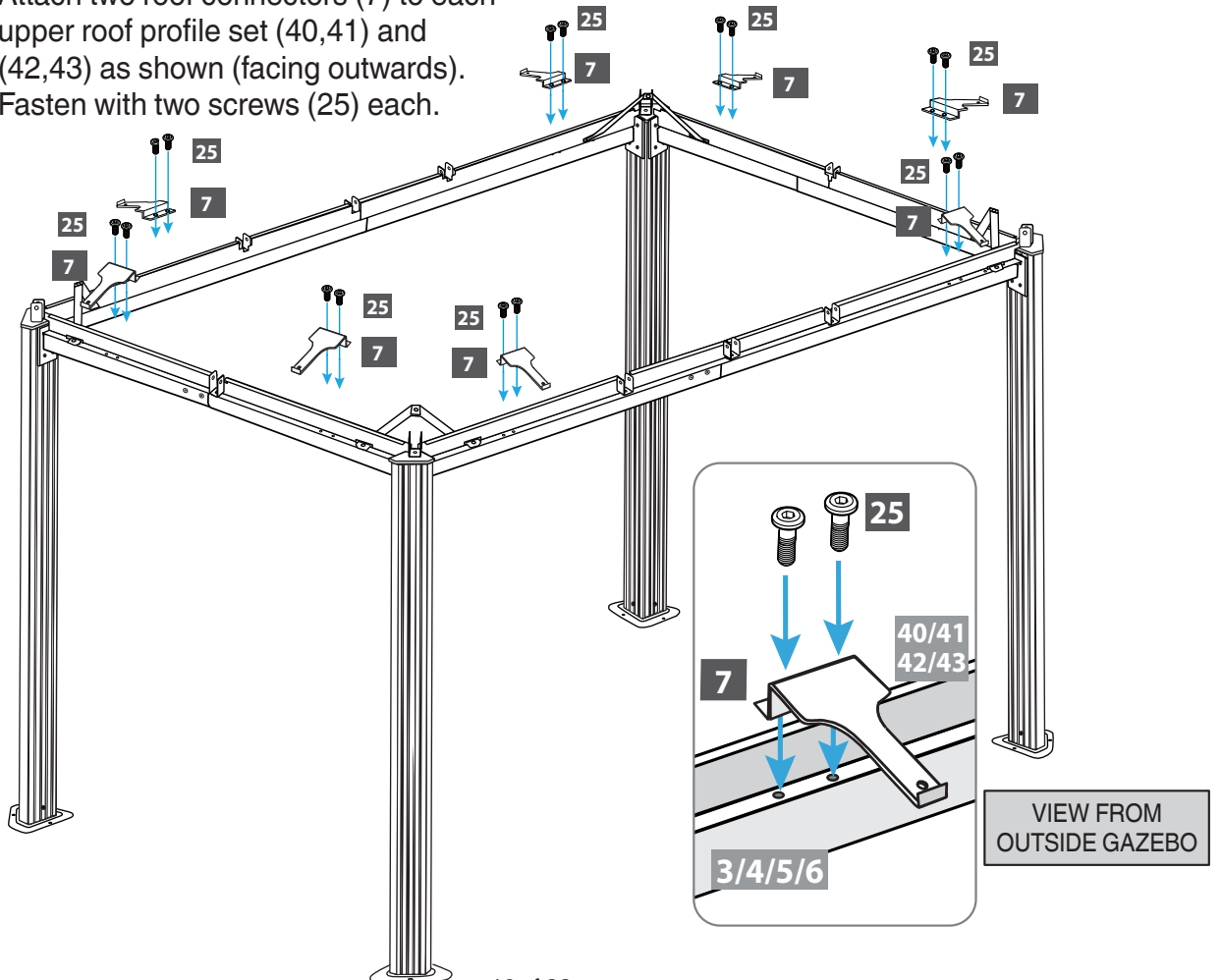
4.B

Attach U connectors (23) to top of corner posts (1), as shown, using screws (25).



4.C

Attach two roof connectors (7) to each upper roof profile set (40,41) and (42,43) as shown (facing outwards). Fasten with two screws (25) each.

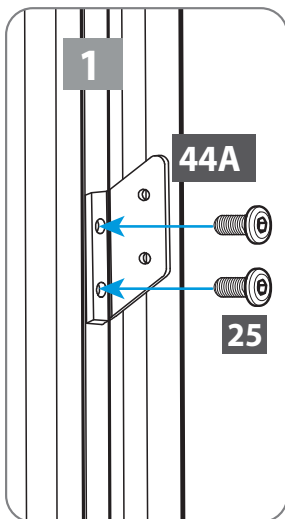
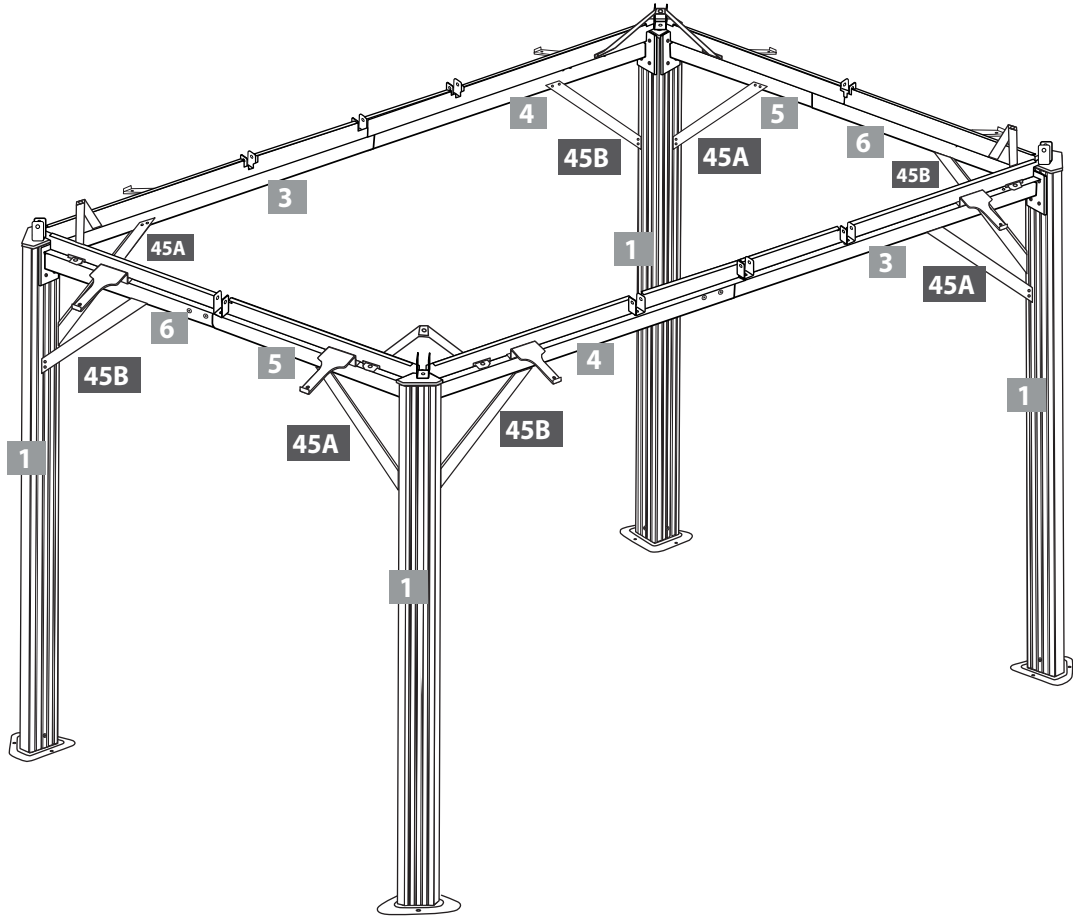


4.D

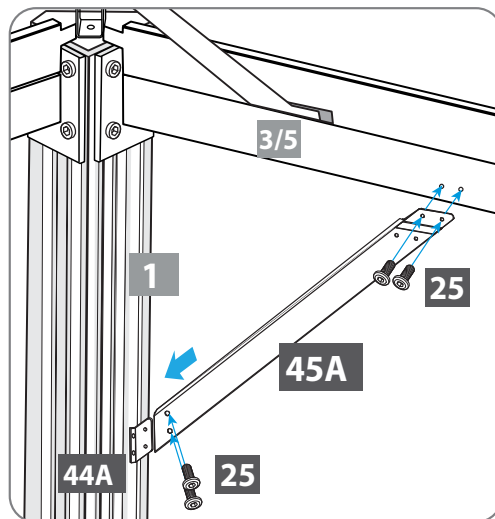
Attach one support connector (44A) and one support connector (44B) to each corner post (1) at pre-drilled screw holes, using two screws (25) each.

Slide support bars (45A) onto support connectors (44B) and fasten with two screws (25). Attach upper end of support bars (45A) to roof profiles (3,5), fasten with two screws (25).

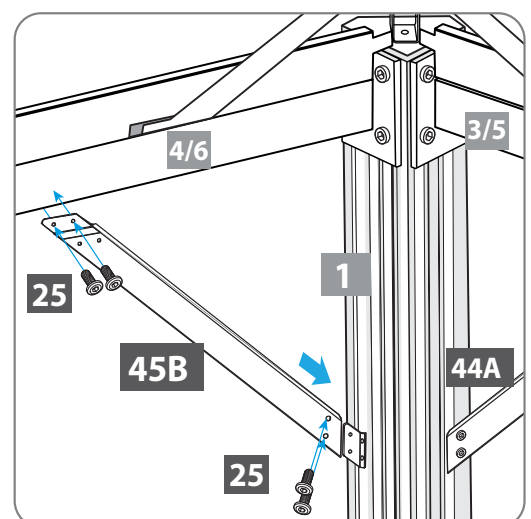
Slide support bars (45B) onto support connectors (44A) and fasten with two screws (25). Attach upper end of support bars (45B) to roof profiles (4,6), fasten with two screws (25).



VIEW FROM INSIDE
GAZEBO



VIEW FROM INSIDE
GAZEBO

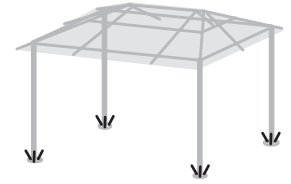


VIEW FROM INSIDE
GAZEBO



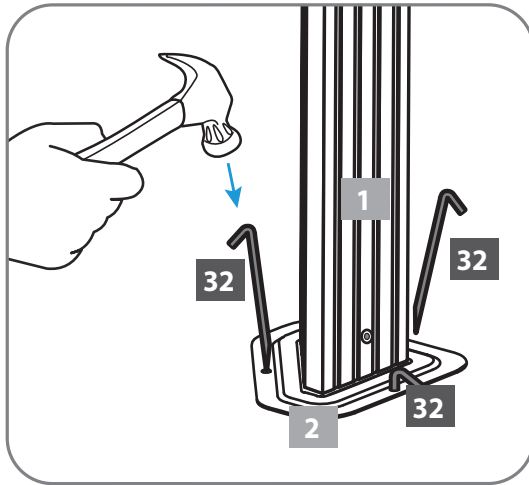
IMPORTANT: After this step you should place the gazebo frame in its desired location. Make sure all corners are squared at 90 degrees.

STEP 5 Securing the Gazebo to the Ground



5.A

Fasten the gazebo frame to the ground, using three spikes (32) for each support plate.



Components



Ground spike (32)
x 12

Optional Securing the Gazebo to a Concrete Floor or Wood Deck

Concrete Floor:

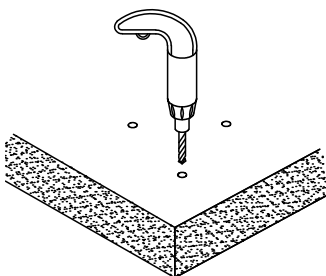
1. Using an electric concrete drill, drill holes into the concrete floor, corresponding to the holes in the support plates.
2. Insert concrete screws (34) into the holes and hammer into place, using a mallet.
3. Fasten concrete screws with washers and nuts.

Components

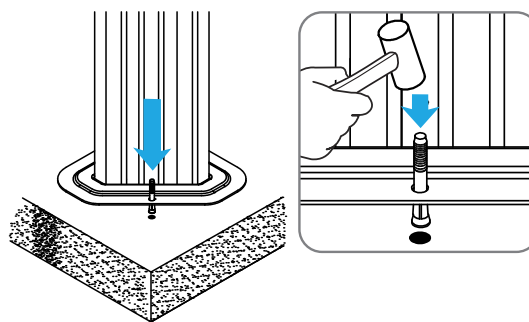


Concrete screws, washers and nuts (34)
x 12

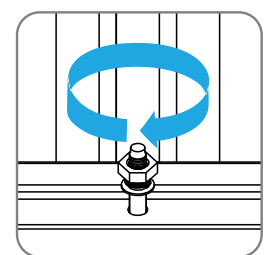
1.



2.



3.



Wood Deck:

1. Using an electric wood drill, drill holes into the wood floor, corresponding to the holes in the support plates.
2. Insert wood screws with washers (not supplied) into the holes and fasten, using an electric screw driver.

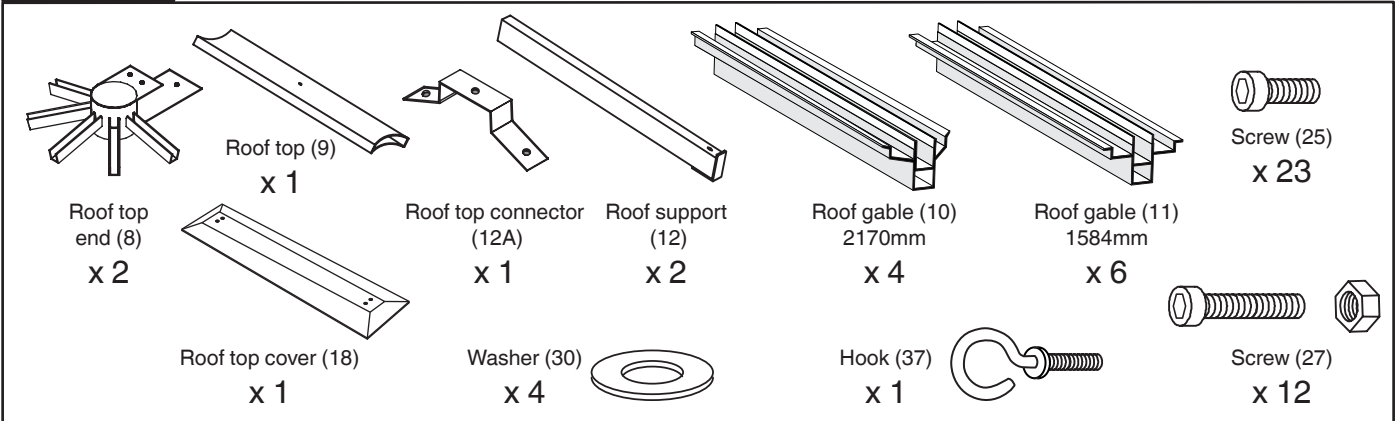


Wood Screws, washers x 12
NOT SUPPLIED
to be purchased by user

STEP 6 Installing the Roof Gables

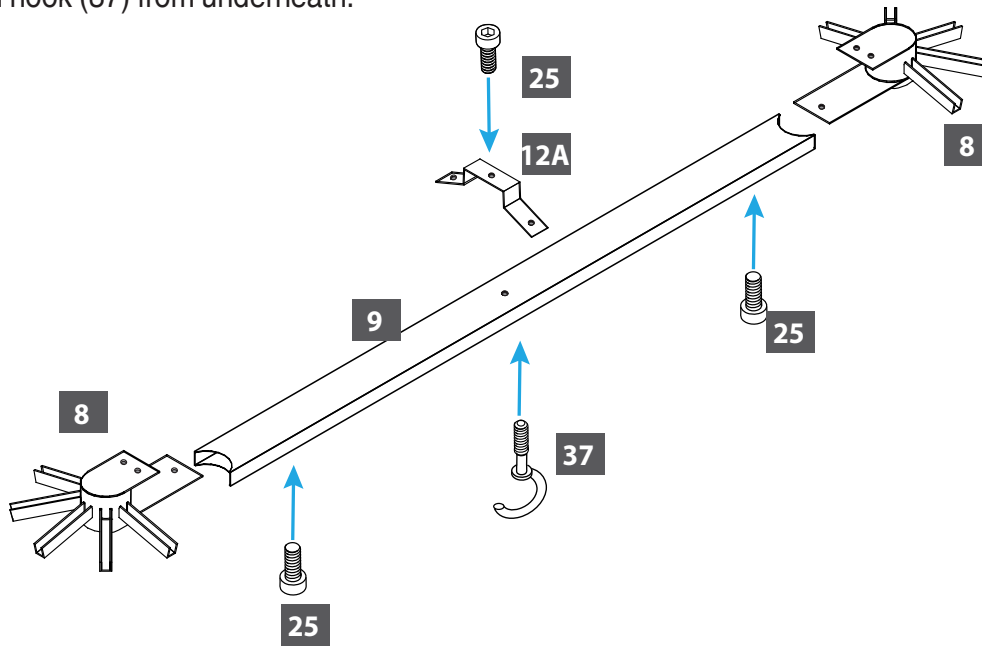


Components

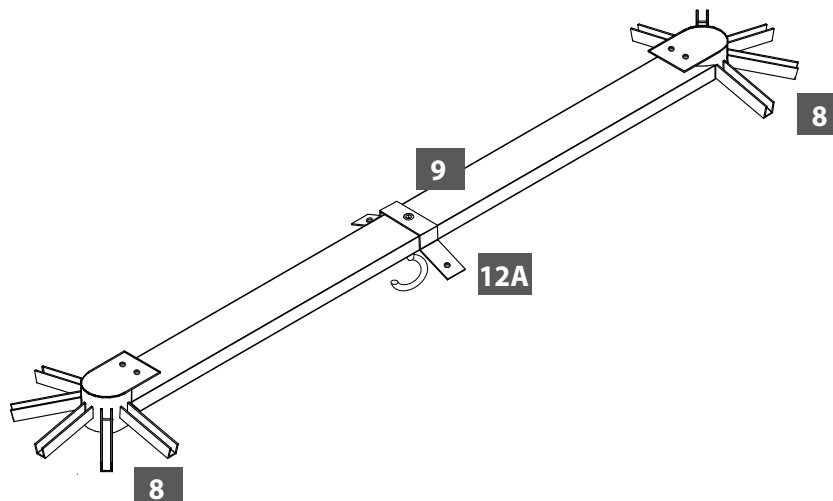


6.A

Insert roof top ends (8) into both sides of roof top (9) and fasten with screws (25) from underneath. Attach hook (37) from underneath.

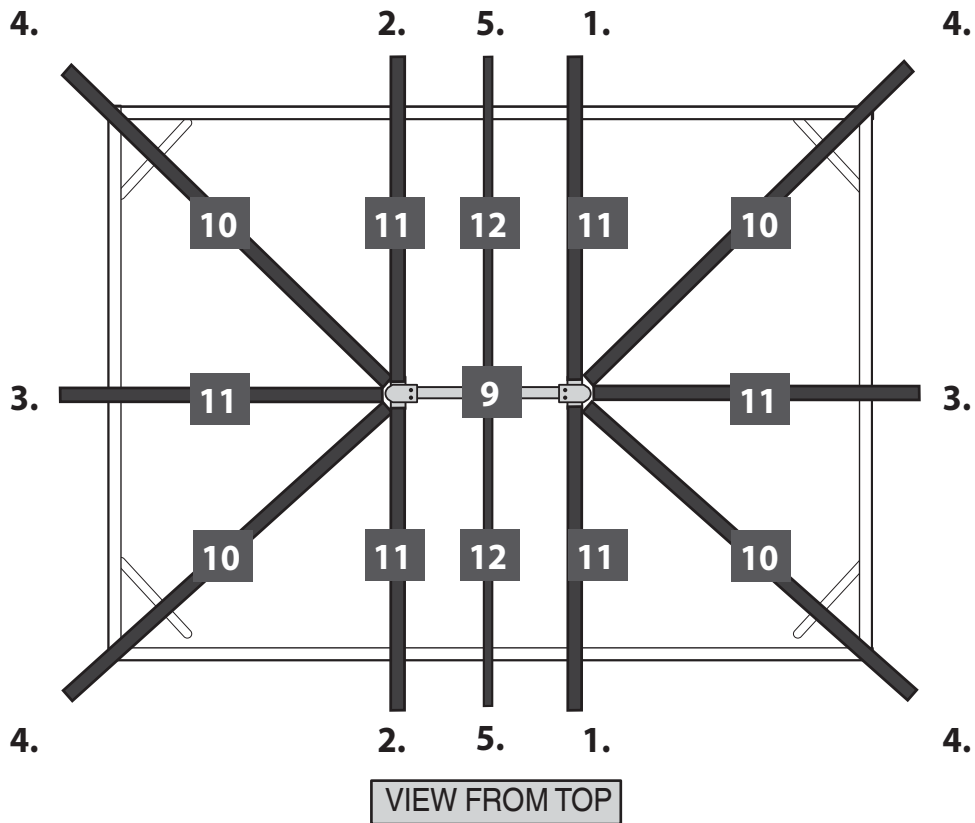


Attach roof top connector (12A) to roof top (9) and fasten with screw (25) from the top.



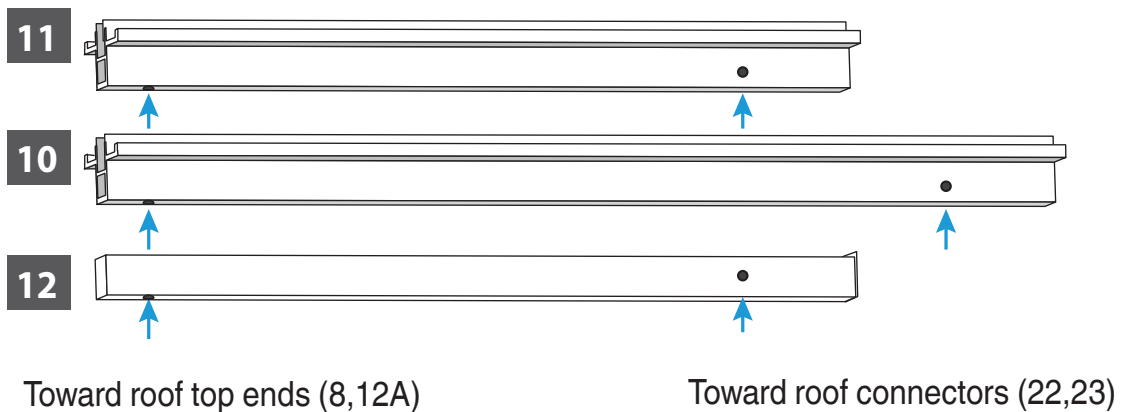
6.B

Using at least three people, install the roof gables (10,11,12) in the following order:



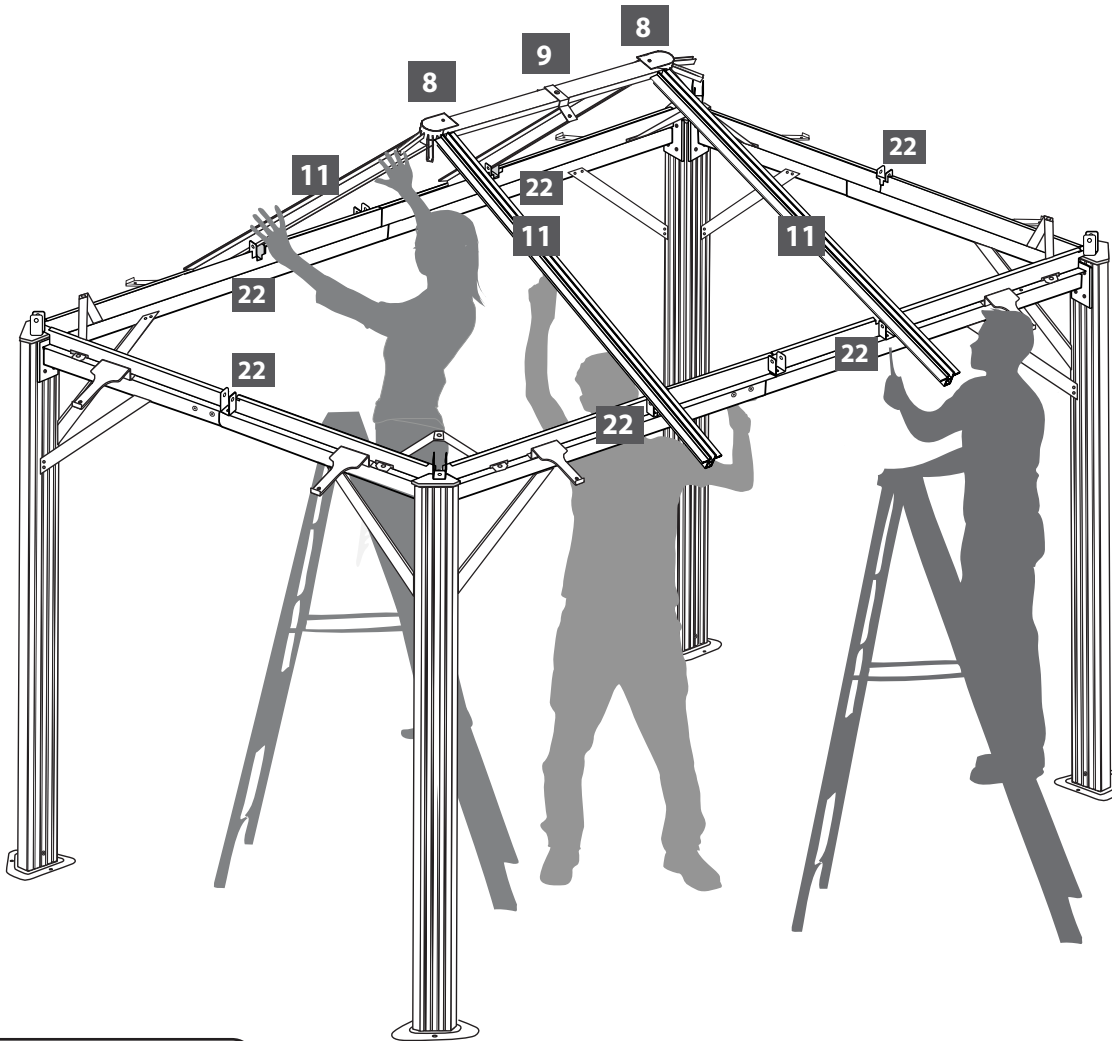
IMPORTANT:

The roof gable profiles (10,11) have pre-drilled screw holes underneath on each end. The end with the shorter distance to the screw hole is connected to the roof top ends (8) and the end with the longer distance to the screw hole is connected to the roof connectors (22,23).

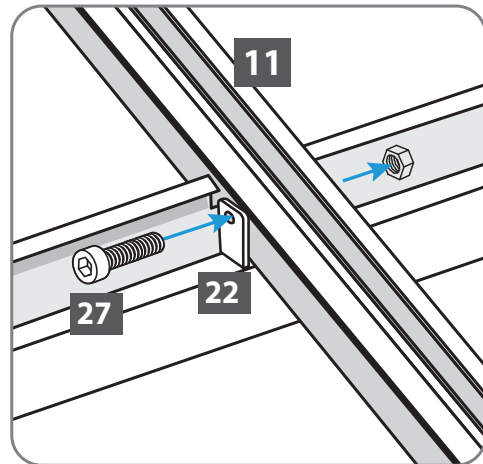
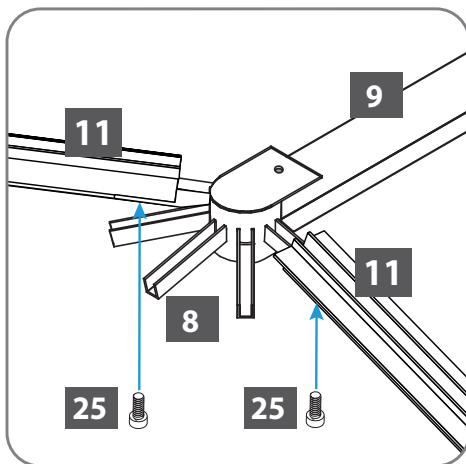


6.C

Using screws (25), first connect four roof gable profiles (11) to roof top ends (8)
Then use screws (27) to attach their other ends to roof connectors (22) as shown.

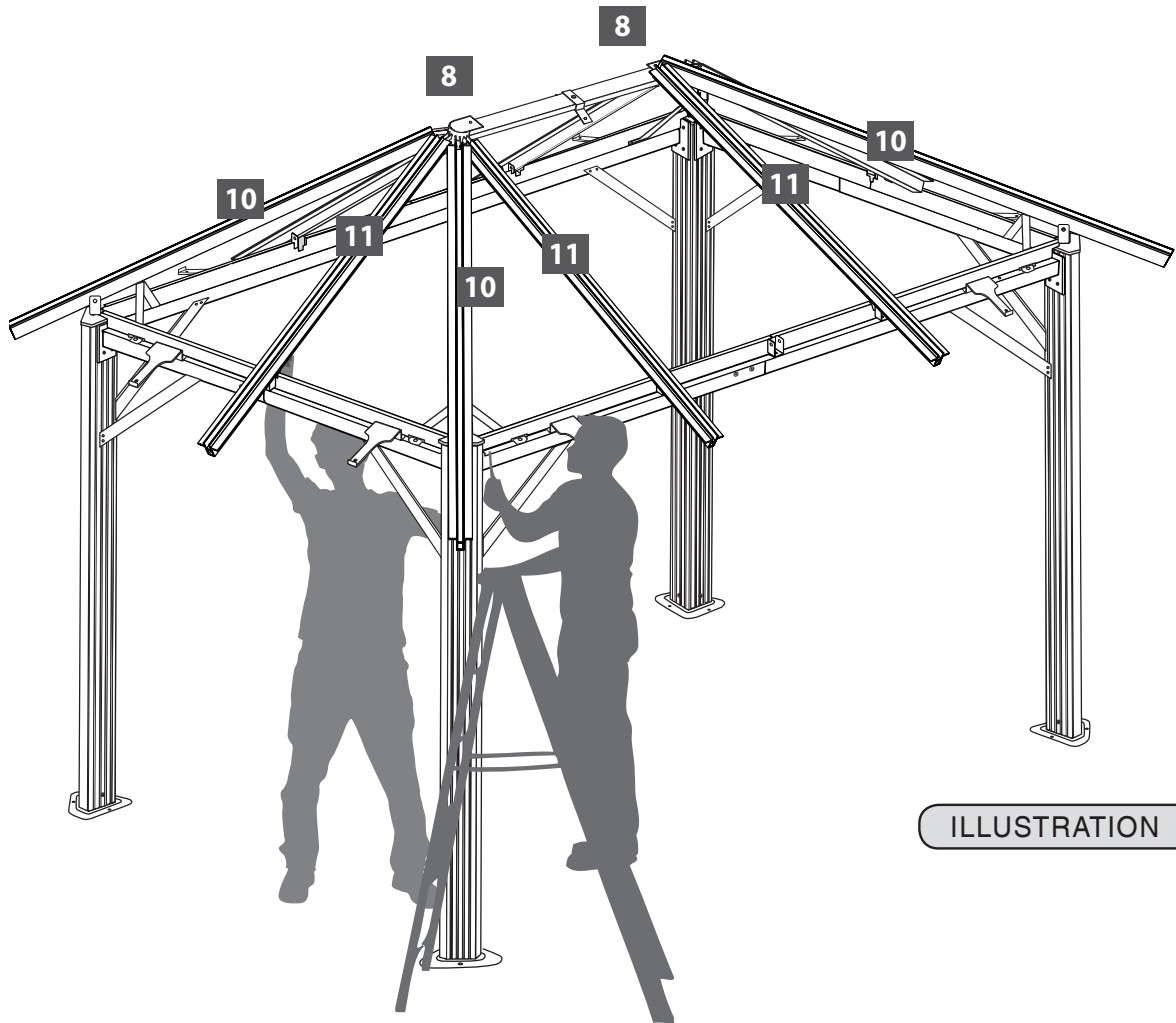


ILLUSTRATION

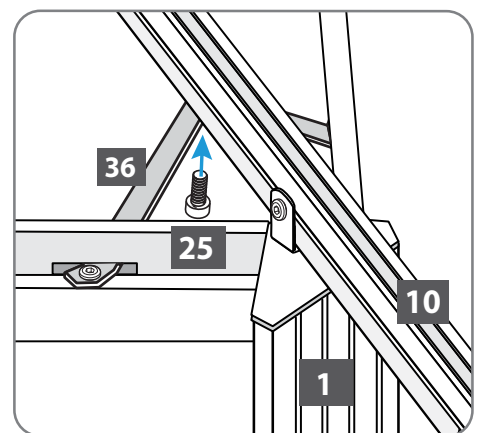
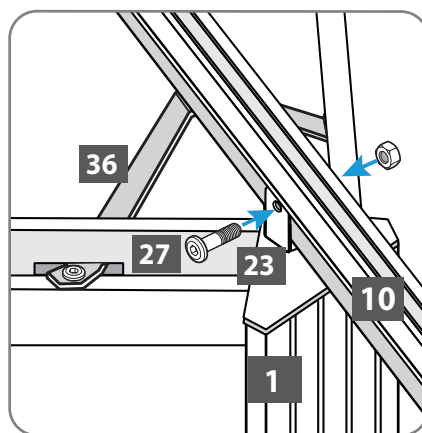
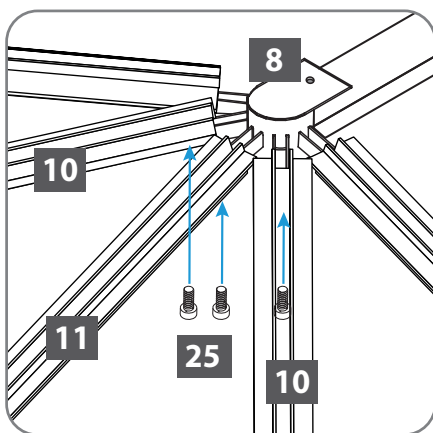


6.E

Using at least two people, slide roof gable profiles (10,11) into tunnels of roof top ends (8) and attach with screws (25) from underneath. Then use screws (27) to attach their other ends to roof connectors (22,23) as shown.



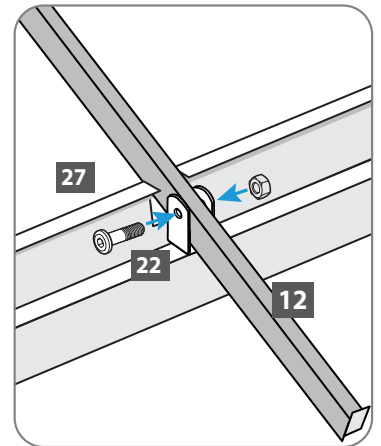
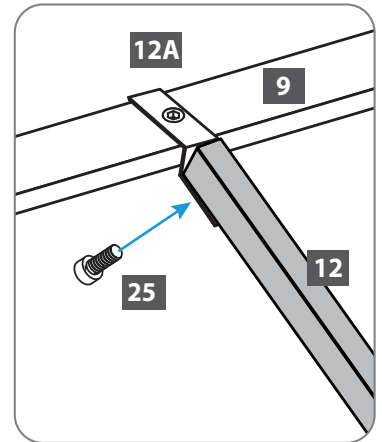
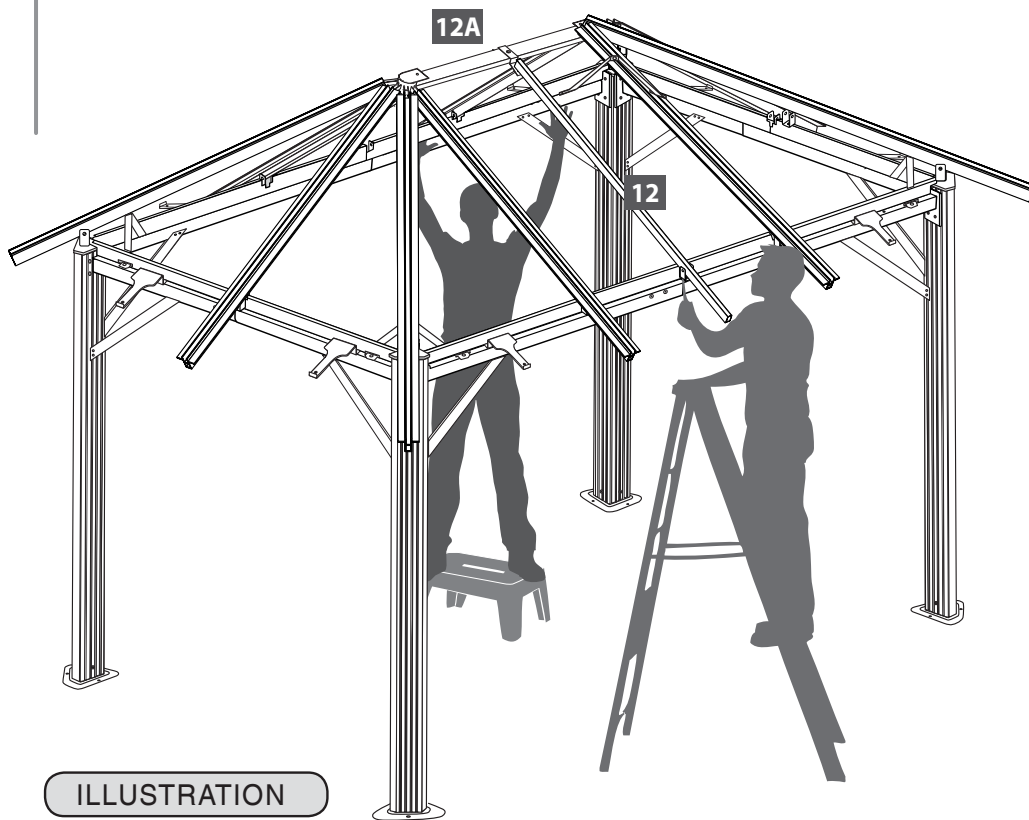
Use screws (25) to attach roof gable profiles (10) to roof connectors (36) from underneath as shown.



VIEW FROM
OUTSIDE GAZEBO

6.F

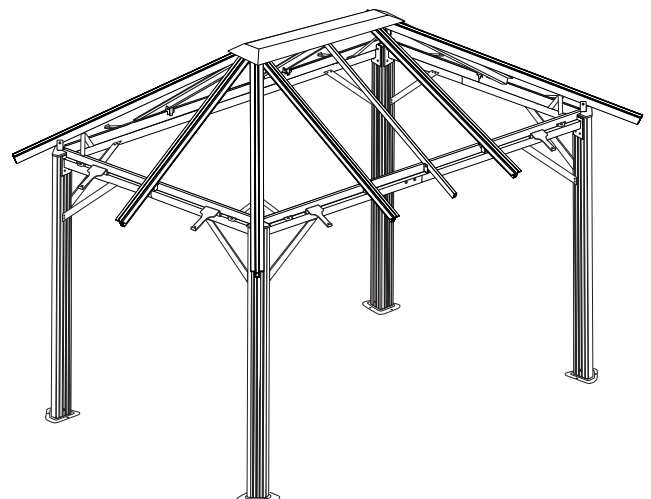
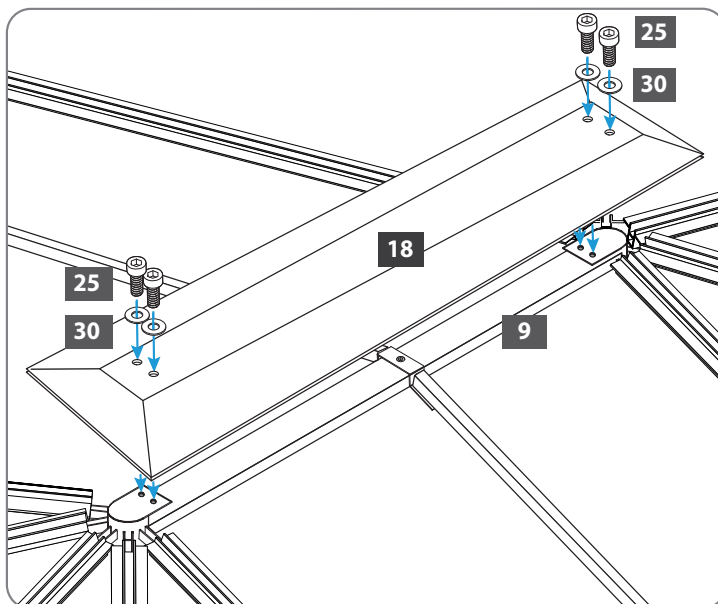
Attach roof support profiles (12) to roof connector (12A) on roof top (9) and fasten with screws (25) from underneath. Attach their other end to roof connectors (22) using screws (27).



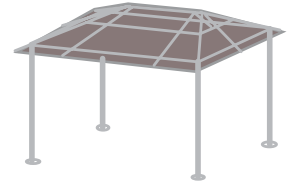
VIEW FROM
OUTSIDE GAZEBO

6.G

Attach roof top cover (18) to roof top ends (8) on roof top (9) and fasten with four screws (25) and washers (30) from the top as shown.



STEP 7 Installing the Roof Panels



! Remove protective plastic from both sides of roof panels. Place side to face toward the sun facing out when installing.

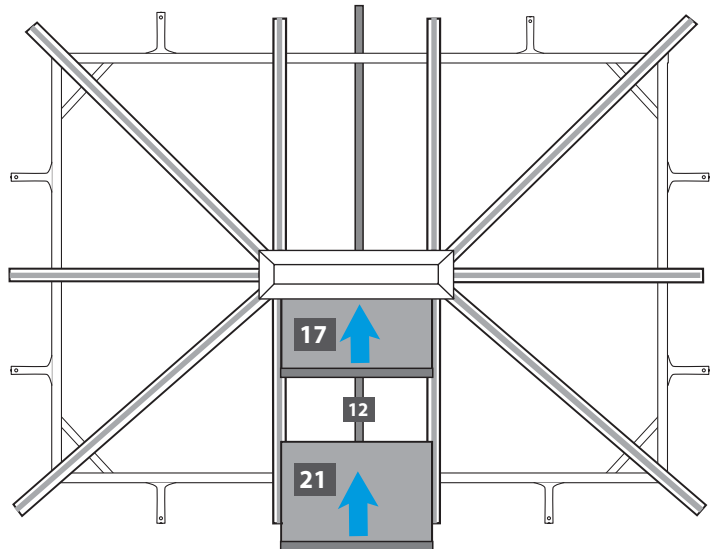
Components

Roof panel (17) x 2	Roof panel (16) x 4	Roof panel (15) x 4	Roof gable cover (13) x 4	Roof gable cover (14) x 6
Roof panel (21) x 2	Roof panel (20) x 4	Roof panel (19) x 4	Screw (28) x 10	Screw (26) x 34

7.A

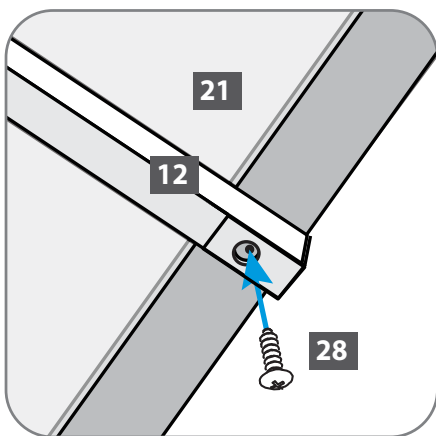
Slide roof panels (17,21) into their positions as shown.

VIEW FROM THE TOP

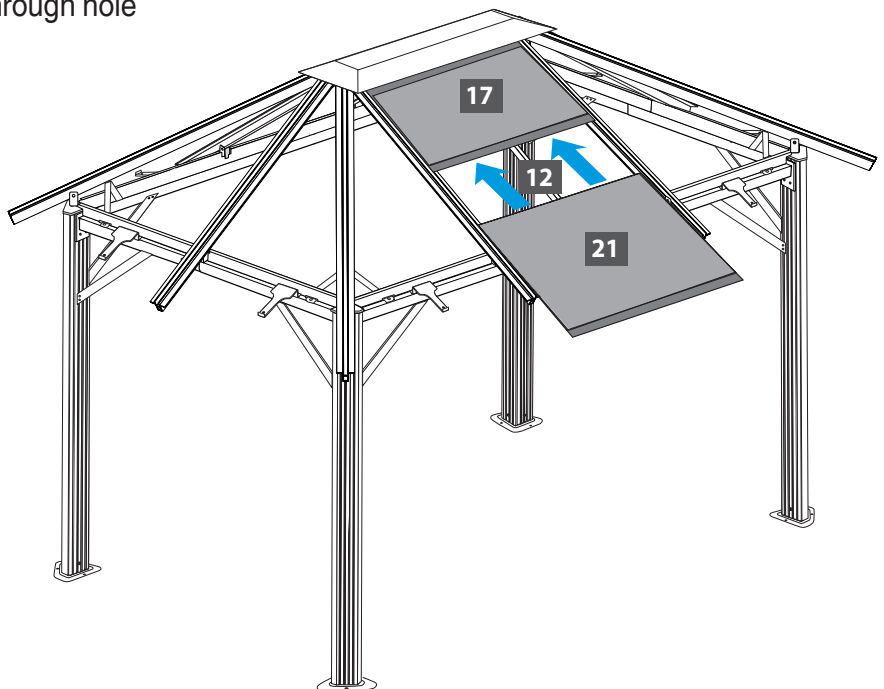


7.B

Secure roof panel (21) to roof support profile (12) from below, using screw (28) through hole in underside of profile (12).



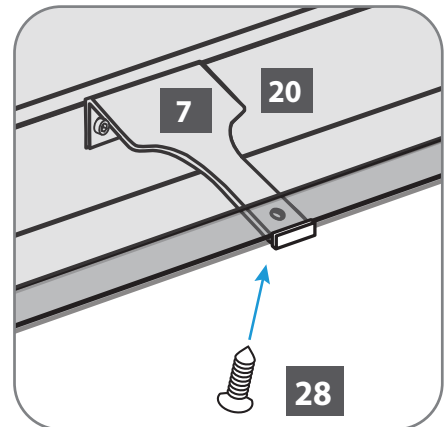
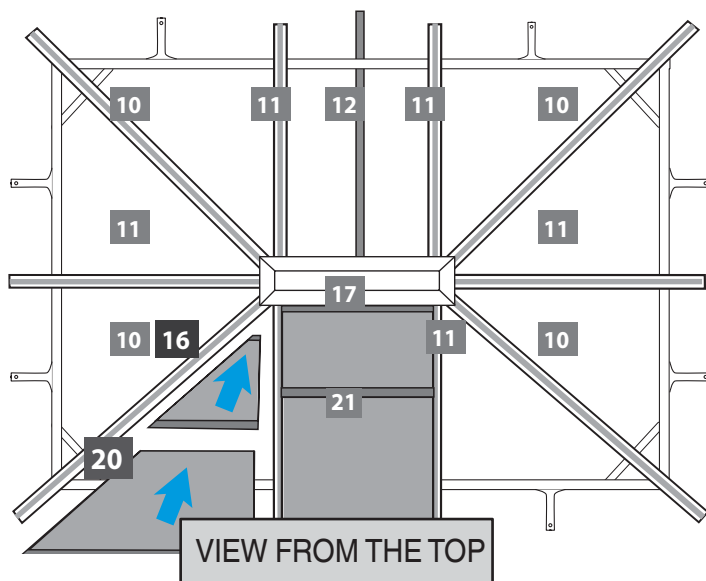
VIEW FROM BELOW
(from underside of roof)



7.C

Slide roof panel set (16,20) into position as shown.

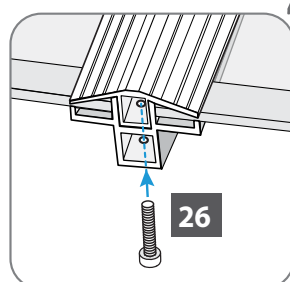
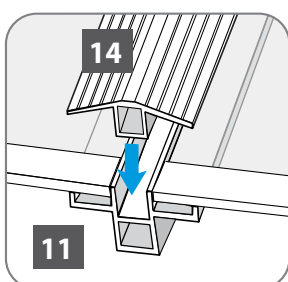
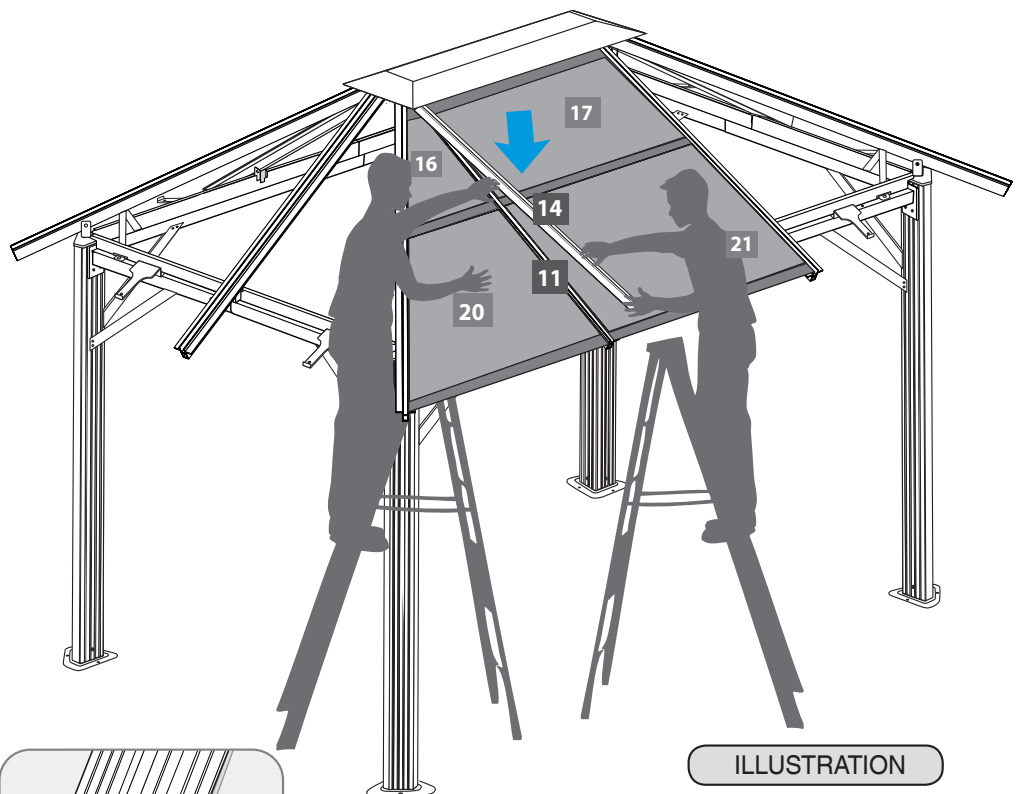
Fasten roof panels (16,20) to connectors (7) from below with screws (28).



7.D

Place roof gable profile (14) on top of roof gable profile (11). Align both profiles.

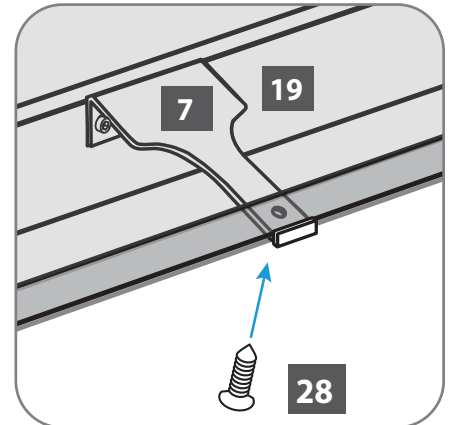
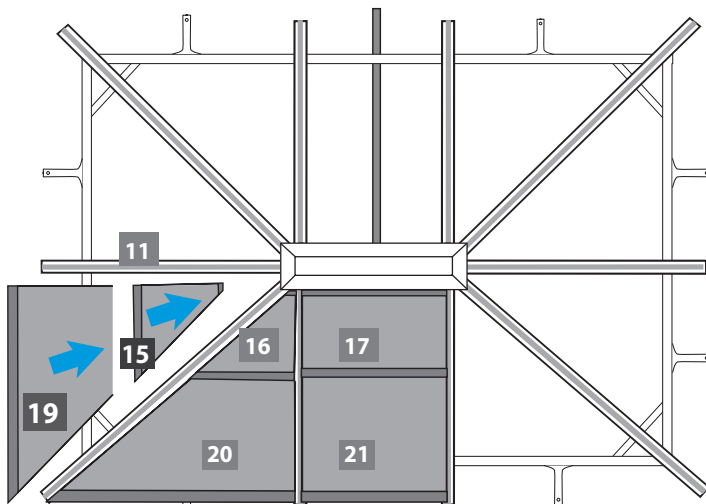
From below the gazebo roof, fix roof gable cover (14) to roof gable profile (11) using 3 screws (26) to tighten up gable cover (14) with gable profile (11) - upper/ mid/ lower position.



7.E

Slide roof panel set (15,19) into position as shown.

Fasten roof panels (15,19) to connectors (7) from below with screws (28).



VIEW FROM THE TOP

7.F

Place roof gable profile (13) on top of roof gable profile (10).

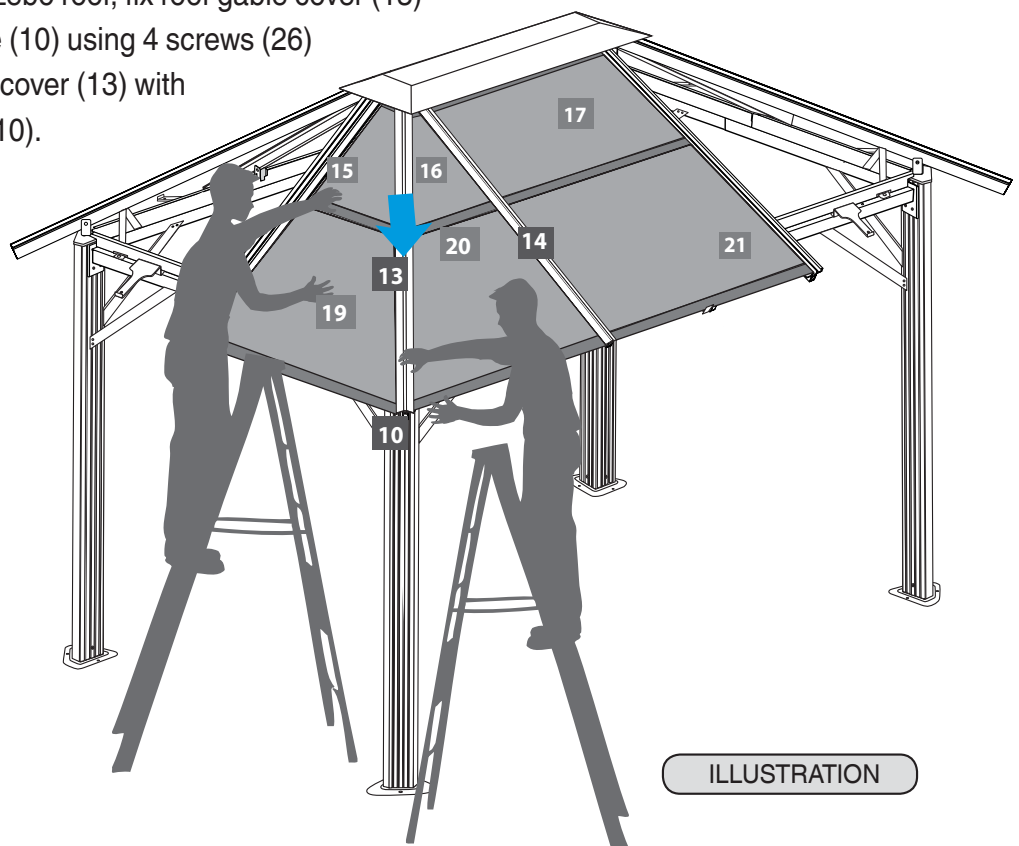
Align both profiles.

From below the gazebo roof, fix roof gable cover (13)

to roof gable profile (10) using 4 screws (26)

to tighten up gable cover (13) with

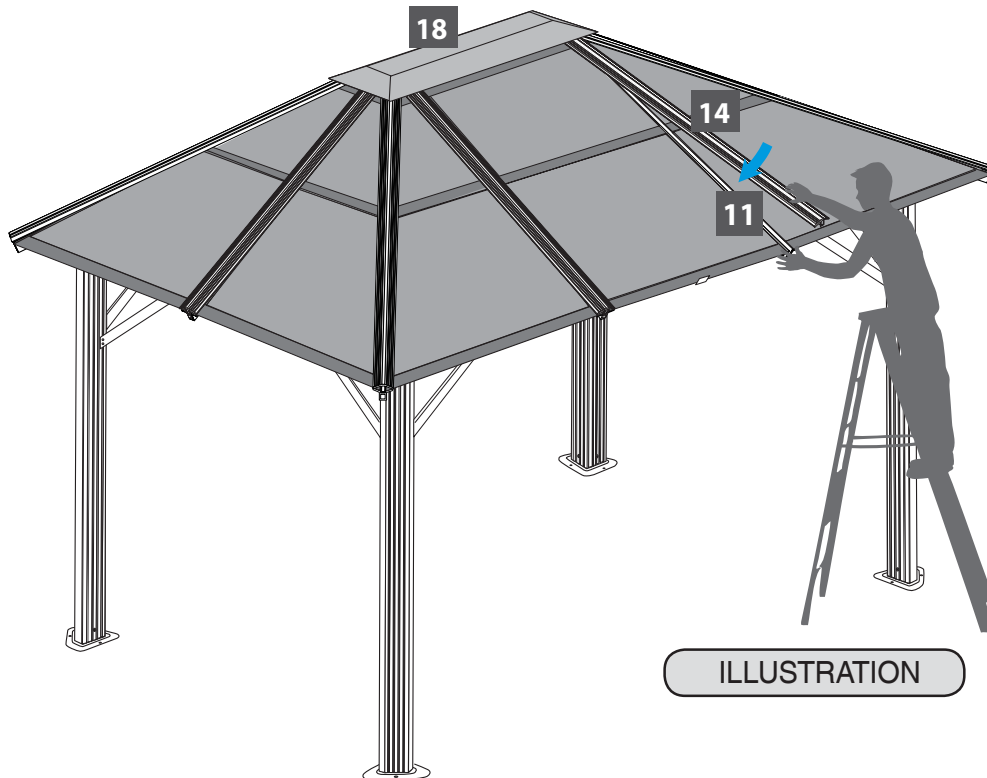
long gable profile (10).



Continue in a clock-wise direction
all around the gazebo roof.

7.G

Slide upper end of last profile (14) under roof top plate (18) as shown and lower the profile to fit into roof gable profile (11).



From below the gazebo roof, fix roof gable cover (14) to roof gable profile (11) using screws (26) through pre-drilled screw holes at mid point and end of profile.

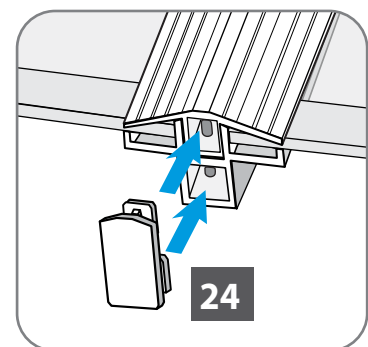
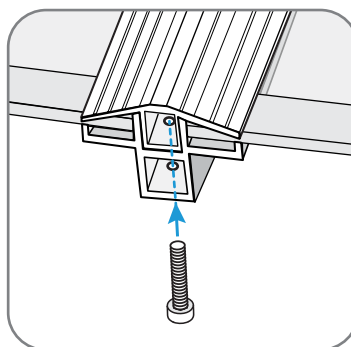
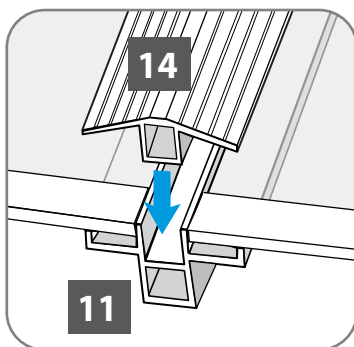
7.H

Close each assembly with end covers (24).

Components



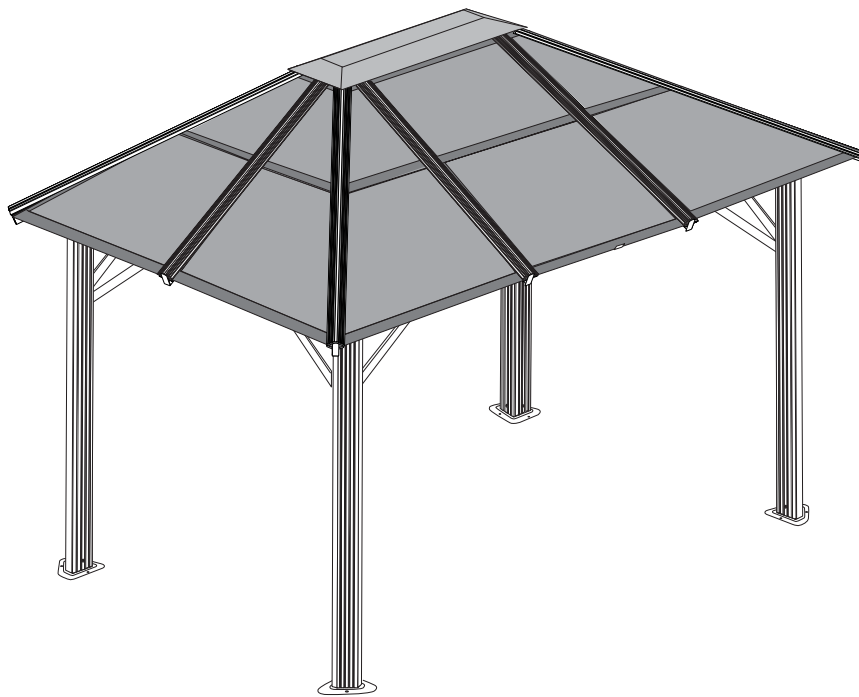
End Cover
(24)
x 10



Gazebo GZ3584

Aluminum Composite Roof Panels

Assembly Instructions



Enjoy your completed Gazebo!

WARRANTY:

Warranty covers damage due to manufacturing defects only. Warranty does not cover weather inflicted damage (Force Majeure) and/or damages caused by not following assembly instructions and adhering to warnings in manual.

ATTENTION: Roof profiles, roof panels and gables must be aligned properly during assembly to minimize any possibility of leaking.