

Features

- Low stepover height allows easy entry and exit.
- Integral lumbar support.
- Textured bottom surface.
- Integral apron creates a clean, finished look.
- Coordinates with other products in the Elmbrook™ collection.

Material

- Acrylic.

Installation

- Alcove.
- Integral flange.
- Left drain.



Codes/Standards

CSA B45.5/IAPMO Z124
ASTM E162
ASTM E662


KOHLER® Plastic Baths and Receptors Lifetime Limited Warranty

See website for detailed warranty information.

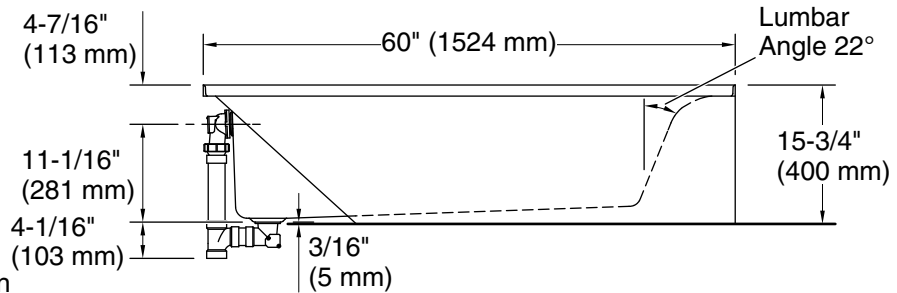
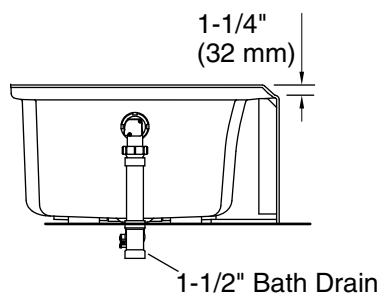
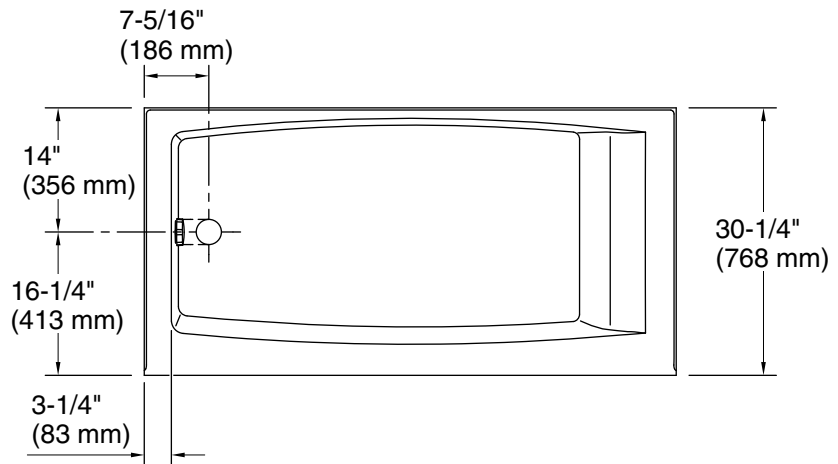
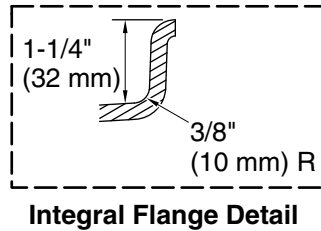
Available Colors/Finishes

Color tiles intended for reference only.

Color	Code	Description
-------	------	-------------

	0	White
--	---	-------

No change in measurements if connected with drain illustrated. (K-7213)



Technical Information

All product dimensions are nominal.

Installation:	Three-wall alcove
Drain location:	Left
Weight:	75 lbs (34 kg)
Minimum floor load:	36 lbs/ft ² (175.8 kg/m ²)
Water depth:	9" (229 mm)
Water capacity:	42 gal (159 L)
Minimum flat for door:	2-7/8" (73 mm)

Notes

Measure your actual product for rough-in details. Install this product according to the installation instructions.

The hot water supply should be 70% of the capacity of the bath or greater. Installations will vary.