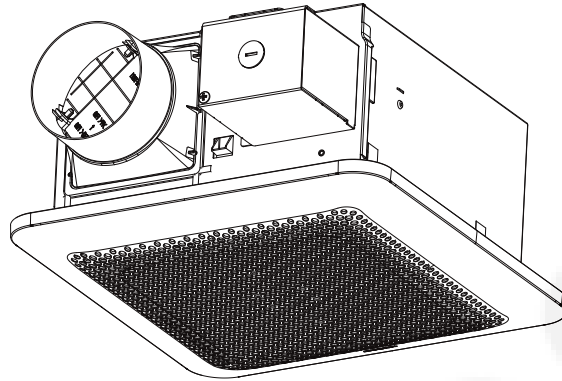


# Service Manual

Ventilating Fan  
(North America Market)



RG-R811HA

## ⚠ WARNING

This service information is designed for experienced repair technicians only and is not designed for use by the general public. It does not contain warnings or cautions to advise non-technical individuals of potential dangers in attempting to service a product. Products powered by electricity should be serviced or repaired only by experienced professional technicians. Any attempt to service or repair the product or products dealt with in this service information by anyone else could result in serious injury or death.

## IMPORTANT SAFETY NOTICE

There are special components used in this equipment which are important for safety. These parts are marked by ⚠ in the Schematic Diagrams, Exploded Views and Replacement Parts List. It is essential that these critical parts should be replaced with manufacturer's specified parts to prevent shock, fire or other hazards. Do not modify the original design without the manufacturer's approval. Please have a static electricity depletion process in place before handling these components.. Please use gloves when handling PCB parts during the repair process..

CONTENTS	PAGE
1.Specification.....	1
2.Parts Identification.....	2 ~ 4
3.Wiring Diagram.....	5
4.Parts List.....	6

# 1. Specification

---

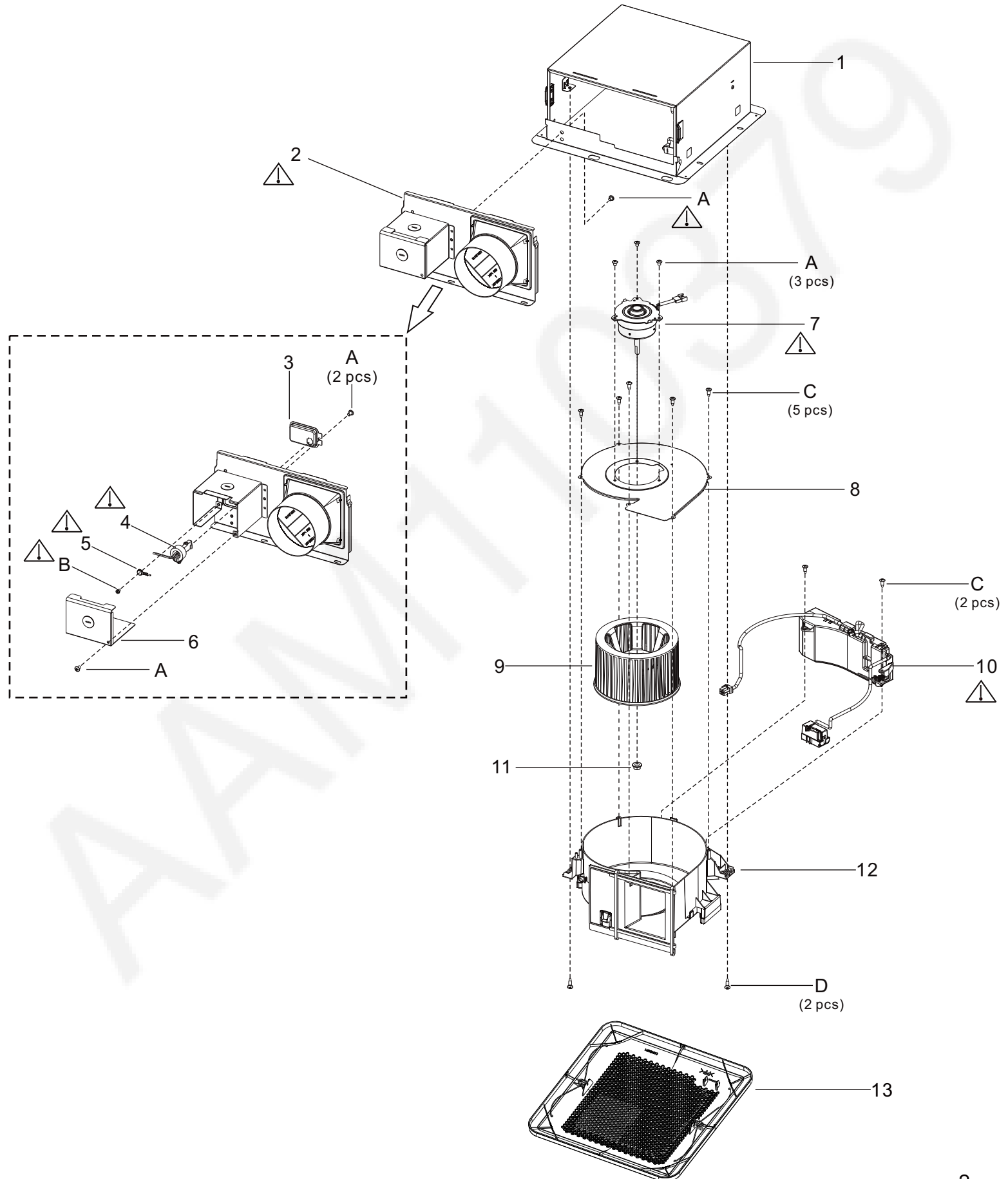
Model No.	Air direction	Voltage (V)	Frequency (Hz)	Duct diameter (inches)	Air volume at 0.1" WG (CFM)	Noise (sones)	Speed (rpm)	Power (W)	Weight lb. (kg)
RG-R811HA	Exhaust	120	60	4	80	0.4	905	7.1	9.5(4.3)
					110	1.1	1043	11.6	

HVI Certified performance based on HVI Procedures 915, 916, and 920.

# 2. Parts Identification

RG-R811HA

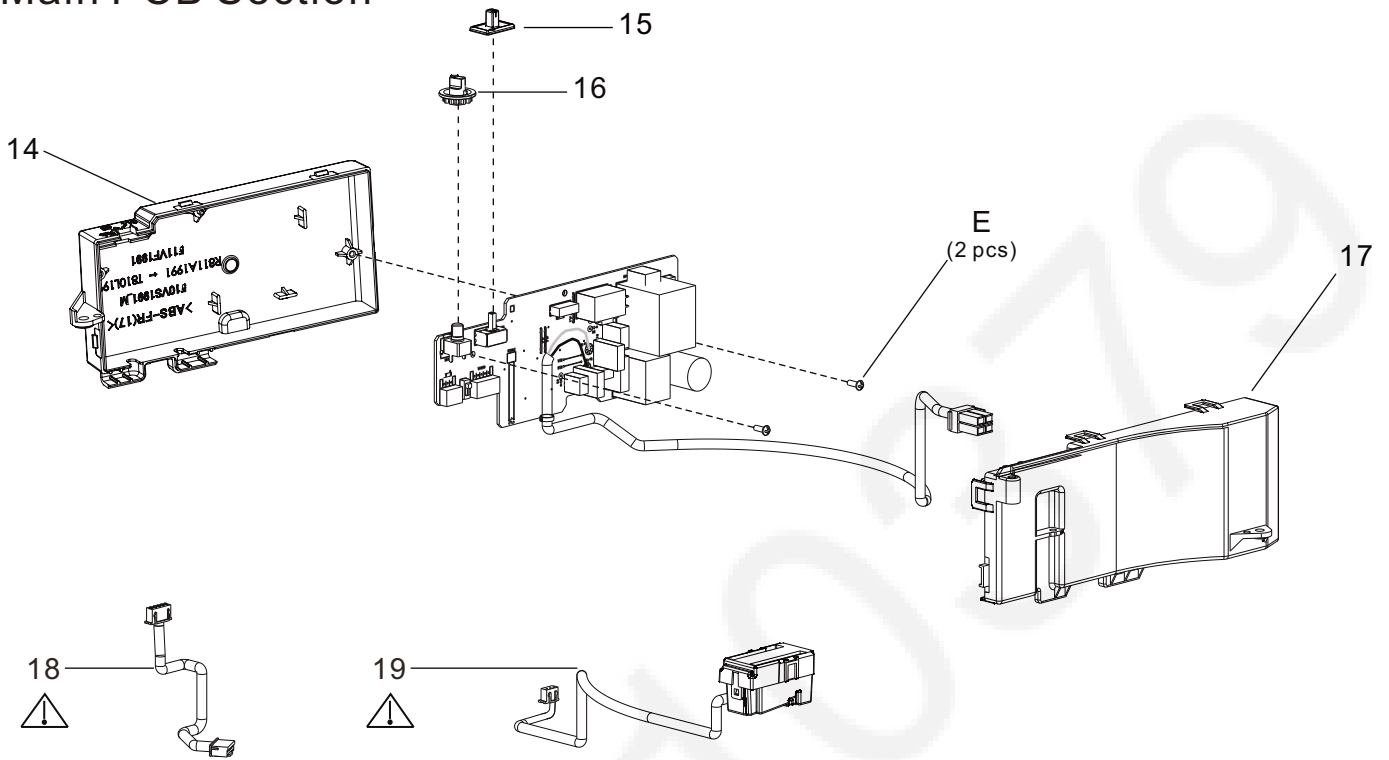
## Main Body Section



# 2.Parts Identification

RG-R811HA

## Main PCB Section



## Main Label

Secure screw tightly for ground continuity

20

21



22

23

Panasonic		Ventilating Fan			
Model No. RG-R811HA		(M)			
AC 120 V 60 Hz 0.29 A		Lot No.			
	SP	CFM	Sones	CFM	Sones
4" Duct	0.1"	110	1.1	80	0.4
3" Duct	0.1"	110	1.5	80	0.7
Panasonic Corporation of North America Assembled in Mexico					

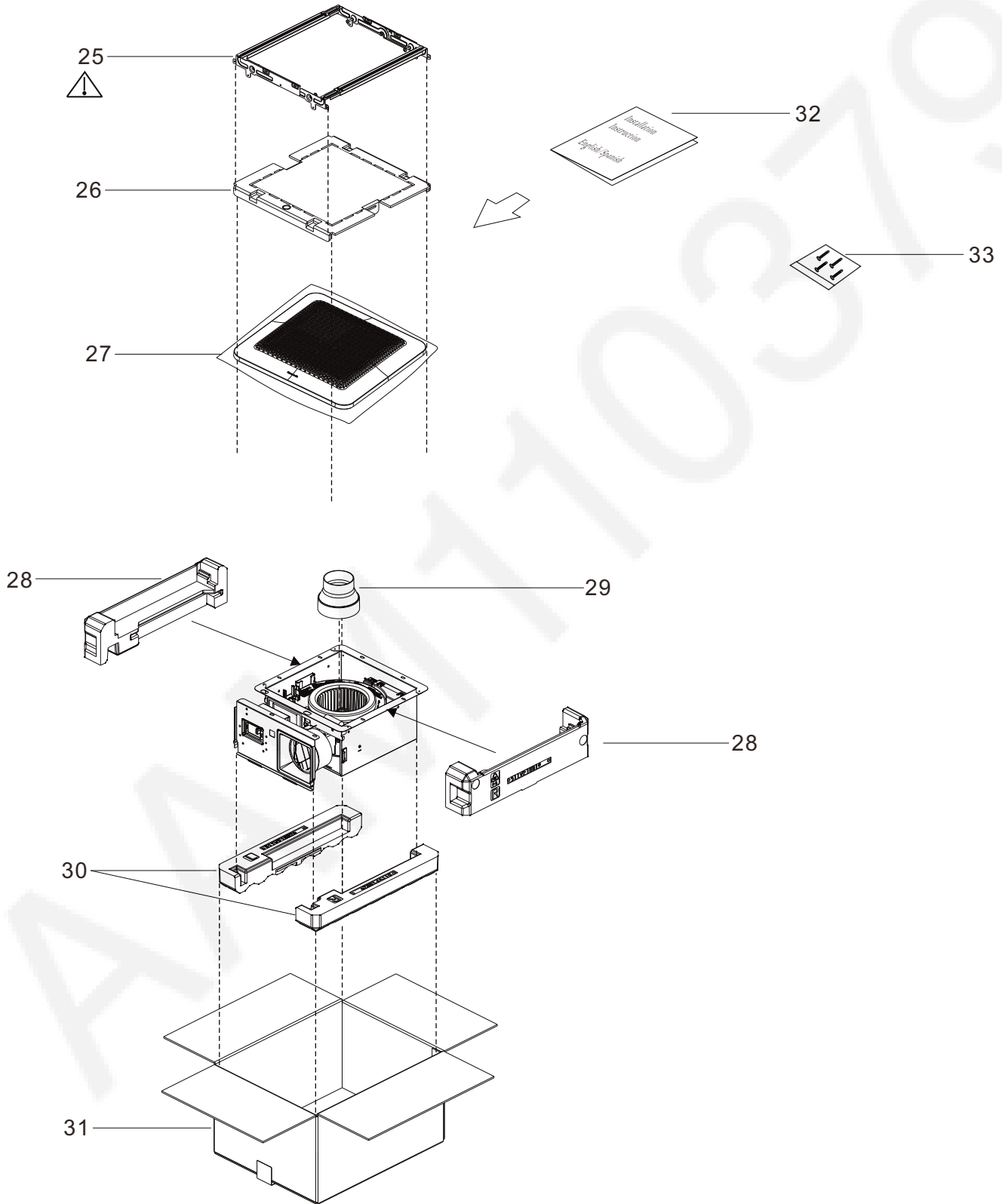


24

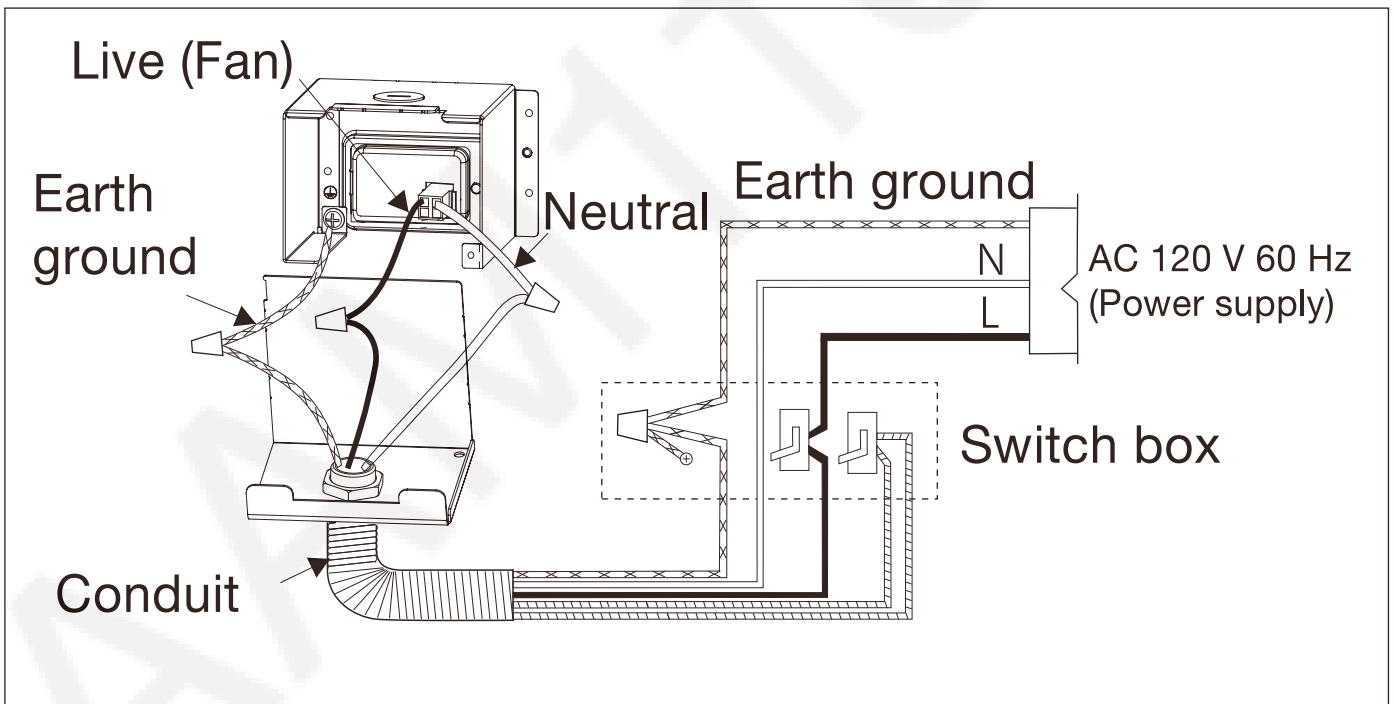
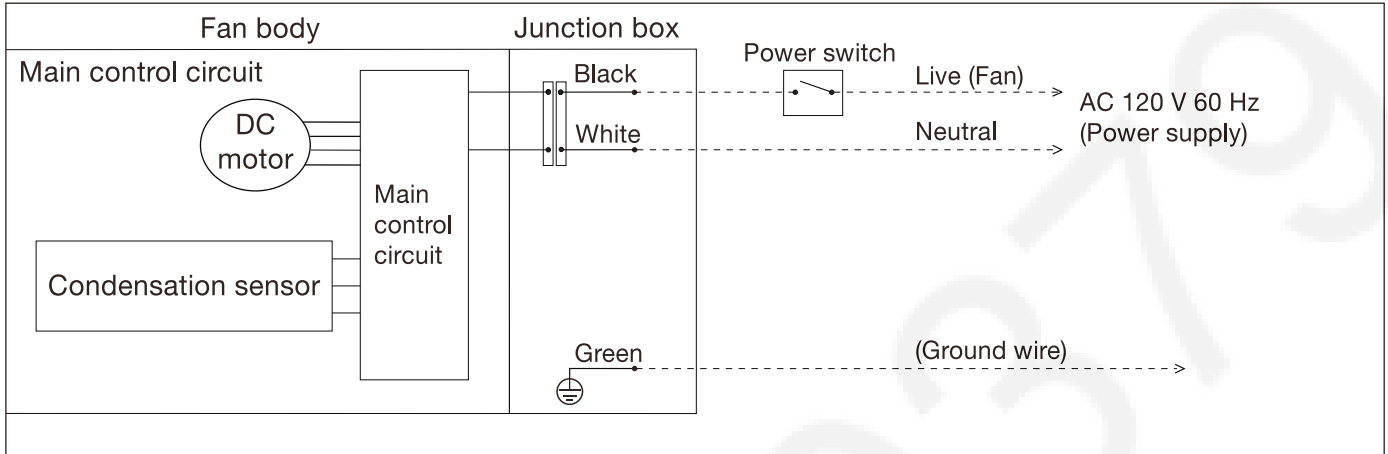
## 2. Parts Identification

RG-R811HA

### Packing Section










# 3. Wiring Diagram





## 4. Parts List

RG-R811HA

### Main Body Section

No.	Part No.	Part Name	Q'ty	Remark
1	FFVR811LH900	Frame Assembly	1	
2	FFV511VF1910	Adapter Assembly	1	
3	FFV0900052S	Connector Plate	1	
4	FFV511FC1301	Connector Assy (V)	1	
5	FFV3450010S	Earth Lead wire	1	
6	FFV2800027S	Junction Cover	1	
7	FFV511VF1M2	Motor	1	
8	FFV511VF1904	Motor Support	1	
9	FFV511VF1802	Blade	1	
10	FFVR811HAPCB	Main PCB Section	1	
11	FFV7020021S	Nut	1	
12	FFV511VF1906	Casing section	1	
13	FFV1315A810	Grill Assembly	1	
A	FFVXTT4-8FFJ	Screw (ST4-8)	7	
B	FFVXYM4DC8BN	Screw w/washer(M4-8)	1	
C	FFV7000089S	Screw (ST4-12)	7	
D	FFV7000065S	Bind Screw	2	


### Main PCB Section

No.	Part No.	Part Name	Q'ty	Remark
14	FFV811LH996	Main PCB Box	1	
15	FFV510VS1M9	Speed Switch	1	
16	FFV510SCL99	Rotation Switch	1	
17	FFV510SCL97	Main PCB Cover	1	
18	FFV511VF1321	Motor Lead Wire	1	
19	FFV511FC1625	Sensor Wire	1	
E	FFVXTN268GFJ	Screw	2	

### Main Label

No.	Part No.	Part Name	Q'ty	Remark
20	FFV811LH152	Instruction Label	1	
21	FFV0810011S	Caution Label 1	1	
22	FFV2260003S	Holograph label	1	
23	FFV811H1050	Name Plate	1	
24	FFV811LH013	Switch Label	1	

### Packing Section

No.	Part No.	Part Name	Q'ty	Remark
25	FFV11QCL1920	Hanger Assembly	1	
26	FFV511VF1450	Louver Pad Assembly	1	
27	FFV4650016S	PolyCover with Print	1	
28	FFV511VF1891	Top Pad	1	
29	FFV511VF1922	Adapter Connector	1	
30	FFV511VF1892	Bottom Pad	1	
31	FFV811H1400A	Packing Case Assy	1	
32	FFVR811H1420	Installation Inst (ES)	1	
33	FFV11KSL1M031A	Accessory A	1	