



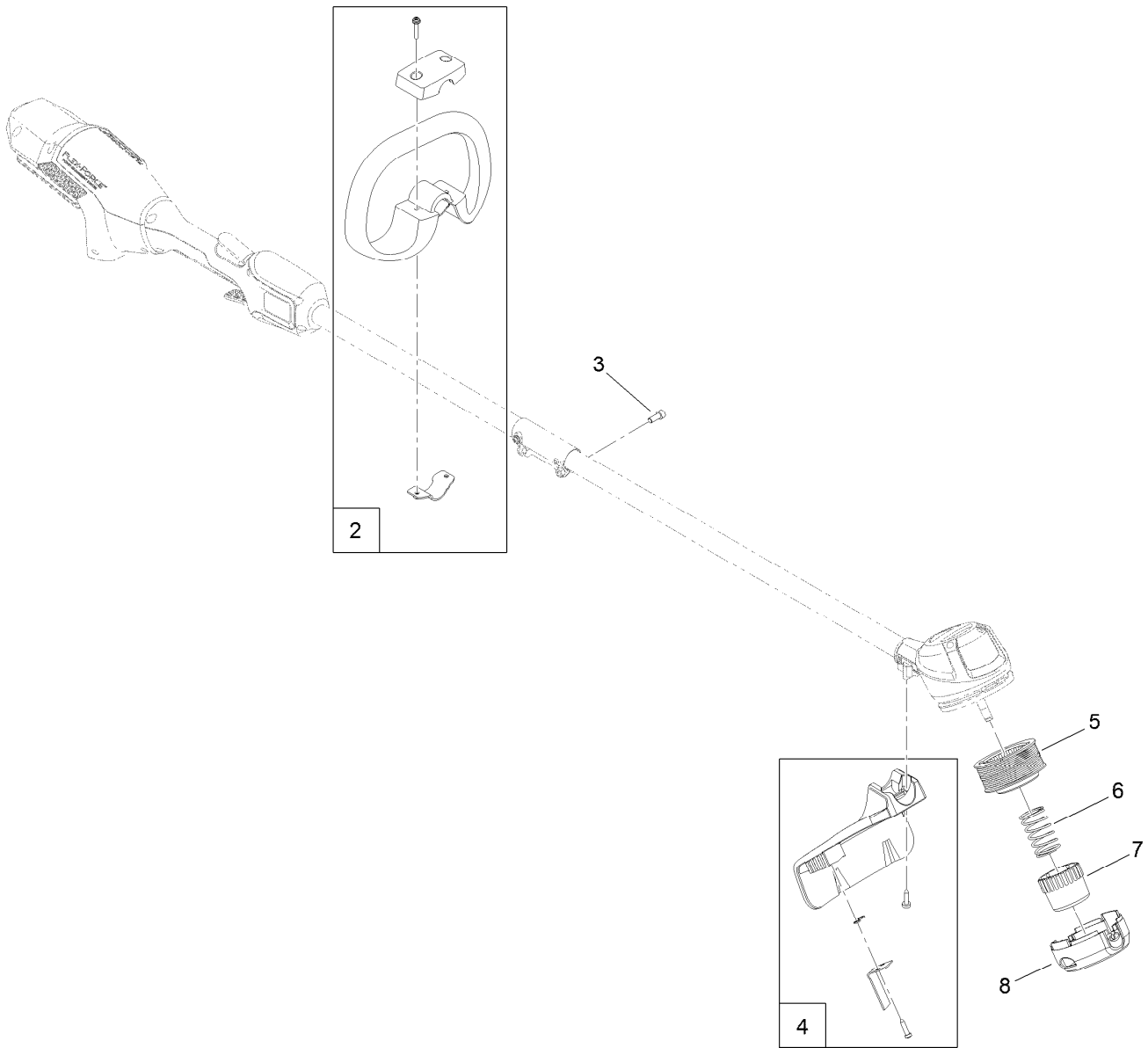
Count on it.

Parts Catalog

Flex-Force Power System™
13in or 15in 60V MAX String Trimmer

Model No. 51831T—Serial No. 321000001 and Up





Cordless 60V MAX String Trimmer Assembly

<i>Ref.</i>	<i>Part Number</i>	<i>Qty.</i>	<i>Description</i>
2	144-4103	1	Handle-Trimmer
3	144-4107	1	Screw-Coupler, Shaft
4	144-4102	1	Shield-Grass
5	88615	1	Line-Trimmer
6	144-4106	1	Spring-Feed, Bump
7	144-4105	1	Button-Feed, Bump
8	144-4104	1	Cover-Spool

Attachments and Accessories

For 51831T Flex-Force Power System 13in or 15in 60V MAX String Trimmer

Product Name	Model/Part
60V Battery Charger 1 AMP	88610
60V 2.0 AH Battery	88620
60V LI-ION Battery 2.5 AH.....	88625
60V Rapid Battery Charger 5.4 AMP	88605
Trimmer Line (1 Spool)	88615
Trimmer Line (3 Spool)	88616
60V LI-ION, Battery 4.0 AH	88640
60V LI-ION Battery 6.0 AH.....	88660
60V LI-ION Battery 7.5 AH.....	88675
60V Battery Charger 2 AMP	88602



Count on it.