

This Beckett DP Series centrifugal pump is magnetically driven and contains no seals to leak or wear out. It also contains no oil as other types of submersible utility pumps do, thereby eliminating the possibility of oil leaks which can foul your water. All electrical parts and connections are completely encapsulated with epoxy. These features, combined with very low energy consumption, make for a safe and convenient pump which is economical to operate. In addition, it is essentially maintenance-free.

Use: The Beckett DP Series pump is designed to operate completely submerged. Cleaning of the filter can be reduced by placing the pump on a brick or patio stone in the water to raise it above the level of the debris which accumulates on the bottom.

Prefilter: Prefilters are supplied with the pump. Using and maintaining clean prefilters will greatly decrease maintenance in cleaning the impeller assembly as well as providing better water filtration and pump flow. See Page 2 - Prefilter Cleaning.

Service and Maintenance: The only serviceable part is the impeller assembly. It can be cleaned and inspected by removing the screws holding the volute housing in place and lifting out the housing and impeller assembly. See Page 3 for diagram. Never attempt to disassemble the impeller assembly. If it becomes worn or broken, simply replace the entire assembly. If the pump is taken out of service for a period of time (such as during winter), flush the pump out with clean fresh water and drain thoroughly before storing. Ensure that the cord is protected from wear and abrasion.

NEVER ATTEMPT TO REPLACE OR SHORTEN THE CORD!

SAFETY WARNING: **1. RISK OF ELECTRIC SHOCK -** This pump is supplied with a grounding conductor and a grounding-type attachment plug (3-prong plug). To reduce the risk of electric shock, be certain that it is connected only to a properly grounded, grounding-type receptacle. Do not remove the grounding pin.

2. RISK OF SEVERE ELECTRIC SHOCK - Connect only to a grounded receptacle protected by a ground-fault circuit-interrupter (GFCI). A GFCI must be provided in accordance with Section 680-51 of the national electric code. Contact a qualified electrician if you cannot verify that the receptacle is protected by the GFCI.

3. TO REDUCE THE RISK OF ELECTRICAL SHOCK:
 A. Never use an extension cord to connect unit to electrical supply; provide a properly located GFCI outlet.
 B. Never bury the 3-prong plug of the cord, it is not waterproof and severe electric shock will occur.

CAUTION: 1. This pump has been evaluated for use with water only.
 2. Disconnect pump from power source before handling, servicing or working in the water in which the pump is operating.

Note: Your Beckett DP Series pump is cooled and lubricated with water. If the pump is plugged in while it is out of the water, it is normal for it to rattle. However, while it will continue to operate if allowed to run dry, it will sustain permanent heat damage after 30 minutes. Your Beckett DP Series pump is intended to pump fresh water only. Do not use to pump oils, solvents, fuels, or salt water. Do not allow to freeze.

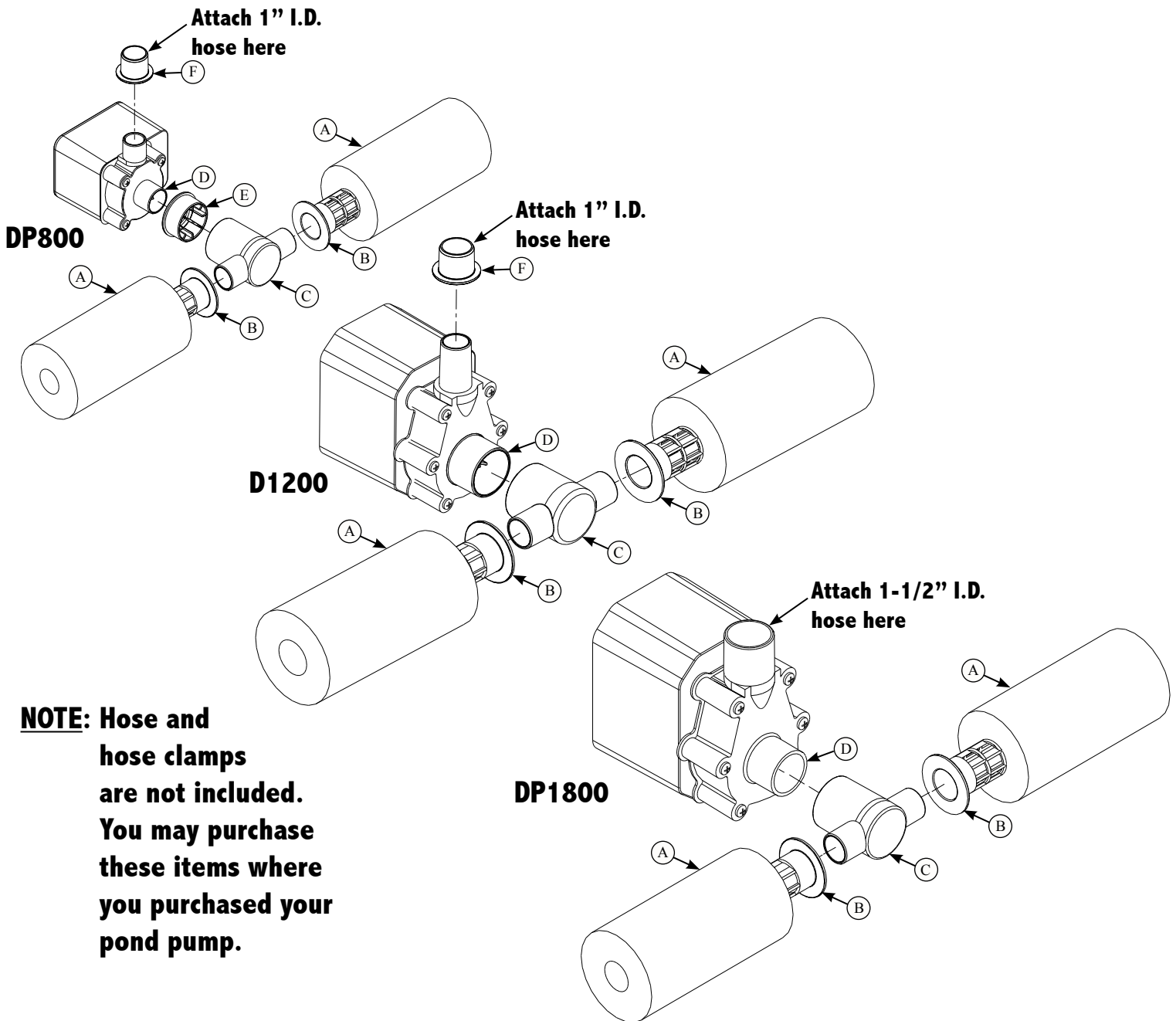
PUMP MODEL #	VOLTS	Hz	AMPS	WATTS	MAX. HEAD	APPROXIMATE PUMP FLOW (GPH @ HEAD) USING 1" ID HOSE ON DP800 & DP1200 and a 1-1/2" ID HOSE ON DP1800			
						0'	1'	3'	5'
DP800	115	60	.90	70	12'-9"	900	814	652	512
DP1200	115	60	2.2	150	14'-8"	1350	1232	962	740
DP1800	115	60	2.2	230	16'-4"	1875	1764	1475	1267

PUMP MODEL NUMBER AND INFO LOCATED ON PUMP BACKPLATE NEAR POWER CORD

2

Assembly and Operation Instructions:

After carefully reading all the safety information and instructions, begin assembling your pump as shown below. Make sure both Intake Filters (A) are pushed all the way onto the Strainers (B). Next push them onto the T-Fitting (C). Now push the T-Fitting (C) onto the Pump Volute Intake (D) [On the DP800 model you must install T-Fitting Adaptor (E) into T-Fitting (C) before installing onto pump volute (D)] making sure the filters are parallel/flat with the Pump base. Next attach your hose for your water feature to the Pump Volute Outlet as shown below; on the DP800 and DP1200 you need to install the 1" Hose Adaptor (F) before installing hose.



NOTE: Hose and hose clamps are not included. You may purchase these items where you purchased your pond pump.

PUMP INSTALLATION: Place your pump into the pond making sure it is in a stable location. Lay out the power cord to your properly grounded receptacle protected by a ground-fault circuit-interrupter (GFCI). Plug in the power cord and check pump for proper operation. After you have everything working to your satisfaction, you can cover up/hide power cord. You may now enjoy your pond. You may want to review the versatility/add on accessories section of the instructions to familiarize yourself with what you can accomplish with your new pump system.

PREFILTER CLEANING: When you see a reduced flow from your pump, it is time to clean the filters. Turn off the power to the pump - remove the filters - wash the filters in clean water and reinstall on pump - turn the pump back on and check for proper operation. Having spare filters will make this task more convenient.

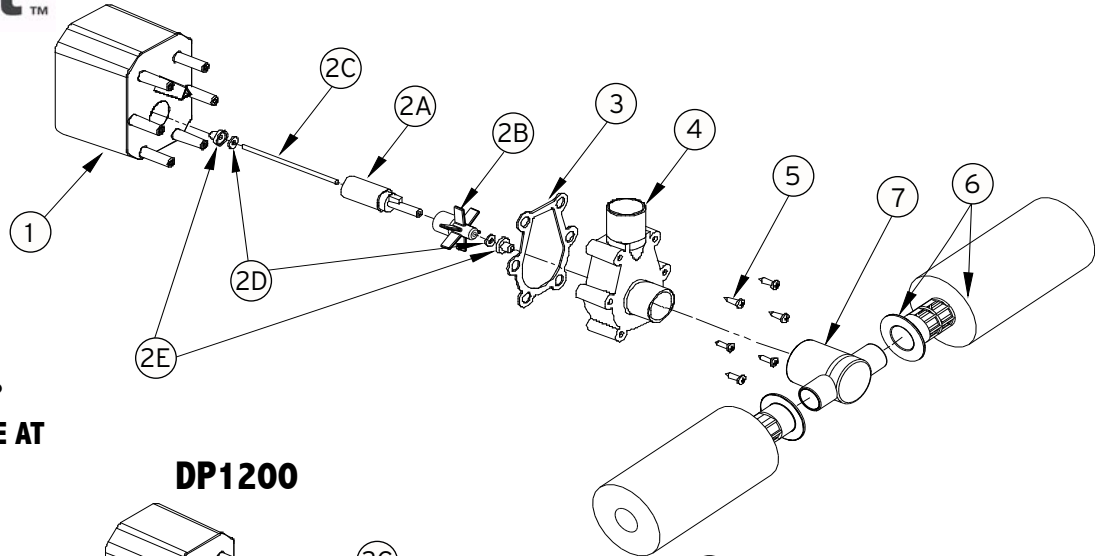
2

Should you encounter any problems or need replacement parts, contact the Customer Service Representative/Parts Department at 1-866-466-4319 from 8 AM to 5 PM Mon. thru Fri. EST. Extended operating days and hours during peak season requirements.

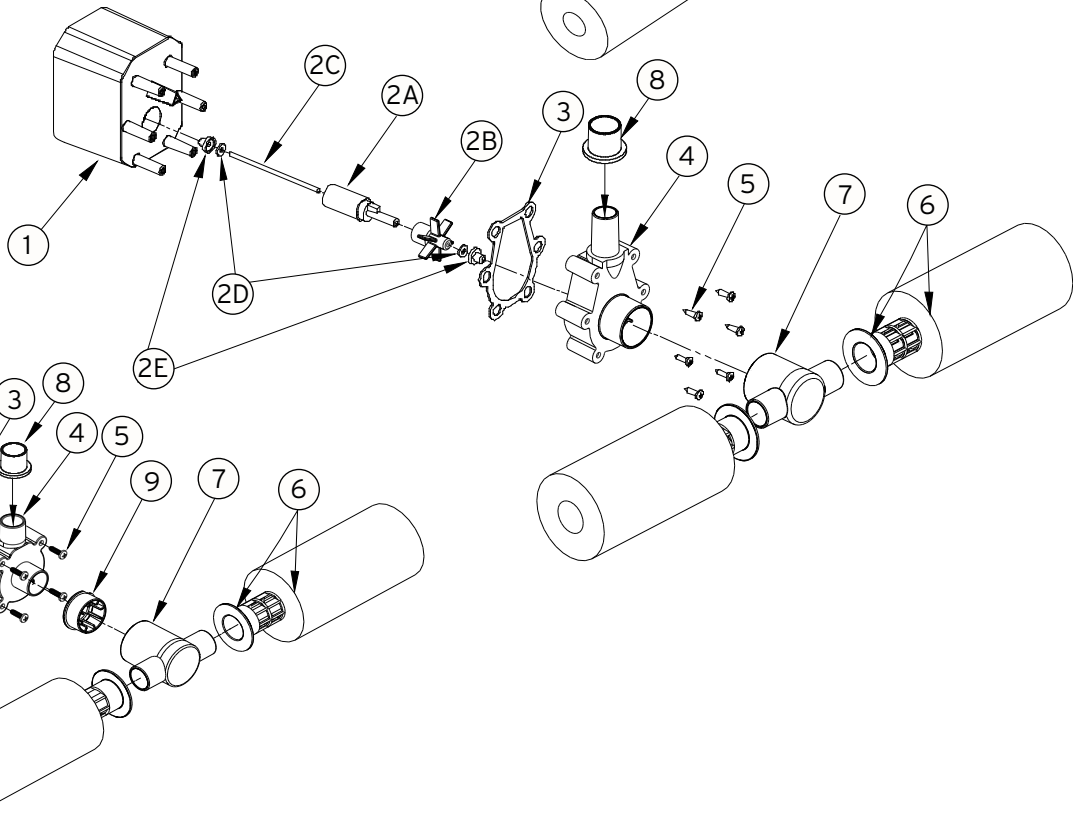
**DP SERIES
SUBMERSIBLE
PUMPS**

**HAVING TROUBLE?
NEED REPLACEMENT PARTS?
CONTACT CUSTOMER SERVICE AT
1-866-466-4319**

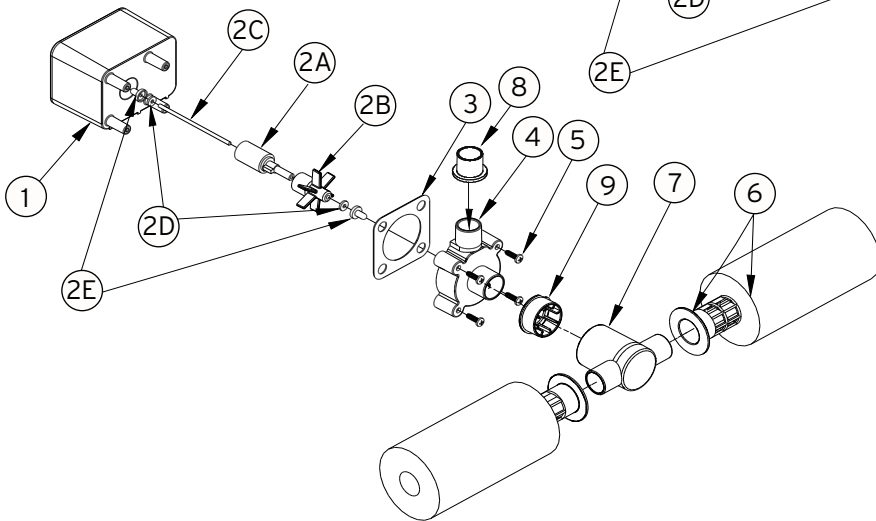
DP1800



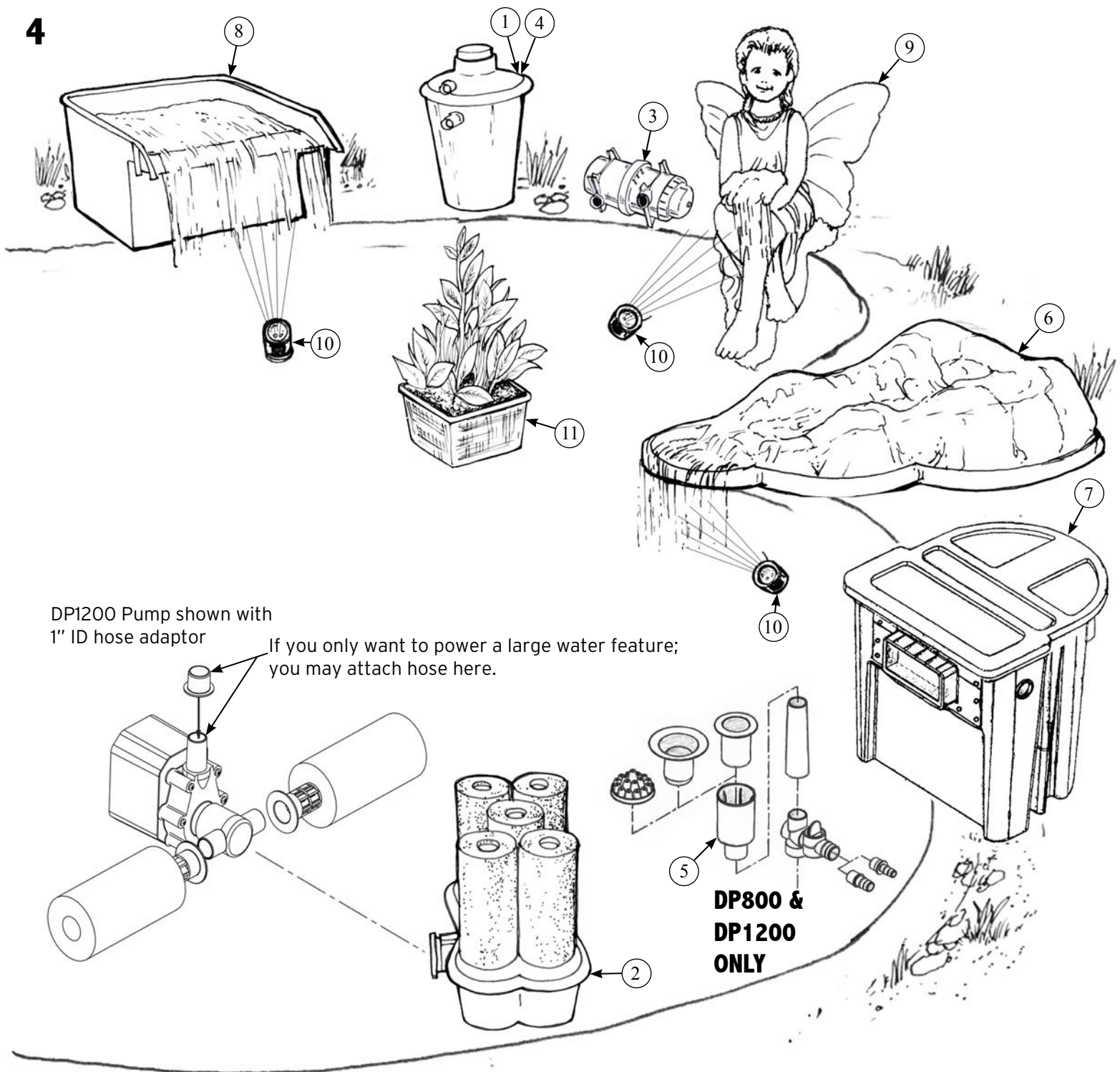
DP1200



DP800



KEY	DESCRIPTION	DP800 PART #	DP1200 PART #	DP1800 PART #	QTY NEEDED
1	PUMP BODY W/CORD	096-110095	096-050595	096-050596	1
2	ROTOR ASSEMBLY (INCLUDES A-E)	096-110094	096-110097	096-110099	1
2A	MAGNET AXLE	078-110272	078-110274	078-110278	1
2B	IMPELLER	078-110271	078-110275	078-110279	1
2C	SHAFT	090-070154	090-070160	090-070239	1
2D	THRUST WASHERS	090-040015	090-040021	090-040023	2
2E	END CAPS	078-110157	078-110079	078-110277	2
3	GASKET	078-110031	078-110078	078-110078	1
4	VOLUTE HOUSING	078-110005	078-110261	078-110260	1
5	PHILLIPS HEAD SCREWS	090-010063	090-010063	090-010063	4/6
6	INTAKE STRAINER ASSY	096-110009	096-110009	096-110009	2
7	T- FITTING	078-110276	078-110276	078-110276	1
8	1" ID HOSE ADAPTOR	078-110273	078-110273	NA	1
9	T-FITTING ADAPTOR	078-110306	NA	NA	1



*** SOME OF THE POSSIBLE ADD ON WATER FEATURES AND ACCESSORIES SHOWN ABOVE.**

1. Please refer to Pages 5 and 6, they provide you some information on the POND ACCESSORIES, WATER FEATURES, and POND ACCENT ACCESSORIES shown in the illustration above.
2. You will find some information there about each accessory, feature, and accent that describes its use, advantages it provides for you, and its benefits to your pond; as well as providing you options in setting up your pond, and adding features.
3. Hopefully we have provided you with a little information and knowledge you needed to get you started in enjoying your pond accessories, features, and accents.

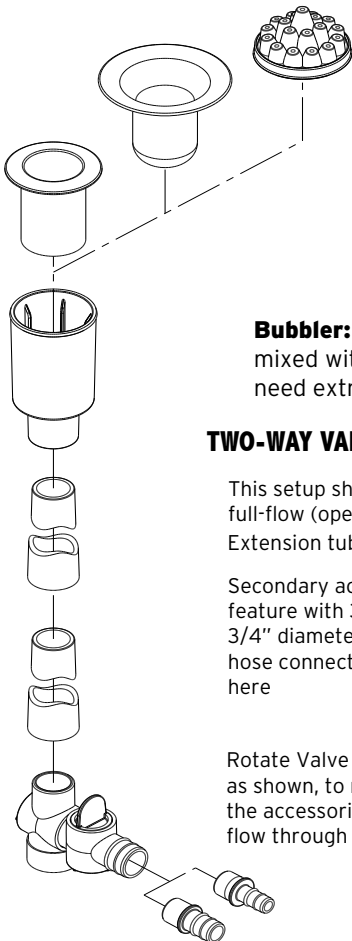
Should you encounter any problems or need replacement parts, contact the Customer Service Representative/Parts Department at 1-866-466-4319 from 8 AM to 5 PM Mon. thru Fri. EST. Extended operating days and hours during peak season requirements.

POND ACCESSORIES:

1. **BIO-FILTER, Inline Type:** Bio-Filters provide mechanical and biological pond filtration for a cleaner and healthier pond environment. They efficiently process waste and clarify the pond water as well as reducing ammonia, nitrates and nitrites in the pond by promoting rapid growth of beneficial bacteria. Bio-filters provide more efficient filtration of the pond water as compared to just a mechanical type filter. Bio-filters provide a clean, healthy pond ecosystem that is ideal for ponds with fish.
2. **PRE-BIO-FILTER, Pond Pump Intake:** This type of bio-filter attaches to the pond pump intake and offers the consumer these additional benefits over inline type bio-filter systems. A compact design that is completely submersible in the pond, greater filter surface area with easy to service filter material, superior ability to be camouflaged into the pond setting environment and does not offer the opportunity to leak water from the pond that inline types do because of hose connections and seals.
3. **UV CLARIFIER, Inline Type:** UV Clarifiers emit germicidal ultraviolet light thru the bulb to help clarify green water associated with free-floating algae as well as providing a healthier pond environment with increased water clarity. The UV light bulb and quartz sleeve eradicate single-celled algae, harmful microorganisms and other pond water contaminants.
4. **BIO-FILTER with UV CLARIFIER, Inline:** Provides the benefits of a bio-filter while also providing the additional benefits of a UV clarifier in a single package; see bio-filter and UV clarifier listed above for benefits.

WATER FEATURES:

5. **UNIVERSAL FOUNTAIN KIT:** This kit provides you a choice of three different fountain nozzle adaptors; a (Waterbell, Bubbler, and Spray Head) as well as allowing you to run a small to medium water feature at the same time from the two-way valve. The fountain kit is not only ornamentally enjoyable it is also beneficial in aeration, and for movement of the pond water creating a healthier plant and fish environment. Can be used with DP800 & DP1200 pumps only, you must remove the 1" hose adaptor before installing. Using the fountain kit with your DP800 or DP1200 pumps will still allow you to power a medium size water feature thru the two-way valve using 3/4" ID hose.



NOZZLE ADAPTOR INSTRUCTIONS:

Spray Head: Snaps on the fountain body - has 19 streams of water - use flow control to adjust height/size of spray - lower the spray height during windy conditions for better control of the spray.

Waterbell: Inserts into fountain body until it bottoms out then pull the waterbell up about 1/4" - moving waterbell deeper into fountain will make spray thinner- adjust the thickness of the waterbell spray by moving the water bell up and down in the fountain body - adjust the size/diameter of spray with the flow control - waterbell spray may be affected by windy conditions, adjust as necessary.

Bubbler: Inserts into the fountain body until the ribs bottom out - provides a tube of water mixed with air - use flow control to adjust height/size of spray - great for hot months when fish need extra oxygen due to increased water temperature.

TWO-WAY VALVE OPERATION INSTRUCTION:

This setup shows both of the valves in the full-flow (open) position
Extension tubes attach here

Secondary accessory/water feature with 3/8", 1/2" or 3/4" diameter vinyl hose connect here

Rotate Valve Insert clockwise, as shown, to restrict flow to the accessories, but maintain flow through the fountain

Rotate the Valve Body clockwise, as shown, to restrict flow to the fountain, but maintain flow through the accessories

Rotate both the Valve Body and the Valve Insert 90° clockwise to shut off flow to both the fountain and the accessories

6. **LARGE WATER COURSE/STREAM:** These are normally molded plastic and may be provided with a rock looking texture for a more natural look. Some of these are multi-leveled to add emphasis to the water flow. Installation is fairly simple and attach to your existing pond pump with a vinyl hose. Sizes vary from 12" to 48" in length and may be purchased in many different forms and shapes.
7. **SKIMMER SYSTEM:** A pond skimmer is an excellent addition to a pond, they keep ponds looking clean and keep debris off the water surface. When debris is allowed to stay on the surface it will eventually sink, decay and cause unwanted elements and gases in your pond of which can become hazardous and unsafe to your water plants and fish. Skimmers are often used together with a Water Fall placed at the opposite end of the pond to generate water circulation and good pond cleaning. Skimmers are usually buried to a set water surface level and attach to the pond liner so they require some knowledge and skills to install them properly.
8. **MEDIUM/LARGE WATER FALL:** These are normally molded plastic and come in different sizes and configurations. Consumers who install these also install skimmer filter systems. These are installed on liner type ponds and use a dedicated pond pump to power this type of water feature. These are more involved to install and blend into the pond environment. These systems require some knowledge and ability to install.
9. **LARGE FOUNTAIN ART:** Normally found as a cast resin figurine that attaches to your existing pond pump with a vinyl hose and provides a secondary water feature by returning water back into the pond as an accent type feature. These are larger than spitters and also provide an art type feature to your pond. These come in many varieties, forms and shapes which may be 12 to 18 inches tall.

POND ACCENT ACCESSORIES:

10. **POND LIGHTS:** Add interest, emphasis, dimension and depth to your pond and water features. Low voltage pond lights provide an enchanting nighttime gathering place at your pond by providing light to accent the water features, pond, plants, fish and the surrounding pond area.
11. **PLANT BASKETS:** Are inexpensive molded plastic baskets that are specifically designed for pond plants. They allow water and nutrients to pass thru while keeping the roots contained within the basket.

ATTENTION CUSTOMER: STATEMENT OF LIMITED WARRANTY

Beckett warrants to the original purchaser only, the "DP" series pond pump and accessories against defects in material and workmanship as follows:

- 1) Beckett warrants to the original purchaser, the "DP" series pond pump and accessories (Exception - does not include the rotor/impeller assembly or replaceable intake filter material - see Item 2 for warranty on these items) against defects in material and workmanship for 2 years from the date of purchase.
- 2) Beckett warrants to the original purchaser, the rotor/impeller assembly against defects in material and workmanship for 1 year from the date of purchase. There is no warranty on the replaceable intake filter material as this is considered an expendable item.
- 3) Original Purchaser must retain proof of such purchase in the form of a store sales receipt and must produce such upon request by customer service representative at 1-866-466-4319. Do not return product to place of purchase; contact Beckett customer service at 1-866-466-4319 and a knowledgeable customer service representative will assist you in resolving the problem and arrange replacement of the defective parts as needed.

If the product is found to have been consumer damaged or abused, it is not covered by the limited warranty. If this is the case, you will be advised of the cost of replacement part(s), or the need to return damaged part(s) for warranty replacement. Altering the power cord or plug will void any warranty considerations. Damage or injuries resulting from negligence, misuse or failure to follow the safety instructions of this product are not covered by warranty.