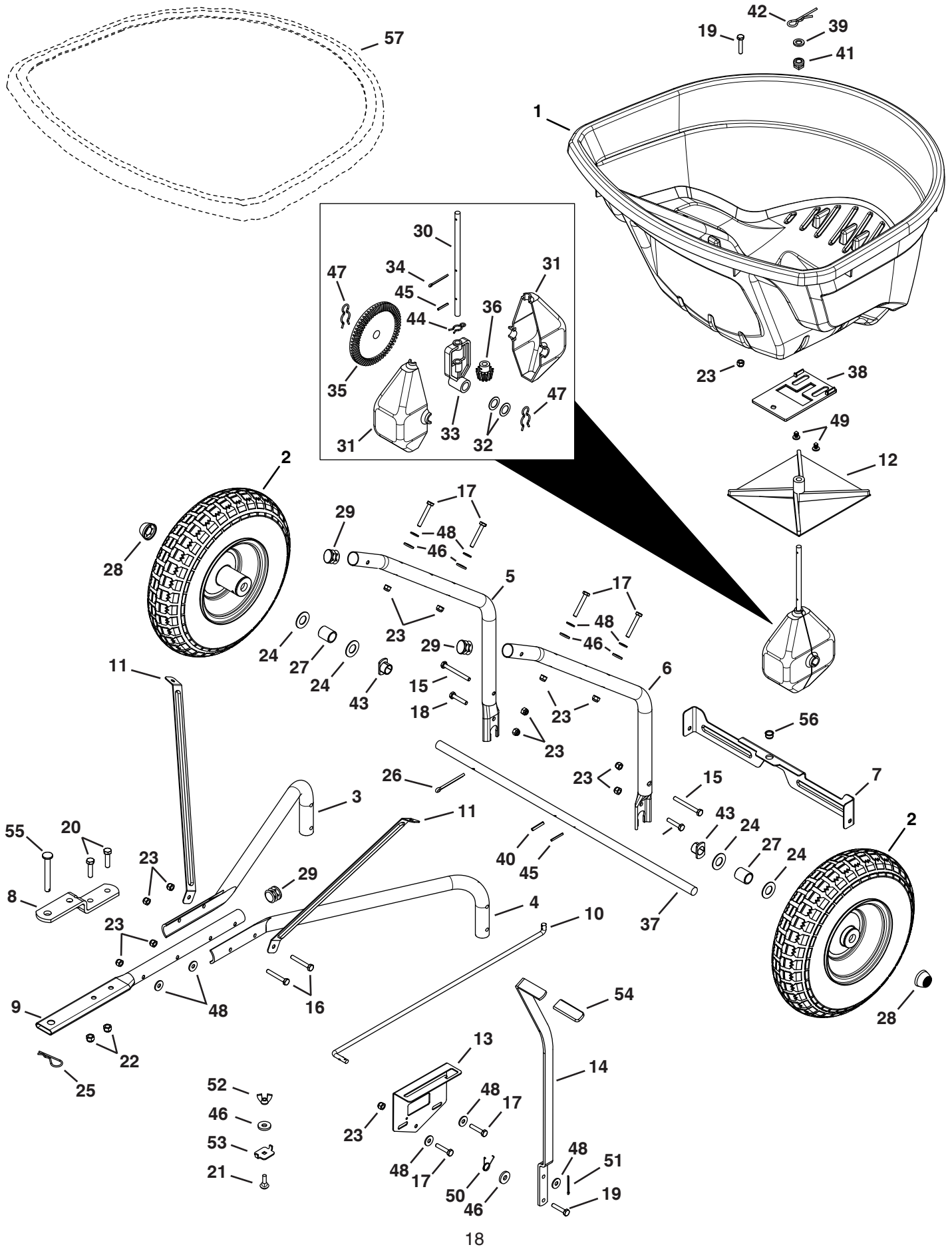


REPAIR PARTS FOR 45-04631 130 LB. TOW SPREADER



REPAIR PARTS FOR 45-04631 130 LB. TOW SPREADER

REF	QTY	PART NO	DESCRIPTION	REF	QTY	PART NO	DESCRIPTION
1	1	41084	Hopper	30	1	26711	Shaft, Spreader
2	2	40880	Wheel	31	2	47212	Housing, Large Gear
3	1	42008	Tube, RH Hitch Support	32	2	44125	Washer, .625 x 1.0 x .03
4	1	42009	Tube, LH Hitch Support	33	1	47204	Yoke, Large
5	1	42311	Tube, Hopper Support LH	34	1	43093	Cotter Pin, 1/8 x 1-1/2
6	1	42312	Tube, Hopper Support RH	35	1	47209	Gear, Large (Cast)
7	1	27313	Cross Brace	36	1	47205	Gear, Small (Cast)
8	1	23687	Bracket, Hitch	37	1	26710	Axle
9	1	41937	Tube, Hitch	38	1	42304	Plate, Flow
10	1	41930	Rod, Flow Control	39	1	23625	Spacer
11	2	27312	Brace, Hopper	40	1	43659	Pin, Spring, 3/16 x 1
12	1	04367	Spreader Impeller	41	1	44285	Bushing, Hopper Bottom Black
13	1	27322	Bracket, Flow Control Mount	42	1	48934	Hairpin, Agitator
14	1	27314	Arm, Flow Control	43	2	40315	Bearing, Flat Sided Flange
15	2	49870	Bolt, Hex 1/4-20 x 2-1/2	44	1	49898	Clip, Hairpin 5/8
16	2	46699	Bolt, Hex 1/4-20 x 2	45	2	46055	Pin, Spring 1/8 x 1
17	6	1509-69	Bolt, Hex 1/4-20 x 1-3/4	46	6	1543-69	Washer, Nylon .3281 x .75
18	2	43648	Bolt, Hex 1/4-20 x 1-1/2	47	2	49897	Clip, Hairpin 7/8
19	2	43661	Bolt, Hex 1/4-20 x 1	48	9	43088	Washer, 1/4 Std .312 x .734
20	2	43840	Bolt, Hex 5/16-18 x 1-1/4	49	2	48402	Plug, 1/4"
21	1	44950	Bolt, Carriage 1/4-20 x 3/4	50	1	42347	Spring, Torsion
22	2	47810	Nut, Hex 5/16-18 Nylock	51	1	44101	Pin, Cotter 3/32 X 3/4
23	14	47189	Nut, Hex 1/4-20 Nylock	52	1	47141	Nut, Wing 1/4-20
24	4	R19212016	Washer, .6562 x 1.25 x .0598	53	1	24858	Stop, Adjustable
25	1	43343	Pin, Hair Cotter 3/32 x 2-5/16	54	1	43848	Grip
26	1	46855	Pin, Cotter 3/16 x 2	55	1	47623	Pin, Hitch 3/8" x 3" Flat Hd
27	2	48857	Spacer, .64 ID x .84 OD x 1.00	56	1	741-0475	Bushing, 3/8" Plastic
28	2	48499B	Hub Cap	57	1	41316	Vinyl Cover (optional)
29	3	49449	Plug, 1" Tube		1	42313	Owners Manual