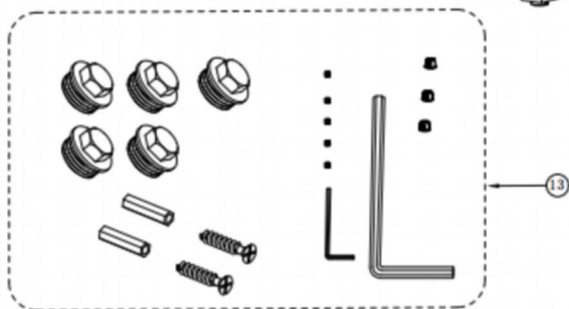
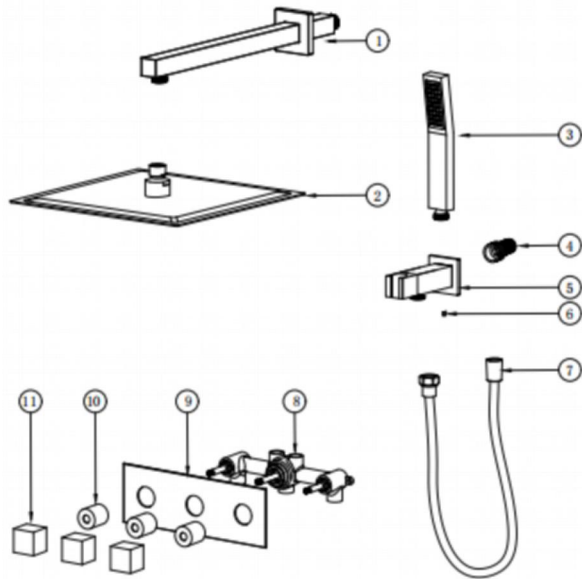


No.	Items	Qty
1	Upper outlet pipe	1
2	Top shower head	1
3	Hand-held shower head	1
4	Water inlet connection	1
5	Stand for hand shower head	1
6	Hexagon socket screw	4
7	Shower hose	1
8	Main body	1
9	Panel	1
10	Sleeve	3
11	Water diversion hand wheel	3
12	Lower outlet pipe	1
13	Accessory bag	1



Check accessories

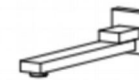
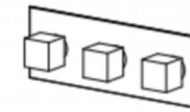
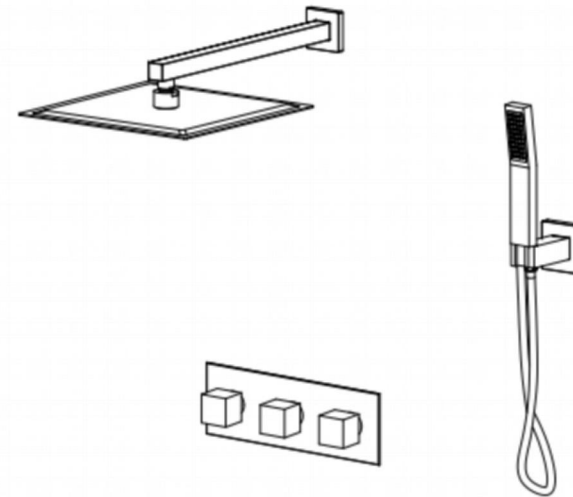
Standard List of Accessories:

When you open the product packaging, please check whether the objects in it are consistent with the main body and accessories you purchased. If there is any inconsistency, please contact our company or our distributor.

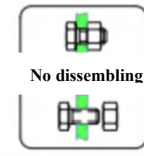
Note: 1. Accessories are subject to change without prior notice if the change doesn't affect usage;

2. The appearance of the product is subject to the physical objects you receive, and the schematic diagram is only for reference.

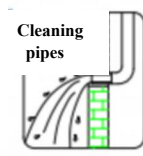
Installation Instructions for Wall Faucet



This product has been inspected and debugged by the factory to the best condition. Please do not disassemble and assemble it yourself.



Before installing the faucet, please be sure to remove sundries and sludge from the water pipe to prevent sundries from blocking the faucet.

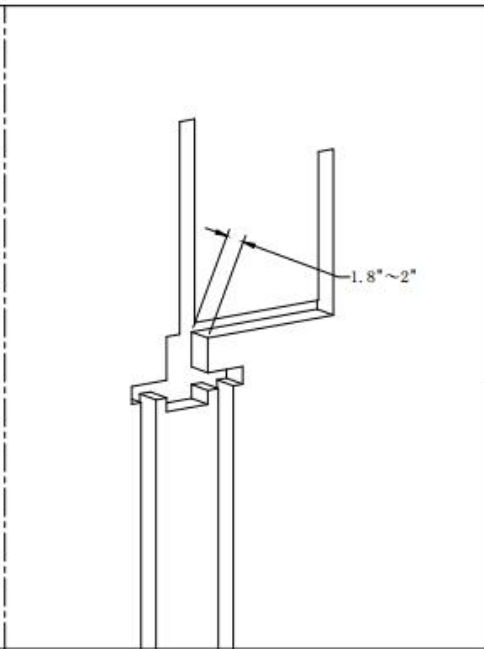
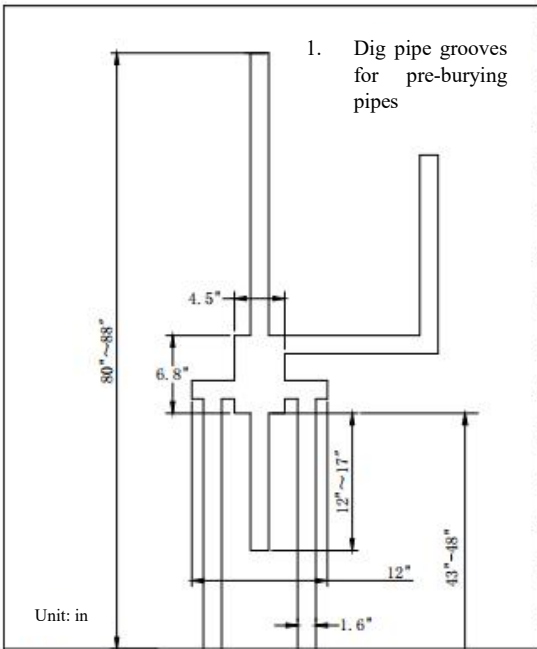


Cleaning Care

In order to keep the appearance of the faucet clean, bright and good performance, please take care of the faucet as follows:

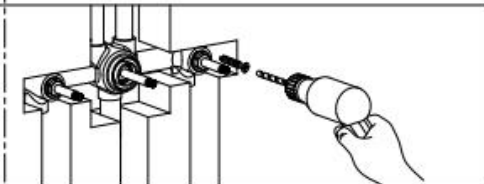
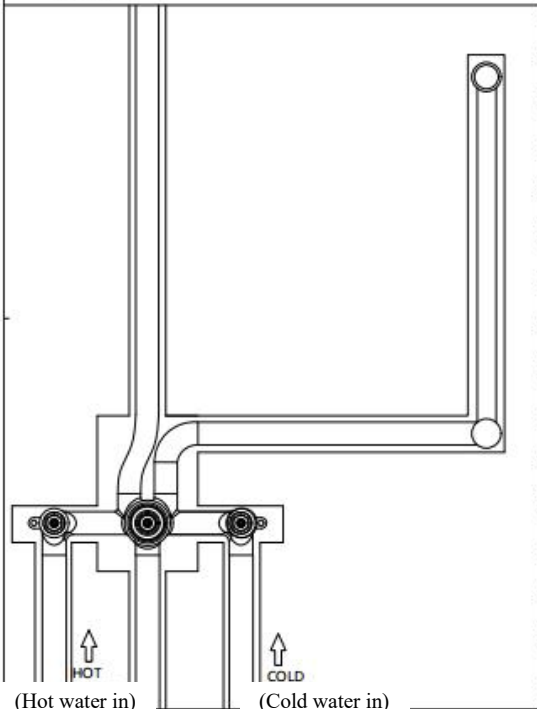
1. Rinse with water only and dry with soft cotton cloth;
2. Use mild liquid and colorless glass cleaner to remove surface dirt and scale film, or use polish without abrasive effect;
3. Do not use abrasive detergent, polish, emery cloth, paper towel or scraper, etc.;
4. Do not use acid cleaner, or cleaner and soap with insoluble gran etc.
5. In the process of use, mud may accumulate in the bubbler and make the water flow slow. The bubbler can be unscrewed, rinsed with water, and then installed back in place.



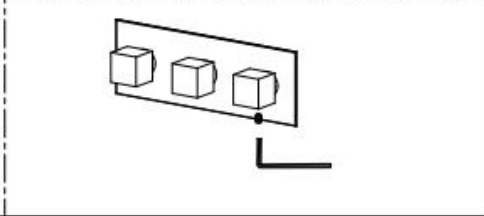
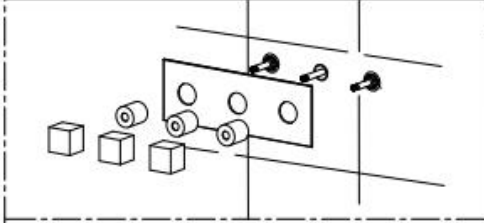


2. Install the main bod, water inlet and outlet pipes.

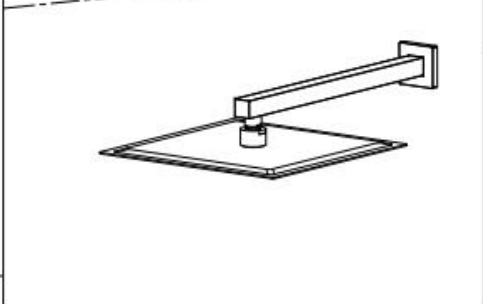
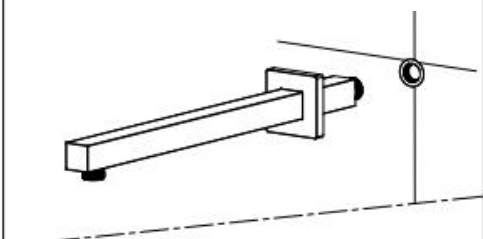
3. Fix the main body of the faucet with self-tapping screws (the main body must be flush with the wall).



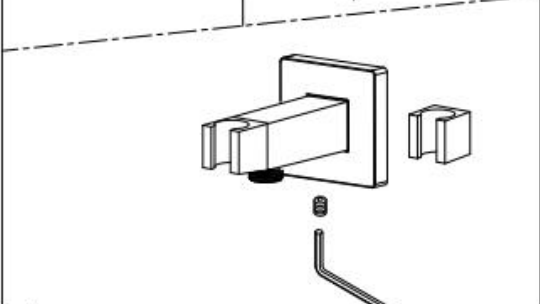
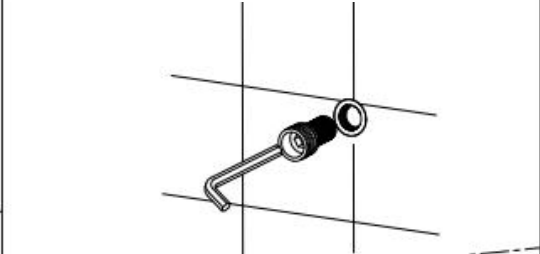
4. Install the panel, sleeve and hand wheel in sequence.



5. Install upper outlet pipe and top shower head.
(wrap the PTFE tape on the thread)



6. Install the stand for hand-held shower head.
(wrap the PTFE tape on the thread)



7. Install lower outlet pipe
(wrap the PTFE tape on the thread)

