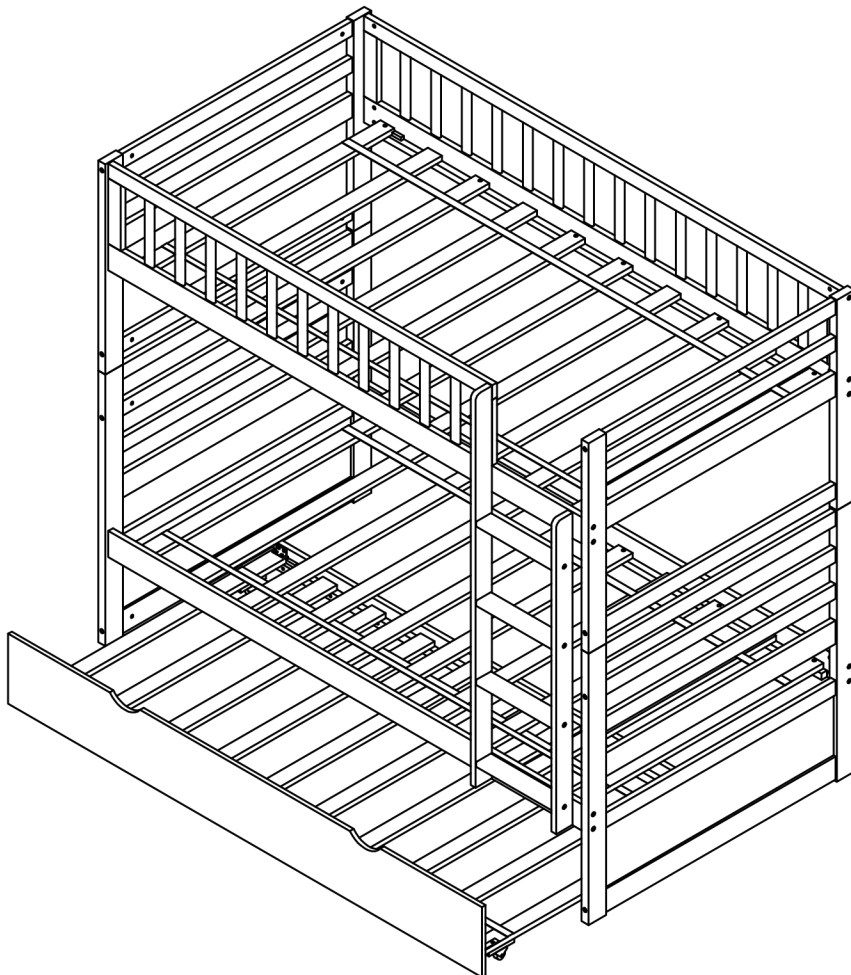


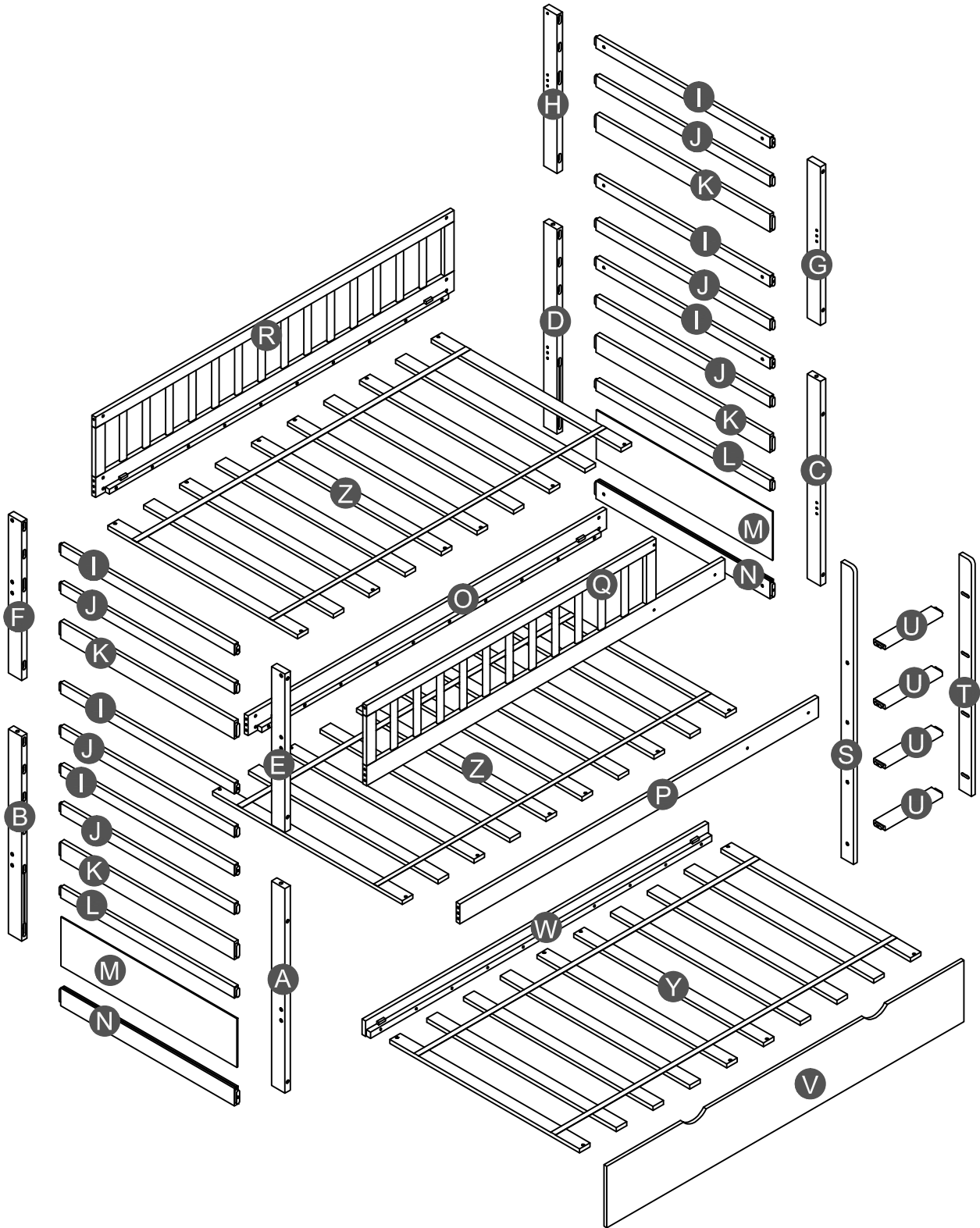
# ASSEMBLY INSTRUCTIONS

## BUNK BED



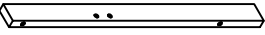
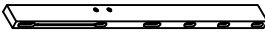
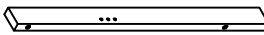
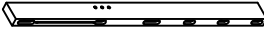
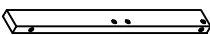
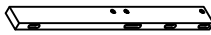
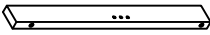

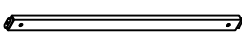
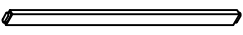


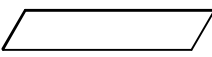
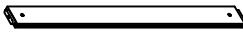
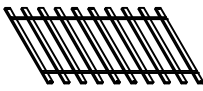
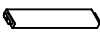
WF192473 / WF192474

# Detail View






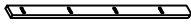
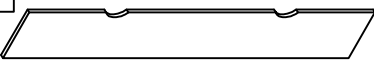

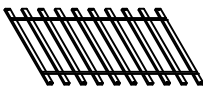


# Part List


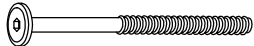
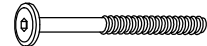


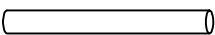

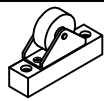




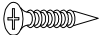

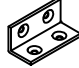
## Hardware List WF192473

<b>A</b>		<b>B</b>		<b>C</b>	
	Lower leg - 1pc		Lower leg - 1pc		Lower leg - 1pc
<b>D</b>		<b>E</b>		<b>F</b>	
	Lower leg - 1pc		Upper leg - 1pc		Upper leg - 1pc
<b>G</b>		<b>H</b>		<b>I</b>	
	Upper leg - 1pc		Upper leg - 1pc		Horizontal bar - 6pcs
<b>J</b>		<b>K</b>		<b>L</b>	
	Horizontal bar - 6pcs		Horizontal bar - 4pcs		Horizontal bar - 2pcs
<b>M</b>		<b>N</b>		<b>Y</b>	
	Side panel - 2pcs		Horizontal bar - 2pcs		Trundle slat - 1set (10pcs)
<b>U</b>					
	Ladder step - 4pcs				

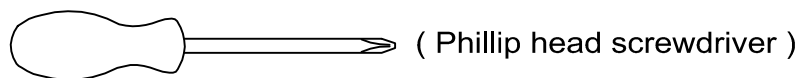
## WF192474

<b>O</b>		<b>P</b>		<b>Q</b>	
	Lower back side rail - 1pc		Lower front side rail - 1pc		Upper front side rail - 1pc
<b>R</b>		<b>S</b>		<b>T</b>	
	Upper back side rail - 1pc		Ladder left side rail - 1pc		Ladder right side rail - 1pc
<b>V</b>		<b>W</b>		<b>Z</b>	
	Trundle front panel - 1pc		Trundle back panel - 1pc		Slat - 2sets (10pcs/set)

# Hardware List

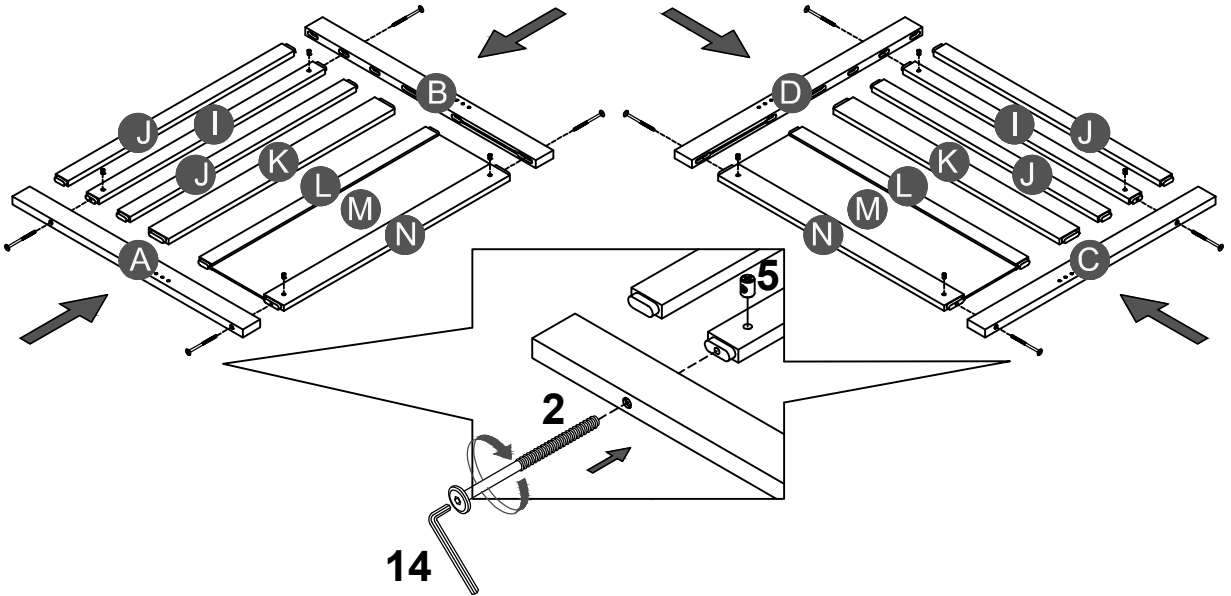
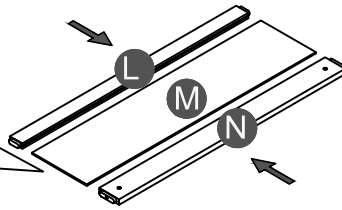
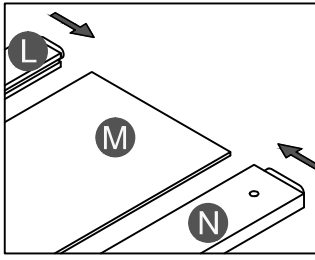
<b>1</b>  Ø8*30mm Wood dowel (8pcs)	<b>2</b>  (Ø12)1/4"*110mm Hex-Head bolts (16pcs)	<b>3</b>  (Ø12)1/4"*80mm Hex-Head bolts (19pcs)
<b>4</b>  (Ø12)1/4"*45mm Hex-Head bolts (5pcs)	<b>5</b>  1/4"*15 (9.5mm) Horizontal-Hole bolts (35pcs)	<b>6</b>  Ø9*90mm Connecting bar (4pcs)
<b>7</b>  (Ø12)1/4"*50mm Hex-Head bolts (8pcs)	<b>8</b>  100*20*65 mm Wheels (4pcs)	<b>9</b>  Ø4*30mm Wood screws (40pcs)
<b>10</b>  95*95*18*3mm Metal bracket (2pcs)	<b>11</b>  Ø3.5*15mm Wood screws (16pcs)	<b>12</b>  75*20*2mm Metal plate (2pcs)
<b>13</b>  Ø4*19mm Wood screws (8pcs)	<b>14</b>  (1/4")4.5*58mm Allen key (1pc)	<b>15</b>  40*18*18*2mm Metal bracket (2pcs)

## ASSEMBLY TOOLS REQUIRED ( NOT INCLUDED )



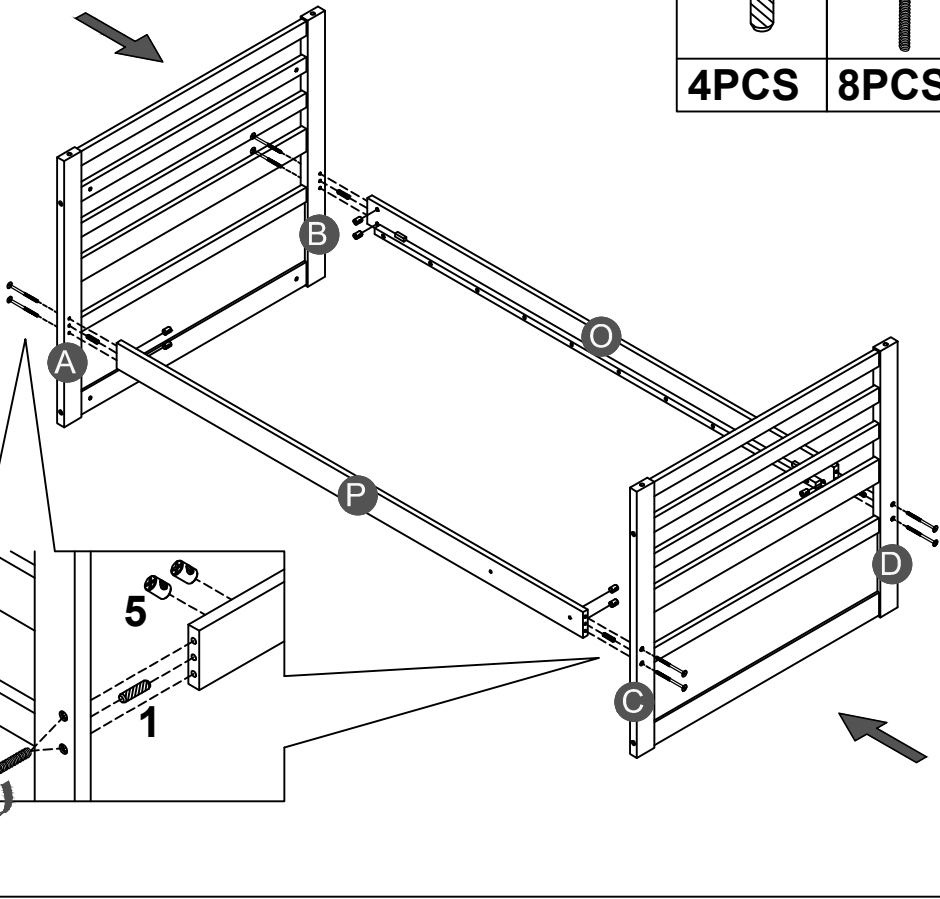
DO NOT USE POWER TOOLS TO ASSEMBLE THIS PRODUCT !

**STEP 1:**



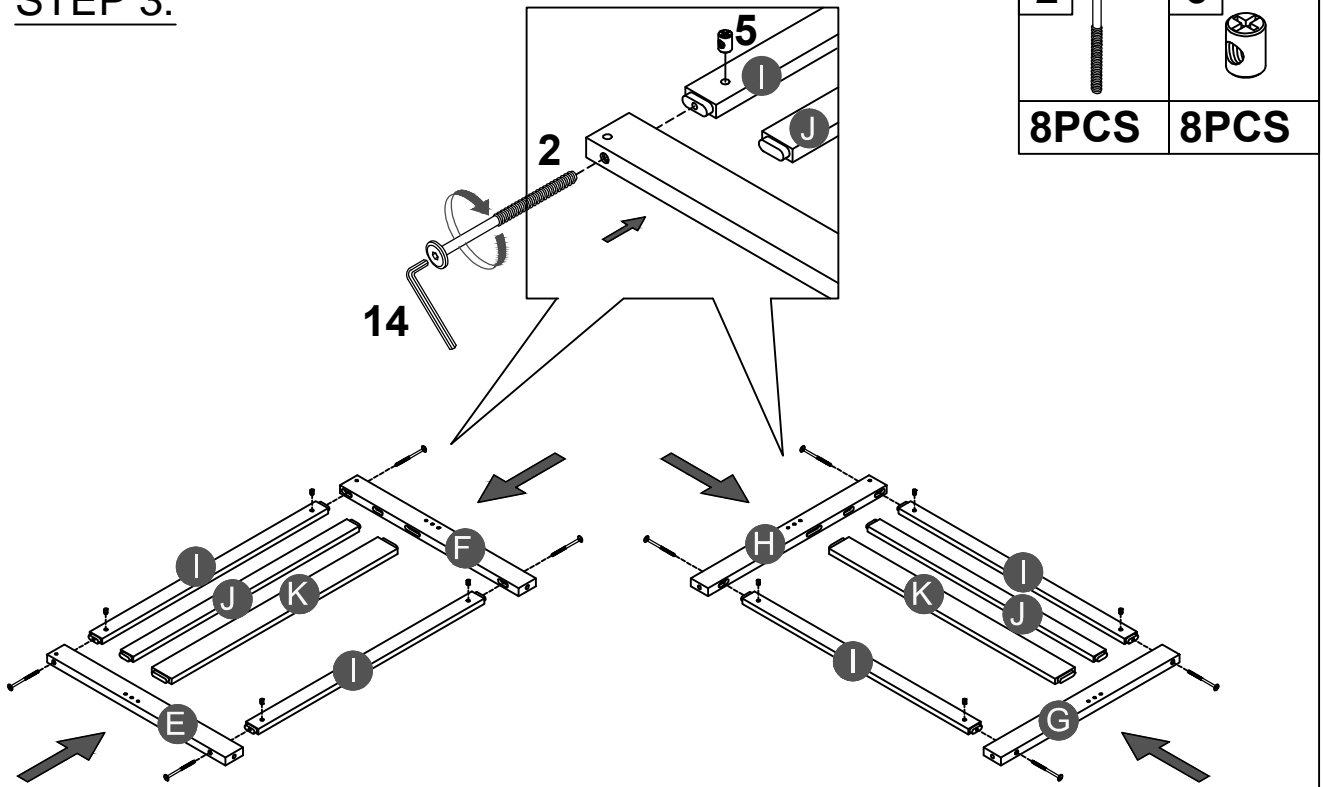
2		5	
<b>8PCS</b>		<b>8PCS</b>	

**STEP 2:**

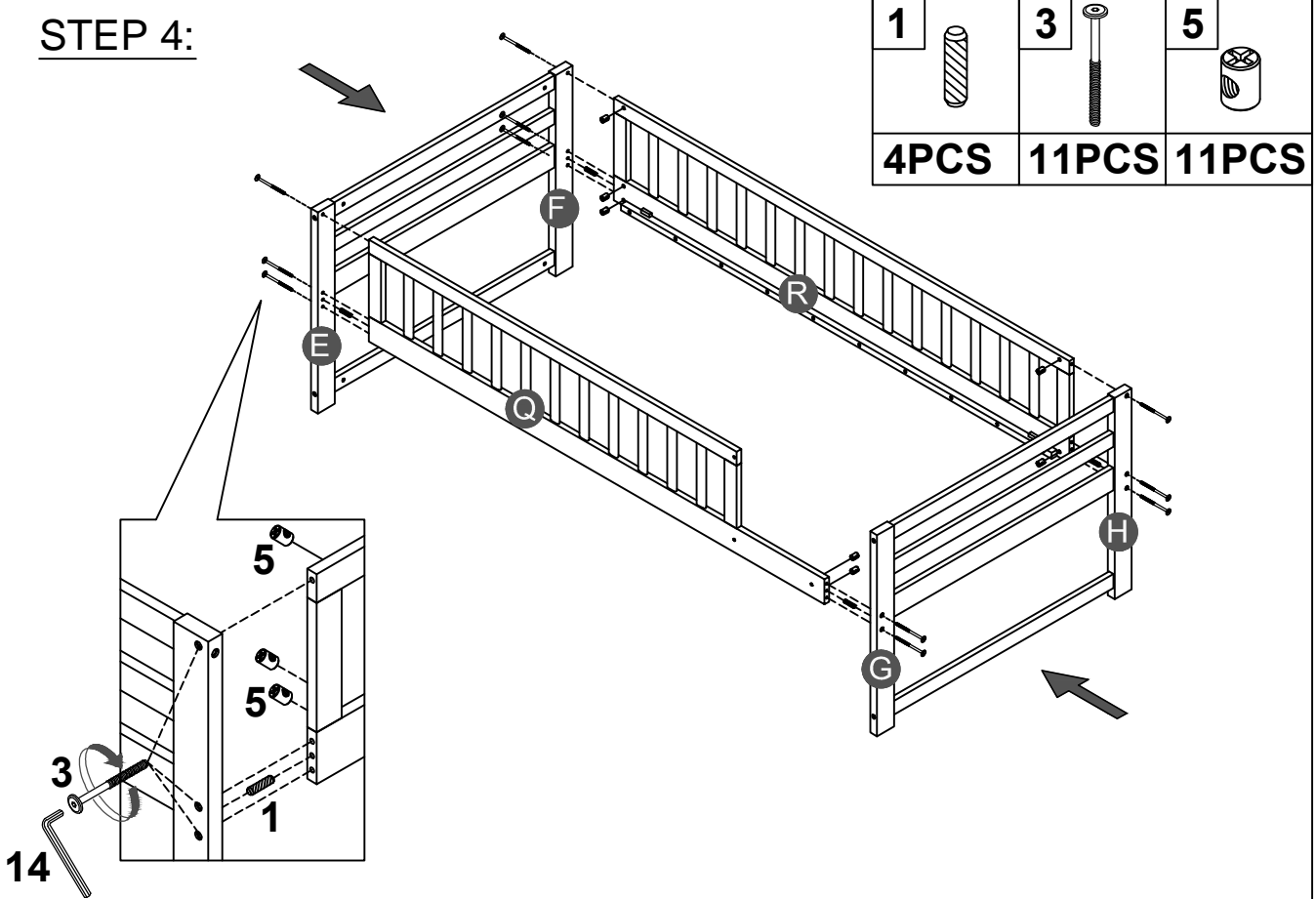


1		3		5	
<b>4PCS</b>		<b>8PCS</b>		<b>8PCS</b>	

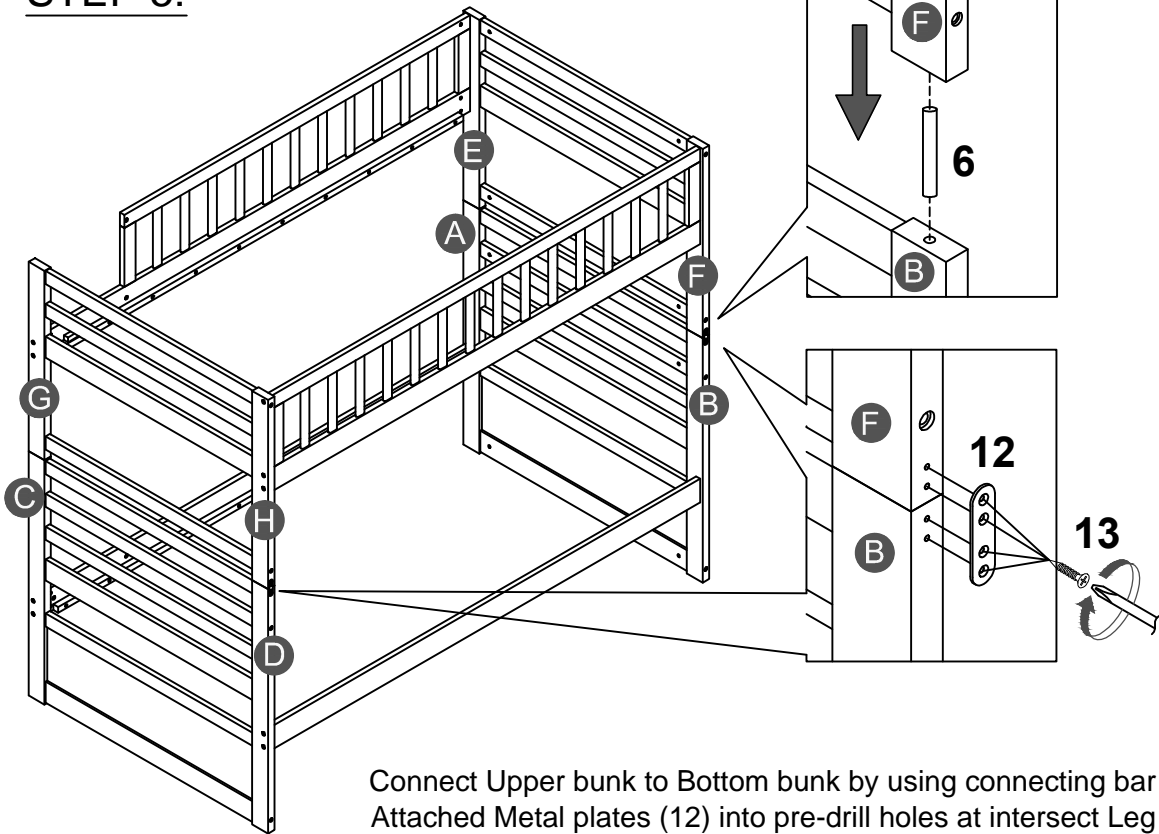
**STEP 3:**



**STEP 4:**



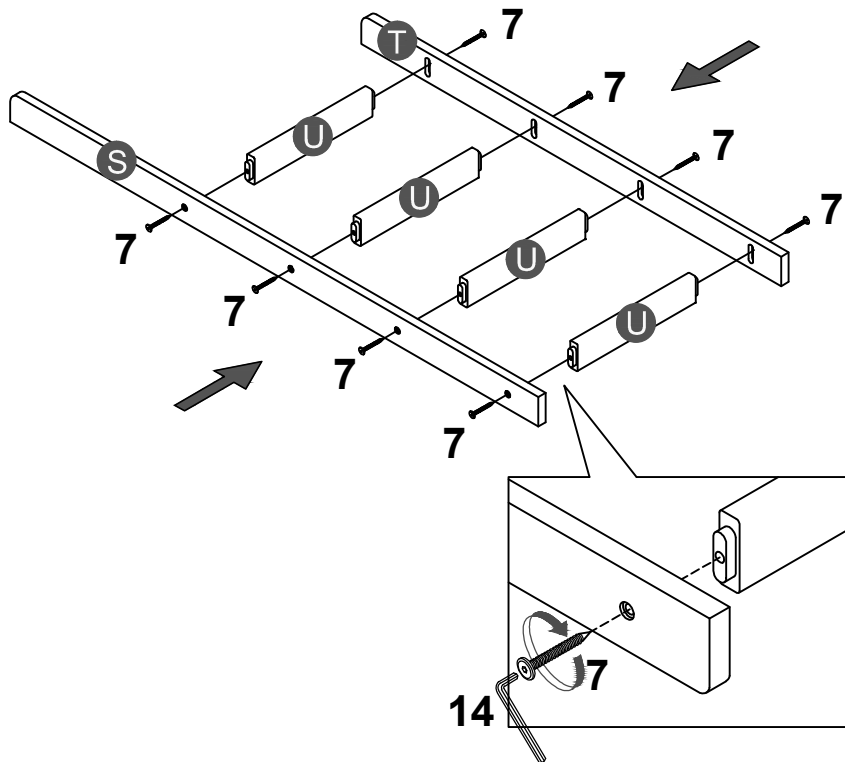
**STEP 5:**



- |      |  |
|------|--|
| 6    |  |
| 4PCS |  |
| 12   |  |
| 2PCS |  |
| 13   |  |
| 8PCS |  |

Connect Upper bunk to Bottom bunk by using connecting bar (6). Attached Metal plates (12) into pre-drill holes at intersect Leg (B) with Leg (F) and Leg (D) with Leg (H) by using screw (13). Tighten screw (13) with Phillip hed screwdriver.

**STEP 6:**



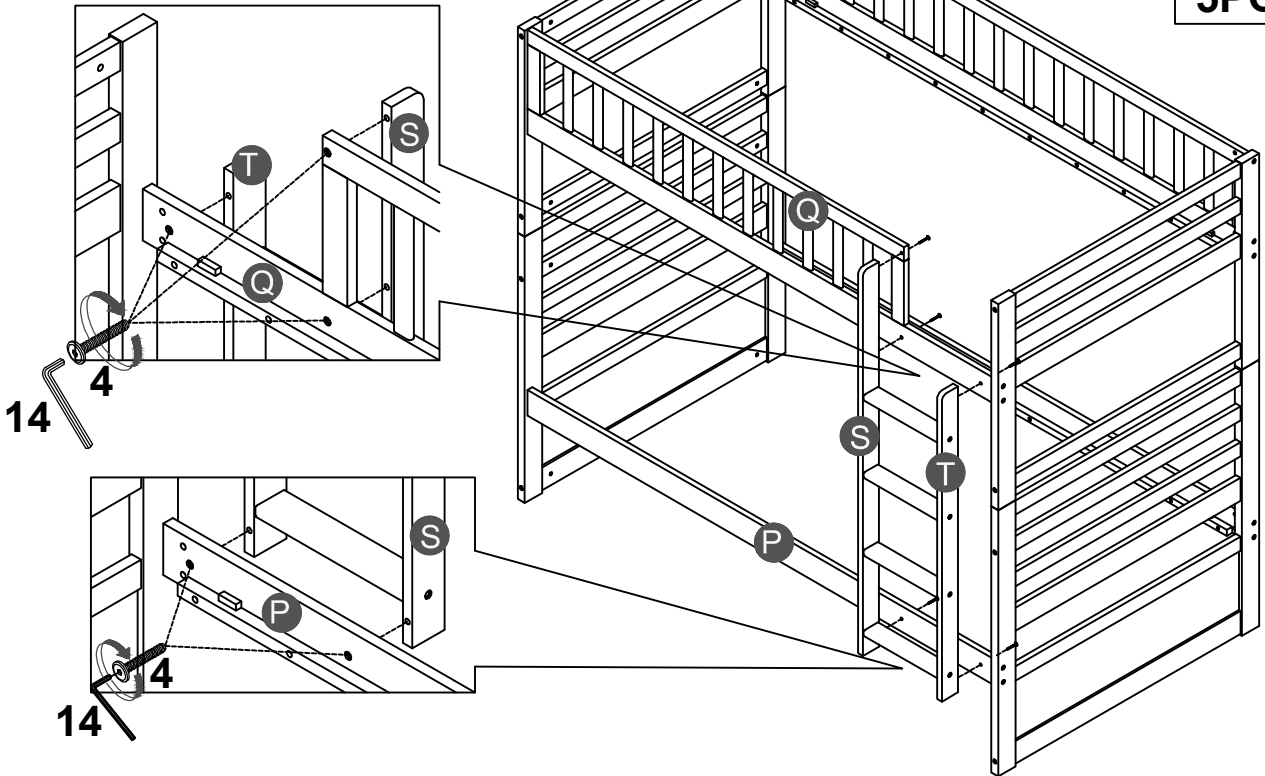
- |      |  |
|------|--|
| 7    |  |
| 8PCS |  |

**STEP7:**

4



5PCS

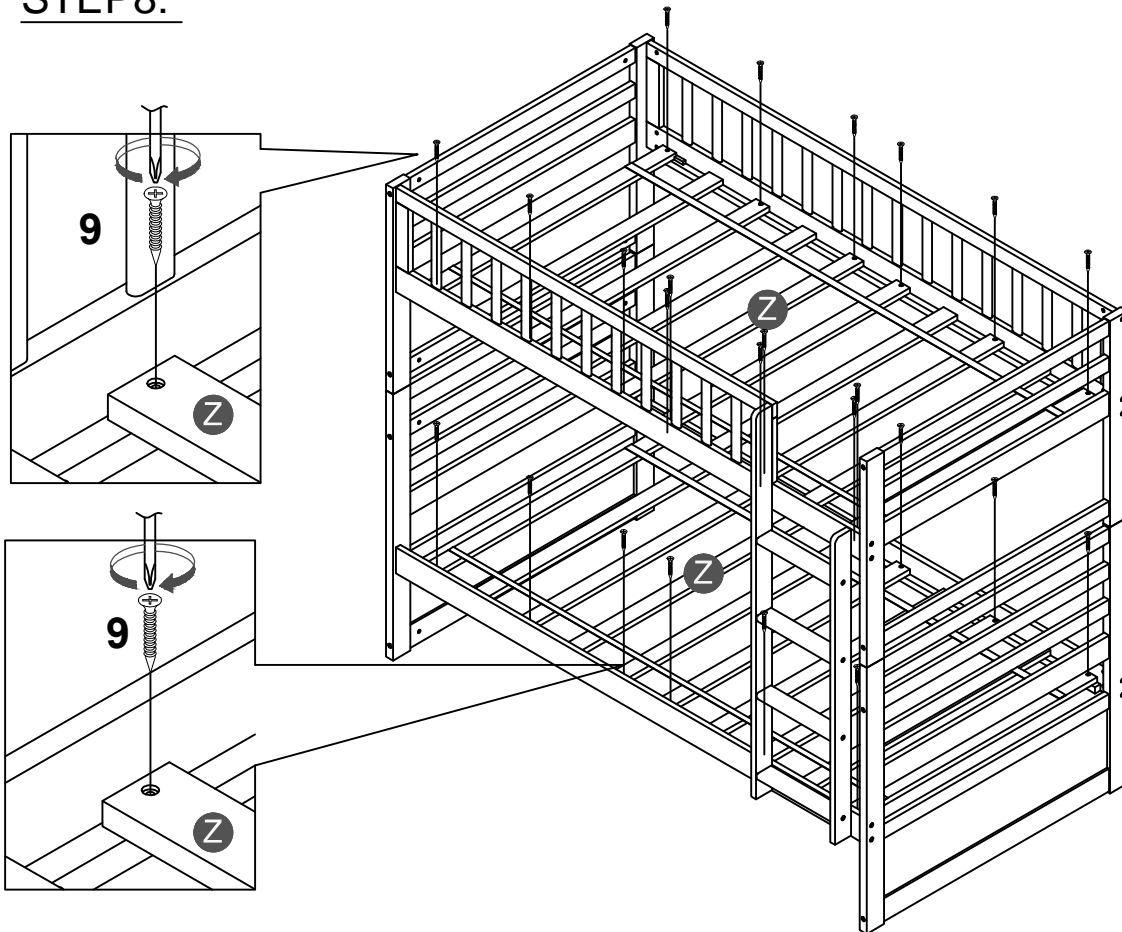


**STEP8:**

9





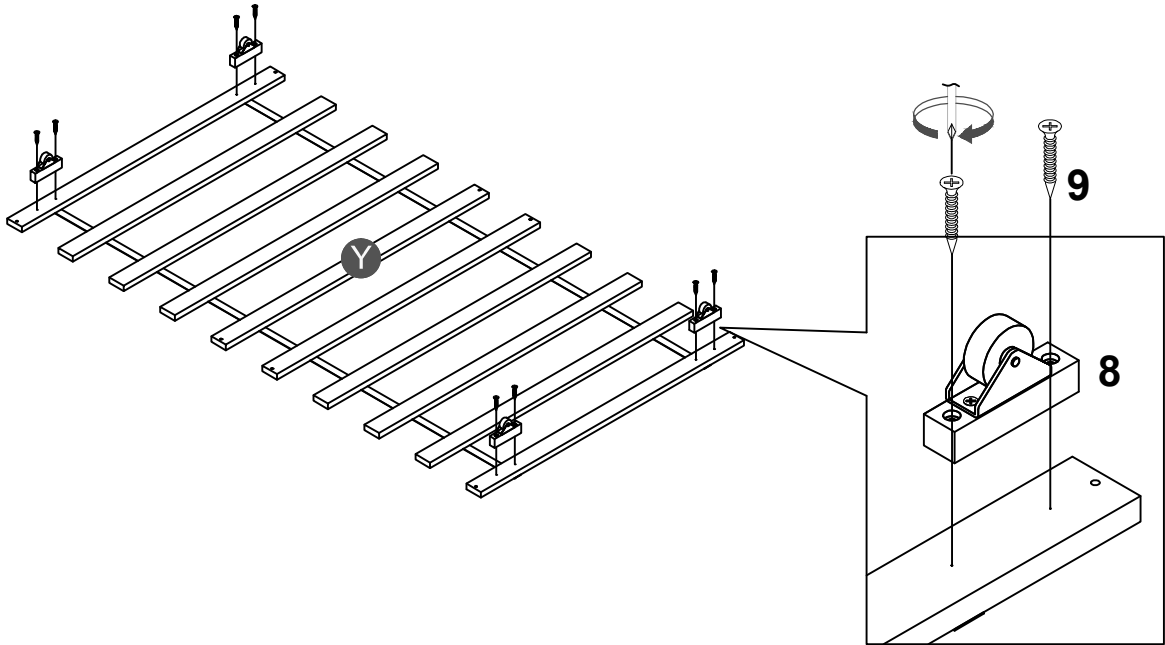
24PCS






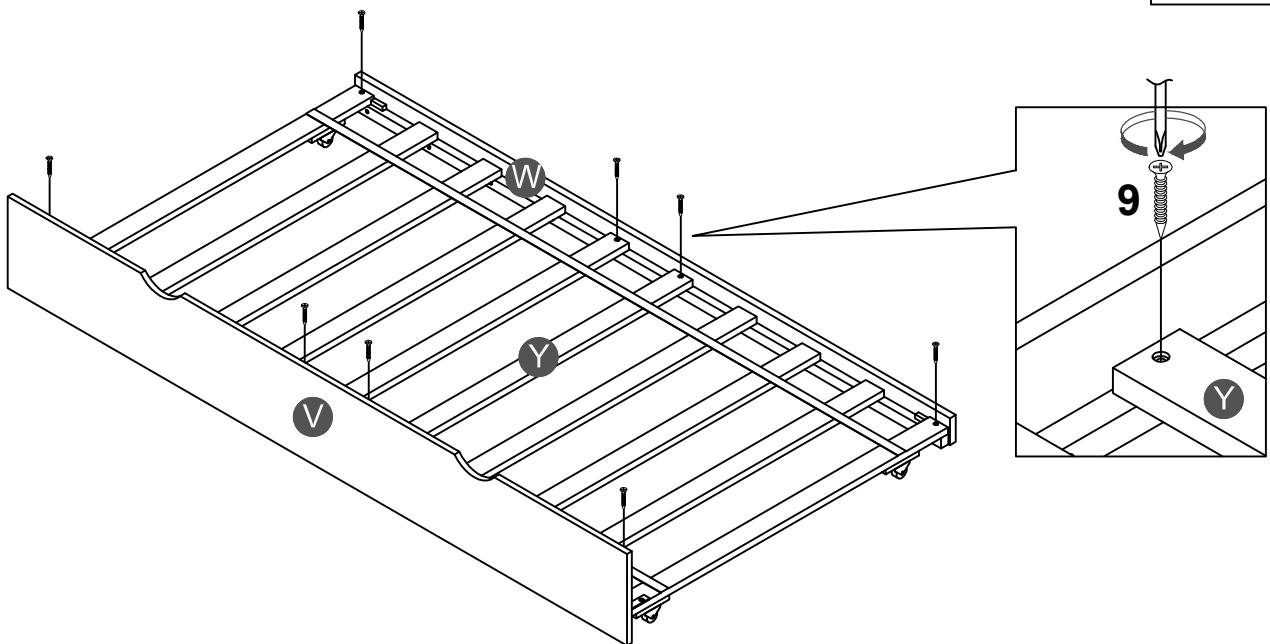
**STEP 9:**

<b>8</b>	<b>9</b>
	
<b>4PCS</b>	<b>8PCS</b>





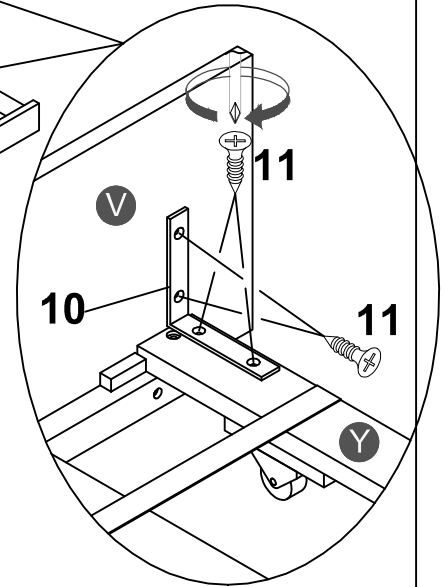
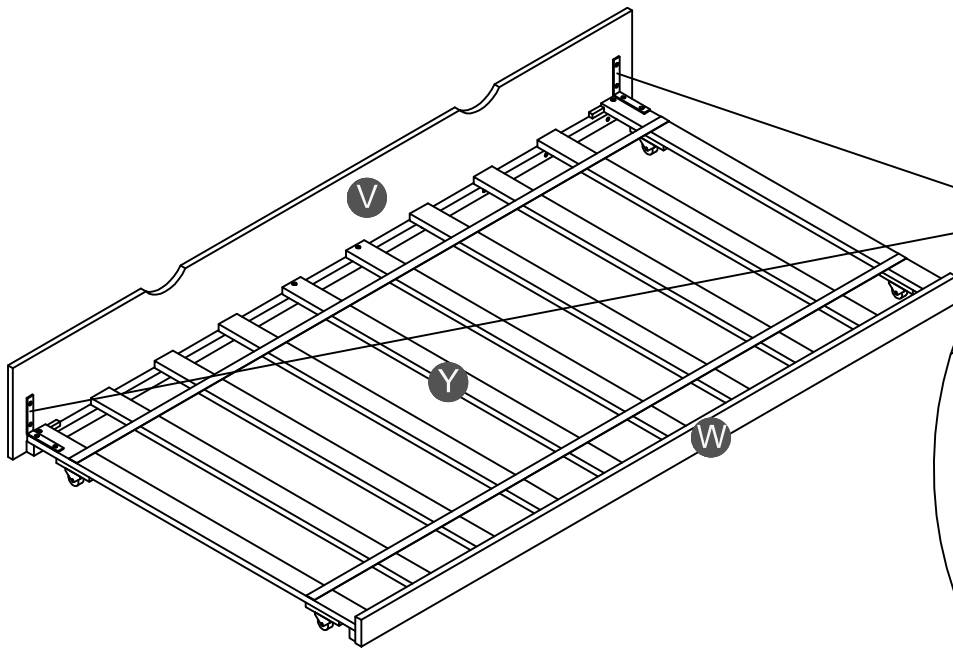
**STEP 10:**

<b>9</b>

<b>8PCS</b>





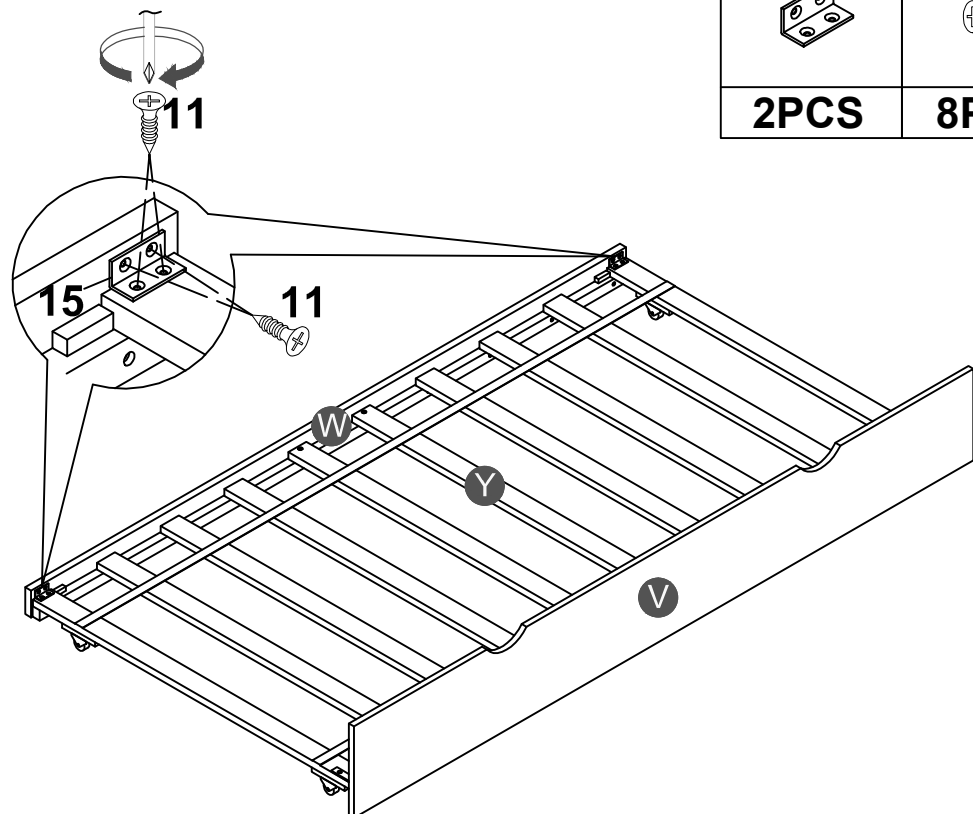
**STEP 11:**

<b>10</b>	<b>11</b>
	
<b>2PCS</b>	<b>8PCS</b>

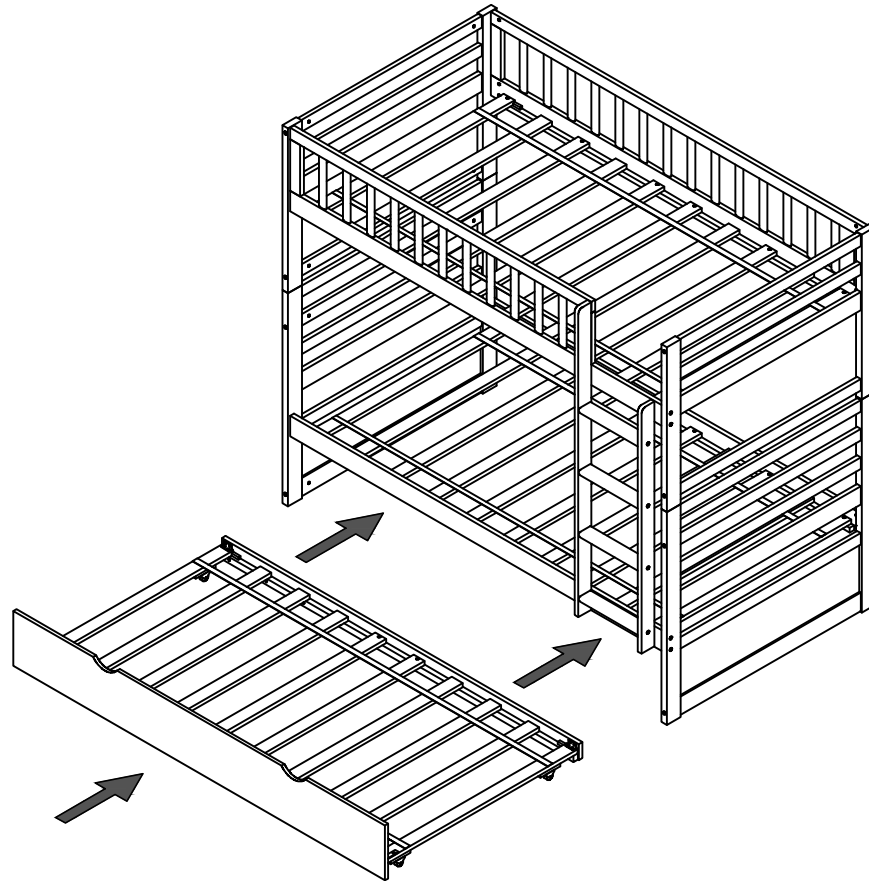


**STEP 12:**

<b>15</b>	<b>11</b>
	
<b>2PCS</b>	<b>8PCS</b>



**STEP 13:**



Push Trundle under the bottom of Bunkbed.

