

The logo for Kraus, featuring the brand name in a white serif font on a black background. The letter 'K' is stylized with three horizontal lines passing through it, and the letter 'ä' has two small circles above it. A registered trademark symbol (®) is located to the upper right of the 's'.

INSTALLATION MANUAL

Premier Outlast MicroShield™ Scratch-Resist Stainless Steel Undermount Kitchen Sink

KBU10E / KBU12E / KBU14E / KBU22E
KBU23E / KBU24E

Thank you for your purchase

We would like to take this opportunity to thank you for choosing Kraus. We hope that you are completely satisfied with your purchase, and enjoy it for years to come. If you have any questions, or require technical assistance, please contact us at 800.775.0703 and one of our representatives will be happy to help.

For more information about Kraus products, please visit:

www.kraususa.com

In order to activate your warranty and get faster access to customer support, please register your new Kraus product at:

www.kraususa.com/registration

Sincerely,

Kraus USA Customer Service

Prior to Installation:

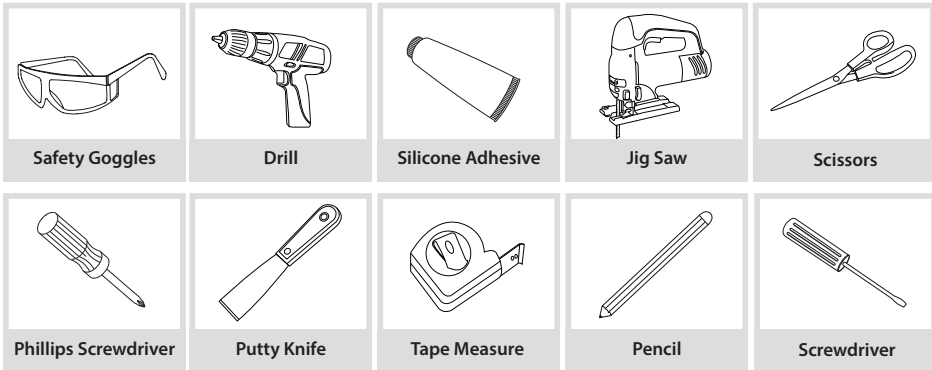
- Make sure that you have all necessary parts by checking the parts list. If any part is missing or damaged, please contact Kraus Customer Service at 800-775-0703 for a replacement
- Inspect the sink prior to installation to make sure that it has not been damaged or during shipping
- Use the cut-out template provided by Kraus
- Observe all plumbing and building codes according to your state requirements
- Not recommended to be installed with laminate countertop

For technical assistance or replacement parts, please contact Kraus Customer Service and one of our representatives will be happy to help:

Toll-Free: 800-775-0703 or Customerservice@kraususa.com

The step-by-step guidelines in the installation instructions are a general reference for installing a Kraus Sink. Should there be any discrepancies, Kraus cannot be held liable. It is recommended to install all Kraus products by hiring a licensed professional.

Tools you will need:

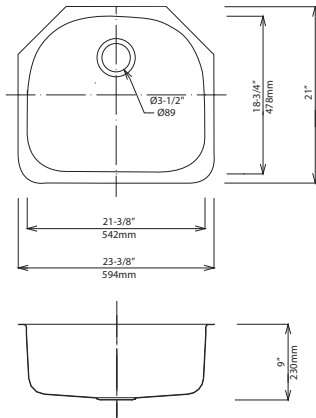


NOTE: Specialized tools may be necessary to install Kraus Stainless Steel Undermount sinks with countertop materials other than wood, marble, or granite

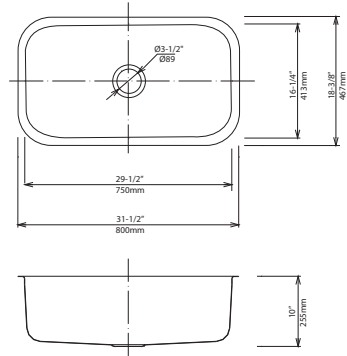
Parts List

- Cut-Out Template
- Mounting Hardware
- Bottom Grids
- Drain
- Compatible with standard garbage disposal adapters

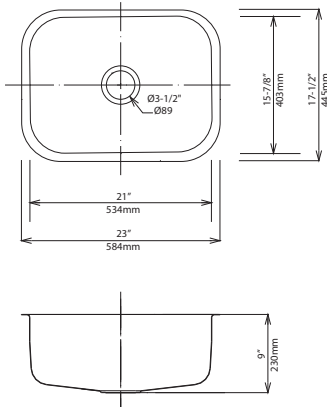
Dimensions



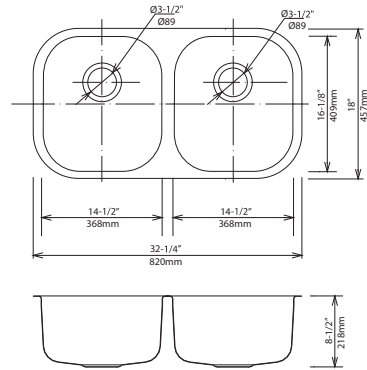
KBU10E
 23 3/8" x 21" x 9"
 Min Cabinet Size: 27"
 Matching Grid: KBG-10
 Drain Model #: BST-1



KBU14E
 31 1/2" x 18 3/8" x 10"
 Min Cabinet Size: 36"
 Matching Grid: KBG-14
 Drain Model #: BST-1

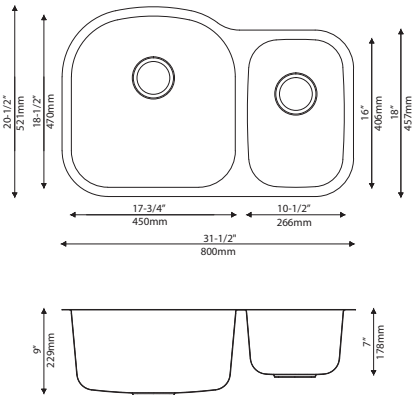


KBU12E
 23" x 17 1/2" x 9"
 Min Cabinet Size: 27"
 Matching Grid: KBG-12
 Drain Model #: BST-1

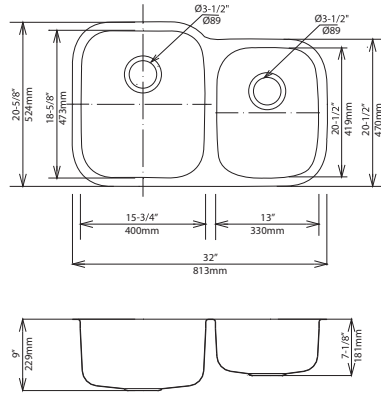


KBU22E
 32 1/4" x 18" x 8 1/2"
 Min Cabinet Size: 36"
 Matching Grid: KBG-22-1
 ,KBG-22-2
 Drain Model #: BST-1 & ST-1

Dimensions



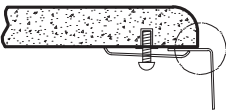
KBU23E
 31 1/2" x 20 1/2" x 9"
 Min Cabinet Size: 36"
 Matching Grid: KBG-23-1, KBG-23-2
 Drain Model #: BST-1 & ST-1



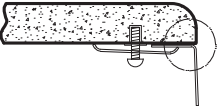
KBU24E
 32" x 20 5/8" x 9"
 Min Cabinet Size: 36"
 Matching Grid: KBG-24-1, KBG-24-2
 Drain Model #: BST-1 & ST-1

1. Determine Reveal Type

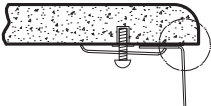
Use scissors to cut along the line of the paper template for your desired reveal type (Negative, Positive, or Flushed Reveal)



3/8" Positive Reveal

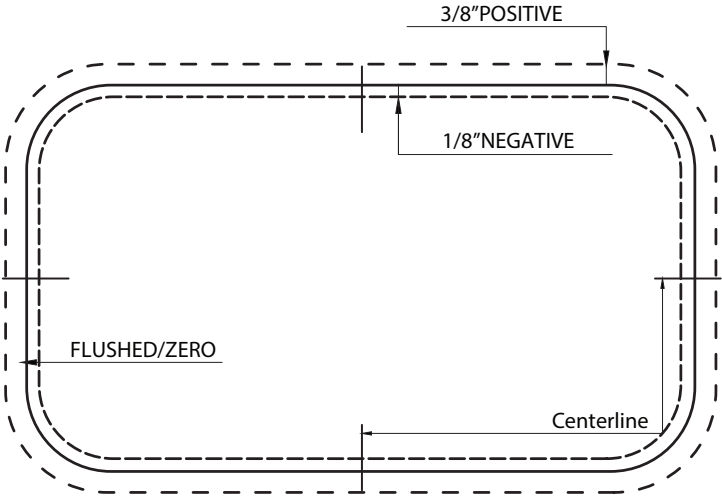


Flushed/Zero Reveal



1/8" Negative Reveal

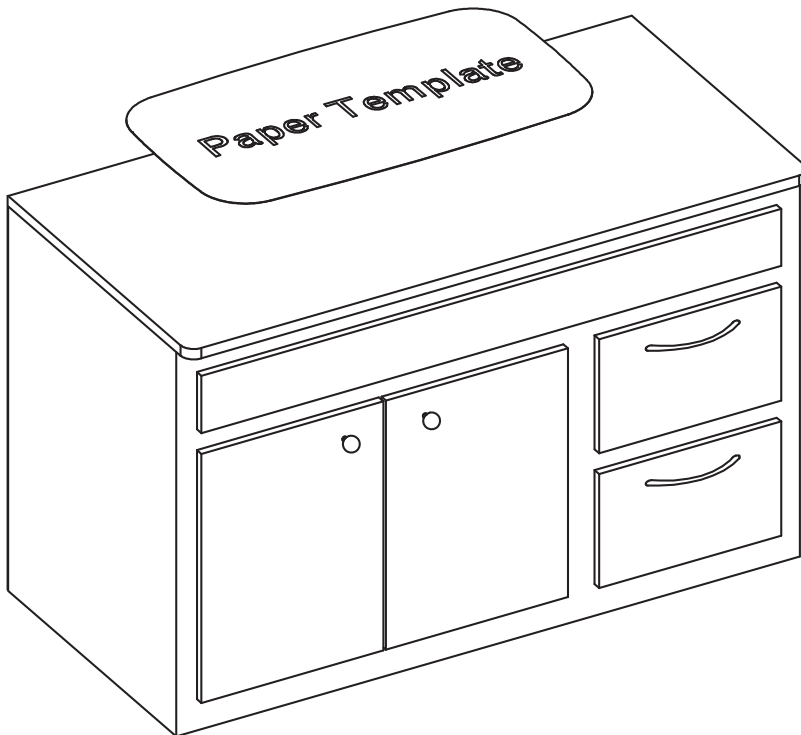
KRAUS Recommended Installation Type



2. Position Template

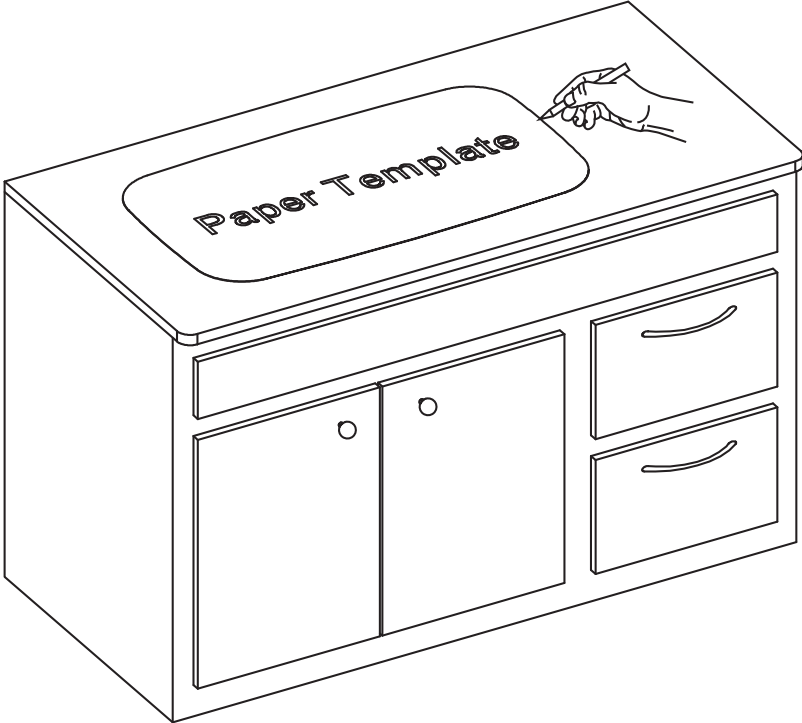
- Check the cut-out template against the actual sink to ensure a proper sized cut-out
- Place the cut-out template in the desired location on the countertop

NOTE: Make sure clearance is suitable for backsplash, faucet, and plumbing for the sink



3. Trace Template

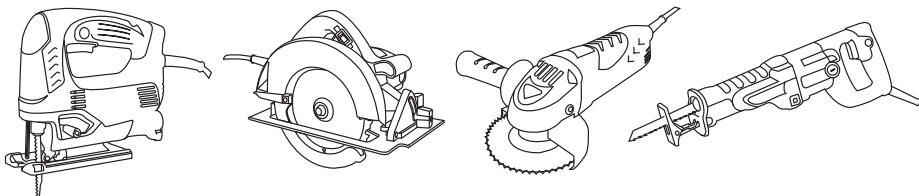
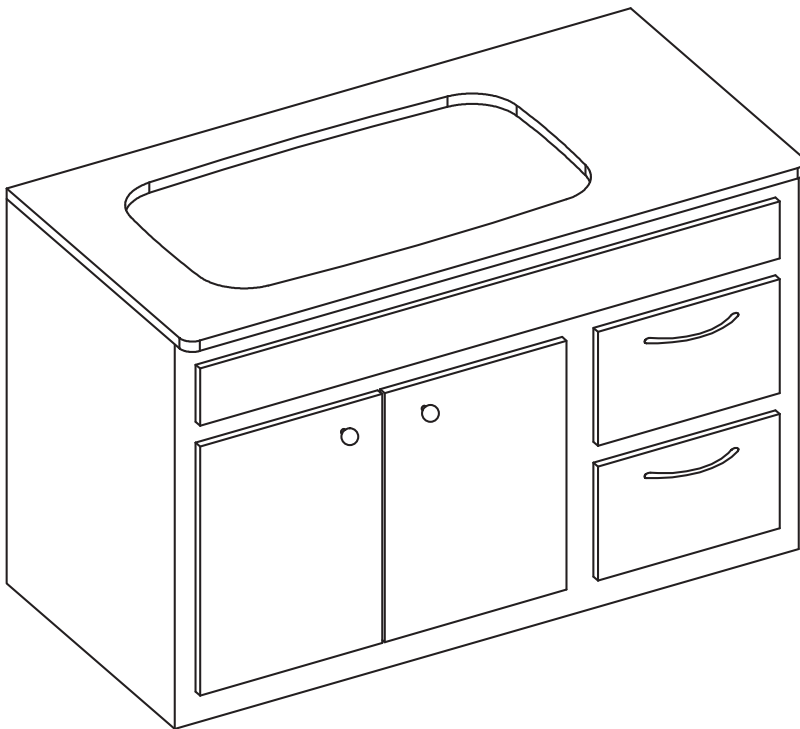
- Trace template on countertop with a pencil



4. Cut Countertop

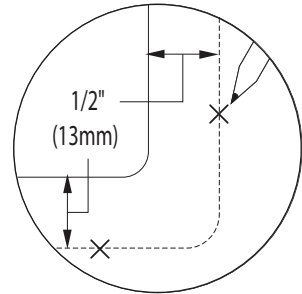
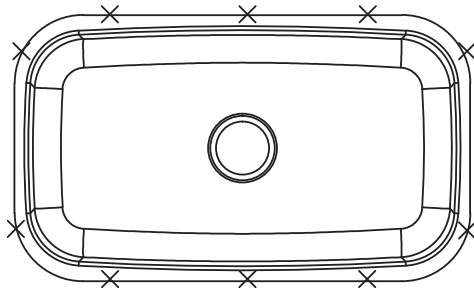
- Cut the opening in the countertop by carefully following the traced line

NOTE: Please use the appropriate saw that best fits your countertop material



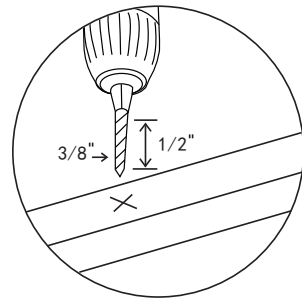
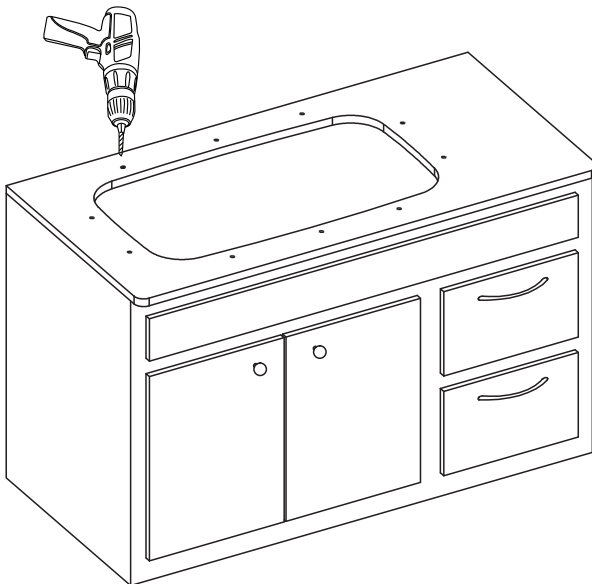
5. Set up Mounting Brackets

- Turn countertop over and align sink with countertop. Decide location for mounting brackets
- Mounting holes should be $\frac{1}{2}$ " from edge of sink



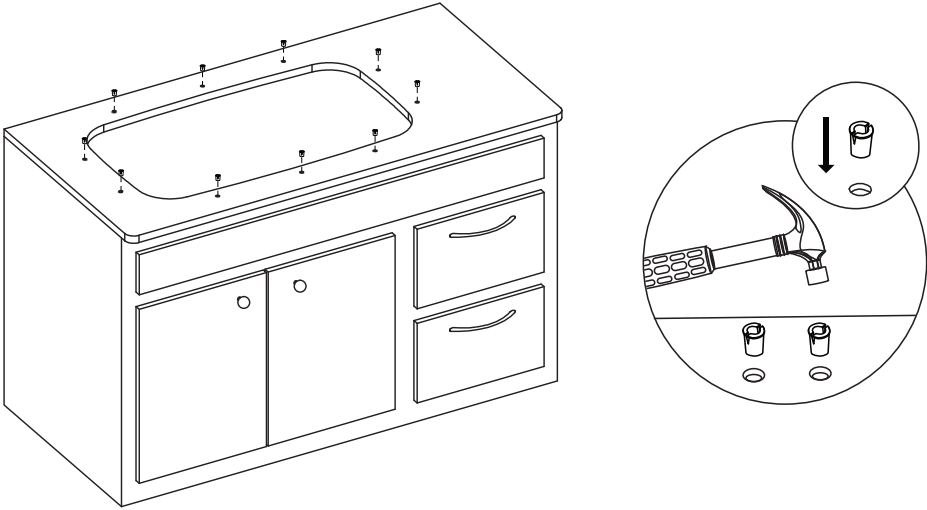
6. Drill Hole in Countertop

- Drill $\frac{3}{8}$ " diameter x $\frac{1}{2}$ " deep hole in the countertop



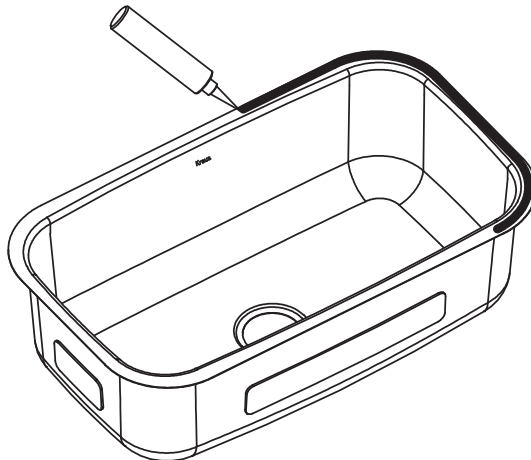
7. Install Anchors

- Insert anchors into drilled holes and lightly tap with a hammer until flush



8. Secure Sink to Countertop

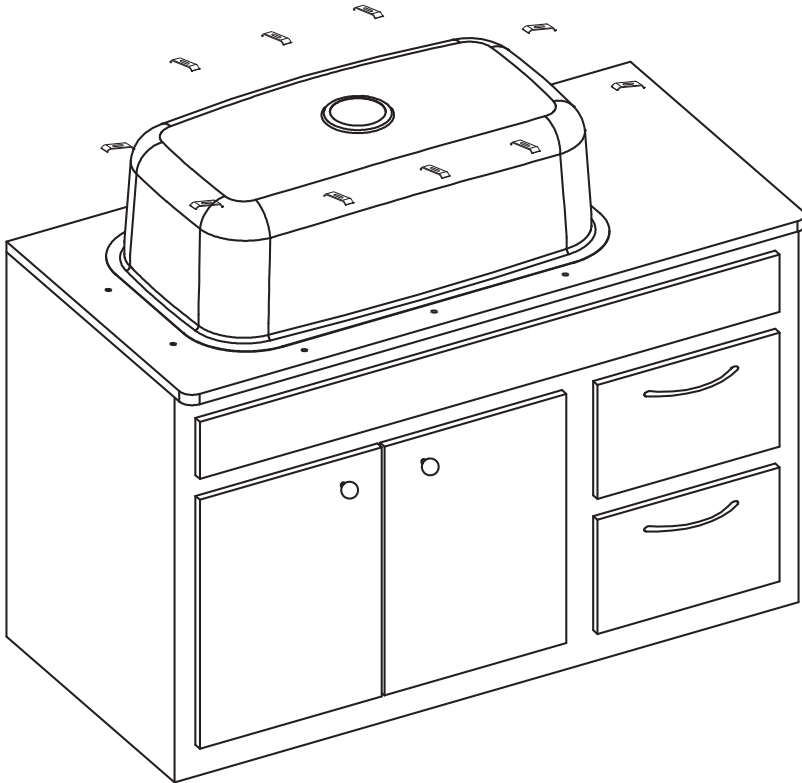
- Use a bead of silicone (or preferred adhesive) around the rim of the sink. Check the alignment of the sink to the cutout in the countertop. Place sink over cutout hole and press firmly



9. Attach Mounting Hardware

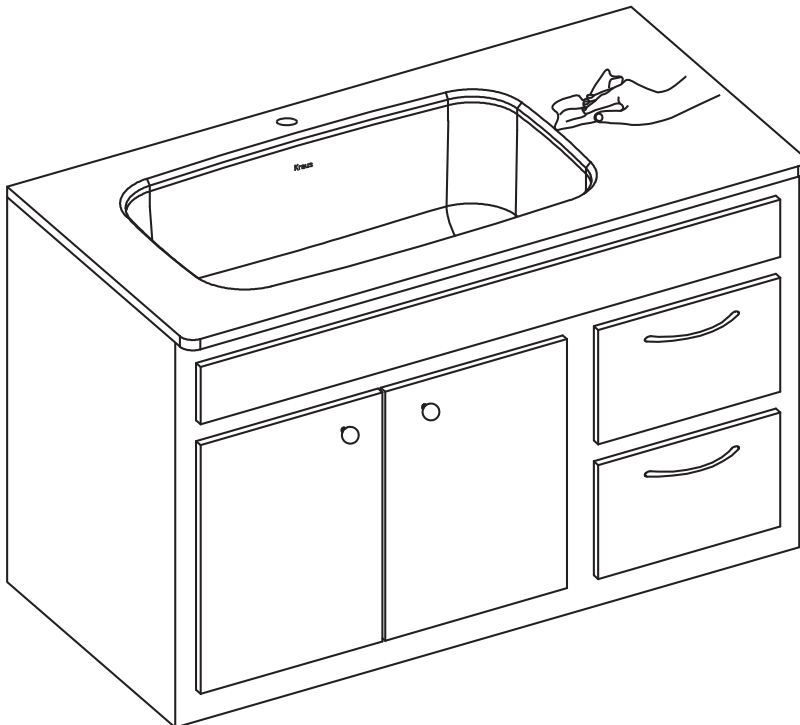
- Attach mounting hardware to secure bowl. Remove excess sealant from inside lip
- Allow sealant to set for 30 – 60 minutes

NOTE: Use acetone or rubbing alcohol to remove any excess sealant



10. Install Plumbing Fixtures

- Connect drain to sink. Connect trap to drain. Connect water supply connections to faucet according to manufacturer's instructions
- Run water into sink and check for leaks



Codes/Standards Applicable:



HELP LINE

Our customer service hours are Monday – Friday, 9am – 8pm EST.
Be sure to visit our website at www.kraususa.com

If you are a HOMEOWNER please contact a Kraus Customer Service Representative at:

Kraus USA, Inc.
12 Harbor Park Drive
Port Washington, NY 11050
Toll-free 800-775-0703
Customerservice@kraususa.com

If you are a PLUMBING CONTRACTOR OR TRADE PROFESSIONAL please contact a Kraus Pro Representative at:

Kraus USA, Inc.
12 Harbor Park Drive
Port Washington, NY 11050
516-801-8955
Proservice@kraususa.com

If you are an AUTHORIZED PARTNER please contact a Partner Support Representative at:

Kraus USA, Inc.
12 Harbor Park Drive
Port Washington, NY 11050
516-801-8954
Partnersupport@kraususa.com

In requesting warranty service, please be ready to provide:

1. Proof of purchase.
2. A description of the problem.

REGISTER YOUR PRODUCT TODAY

- Receive** Proof of Ownership
- Access** Customer Care & Installation Help
- Get** Exclusive Kraus Offers & Promotions



Scan to Register Online

We're always looking for ways to improve.

Please take a moment to share your experience.
Visit www.kraususa.com and let us know what you think.

Contact Us To Learn More

1.800.775.0703 / www.kraususa.com / customerservice@kraususa.com

Like & Follow **KrausUSA**



Kraus[®]

www.kraususa.com