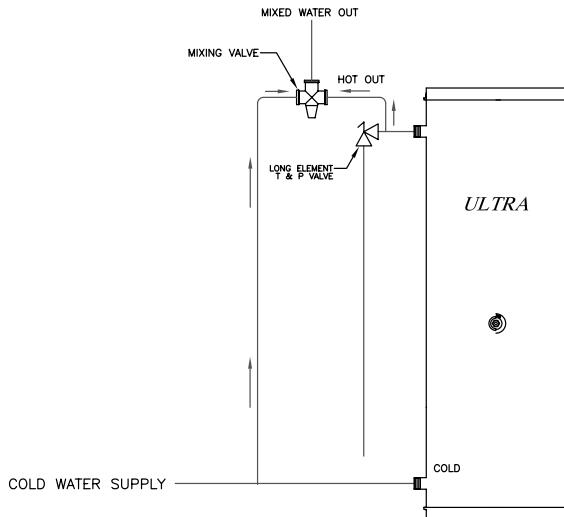
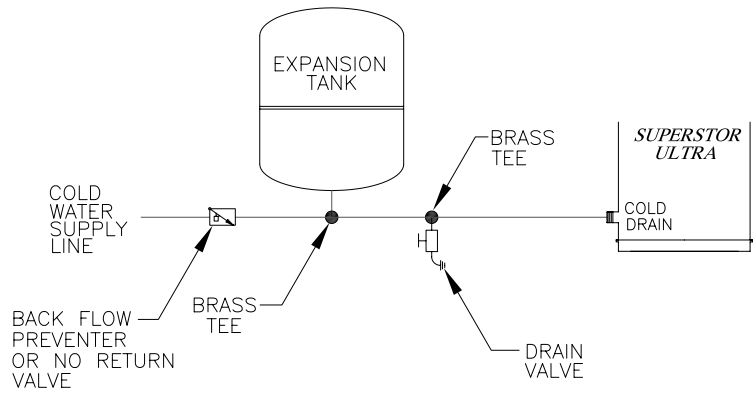


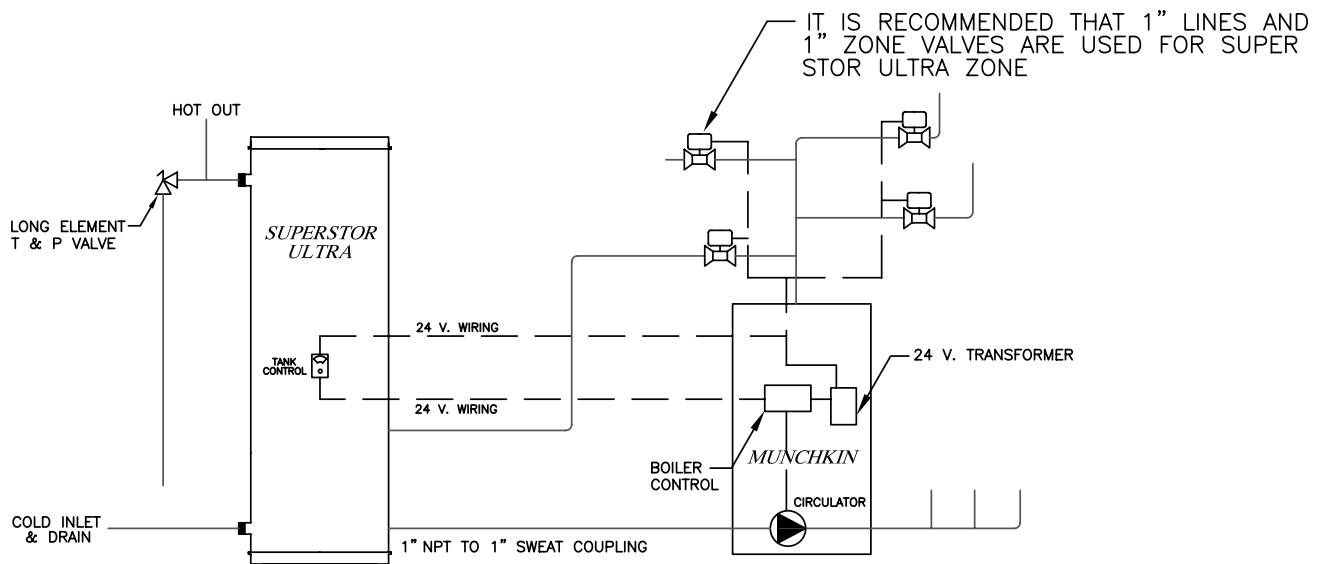
TYPICAL MIXING VALVE



TYPICAL EXPANSION TANK

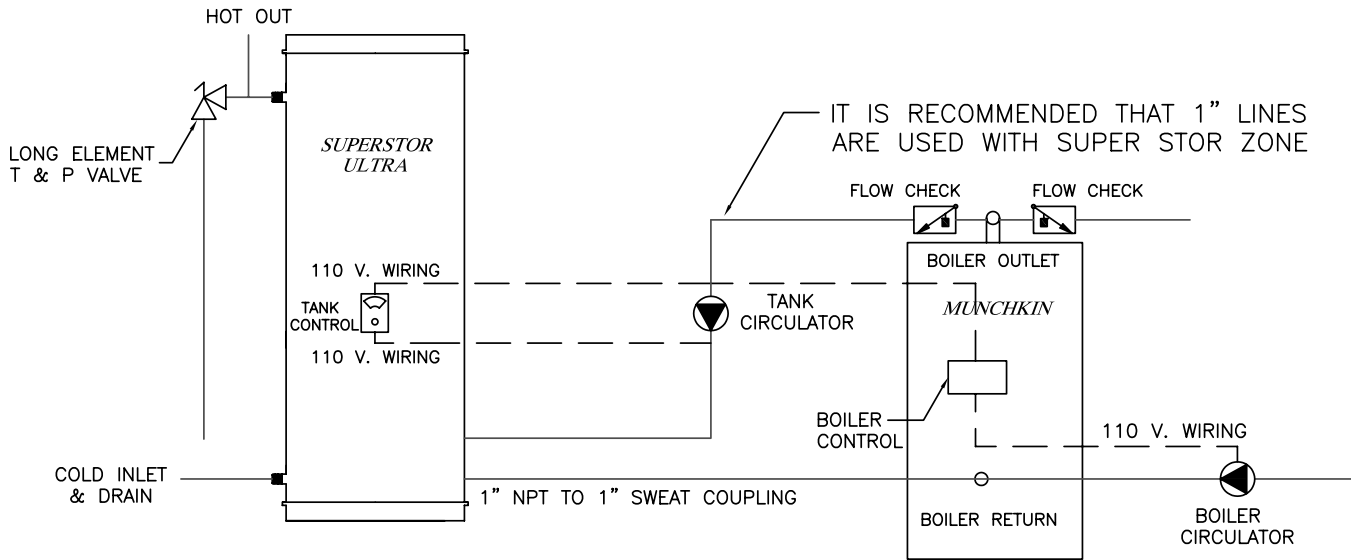


TYPICAL INSTALLATION USING ZONE VALVES



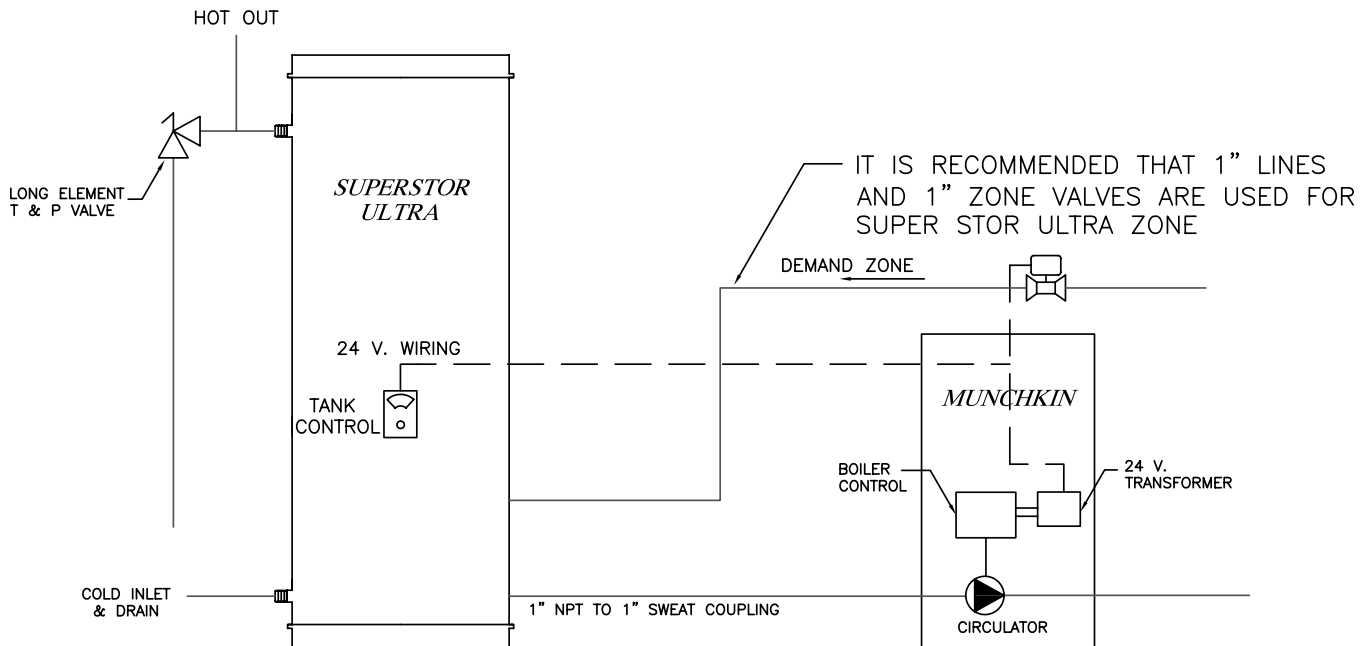
NOTE: IF A BACK FLOW PREVENTER OR A NO RETURN VALVE IS INSTALLED, A THERMAL EXPANSION TANK IS REQUIRED ON THE COLD WATER INLET BETWEEN THE SUPERSTOR ULTRA AND THE BACKFLOW PREVENTER.

TYPICAL INSTALLATION USING CIRCULATORS



NOTE: IF A BACKFLOW PREVENTER OR A NO RETURN VALVE IS INSTALLED, A THERMAL EXPANSION TANK IS REQUIRED ON THE COLD WATER INLET BETWEEN THE SUPER STOR ULTRA AND THE BACKFLOW PREVENTER.

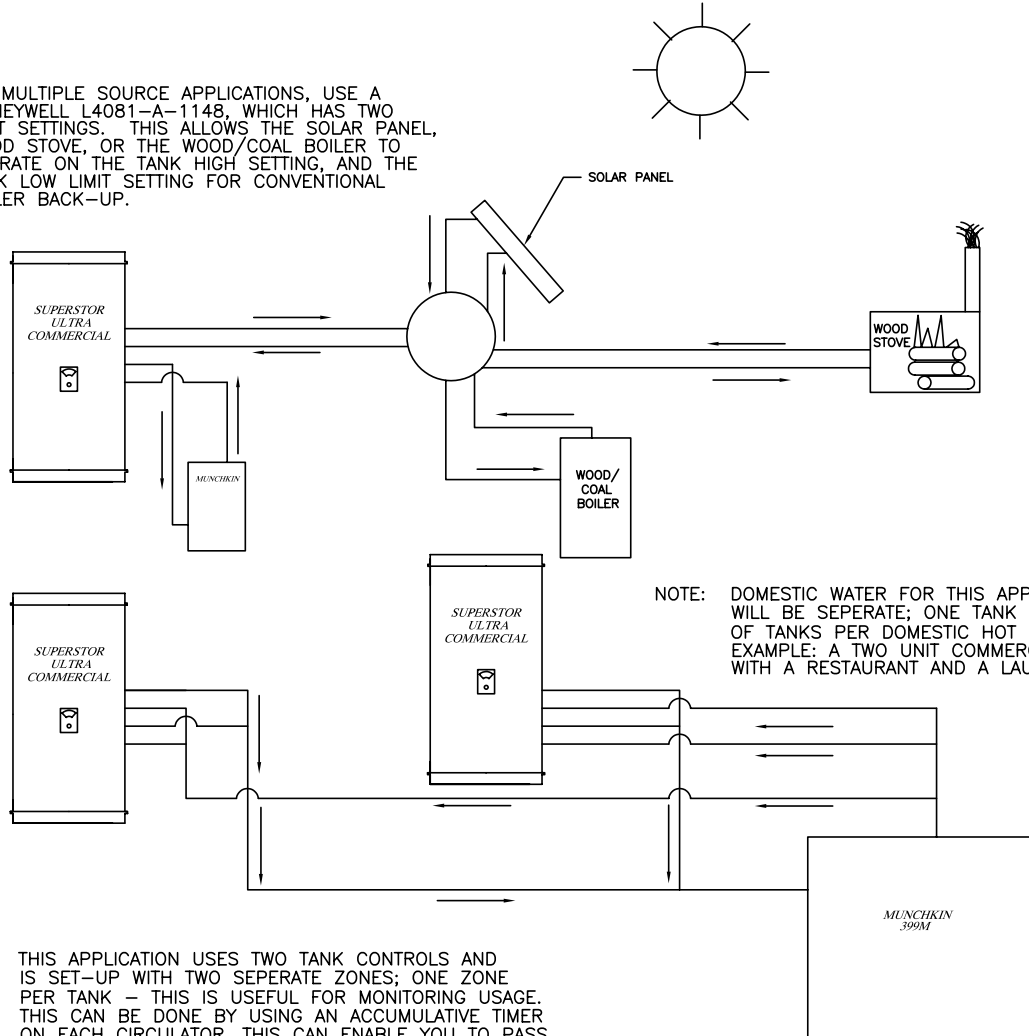
TYPICAL INSTALLATION USING A ZONE VALVE (3-WAY)



NOTE: IF A BACKFLOW PREVENTER OR A NO RETURN VALVE IS INSTALLED, A THERMAL EXPANSION TANK IS REQUIRED ON THE COLD WATER INLET BETWEEN THE SUPER STOR ULTRA AND THE BACKFLOW PREVENTER.

TYPICAL DP INSTALLATIONS

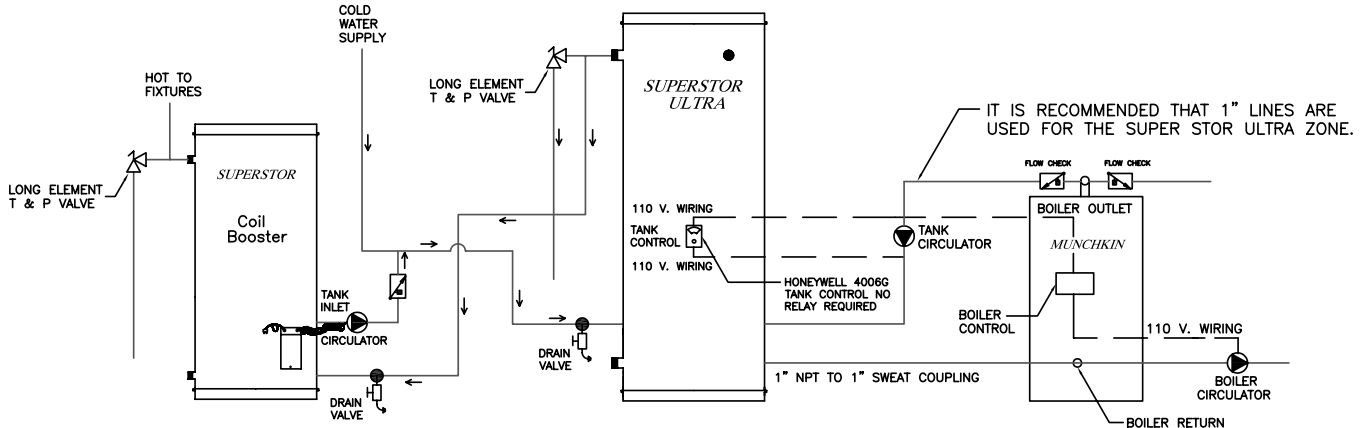
NOTE: ON MULTIPLE SOURCE APPLICATIONS, USE A HONEYWELL L4081-A-1148, WHICH HAS TWO LIMIT SETTINGS. THIS ALLOWS THE SOLAR PANEL, WOOD STOVE, OR THE WOOD/COAL BOILER TO OPERATE ON THE TANK HIGH SETTING, AND THE TANK LOW LIMIT SETTING FOR CONVENTIONAL BOILER BACK-UP.



NOTE: DOMESTIC WATER FOR THIS APPLICATION WILL BE SEPERATE; ONE TANK OR BANK OF TANKS PER DOMESTIC HOT SUPPLY LINE. EXAMPLE: A TWO UNIT COMMERCIAL BUILDING WITH A RESTAURANT AND A LAUNDROMAT.

NOTE: THIS APPLICATION USES TWO TANK CONTROLS AND IS SET-UP WITH TWO SEPERATE ZONES; ONE ZONE PER TANK - THIS IS USEFUL FOR MONITORING USAGE. THIS CAN BE DONE BY USING AN ACCUMULATIVE TIMER ON EACH CIRCULATOR. THIS CAN ENABLE YOU TO PASS ALONG FUEL COST ADJUSTMENTS IN A MULTI-USAGE RENTAL PROPERTY.

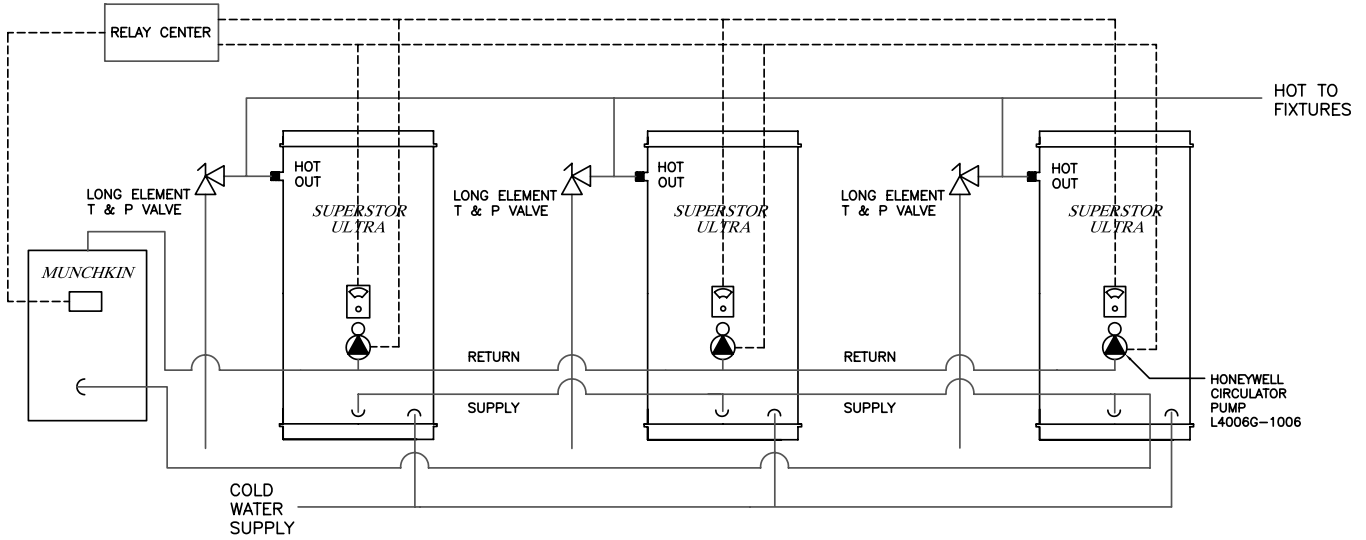
SUPERSTOR WITH STORAGE TANK TYPICAL INSTALLATION



NOTE: IF A BACKFLOW PREVENTER OR A NO RETURN VALVE IS INSTALLED, A THERMAL EXPANSION TANK IS REQUIRED ON THE COLD WATER INLET BETWEEN THE SUPER STOR ULTRA AND THE BACKFLOW PREVENTER.

MULTIPLE TANK INSTALLATIONS

**NOTE: The State of Massachusetts requires a limit of four tanks per mechanical room. Consult with local inspector.**



NOTE: ALL PIPING IN PARALLEL USED FOR LARGE DUMPS OF HOT WATER; HIGH USAGE, SHORT DURATION.

TYPICAL STEAM BOILER

Note: The SuperStor Indirect Heat Exchanger Supply and Return Connection must be above the water line from the boiler connection. The internal flow check or spring check must be used to avoid thermal siphoning from the connected boiler. A basket strainer should also be used to avoid sludge and sediment getting into the pump or heat exchanger.

