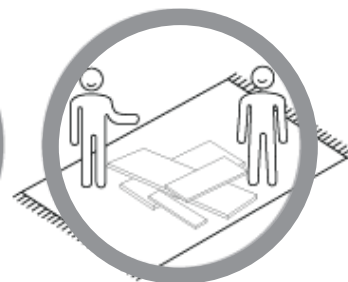
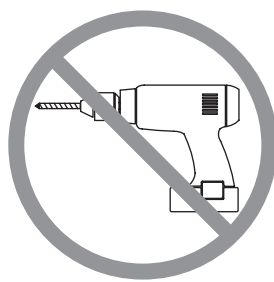
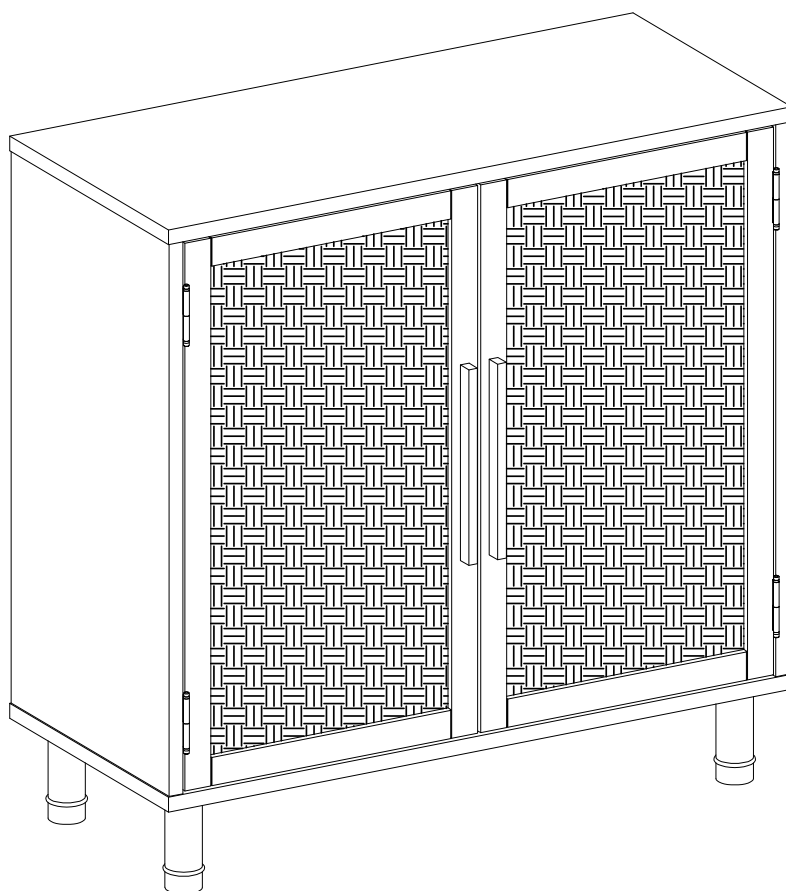


# ASSEMBLY INSTRUCTIONS

## HOPPER STUDIO

PRODUCT NAME : Delancey 2-door Cabinet  
 DIMENSIONS : 34" L x 15" W x 34" H  
 ITEM NO. : 7161LN586CUV69 (Natural Light Finish)  
 7161BK586CUV69 (Black Finish)

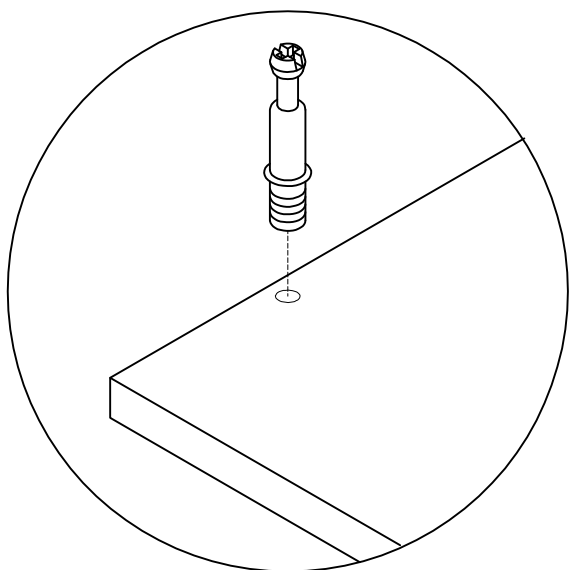


1. Check for damaged or missing parts . Call 1-800-696-8446 to order missing supplies.
2. Use a soft surface or the carton as a working surface to prevent damage during assembly.
3. It is recommended to have 2 adults on hand for assembly.
4. Gather all tools prior to assembly.
5. **WARNING!** When included, anti-tipping hardware **MUST** be installed for your safety.

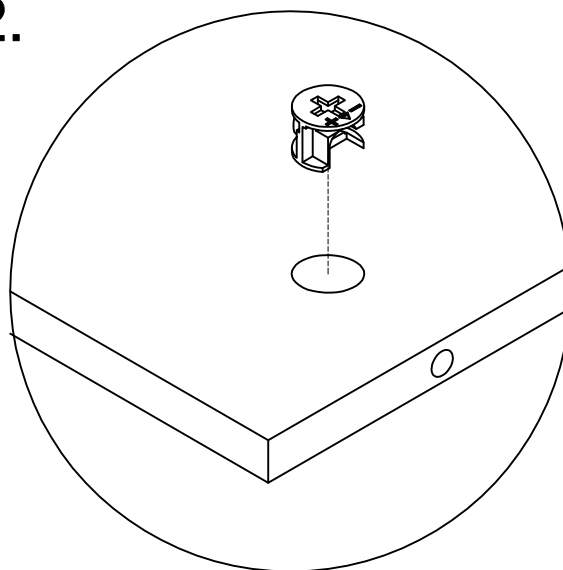
# how to use cam lock system

.....

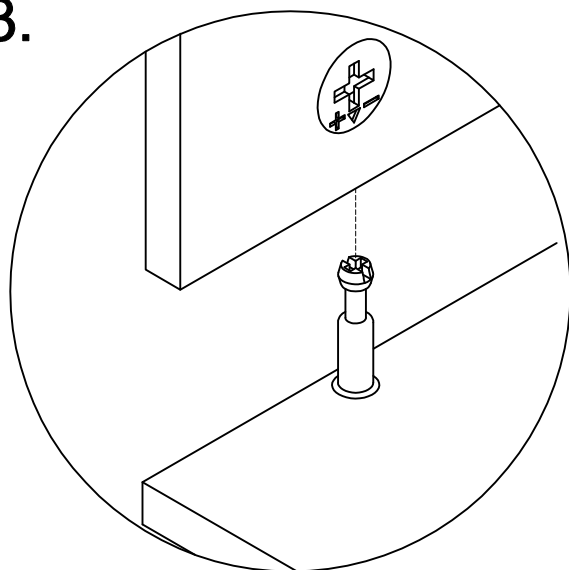
1.



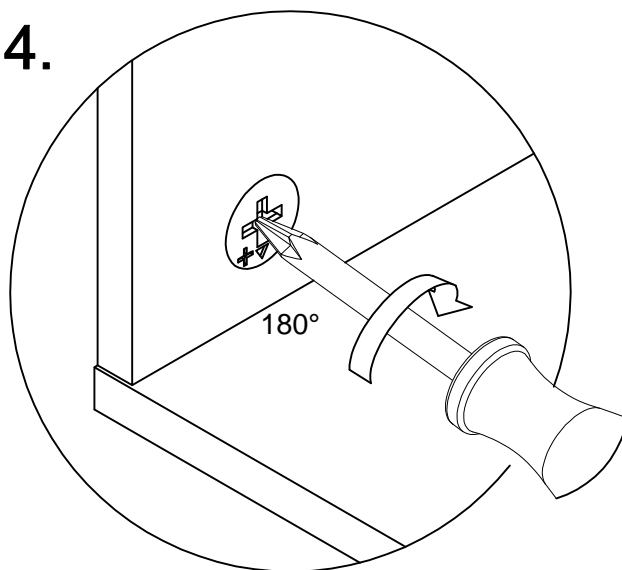
2.



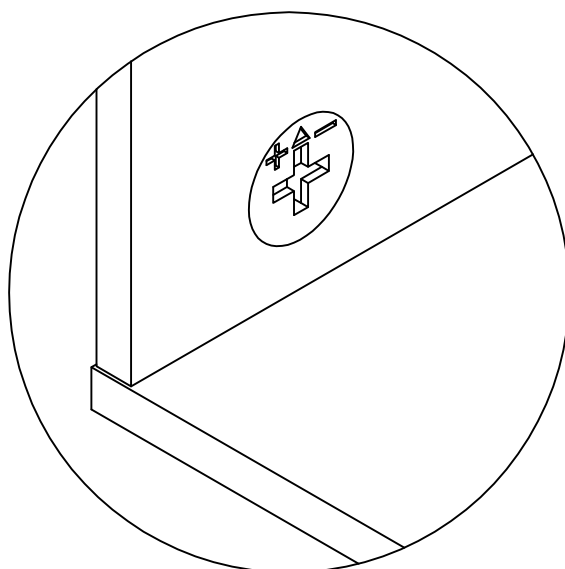
3.

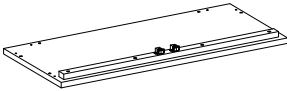
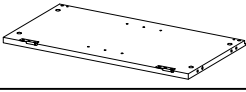
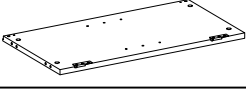
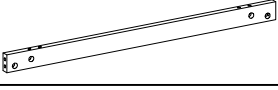
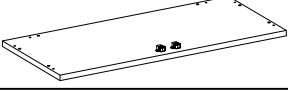
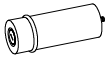
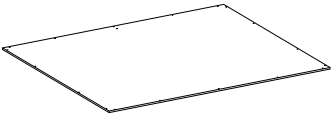
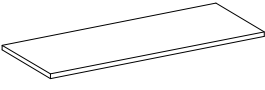

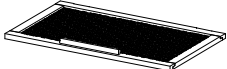
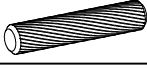
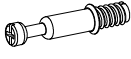


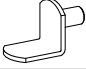
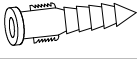






4.

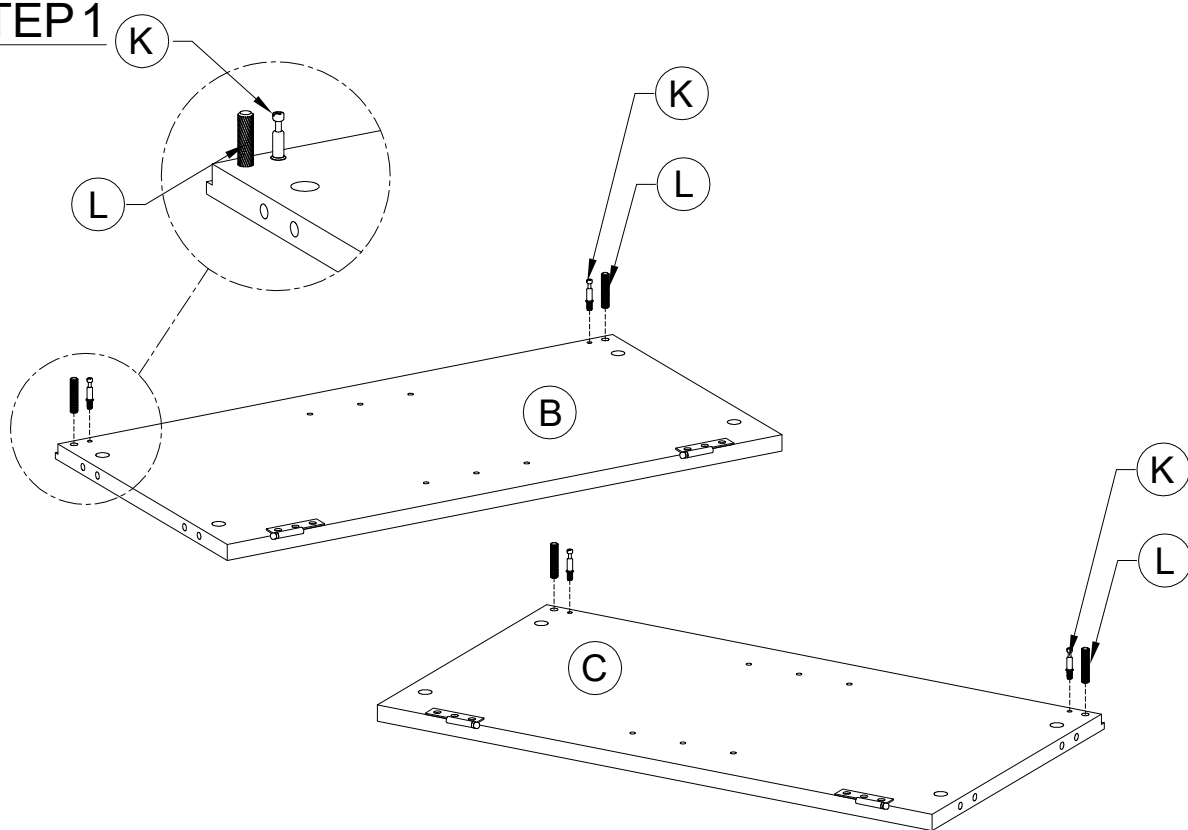


5.

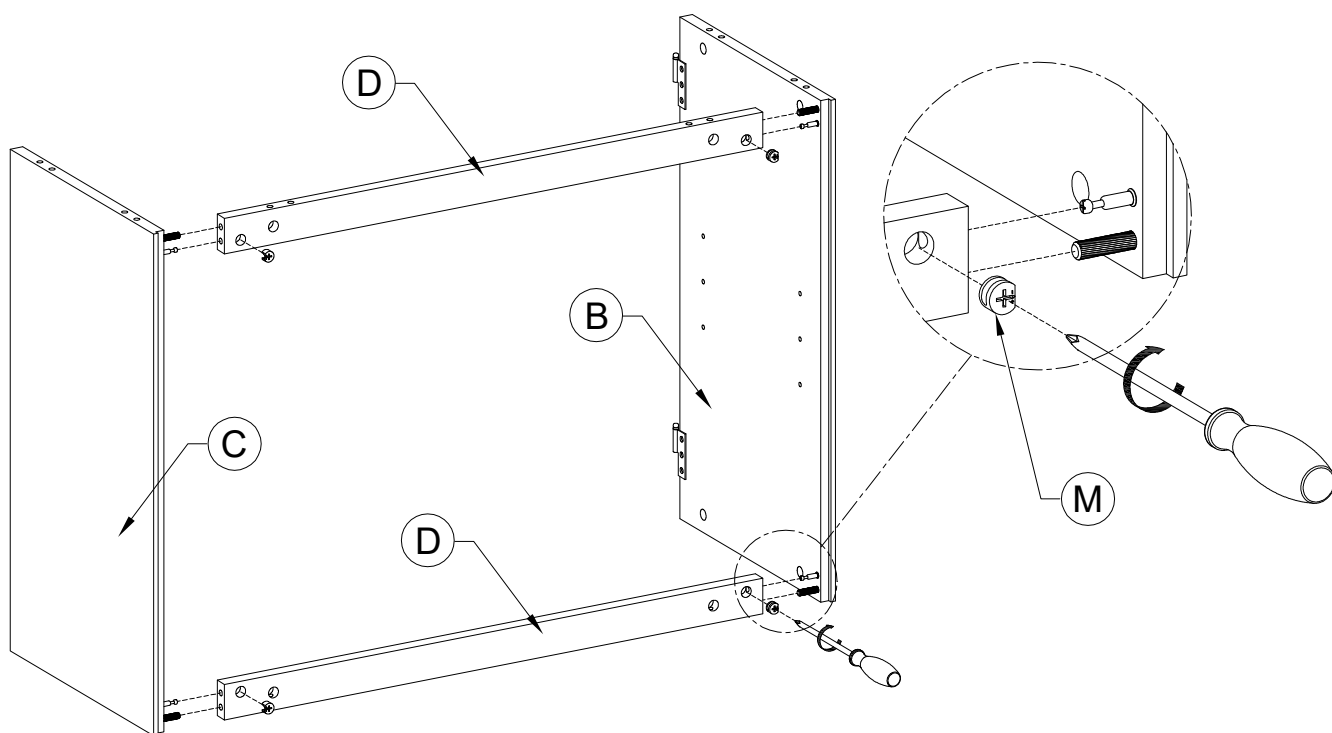


PARTS LIST:			QTY
A	Top Panel		1pc
B	Left Side Panel		1pc
C	Right Side Panel		1pc
D	Back Rail		2pcs
E	Bottom Panel		1pc
F	Leg		4pcs
G	Back Panel		1pc
H	Shelf Panel		1pc
I	Left Door		1pc
J	Right Door		1pc
HARDWARE :			QTY
K	Wooden Dowel Ø8x40mm		16pcs
L	Cam Lock Bolt		16pcs
M	Cam Lock		16pcs
N	Umbrella Screw with washer 5/8"		18pcs
O	Shelf Pin		4pcs
P	Plastic Anchor		1pc
Q	Bracket		2pcs
R	Flat Head Screw 1"		1pc
S	Flat Head Screw 1/2"		1pc
T	Cable		1pc

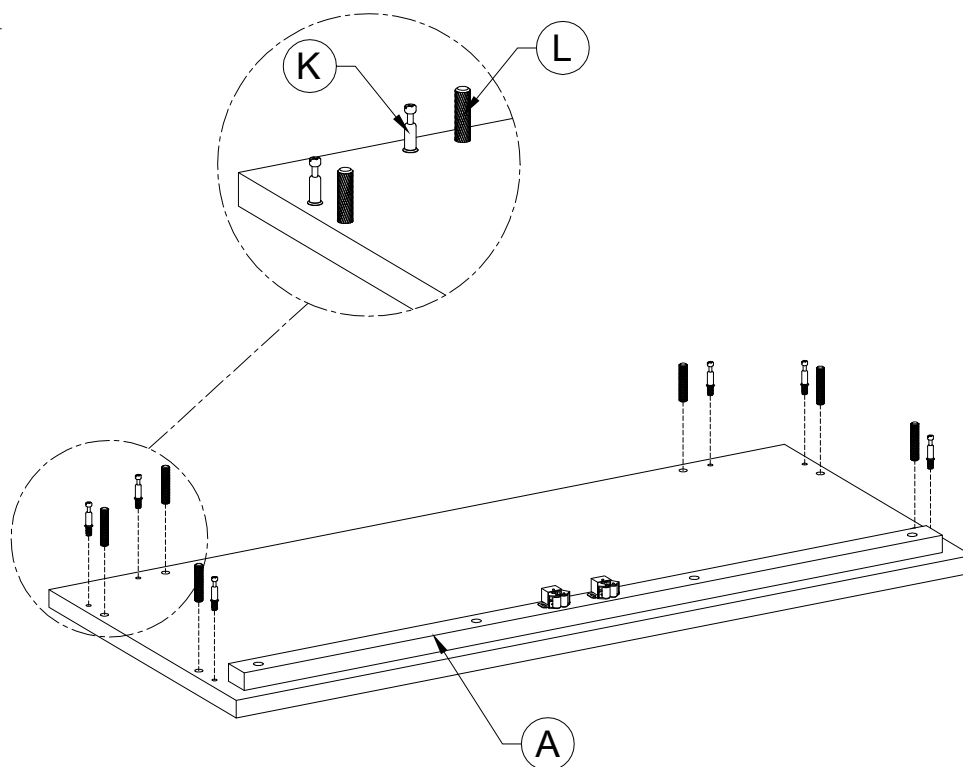
**STEP 1**



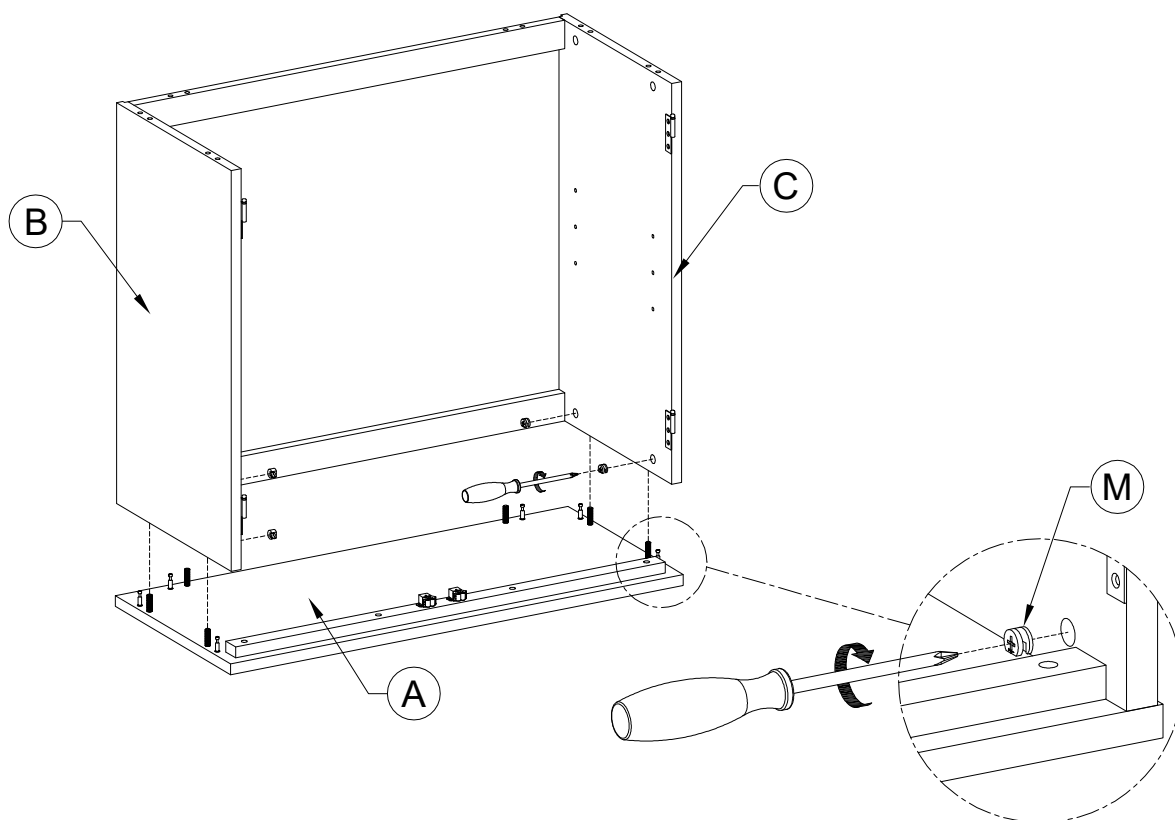
**STEP 2**



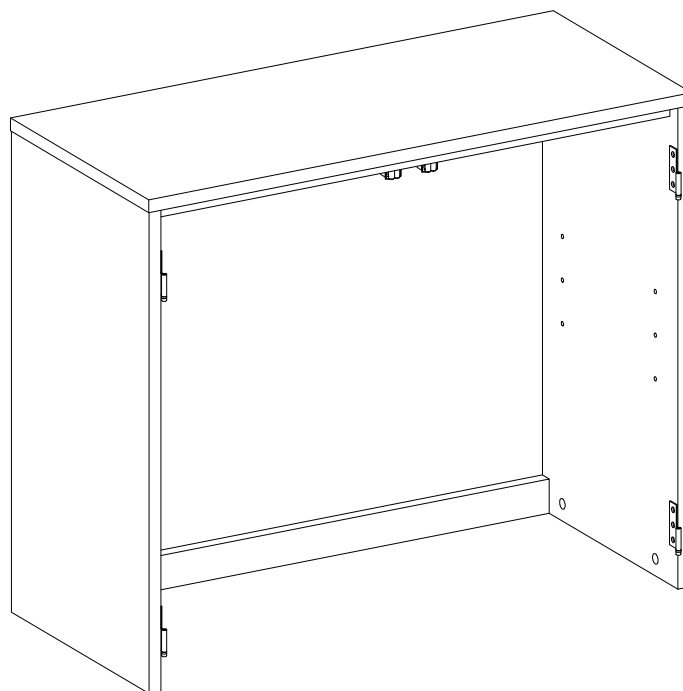
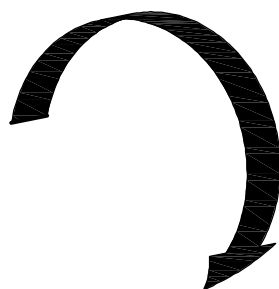
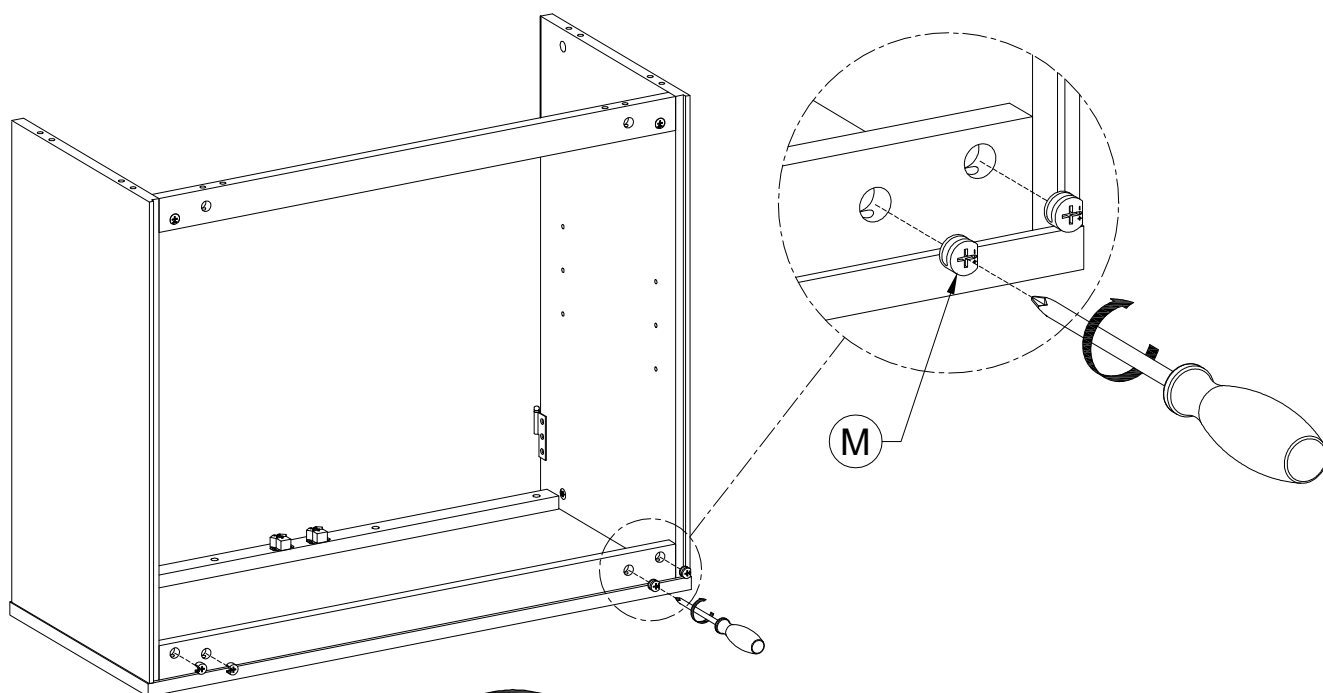
### STEP 3



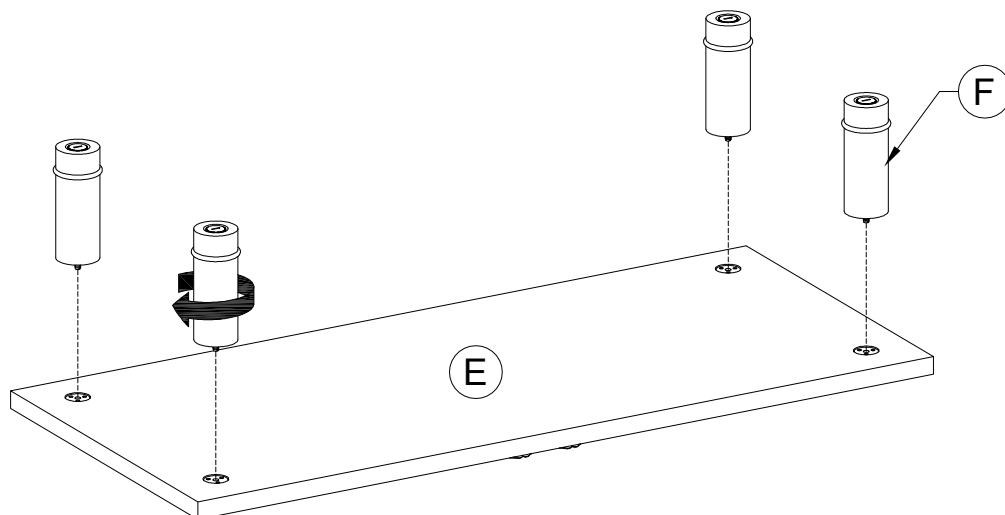
### STEP 4



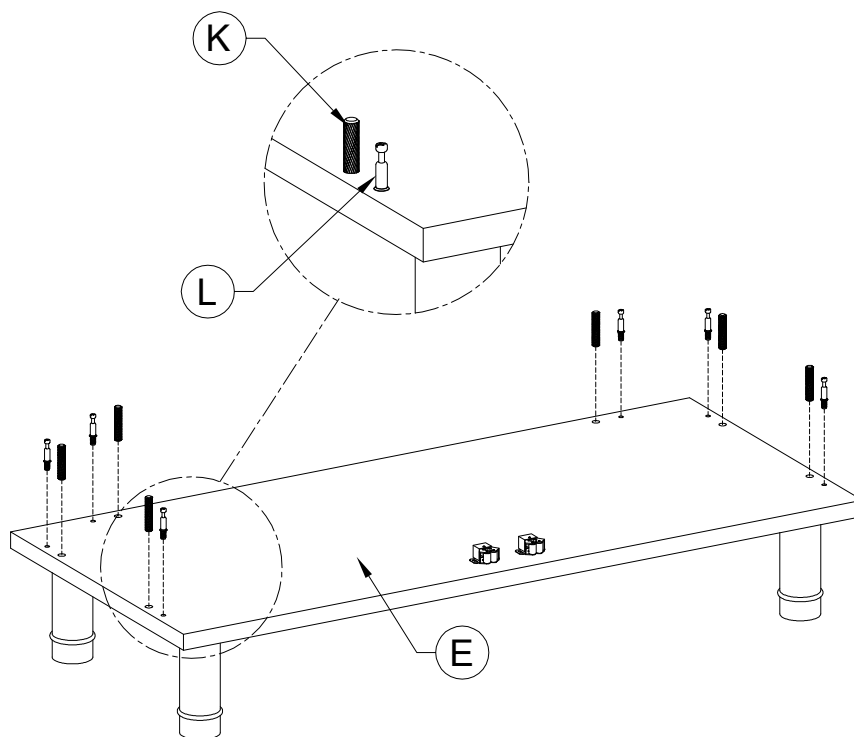
# STEP 5



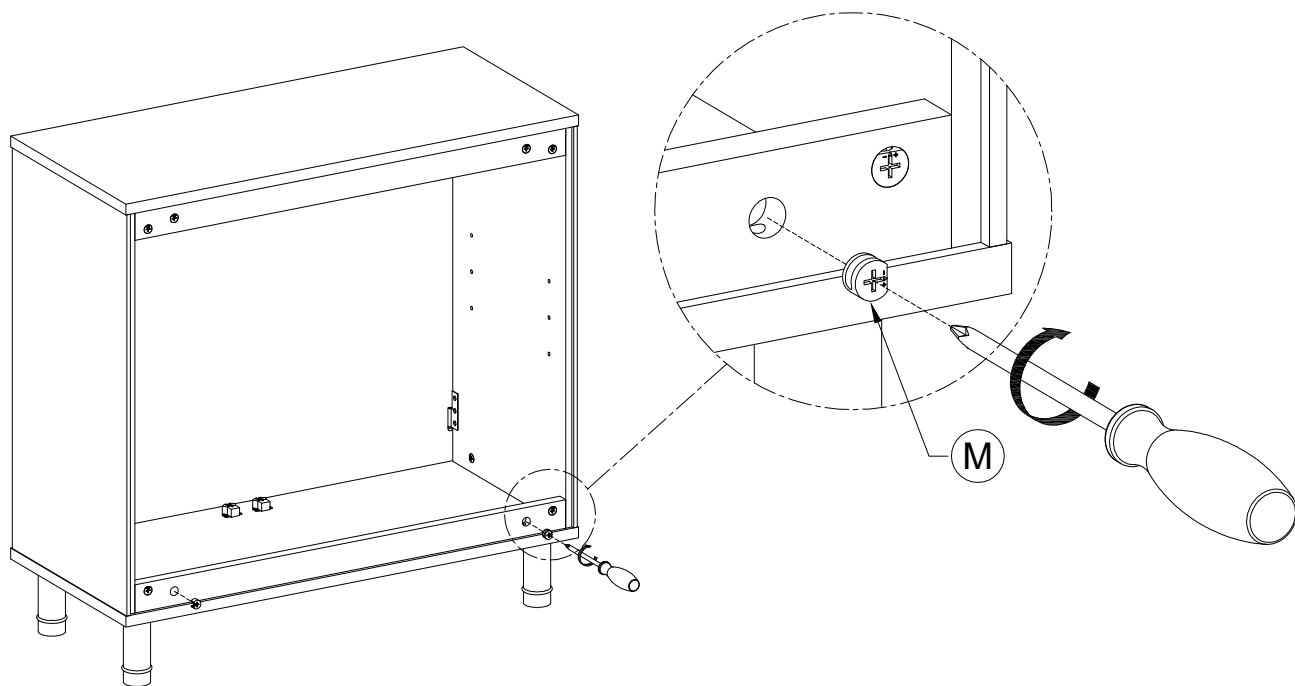
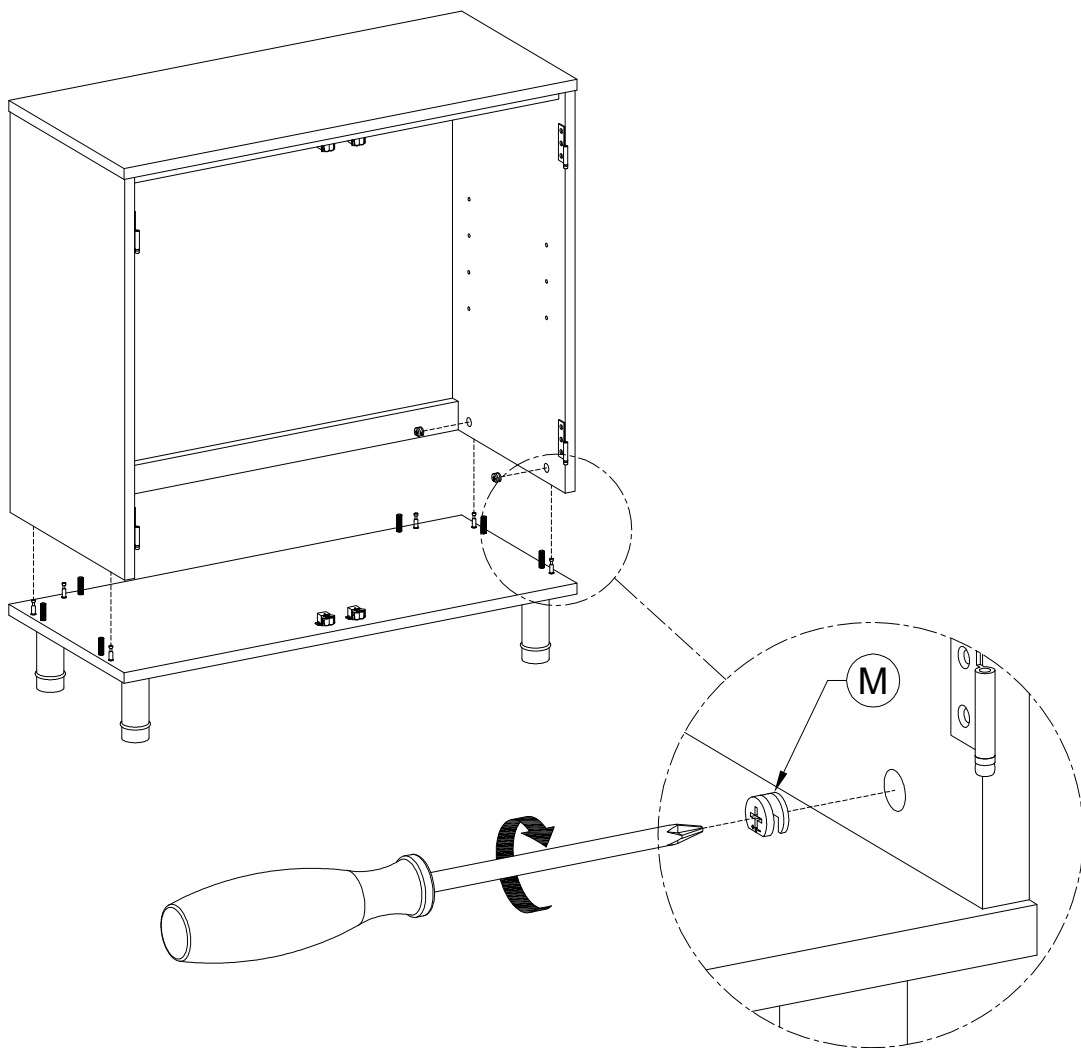
# STEP 6



# STEP 7

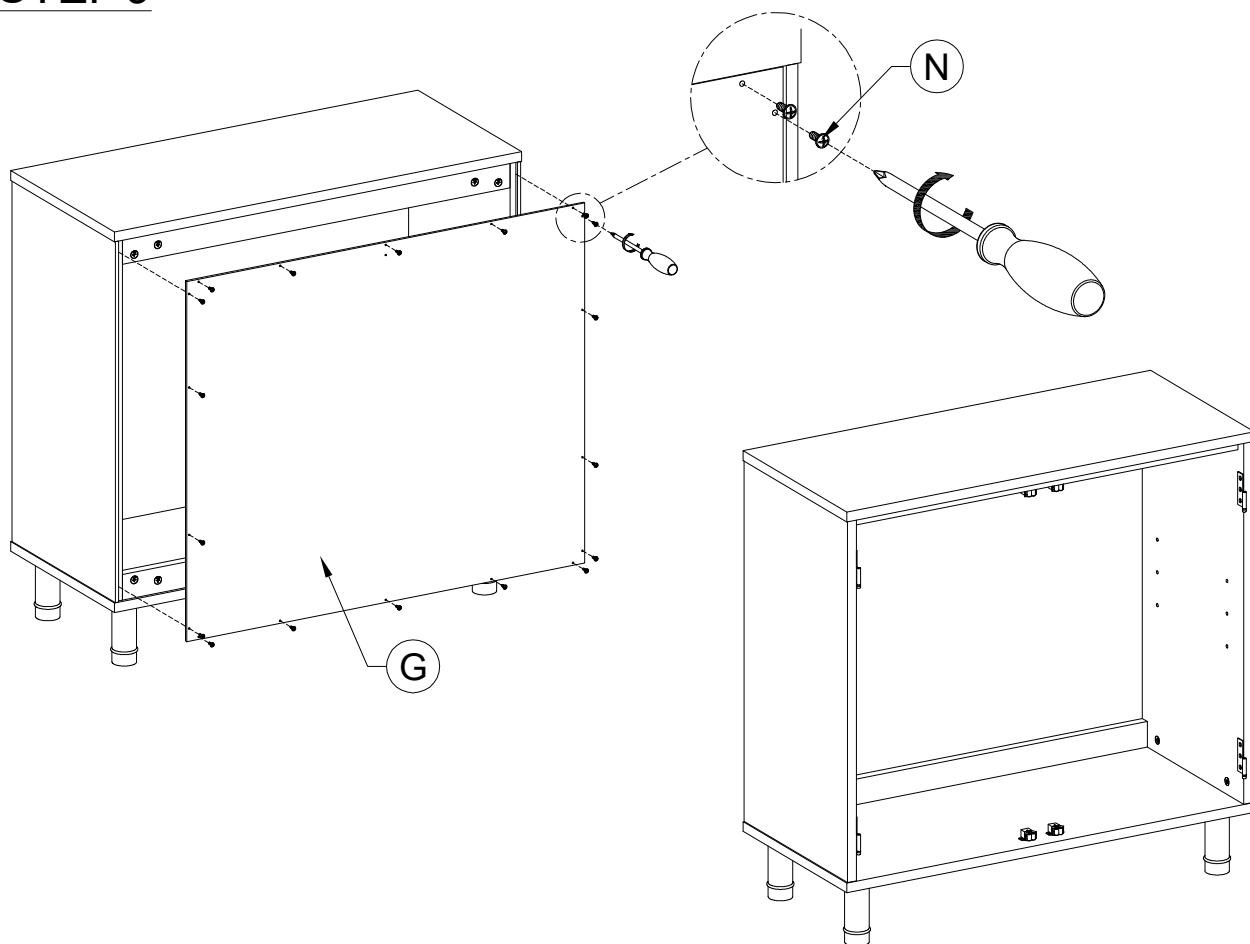


# STEP 8

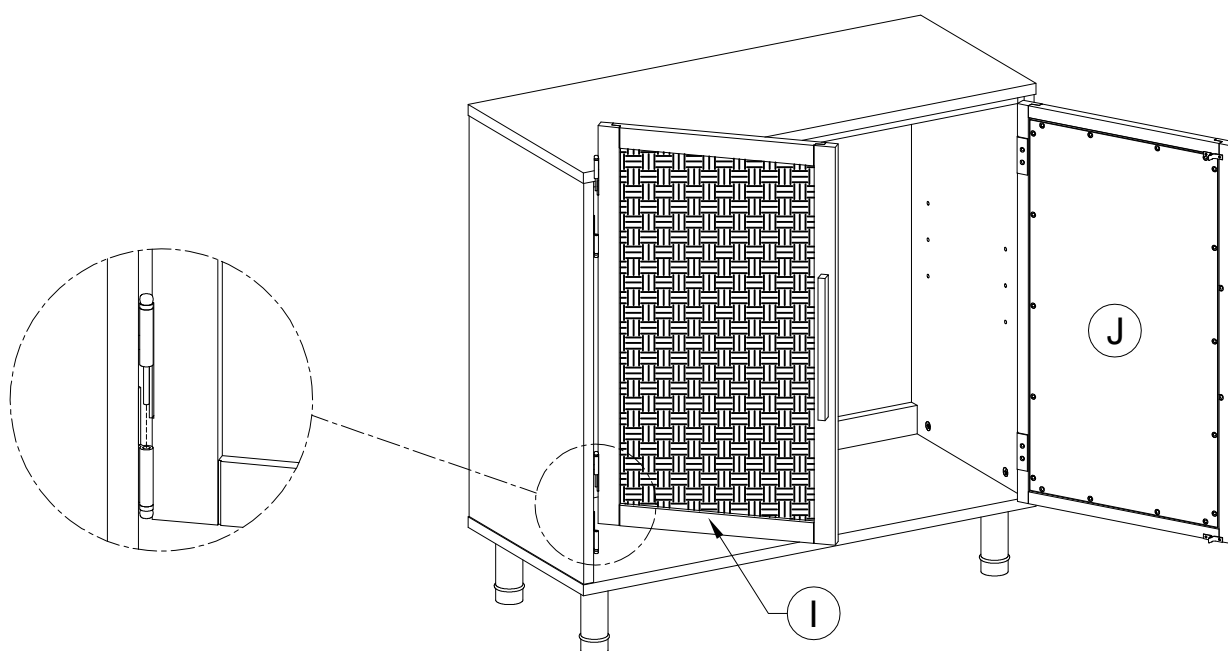




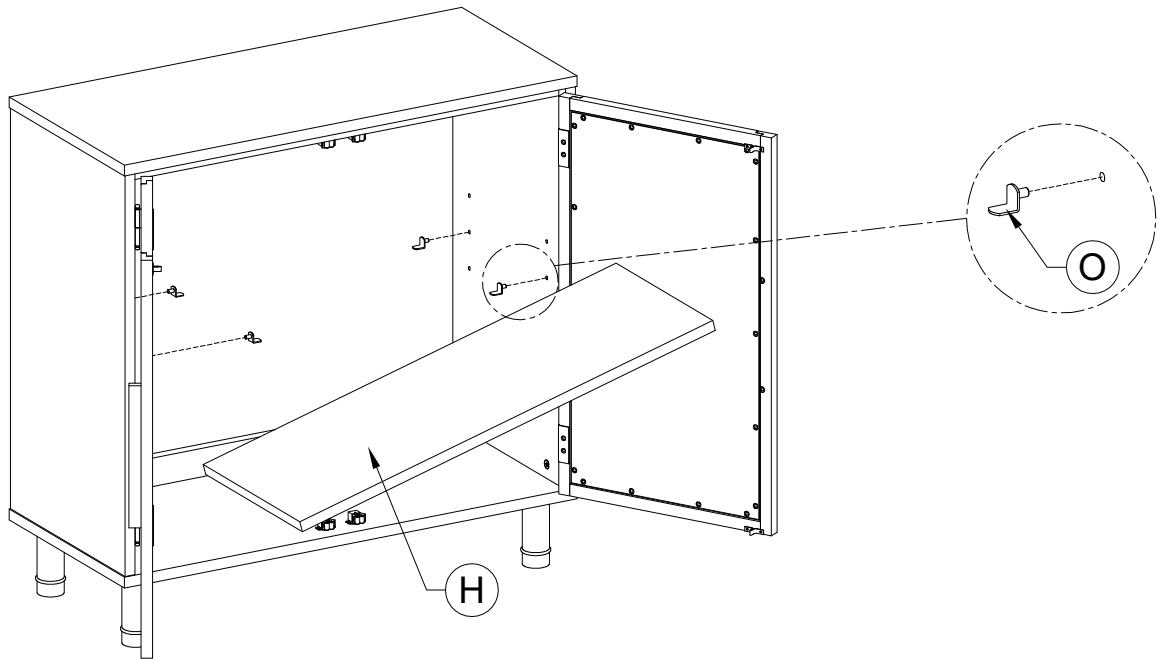
# STEP 9



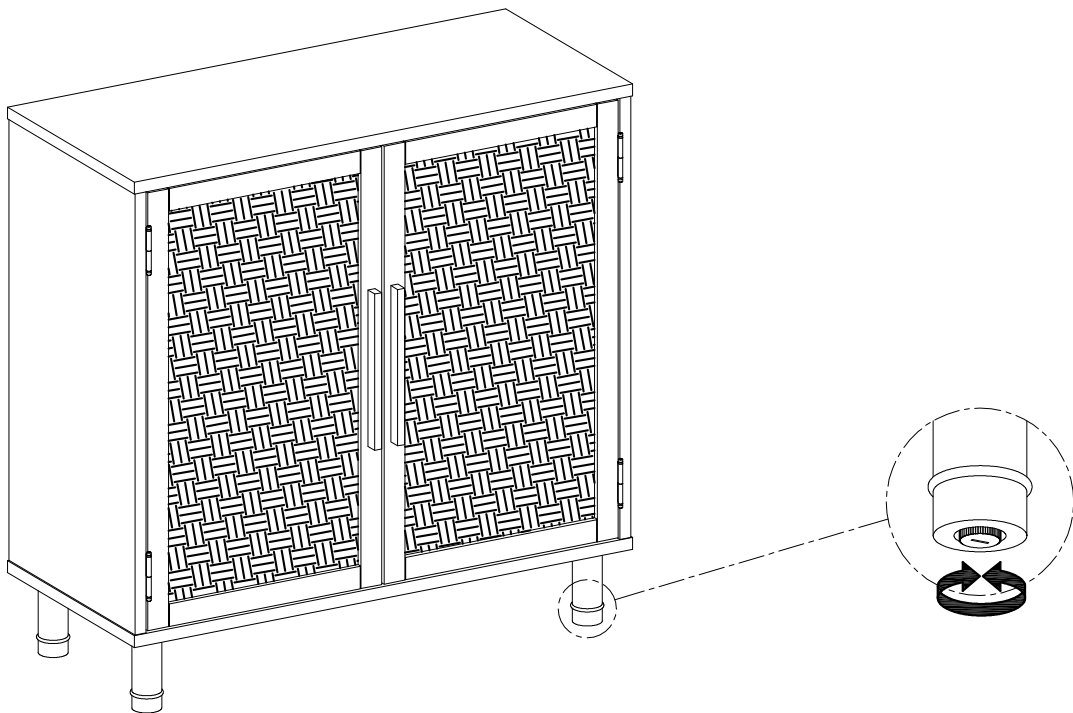
# STEP 10



## STEP 11

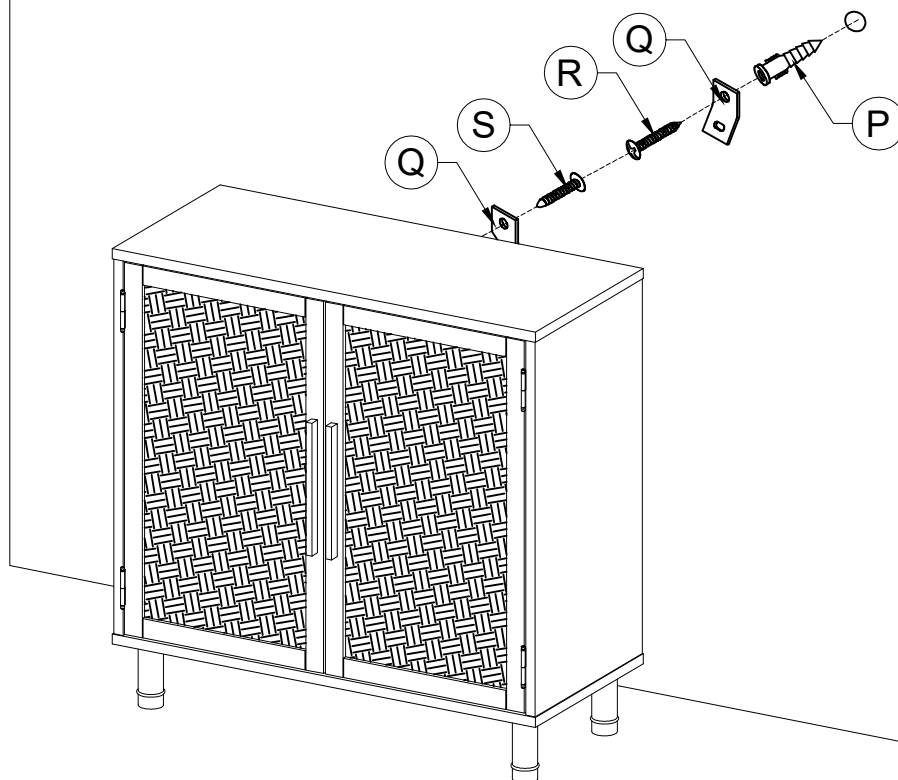


## STEP 12



Note: adjust levelers on an uneven floor.

## STEP 13



Note: The long screw included is suitable for most wall situations.  
Use appropriate screw for your application. Do not overtightened the cable.  
**WARNING!** Anti-tipping hardware **MUST** be installed for your safety.

## STEP 14

