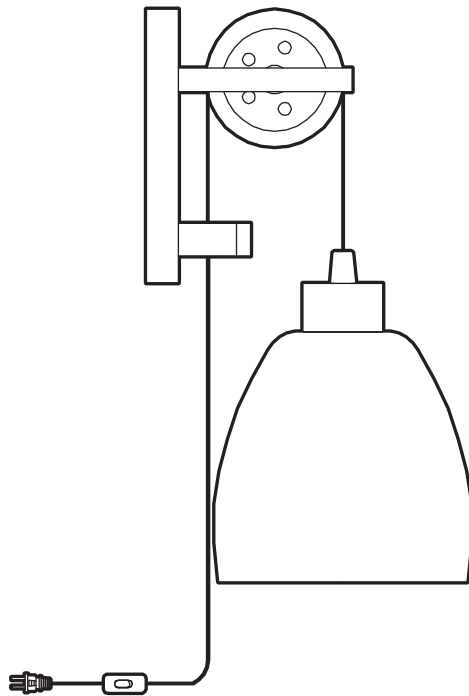


USE AND CARE GUIDE

PULLEY 1-LIGHT SCONCE



Questions, problems, missing parts? Before returning to the store,
call Home Decorators Collection Customer Service
8 a.m. – 7 p.m., EST, Monday – Friday, 9 a.m. – 6 p.m., EST, Saturday

1-800-986-3460

HOMEDPOT.COM/HOMEDECORATORS

THANK YOU


We appreciate the trust and confidence you have placed in Home Decorators Collection through the purchase of this light fixture. We strive to continually create quality products designed to enhance your home. Visit us online to see our full line of products available for your home improvement needs. Thank you for choosing Home Decorators Collection!

Table of Contents

Table of Contents.....	2	Tools Required	3
Safety Information.....	2	Hardware Included.....	3
Warranty.....	2	Package Contents	4
What is Covered.....	2	Installation	5
What is Not Covered	2	Care and Cleaning	6
Pre-installation	3	Troubleshooting.....	6
Planning Installation	3		

Safety Information

- Consult a qualified electrician with any electrical questions you may have.

 **IMPORTANT:** Inspect the wire insulation for any cuts, abrasions, or exposed copper that may have occurred during shipping. If there is a defect in the wire, do not continue the assembly process. Please call our Customer Service Team at 1-800-986-3460.

Warranty

1-YEAR LIMITED WARRANTY

WHAT IS COVERED

The manufacturer warrants this lighting fixture to be free from defects in the materials and workmanship for a period of one (1) year from date of purchase. This warranty applies only to the original consumer purchaser and only to products used in normal use. If this product is found to be defective, the manufacturer's only obligation, and your exclusive remedy, is the repair or replacement of the product at the manufacturer's discretion, provided that the product has not been damaged through misuse, abuse, accident, modifications, alterations, neglect or mishandling. This warranty shall not apply to any product that is found to have been improperly installed, assembled, or used in any way not in accordance with the instructions supplied with the product. This warranty shall not apply to a failure of the product as a result of an accident, misuse, abuse, negligence, alteration, faulty installation, or any other failure not relating to faulty material or workmanship.

WHAT IS NOT COVERED

This warranty shall not apply to the finish on any portion of the product due to weathering, as this is considered normal wear. The manufacturer does not warrant and specifically disclaims any warranty, whether expressed or implied, other than the warranty contained herein. The manufacturer specifically disclaims any liability and shall not be liable for any consequential or incidental loss or damage, including but not limited to, any labor or expense costs involved in the replacement or repair of the product.

Contact the Customer Service Team at 1-800-986-3460 or visit www.HomeDepot.com/HomeDecorators.

Pre-installation

PLANNING INSTALLATION

Read all instructions before assembly and installation.

To avoid damaging this product, assemble it on a soft, non-abrasive surface such as carpet or cardboard. Inspect each part for defects that may have occurred during shipping.

Keep your receipt and these instructions for proof of purchase.

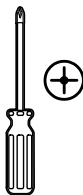


NOTE: This light fixture requires the use of one 120V, 60HZ, 60-Watt max, medium-base Edison bulb (included). Do not exceed the recommended wattage.

TOOLS REQUIRED



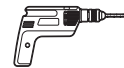
Safety goggles



Phillips screwdriver



Flathead screwdriver



Drill



Ladder

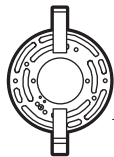
HARDWARE INCLUDED



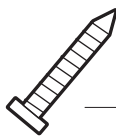
NOTE: Hardware not shown to actual size.



AA



BB



CC

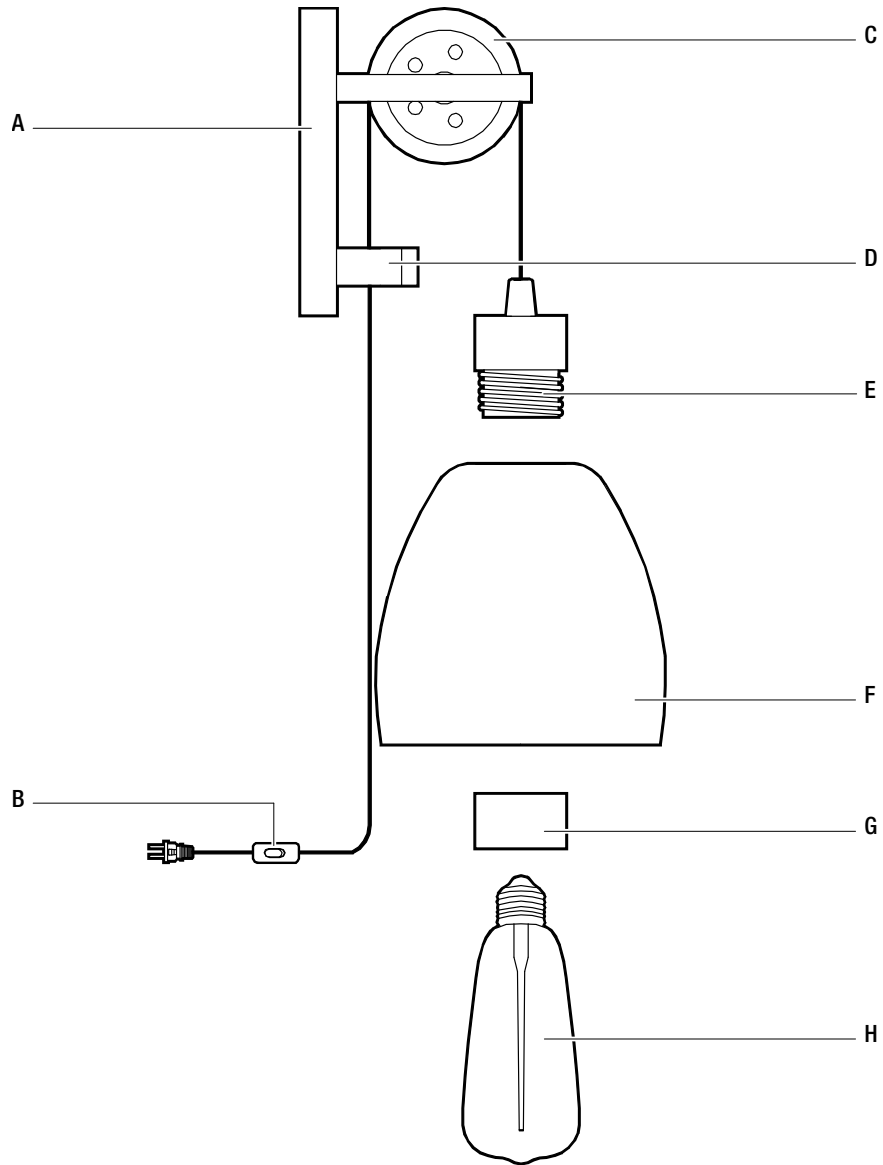


DD

Part	Description	Quantity
AA	Plastic anchor	2
BB	Mounting plate	1
CC	Wood screw	2
DD	Small screw	1

Pre-installation (continued)

PACKAGE CONTENTS



Part	Description	Quantity
A	Backplate	1
B	Switch	1
C	Wheel	1
D	Knob	1
E	Socket	1
F	Glass shade	1
G	Socket ring	1
H	Edison bulb	1

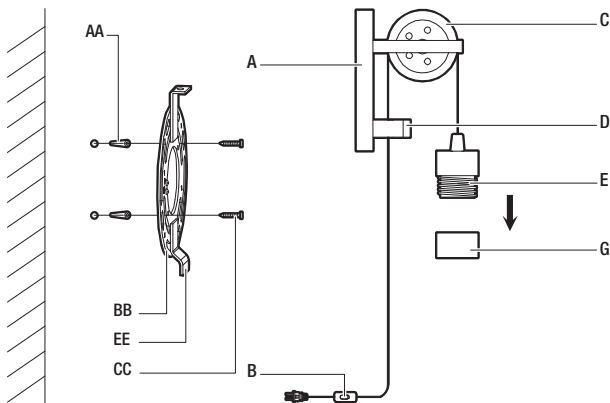
Installation

1 Preparing the fixture and installing the mounting plate



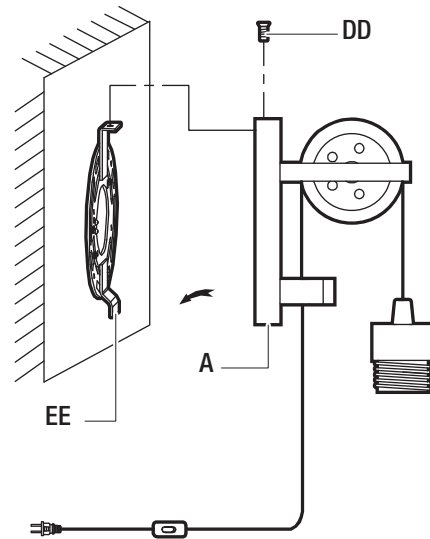
CAUTION: Ensure the power is off at the main fuse box prior to beginning installation.

- Turn off the switch at the wall and turn the power off at the main fuse box.
- Unscrew the socket ring (G) from the socket (E).
- Position the backplate (A) on the wall at the desired location and mark the wood screw (CC) locations.
- Drill pilot holes on the marked spots and insert plastic anchors (AA). (If fastening with wood screws (CC) to studs, skip this step.)
- Attach the mounting plate (BB) to the wall with two wood screws (CC). Make sure the mounting bracket (EE) is facing up and down as shown.



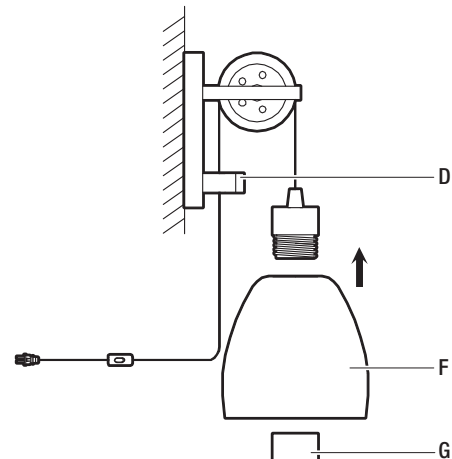
2 Hanging the lamp

- Raise the backplate (A) to the wall, insert the mounting bracket (EE) into the slot in the backplate (A), and then secure the backplate (A) to the wall with the small screw (DD).



3 Assembling the glass shade

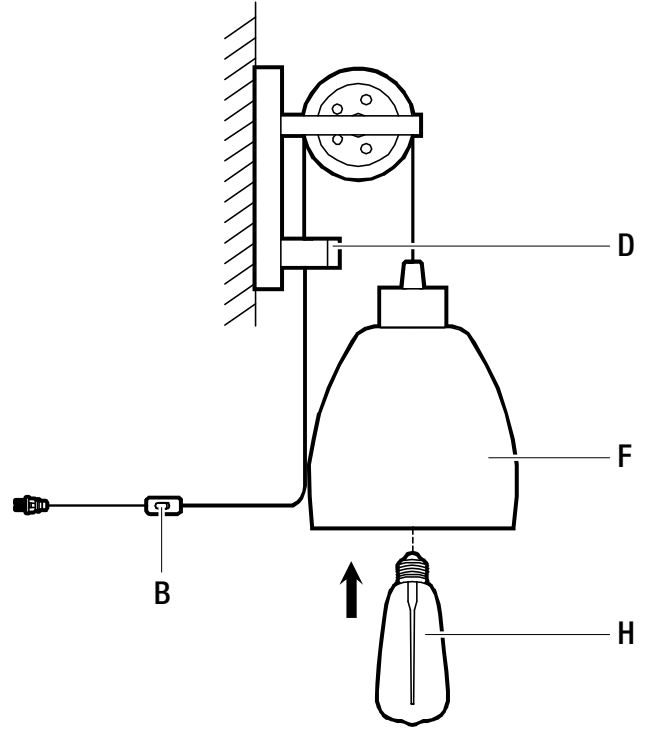
- Place the glass shade (F) over the socket and secure with the socket ring (G).



Installation (continued)

4 Installing the bulb and adjusting the height

- Prior to installing the bulb, inspect the socket for a silica packet. If a packet is present, remove and throw away. Do not expose it to children or pets.
- Install the 120V, 60HZ, 60-watt max. medium-base Edison bulb (H) (included) in the socket of the light fixture.
- Ensure the glass shade (F) is cool to the touch, and adjust the height of the fixture as desired by loosening the knob (D). Once the desired height is achieved, tighten the knob (D).
- Plug the cord into an outlet and turn on at the switch (B).



Care and Cleaning

- Clean the light fixture with a soft, dry cloth. Do not use any cleaners with chemicals, solvents, or harsh abrasives.

Troubleshooting

Problem	Possible Cause	Solution
The bulb will not light.	□ The bulb is burned out.	□ Replace the light bulb.
	□ The power is off.	□ Ensure that the power supply is turned on.
	□ There is a faulty wire connection.	□ Check the wiring.
	□ The circuit breaker is off.	□ Ensure that the circuit breaker is set to the On position.
The fuse blows or a circuit breaker trips when the light is turned on.	□ There is an exposed wire.	□ Discontinue use of the light fixture. □ Contact a qualified electrician or call the Customer Service Team at 1-800-986-3460.
	□ There are too many items on one circuit.	□ Unplug other items on the circuit.

HOME DECORATORS COLLECTION

Questions, problems, missing parts? Before returning to the store,
call Home Decorators Collection Customer Service
8 a.m. – 7 p.m., EST, Monday – Friday, 9 a.m. – 6 p.m., EST, Saturday

1-800-986-3460

[HOMEDEPOT.COM/HOMEDECORATORS](https://www.homedepot.com/homedecorators)

Retain this manual for future use.