

RYOBI
Power Head
Item No. RY40007
Mfg No. 315580001
Repair Sheet

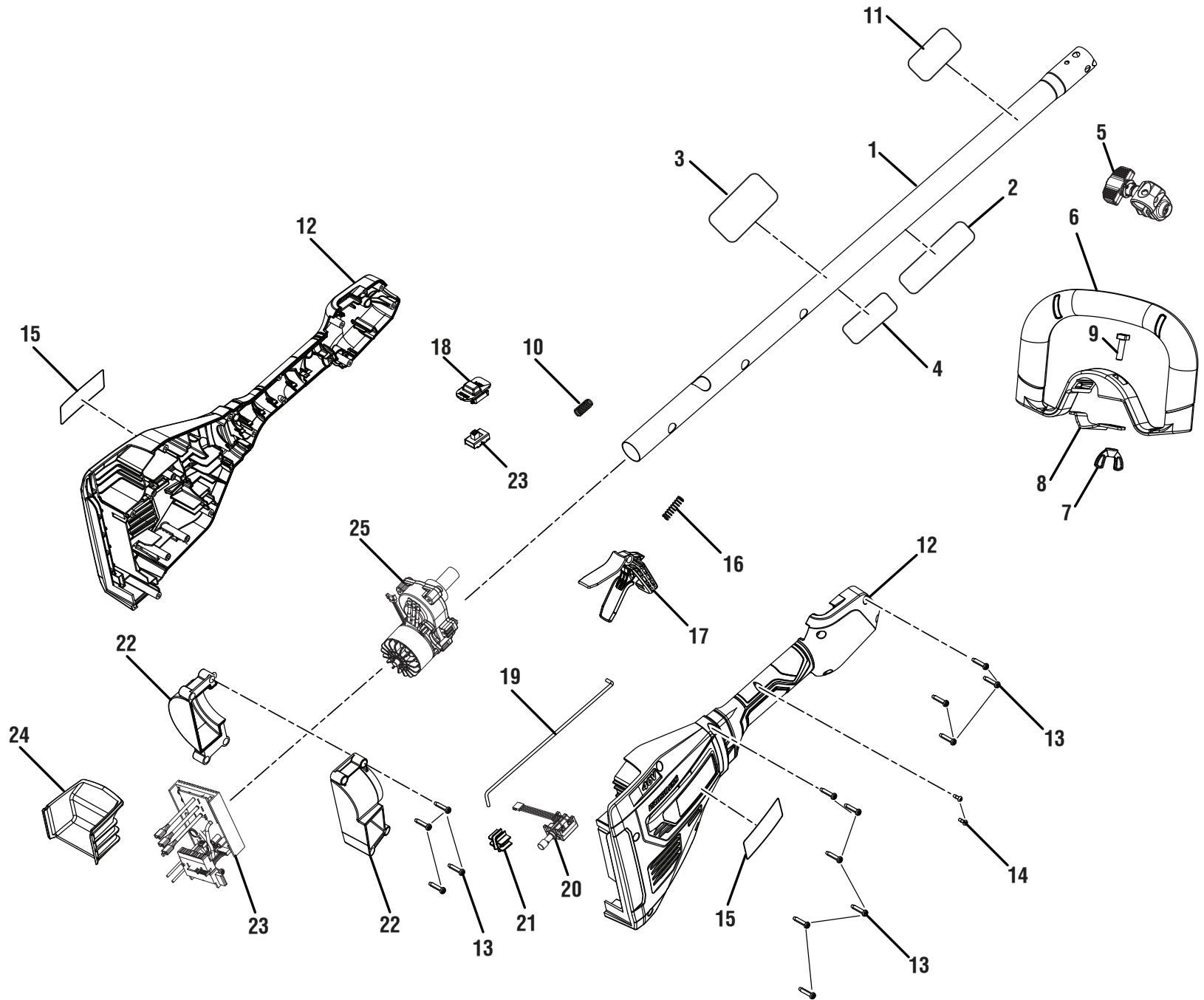
TECHTRONIC INDUSTRIES POWER EQUIPMENT

P.O. Box 1288, Anderson, SC 29622

Phone 1-800-860-4050

www.ryobitools.com

RYOBI POWER HEAD – ITEM NO. RY40007



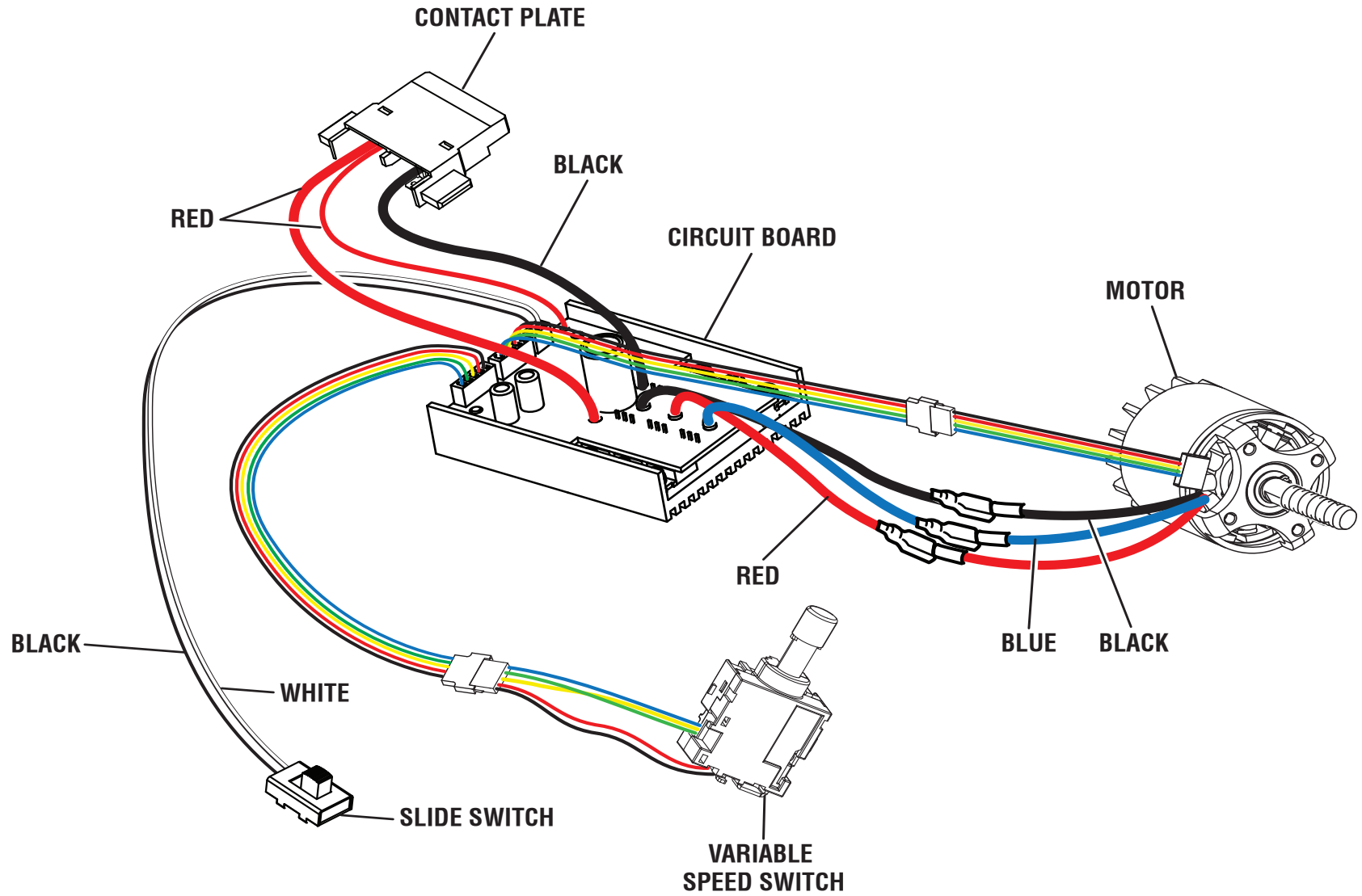
RYOBI POWER HEAD – ITEM NO. RY40007

The item and manufacturing number will be found on a label attached to the boom assembly. Always mention the item and manufacturing number of your **POWER HEAD** when requesting service or ordering repair parts.

PARTS LIST

KEY NO.	PART NUMBER	DESCRIPTION	QTY	KEY NO.	PART NUMBER	DESCRIPTION	QTY
1	315648001	Upper Boom Assembly (Inc. Key Nos. 2-4 & 11)....	1	16	695180001	Compression Spring (Trigger Lock).....	1
2	941013005	Warning Label (French/Spanish)	1	17	313687001	Switch Trigger Assembly w/Lock-Out.....	1
3	941013004	Warning Icon Label	1	18	534157001	Slide Switch Cover.....	1
4	941851235	Data Label.....	1	19	639787001	Rod.....	1
5	314562001	Boom Clamp Assembly	1	20	760579005	Variable Speed Switch	1
6	308056009	Front Handle Assembly (Inc. Key Nos. 7-9).....	1	21	534149001	Switch Cap.....	1
7	518949001	Wing Nut (1/4-20).....	1	22	313350001	Motor Volute Assembly	1
8	639167001	Assist Handle Clamp.....	1	23	313240001	Electric Controller and Switch Assembly.....	1
9	660857001	Screw (1-1/4-20 x 1 in. Square Hd)	1	24	534155001	Bucket Housing.....	1
10	690140011	Compression Spring	1	25	313244001	Motor & Gear Box Assembly	1
11	941851150	Attachment Capable Label	1		Not Shown		
12	313242004	Rear Handle Assembly (Inc. Key No. 15)	1		995000923	Operator's Manual	
13	661864007	Screw (M4 x 18 mm, T15 Torx Pan Hd.)	14		1-8-20		
14	660203052	Screw (M3 x 8 mm, Pan. Hd.)	2		(Rev:02)		
15	940705393	Logo Label	2				

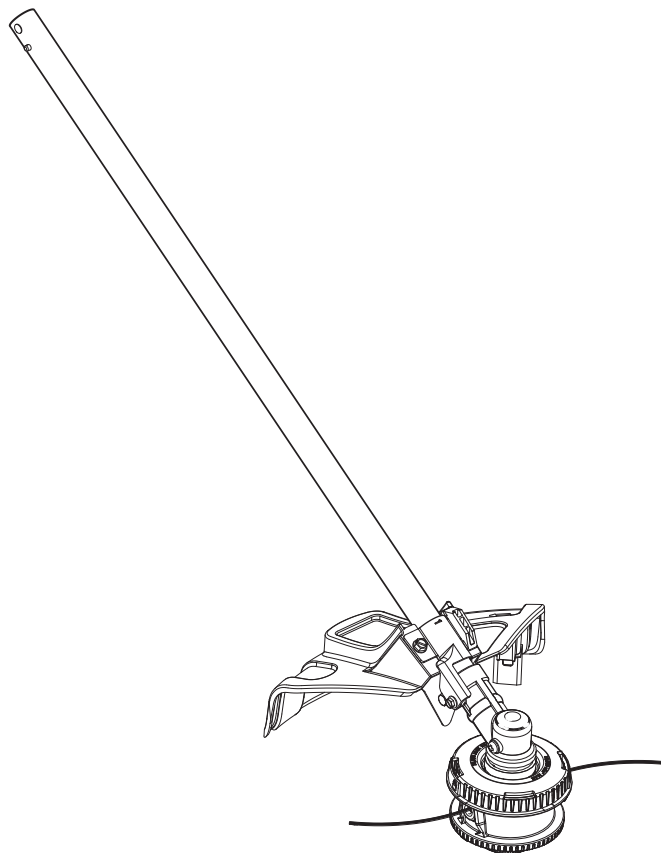
RYOBI POWER HEAD – ITEM NO. RY40007



WIRING DIAGRAM

REPAIR SHEET

BRAND RYOBI		DESCRIPTION EXPAND-IT Straight Shaft Trimmer Attachment
MODEL NO. RY15529VNM	MFG. NO. 317022001	



TECHTRONIC INDUSTRIES POWER EQUIPMENT

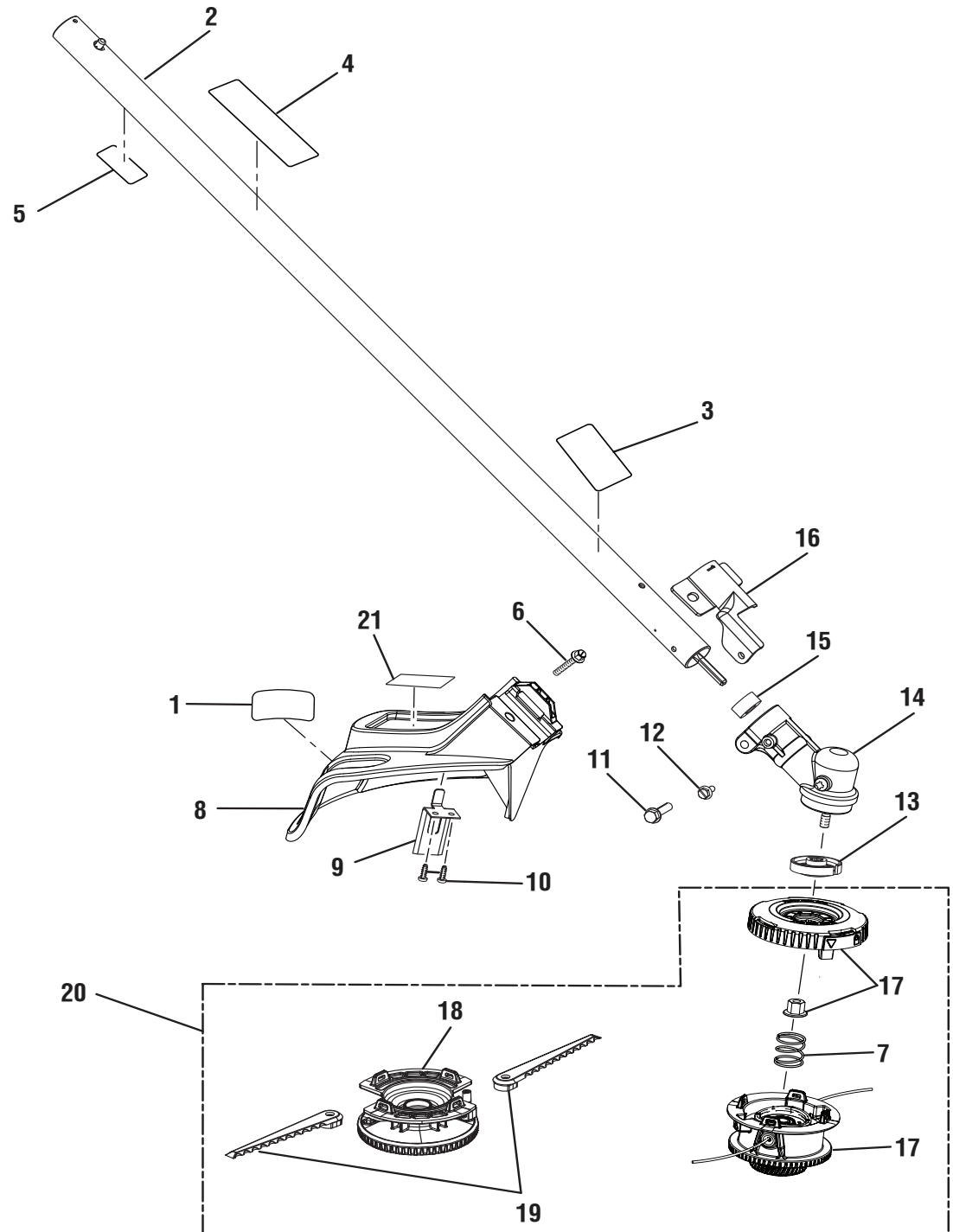
P.O. Box 1288, Anderson, SC 29622 ■ 1-800-525-2579 ■ www.ryobitools.com

5-10-21 (Rev:02)

The model number and manufacturing location will be found on a label attached to the product. Always mention this information in all communications regarding this product and when ordering parts.

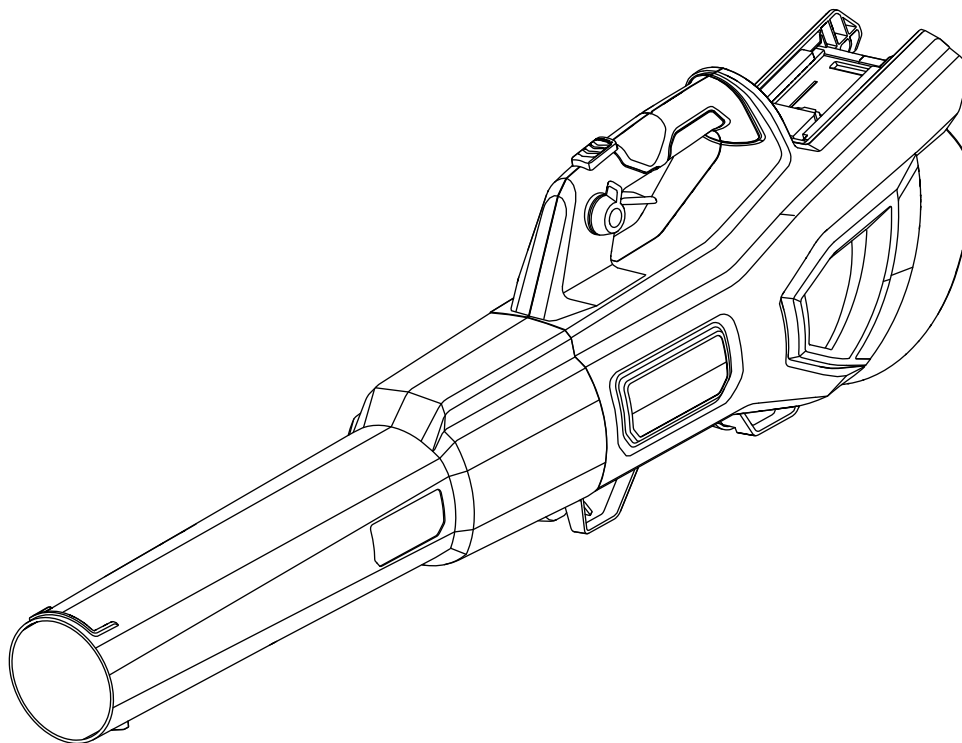
PARTS LIST

KEY NO.	PART NO.	DESCRIPTION	QTY.
1	941588552	Grass Shield Label	1
2	317303002	Straight Shaft Assembly (Inc. Key Nos. 3-5)	1
3	940749034	Icon Warning Label	1
4	941588832	Carbon Fiber Label	1
5	941588816	Data Label	1
6	660738002	Screw (1/4-20 x 1.25 in., Hex Washer Hd.)	1
7	679958001	Compression Spring	1
8	317302001	Grass Deflector Assembly (Inc. Key Nos. 1, 6, 9-10 & 21)	1
9	638016003	Line Cut Off Blade	1
10	662148001	Screw (#8-16 x 0.654 in.)	2
11	660642001	Screw (1/4-20 x 1.25 in., Hex Washer Hd.)	1
12	660641001	Screw (#10-24 x 0.625 in., Hex Conical Washer Hd.)	1
13	678011001	Flanged Washer	1
14	308210020	Gear Head Assembly	1
15	518367001	Spacer	1
16	638125001	Grass Deflector Clamp	1
17	314608005	Bump Feed Trimmer Head Assembly (Inc. Key No. 7)	1
18	314795002	Fixed Line and Blade Housing Assembly	1
19	537603002	Flail Blade	2
20	315614001	3-in-1 String Head Assembly (Inc. Key Nos. 7 & 17-19)	1
21	940851674	Guard Logo Label	1
	Not Shown:		
	995000976	Operator's Manual	1



REPAIR SHEET

BRAND RYOBI		DESCRIPTION 40 Volt Brushless Blower
MODEL NO. RY404010VNM RY404010CANVNM	MFG. NO. 108661001 108661004	



TECHTRONIC INDUSTRIES POWER EQUIPMENT

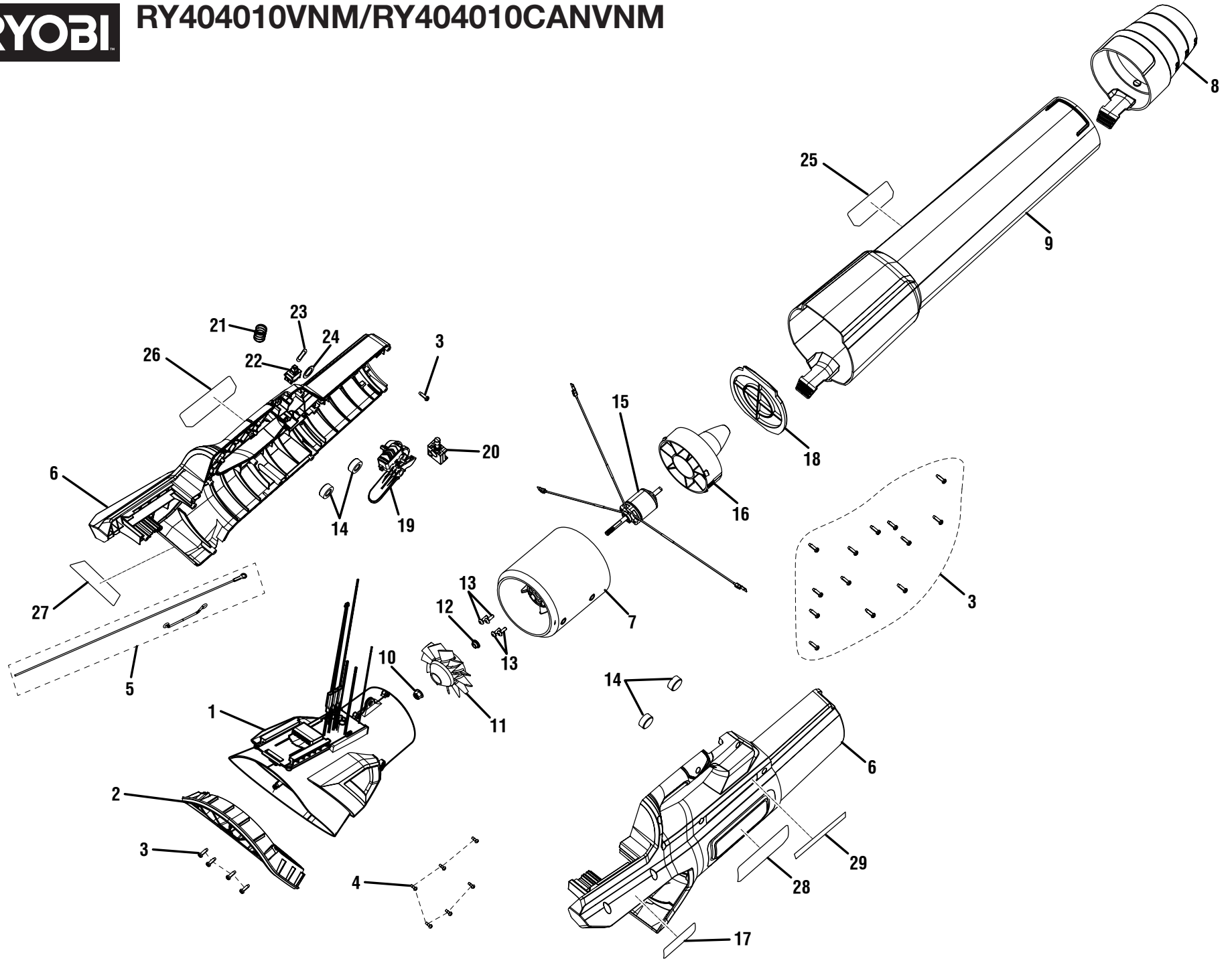
P.O. Box 1288, Anderson, SC 29622 ■ 1-800-525-2579 ■ www.ryobitools.com

10-11-21 (Rev:04)

The model number and manufacturing location will be found on a label attached to the product. Always mention this information in all communications regarding this product and when ordering parts.



RY404010VNM/R404010CANVNM





RY404010VNM/R404010CANVNM

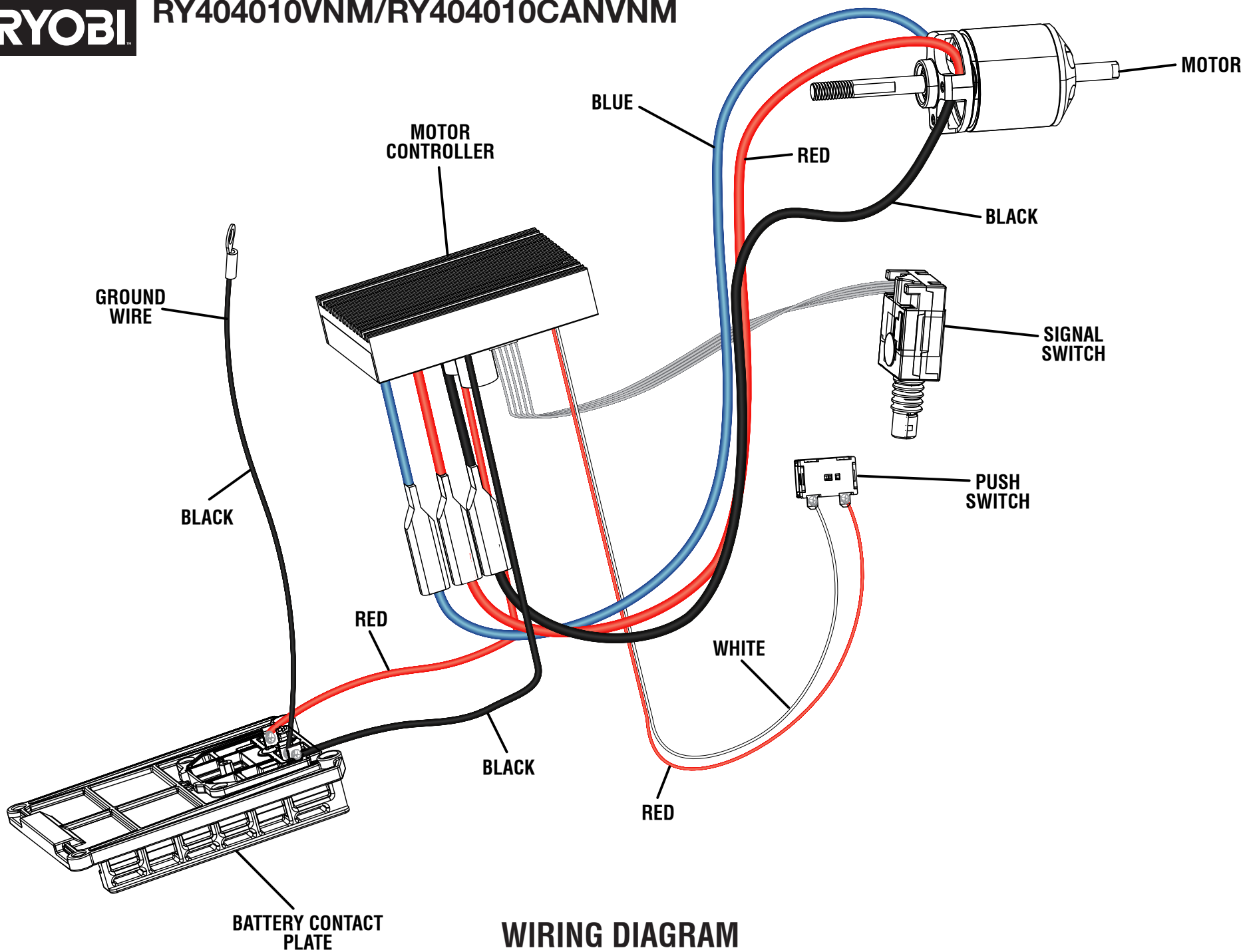
PARTS LIST

KEY NO.	PART NO.	DESCRIPTION	QTY.
1	318194001	Motor Controller and Inlet Bell Assembly	1
2	543748001	Inlet Guard	1
3	661817001	Screw (M4 x 13.5 mm, T15 Torx Pan Hd.)	18
4	660203001	Screw (M3 x 8 mm, Pan Hd.)	6
5	318193001	Grounding Strap Assembly	1
6	318190001	Housing Assembly (Inc. Key Nos. 17 & 26-29, R404010VNM)	1
	205765001	Housing Assembly (Inc. Key Nos. 17 & 26-29, R404010CANVNM)	1
7	318192001	Stator Assembly	1
8	318191001	Speed Nozzle Assembly	1
9	318195001	Blower Tube Assembly (Inc. Key No. 25)	1
10	678774009	Flange Lock Nut (M6)	1
11	543752001	Fan	1
12	612854002	Bushing	1
13	660137001	Screw w/Washer (M4 x 12 mm)	4
14	565463001	Rubber Cap	4
15	742653002	Motor	1
16	543754001	Nose Cone	1

KEY NO.	PART NO.	DESCRIPTION	QTY.
17	941110041	Ingestion Icon Label	1
18	543756001	Cross-Hairs	1
19	317856001	Trigger and Cruise Control Assembly	1
20	760750001	Signal Switch	1
21	699363001	Spring	1
22	760781001	Push Switch	1
23	636095001	Wave Washer (ID13.7 x OD19.2 x 0.3t)	1
24	635793001	Flat Washer (ID13.5 x OD20 x 2t)	1
25	940705583	40V HP BRUSHLESS Logo Label	1
26	941110030	RYOBI 40V HP Logo Label	1
27	941110031	WHISPER SERIES Logo Label	1
28	941110099	Data/Warning Label (RY404010VNM)	1
	941110084	Data/Warning Label (RY404010CANVNM)	1
29	941110033	Icon Label	1
	Not Shown:		
	998000561	Operator's Manual	



RY404010VNM/R404010CANVNM



WIRING DIAGRAM