

ECCOTEMP
THE FUTURE OF EFFICIENCY

L10

ECCOTEMP

TANKLESS WATER HEATERS



ECCOTEMP L10 PORTABLE OUTDOOR TANKLESS

WATER HEATER

USE & CARE MANUAL

WITH INSTALLATION INSTRUCTIONS FOR THE INSTALLER

PHONE: 866-356-1992 | EMAIL: SUPPORT@ECCOTEMP.COM | ADDRESS: 315 - A INDUSTRIAL RD SUMMERVILLE, SC 29483



PRODUCT SUPPORT: ECCOTEMP.COM/HELP-DESK



SHOP ONLINE: ECCOTEMP.COM/PRODUCT



STORE LOCATOR: ECCOTEMP.COM/LOCATOR

ECCOTEMP.COM



Congratulations!

You've just purchased a new Eccotemp L10 portable tankless water heater. This will open a world of enjoyment to going tankless.

We highly suggest you take the time to read through all of the safety and installation procedures in this manual, before attempting to install your new water heater.

Should you have any questions, please feel free to visit our helpdesk located at www.eccotemp.com for further information.

General Safety	3-6
Introduction	5
Features and Benefits	7-9
DOs and DON'Ts	9-10
Installation Guide.....	10
Electrical Installation.....	11
Limited Warranty.....	12
Warranty Claims Procedure .	12
Troubleshooting Guide.....	12
Product Specifications	13-14
Wiring Diagrams	15
Service & Warranty Information.	16



FOR YOUR RECORDS

Write the model and serial numbers here:

You can find them on a label on the appliance and/or packaging.

Staple sales slip or canceled check here.

Proof of the original purchase date is needed to obtain service under the warranty.



READ THIS MANUAL

Inside you will find many helpful hints on how to use and maintain your water heater properly. A little preventive care on your part can save you time and money over the life of your water heater. You'll find many answers to common problems in the Troubleshooting Guide. If you review the chart of Troubleshooting Tips first you may not need to call for service.







READ THE SAFETY INFORMATION

Your safety and the safety of others are very important. There are many important safety messages in this manual and on your appliance. Always read and obey all safety messages. This is the safety alert symbol. Recognize this symbol as an indication of Important Safety Information! This symbol alerts you to potential hazards that can kill or hurt you and others.

All safety messages will follow the safety alert symbol and the words: **"DANGER"**, **"WARNING"**, **"CAUTION"** or **"NOTICE"**.

These words mean:

-  **DANGER** - An imminently hazardous situation that will result in death or serious injury.
-  **WARNING** - A potentially hazardous situation that could result in death or serious injury and/or damage to property.
-  **CAUTION** - A potentially hazardous situation that may result in minor or moderate injury.
-  **NOTICE**: Attention is called to observe a specified procedure or maintain a specific condition.

IMPORTANT SAFETY INFORMATION READ ALL INSTRUCTIONS BEFORE USING

Be sure to read and understand the entire Use and Care Manual before attempting to install or operate this water heater. It may save you time and money. Pay particular attention to the Safety Instructions. Failure to follow these warnings could result in serious bodily injury or death. Should you have problems understanding the instructions in this manual, or have any questions, STOP, and get help from a qualified service technician, or the local gas utility.

! DANGER!

PROPERLY INSTALL WATER HEATER



Failure to properly install the water heater outdoors as outlined in the Installation Instructions in this manual can result in unsafe operation of the water heater. To avoid the risk of fire, explosion, or asphyxiation from carbon monoxide, never operate this water heater unless it is installed properly and has an adequate air supply for proper operation. Be sure to inspect the flue terminal for proper installation at initial start-up; and at least annually thereafter. Refer to the Care and Cleaning section of this manual for more information regarding flue terminal inspection.

! WARNING!



Gasoline, as well as other flammable materials and liquids (adhesives, solvents, paint thinners etc.), and the vapors they produce are extremely dangerous. DO NOT handle, use or store gasoline or other flammable or combustible materials any where near or in the vicinity of a water heater or any other appliance. Be sure to read and follow the labels on the water heater, as well as the warnings printed in this manual. Failure to do so can result in property damage, bodily injury or death.

DANGER

Flammable Vapor

<p>! Vapors from flammable liquids will explode and catch fire causing death or severe burns.</p> <p>Do not use or store flammable products such as gasoline, solvents or adhesives in the same room or area near the water heater.</p> <p>Keep flammable products :</p> <ol style="list-style-type: none"> 1. Far away from heater 2. In approved containers 3. Tightly closed 4. Out of children's reach 	<p>Water heater has a main burner flame. The main burner flame</p> <ol style="list-style-type: none"> 1. Can come on at any time and 2. Will ignite flammable vapors. <p>Vapors:</p> <ol style="list-style-type: none"> 1. Cannot be seen 2. Are heavier than air 3. Go a long way on the floor 4. Can be carried from other rooms to the main burner flame by air currents.
<p>Installation:</p> <p>Do not install water heater where flammable products will be stored or used unless the main burner flame is at least 18" above the floor. This will reduce, but not eliminate, the risk of vapors being ignited by the main burner flame.</p>	
<p>Read and follow water heater warnings and Instructions. If owners manual is missing, contact the retailer or manufacturer.</p>	

PLEASE NOTE: THIS MODEL IS NOT RECOMMENDED NOR HAS IT BEEN TESTED FOR ANY PERMANENT INSTALLATIONS. THIS MODEL IS PART OF OUR PORTABLE SERIES AND NEEDS TO BE TAKEN DOWN AND STORED IN A WARM DRY PLACE AFTER EVERY USE. THIS MANUAL AND ALL ECCOTEMP CONTENT IS SUBJECT TO CHANGE WITHOUT NOTICE.





⚠ DANGER!

NATURAL GAS AND LIQUEFIED PETROLEUM MODELS

Both LP and natural gas have an odorant added to aid in detecting a gas leak. Some people may not physically be able to smell or recognize this odorant. If you are unsure or unfamiliar with the smell of LP or natural gas, ask the gas supplier. Other conditions, such as “odorant fade,” which causes the odorant to diminish in intensity, can also hide or camouflage a gas leak. Always check with commercial leak detector or soapy water.

- **Gas detectors are recommended in LP and natural gas applications and their installation should be in accordance with the detector manufacturer’s recommendations and/or local laws, rules, regulations or customs.**
- Water heaters utilizing LP gas are different from natural gas models. A natural gas water heater will not function safely on LP gas and vice versa.
- No attempt should ever be made to convert the water heater from natural gas to LP gas. To avoid possible equipment damage, personal injury or fire, do not connect the water heater to a fuel type not in accordance with the portable tankless water heater data plate; propane for propane portable tankless water heaters and natural gas for natural gas portable tankless water heaters. These portable tankless water heaters are not certified for any other fuel type.
- LP appliances should not be installed below grade (for example, in a basement) if such installation is prohibited by federal, state and/or local laws, rules, regulations or customs.
- Propane or LP gas must be used with great caution. It is heavier than air and will collect first in lower areas making it hard to detect at nose level.
- Before attempting to light the water heater, make sure to look and smell for gas leaks. Use a soapy solution to check all gas fittings and connections. Bubbling at a connection indicates a leak that must be corrected. When smelling to detect a gas leak, be sure to sniff near the floor also.
- It is recommended that more than one method, such as soapy solution, gas detectors, etc., be used to detect leaks in gas applications.

Notice: If a gas leak is present or suspected:

- **DO NOT attempt to find the cause yourself.**
- **DO NOT try to light any appliance.**
- **DO NOT touch any electrical switch.**
- **DO NOT use any phone in your building.**
- **Leave the house immediately and make sure your family and pets leave also.**
- **Leave the doors open for ventilation and contact the gas supplier, a qualified service agency or the fire department.**
- **Stay away from the house (or building) until the service call has been made, the leak is corrected and a qualified agency has determined the area to be safe.**

PLEASE NOTE: THIS MODEL IS NOT RECOMMENDED NOR HAS IT BEEN TESTED FOR ANY PERMANENT INSTALLATIONS. THIS MODEL IS PART OF OUR PORTABLE SERIES AND NEEDS TO BE TAKEN DOWN AND STORED IN A WARM DRY PLACE AFTER EVERY USE. THIS MANUAL AND ALL ECCOTEMP CONTENT IS SUBJECT TO CHANGE WITHOUT NOTICE.





! ADDITIONAL WARNINGS

- 1. Do not leave unattended.**
- 2. The exhaust gas and top of the portable tankless water heater is HOT! Do not place hands or any foreign object near the top of the heater.**
- 3. Do not use in high wind conditions.**
- 4. If the smell of gas is detected, turn off the gas valve at the tank immediately! Do not use flame for leak detection.**
- 5. Use only Liquid Propane.**
- 6. Use only outdoors.**
- 7. Do not over tighten the gas regulator connection to the portable tankless water heater with a wrench. This may cause a crack in the gas regulator.**

The Purpose and Benefits the L10

The EccoTemp L-10 is a liquid propane fired water heater capable of delivering 2 to 2.65 gallons of hot water almost anywhere. The portable tankless water heater has standard 1/2" NPT pipe fittings and an adapter for using a standard garden hose for inlet water supply.

The L10 is not a toy. People around the world use similar portable tankless water heaters to heat the water around their homes, safely, and reliably.

Gas is supplied from a standard 20 pound propane cylinder (not included) such as used with outdoor grills. A regulator with hose is furnished with the heater.

You may also plumb it in to existing water lines and using a low pressure LP gas regulator. Check local codes for proper installation.

The portable tankless water heater includes a stainless steel rain cap that helps protect it for outdoor usage.

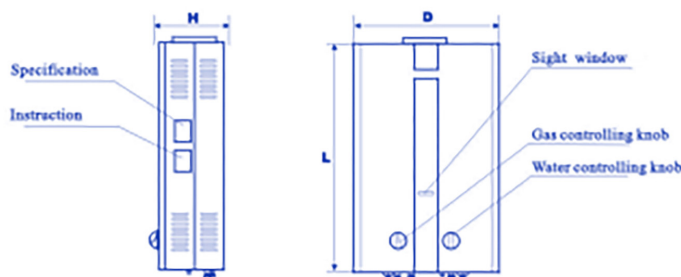
Ignition is automatic and powered by 2 "D" cell batteries (not included). Burners come on when water flows, and off when the water is shut off. No pilot light.

PLEASE NOTE: THIS MODEL IS NOT RECOMMENDED NOR HAS IT BEEN TESTED FOR ANY PERMANENT INSTALLATIONS. THIS MODEL IS PART OF OUR PORTABLE SERIES AND NEEDS TO BE TAKEN DOWN AND STORED IN A WARM DRY PLACE AFTER EVERY USE. THIS MANUAL AND ALL ECCOTEMP CONTENT IS SUBJECT TO CHANGE WITHOUT NOTICE.



Functions and Features

- Water controlled automatic ignition: Water pressure between 20-80 PSI and 0.75-1.0 GPM opens the ignition circuit for easy and convenient operation.
- Auto-cut-off protection: The auto-cut-off protection will shut the gas supply off immediately in the event of flameout to reduce the risk of gas leakage.
- Energy savings: 85%.
- Removable drain valve to avoid water pipe and regulator damage caused by freezing water*.
- Anti-dry combustion protection: The portable tankless water heater will shut off the gas supply in the event water stops flowing through the portable tankless water heater.



*Read the maintenance section on draining the portable tankless water heater entirely to avoid freeze issues.

TEMPERATURE INCREASE PER GPM					
MODEL	Gas Setting	1.5 GPM	2.0 GPM	2.5 GPM	3.0 GPM
L10 Portable	Highest	96 °	48 °	32 °	25 °
	Lowest	34 °	17 °	11 °	9 °

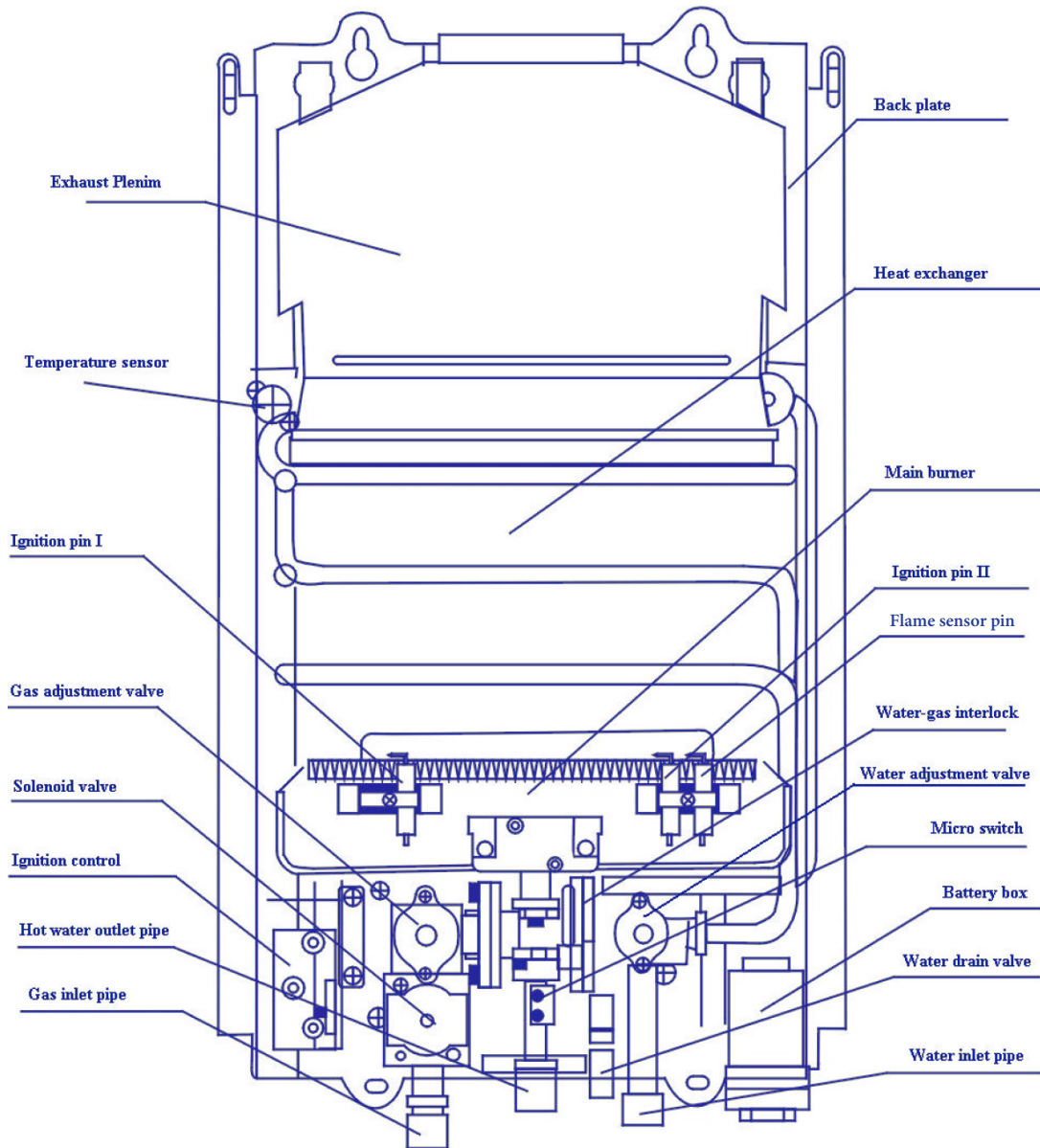
*Temperature increases listed are based on use of the water heater under optimal conditions. Variable factors such as incorrect or imperfect installations and varying incoming water temperatures may yield different results.

TECHNICAL SPECIFICATIONS - PORTABLE	
Fuel Type	LPG (Liquid propane gas)
Model	L10
Activation Flow Rate	25 PSI
BTU/h	75,000
Related gas pressure	0.4 PSI
Ignition	Electric Pulse, D cell Battery Powered (No electrical connection required)
Protections	Auto-cut off water control, automatic ignition, anti-dry combustion protection, over-pressure overheating and flameout protection
Dimensions	15" x 6.5" x 35"
Pipe fittings	1/2 " NPT, incoming/outgoing water & 3/8 compression fitting gas

PLEASE NOTE: THIS MODEL IS NOT RECOMMENDED NOR HAS IT BEEN TESTED FOR ANY PERMANENT INSTALLATIONS. THIS MODEL IS PART OF OUR PORTABLE SERIES AND NEEDS TO BE TAKEN DOWN AND STORED IN A WARM DRY PLACE AFTER EVERY USE. THIS MANUAL AND ALL ECCOTEMP CONTENT IS SUBJECT TO CHANGE WITHOUT NOTICE.



Construction and parts for the L10



PLEASE NOTE: THIS MODEL IS NOT RECOMMENDED NOR HAS IT BEEN TESTED FOR ANY PERMANENT INSTALLATIONS. THIS MODEL IS PART OF OUR PORTABLE SERIES AND NEEDS TO BE TAKEN DOWN AND STORED IN A WARM DRY PLACE AFTER EVERY USE. THIS MANUAL AND ALL ECCOTEMP CONTENT IS SUBJECT TO CHANGE WITHOUT NOTICE.



Getting Started

1. Check box for damage. Damages caused in shipment must be reported immediately.
2. Make sure you have all the parts.
Please note: Included parts and accessories may vary depending on county and regulations.
 - a. Water heater
 - b. Hardware pack
 - c. Rain cap
 - d. 1/2" NPT to garden hose adapter
 - e. Gas hose and regulator
3. Install the rain cap to the top of the flue vent. The rain cap should fit securely. It is recommended that a beaded layer of high temperature sealant is used around the perimeter of the seal between the rain cap and the flue vent.
4. If using a standard garden hose, attach the 3/4" NPT to garden hose adapter to the fitting marked 'Water Input'. Use Sealant tape or other approved sealing method on the threads for a secure, water tight fit. Check to make sure the screen inside the water inlet is in place and clean. Then attach your water input/garden hose.
5. Install gas supply line and regulator to the portable tankless water heater. **DO NOT OVER TIGHTEN. OVER TIGHTING MAY CRACK THE GAS REGULATOR CAUSING A GAS LEAK!** Check for any gas smell before ignition! Make sure it is screwed all the way on.

WARNING!

GAS HOSE ADAPTER

THE L5, L7, & L10 PORTABLE TANKLESS WATER HEATERS HAVE A 1/2" TO 3/8" ADAPTER IN THE HARDWARE PACK FOR ATTACHMENT OF THE LP HOSE TO THE HEATER.

THIS ADAPTER MUST BE INSTALLED WITH THREAD SEALANT, A SPOOL OF SEALANT TAPE IS INCLUDED WITH THE HEATER.

MULTIPLE WRAPS OF SEALANT TAPE MAY BE NECESSARY TO ASSURE COMPLETE SEAL.

ALWAYS CHECK FOR GAS LEAKS BEFORE USING HEATER.

6. Attach the water output to the fitting marked 'Water Outlet.' Do not over tighten.
7. Install two "D" cell batteries in the compartment on the bottom left of the heater. Check that batteries are facing the correct direction.
8. Use the top tab on the portable tankless water heater to suspend from a mounted screw capable of holding 30 pounds. Place at a comfortable height without putting stress on the gas hose.
9. Attach gas regulator with hose to the LP tank. Use hand pressure only on the plastic connector. LEAVE GAS TANK VALVE IN THE "OFF" POSITION.

PLEASE NOTE: THIS MODEL IS NOT RECOMMENDED NOR HAS IT BEEN TESTED FOR ANY PERMANENT INSTALLATIONS. THIS MODEL IS PART OF OUR PORTABLE SERIES AND NEEDS TO BE TAKEN DOWN AND STORED IN A WARM DRY PLACE AFTER EVERY USE. THIS MANUAL AND ALL ECCOTEMP CONTENT IS SUBJECT TO CHANGE WITHOUT NOTICE.



Before going to the USE section:

Check around area for flammables, especially gasoline or other vapors which may ignite. The exhaust and top of the portable tankless water heater will get HOT! Make sure there are no foreign objects around the portable tankless water heater or have fallen into the top.

Use and Starting

Warning: This model is intended for recreational & portable use only. This model CANNOT be permanently mounted or plumbed in any way.

1. Turn on incoming water supply. Ensure that you have adequate water pressure of between 40-50 PSI.
2. Turn your water output device to its “off” position.
3. Turn the gas valve on the cylinder all the way open.
4. IF THE SMELL OF GAS IS DETECTED, TURN OFF THE GAS VALVE IMMEDIATELY!!
5. Set the water regulator knob on the face of the portable tankless water heater to its highest setting.
6. Set the gas regulator knob on the face of the portable tankless water heater to its minimum setting.
7. Turn on your water output device to the “on” position and adjust to the desired water flow.
8. There will be a series of audible clicks and the burner will ignite. Should the burner not ignite after 5 seconds, shut off and go to the “Trouble Shooting” section.
9. Upon completion of use or storage, open the drain valve (ribbed cylindrical stem next to the water input valve) to ensure draining of water.
10. Turn off your gas supply.
11. **WARNING:** If the outside temperature is around or below freezing (32 degrees F, 0 degrees C), ensure that the drain valve is opened and water drained from the portable tankless water heater after each use to avoid internal damage to the water regulator. You will also need to unhook the outgoing water line to ensure that any water in the heat exchanger is drained. Failure to properly drain your portable tankless water heater will cause water damage which may or may not be repairable. Please check the warranty information found on our website at www.eccotemp.com/freeze for more information on freezing issues.

PLEASE NOTE: THIS MODEL IS NOT RECOMMENDED NOR HAS IT BEEN TESTED FOR ANY PERMANENT INSTALLATIONS. THIS MODEL IS PART OF OUR PORTABLE SERIES AND NEEDS TO BE TAKEN DOWN AND STORED IN A WARM DRY PLACE AFTER EVERY USE. THIS MANUAL AND ALL ECCOTEMP CONTENT IS SUBJECT TO CHANGE WITHOUT NOTICE.



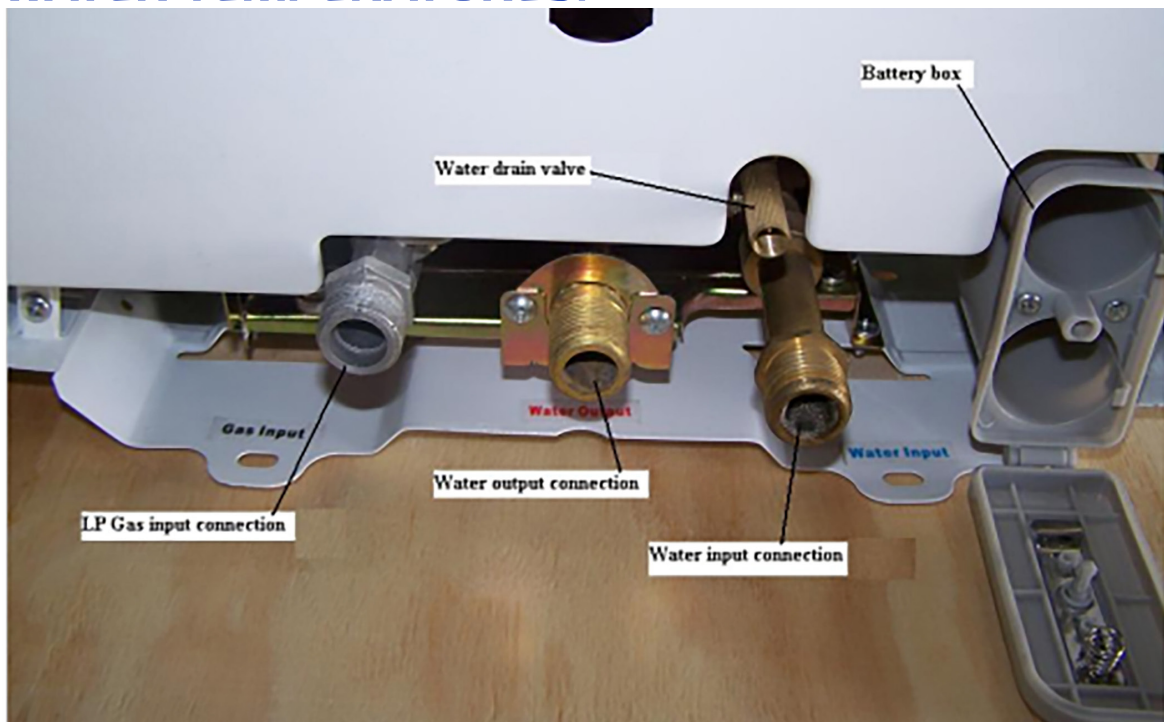
Adjustment

The temperature of the outgoing water is dependent on the temperature of the incoming water balanced with the amount of heat applied. Use extreme caution in setting the outlet water temperature.

1. With the water regulator set to high, and the gas regulator set to low, feel the outgoing water. This is the lowest setting available.
2. To initially raise the outgoing temperature, slowly turn the gas valve towards maximum. Adjust slowly and check the temperature often. There will be a slight delay between increasing the gas supply and the increase in water temperature.
3. Should the outlet water temperature need to be higher, slowly reduce the water flow regulator until desired temperature is reached.

(Warning: Do not alter or change this water heater's original temperature sensor)

WARNING: THE PORTABLE TANKLESS WATER HEATER IS CAPABLE OF PRODUCING SCALDING WATER TEMPERATURES!



PLEASE NOTE: THIS MODEL IS NOT RECOMMENDED NOR HAS IT BEEN TESTED FOR ANY PERMANENT INSTALLATIONS. THIS MODEL IS PART OF OUR PORTABLE SERIES AND NEEDS TO BE TAKEN DOWN AND STORED IN A WARM DRY PLACE AFTER EVERY USE. THIS MANUAL AND ALL ECCOTEMP CONTENT IS SUBJECT TO CHANGE WITHOUT NOTICE.



DO NOT RETURN TO STORE

Please visit our Helpdesk at www.eccotemp.com or contact us via email at support@eccotemp.com if you encounter a problem!

Troubleshooting

Portable tankless water heater will not start – there are no audible clicks at startup:

a. The first thing to check is to ensure that the incoming water on the “right” side of the portable tankless water heater. If the incoming and outgoing are reversed, the portable tankless water heater will not work. The incoming is on the far right and the outgoing is in the middle.

b. Check to make sure you have fresh batteries and they are installed in the correct position.

c. Number one reason that the portable tankless water heater does not ignite is that there is not enough water pressure. You need a minimum of 0.25-10 PSI, sustained. Municipal water should supply enough water pressure. Most 12/18/120/240 pumps well as long as they are capable of delivering pressure of 0.25-10 PSI or greater.

ADJUSTMENT: Looking up at the bottom of the portable tankless water heater, you will see two “slits” in the case where the front and back come together. Locate the water regulator where you will see two Phillips head screws. Take the screw that is furthest on the right (larger screw) in about a ¼ or ½ turn. This will enable the portable tankless water heater to operate on a lower water pressure by restricting flow.

NOTE: Before attempting to remove the cover, call technical support at 866.356.1992

d. A wire has become disconnected inside the portable tankless water heater during shipping. Make sure the gas is OFF. The front cover is held by six screws, four on top, two on bottom. The knobs pull off. All the wiring is done with push together plastic connectors. They are all visible without further dismantling of the portable tankless water heater. It should be obvious when a wire has become disconnected.

e. It is possible that some debris or epoxy might have entered the water regulator. Check to see if the filter screen on the water inlet is clear of debris. You can also reverse the hookup by taking your water source and hooking it up to the water outlet side and back flushing the system.

f. Propane gas cylinders sometimes are contaminated with air, especially new tanks upon their first filling. Cycle the portable tankless water heater turning off and on your output flow or similar. Does not include a shower head.

Should a portable tankless water heater fail to light or stay lit after 10 cycles, please visit our helpdesk located at www.eccotemp.com for additional troubleshooting steps.

Portable tankless water heaters starts, then shuts off:

a. If the Rain cap is blocked, or not long enough, the portable tankless water heater will shut off after a few minutes.

b. The portable tankless water heater requires a minimum of about 0.75 gallons per minute (2 liters) and a minimum of about 20 PSI / 1.38 bar. Note: water pressure is at the lower end of operating parameters. You will need a sustained water pressure of approximately 40-60 PSI / 2.7-4.1 bar for adequate use if you are using a 12/18/120/240 volt pump. See ADJUSTMENT in previous section above.

PLEASE NOTE: THIS MODEL IS NOT RECOMMENDED NOR HAS IT BEEN TESTED FOR ANY PERMANENT INSTALLATIONS. THIS MODEL IS PART OF OUR PORTABLE SERIES AND NEEDS TO BE TAKEN DOWN AND STORED IN A WARM DRY PLACE AFTER EVERY USE. THIS MANUAL AND ALL ECCOTEMP CONTENT IS SUBJECT TO CHANGE WITHOUT NOTICE.



Troubleshooting Continued...

c. Out of, or low on gas. Propane gas cylinders sometimes are contaminated with air, especially new tanks upon their first filling. Cycle the portable tankless water heater on and off by using the shower head switch several times (5) to purge the air from the gas. If this doesn't clear the air then the tank must be purged.

d. One of the ignition sensors is bent and/or too close to the burner. Look to ensure that the ignition pins and the heat sensor are completely vertical and they do a 90 degree to the back of the box. If they are not straight (i.e. a 45 degree angle) then you can straighten them with pliers.

e. The thermocouple is either too high or too low to complete the circuit. Check to ensure that the thermocouple is flush with the hole in the heat exchanger.

f. The gas sensor wire (looks like a black ground wire on the gas regulator) flange might have come loose or is no longer connected.

g. There is a faulty heat sensor. This is usually diagnosed by taking the front case off of the portable tankless water heater and let it run. If it continues to operate, then one of the sensors and/or the wire harness needs to be replaced. This may also be caused by insufficient clearance on the back of the portable tankless water heater where the majority of air intake is.

h. The valve on the propane tank should be all the way "Open".

i. Fresh batteries are required for ignition spark. Make sure batteries are aligned in the proper polarity (+/-).

The water does not get hot enough:

a. You are operating the portable tankless water heater above 4,000 feet / 1,000 meters. We only recommend using it below elevations of 4,000 to 5,500 feet.

b. Look into the viewer panes (middle horizontal windows on the front cover) to see if there is a blue flame. If the flame is yellow there could be a cracked gas regulator. Do Not Attempt to use the portable tankless water heater and call Eccotemp directly at 866.356.1992.

Water is flowing, but there is no hot water coming out:

a. Ensure that you have the incoming water supply and the outgoing water supply hooked up properly. Your water supply should be attached to your incoming connection (located on the far right) and the shower head should be attached to the outgoing water (located as the center connection).

b. Ensure that you have adequate water pressure of at least 20 PSI / 1.38 bar, sustained.

c. Ensure that you have adequate gas in your propane bottle and that the LP regulator is threaded all of the way on to the portable tankless water heater.

d. Fresh batteries are required for ignition spark. Make sure batteries are aligned in the proper polarity (+/-).

If you are still having troubles or are on a modified water system, please visit our helpdesk located at www.eccotemp.com for additional troubleshooting steps.

The portable tankless water heater does nothing:

a. Ensure that you have your water source hooked up to the water inlet side (far right connection) and the shower handle is hooked up on the water outlet side (middle connection).

b. Ensure that you have an adequate supply of propane.

c. Ensure that you have fresh batteries.

If you are still having troubles or are on a modified water system, please call technical support at 866.356.1992.



Eccotemp Product Comparison Chart

L5 Series

i12 Series

45 Series



Specifications	Outdoor Only L5 Series	Indoor Only i12 Series	Indoor / Outdoor 45 Series
BTU	37,500	80,000	155,000
Flow Rate	Rated 1.45 GPM	Rated 3 GPM	Rated 6.8 GPM
Portable	Yes	No	No
Power Source	2"D" Cell Batteries	120 VAC	120 VAC
Gas Type	Liquid Propane Only	Available in NG or LP	Available in NG or LP
Venting	Not Needed	Horizontal Venting (Incl)	Sold Separately
Water Pressure	20-80 PSI	20-80 PSI - Flow Activated	14-80 PSI-Flow Activated
Regulator & Hose	Standard / Included	Not Included	Not Included
Temperature Control	Manual 80° - 120°	Automatic 90° - 140°	Automatic 90° - 140°
Warranty	1 Year	2 Years - Heat Exchanger 2 years-parts	10 Years - Heat Exchanger 5 years-parts
Product Dimensions	12" x 4.5" x 20" - 11.2 lbs	27.5" x 15.7" x 10.9" - 24.25 lbs	15" x 5" x 24" - 38 lbs
Package Dimensions	12.4" x 7.7" x 21.9" - 13.8 lbs	27.5" x 15.7" x 10.9" - 28.7 lbs	16" x 7.5" x 27.9" - 40 lbs



scan to buy!



scan to buy!



scan to buy!

PLEASE NOTE: THIS MODEL IS NOT RECOMMENDED NOR HAS IT BEEN TESTED FOR ANY PERMANENT INSTALLATIONS. THIS MODEL IS PART OF OUR PORTABLE SERIES AND NEEDS TO BE TAKEN DOWN AND STORED IN A WARM DRY PLACE AFTER EVERY USE. THIS MANUAL AND ALL ECCOTEMP CONTENT IS SUBJECT TO CHANGE WITHOUT NOTICE.



Eccotemp Systems ,LLC

Limited Warranty Information

EccoTemp hereby warrants this product to be free of material defects in materials and workmanship when installed and operated according to EccoTemp's installation and operating instructions. This Limited Warranty extends to the original purchaser and subsequent owners, but only while the product remains as the site of the original installation. This Limited Warranty terminates if moved or reinstalled at a new location. There are no warranties, express or implied made or given other than contained in this Limited Warranty. No agent, employee or representative of EccoTemp has any authority to bind EccoTemp to any representation or warranty concerning the Product not contained in this Limited Warranty.

Except as expressly set forth herein, THERE ARE NO REPRESENTATIONS OR WARRANTIES, EXPRESS OR IMPLIED, INCLUDING, WITHOUT LIMITATION, AS TO MERCHANTABILITY OR FITNESS FOR A PARTICULAR PURPOSE WITH RESPECT TO ANY GOODS SOLD HEREUNDER. BUYER'S EXCLUSIVE REMEDY IS LIMITED TO REPAIR OR REPLACEMENT OF THE GOODS SOLD, AT ECCOTEMP'S DISCRETION. ECCOTEMP SHALL NOT BE LIABLE FOR INCIDENTAL OR CONSEQUENTIAL DAMAGES.

Item Period of Coverage

Heat Exchanger 1 year
 All other parts 1 year
 Free Accessories (Showerhead,hose,regulator etc) 30 days

Coverages are void if the unit is used in a hot water circulation loop, in series with a circulation system or where an on-demand recirculation system is not incorporated. Owner is responsible for all other costs incidental to repair such as labor, shipping, delivery and permits. Proof of purchase required. Products repaired will be covered under this Limited Warranty for the remainder of term of the original purchase.

This Limited Warranty becomes null and void if any of the following are determined to be a contributing factor to the failure of the product:

1. Abuse, misuse, alteration, neglect or misapplication;
2. Improper or inadequate maintenance;
3. Inadequate water quality;
4. Installation in a corrosive or otherwise destructive environment;
5. Freeze Damage;
6. Scale buildup;
7. Incorrect gas or water pressure;
8. Acts of force Majeure

This Product is not to be used as a pool or spa heater.

Shipping Related Costs:

Within the first 30 days of purchase, Eccotemp will cover all ground shipping costs for warranty related issues, excluding AK, HI, Canada, and any location outside of the continental US. After the first 30 days of purchase, Eccotemp will cover all shipping costs to the customer for warranty related issues, excluding AK, HI, Canada, and any location outside of the continental US. After the first 30 days of purchase, the customer is responsible for all shipping to Eccotemp, regardless of reason or circumstance. The method for warranty related shipping will be Ground equivalent with the provider of Eccotemp's choosing.

AK, HI, Canada, and any location outside of the continental US, will be responsible for all shipping costs, regardless of reason or circumstance.

All shipments of any type of product coming to Eccotemp for any reason must have an RGA for any repairs to be made. Please contact Eccotemp to obtain an RGA number prior to shipping anything to Eccotemp. Failure to do so could result in loss of product. Eccotemp will not be responsible for replacement due to loss or damage if these steps are not properly followed.

PLEASE NOTE: THIS MODEL IS NOT RECOMMENDED NOR HAS IT BEEN TESTED FOR ANY PERMANENT INSTALLATIONS. THIS MODEL IS PART OF OUR PORTABLE SERIES AND NEEDS TO BE TAKEN DOWN AND STORED IN A WARM DRY PLACE AFTER EVERY USE. THIS MANUAL AND ALL ECCOTEMP CONTENT IS SUBJECT TO CHANGE WITHOUT NOTICE.



Extended Warranty :

Warranty Features:

- * No hassle complete replacement of your item it breaks
- * Coverage begins after the manufacturer warranty expires.
- * Does not include accidents.

Standard Features:

- * No hidden fees or repair costs
- * If a product can't be repaired it will be replaced
- * Power surge protection
- * Free replacement of the product should it require 3 repairs in 1 year. (after the manufacturer warranty expires)

Extended warranty is offered through a third-party company we have partnered up, Warranty Life.

For more information please visit www.warrantylife.com. Within 24 hours of purchase of extended warranty you will receive a email with all of your extended warranty information. All claims are to be filed directly through warranty life "Not" through Eccotemp.

EXTENDED WARRANTIES APPLY TO ORDERS WITHIN THE U.S ONLY AT THIS TIME

PLEASE NOTE: THIS MODEL IS NOT RECOMMENDED NOR HAS IT BEEN TESTED FOR ANY PERMANENT INSTALLATIONS. THIS MODEL IS PART OF OUR PORTABLE SERIES AND NEEDS TO BE TAKEN DOWN AND STORED IN A WARM DRY PLACE AFTER EVERY USE. THIS MANUAL AND ALL ECCOTEMP CONTENT IS SUBJECT TO CHANGE WITHOUT NOTICE.



PLEASE NOTE: THIS MANUAL IS SUBJECT TO CHANGE AT ANYTIME, TO ENSURE THIS MANUAL IS UP TO DATE
PLEASE VISIT OUR HELPDESK AT WWW.ECCOTEMP.COM FOR ALL OF OUR PRODUCT MANUALS.



ECCOTEMP
THE FUTURE OF EFFICIENCY

ECCOTEMP SYSTEMS LLC | EMAIL: SUPPORT@ECCOTEMP.COM | ADDRESS: 315 - A INDUSTRIAL RD SUMMERVILLE, SC 29483



PRODUCT SUPPORT: ECCOTEMP.COM/HELP-DESK



SHOP ONLINE: ECCOTEMP.COM/PRODUCT



STORE LOCATOR: ECCOTEMP.COM/LOCATOR

ECCOTEMP.COM





ECCOTEMP
EL FUTURO DE LA EFICIENCIA

L10

ECCOTEMP

CALENTADORES DE AGUA SIN TANQUE



ECCOTEMP L10 PORTÁTIL EXTERIOR LITRO SIN TANQUE

DE AGUA SIN TANQUE

MANUAL DE USO Y CUIDADO

CON INSTRUCCIONES DE INSTALACIÓN PARA EL INSTALADOR

ECCOTEMP SYSTEMS LLC | EMAIL: SUPPORT@ECCOTEMP.COM | DIRECCIÓN: 315 - A INDUSTRIAL RD SUMMERVILLE, SC 29483

 SOPORTE PRODUCTO: ECCOTEMP.COM/HELP-DESK  COMPRAR ONLINE: ECCOTEMP.COM/PRODUCT  BUSCADOR TIENDAS: ECCOTEMP.COM/LOCATOR

ECCOTEMP.COM   



¡Felicidades!

Acaba de comprar un nuevo calentador de agua Eccotemp L10 portátil sin tanque. ¡Esto le descubrirá un mundo nuevo al librarse por fin del tanque!

Le sugerimos encarecidamente que se tome todo el tiempo necesario para leer todos los procedimientos de seguridad e instalación en este manual antes de que intente instalar su nuevo calentador de agua.

En caso de que tenga cualquier pregunta, por favor, visite nuestro centro de ayuda en www.eccotemp.com para obtener más información.

Seguridad General3-6

Introducción5

Funciones y Beneficios7-9

Necesario / A Evitar9-10

Guía de Instalación.....10

Instalación Eléctrica.....11

Garantía Limitada.....12

Procedimiento Reclamación Garantía .12

Guía Solución de Problemas.....12

Especificaciones del Producto13-14

Diagramas de Cableado15

Información de Servicio y Garantía.16



PARA SU CONSTANCIA

Escriba el modelo y los números de serie aquí:
#_____

#_____

Puede encontrarlos en una etiqueta sobre el dispositivo y/o en el empaquetado.

Comprobante de compra grapado o cancelado marcar aquí.

Prueba de la fecha de compra original si es necesario para obtener servicio dentro de la garantía.



LEA ESTE MANUAL

Dentro encontrará muchos consejos útiles sobre cómo usar y mantener su calentador de agua de manera adecuada. Un poco de mantenimiento preventivo por su parte puede ahorrarle mucho tiempo y dinero durante la vida útil de su calentador de agua. Encontrará muchas respuestas a los problemas más comunes en la Guía de Solución de Problemas. Si revisa primero la tabla de consejos de Solución de Problemas puede que no tenga que llamar al servicio.



LEA LA INFORMACIÓN DE SEGURIDAD

Su seguridad y la de los demás es muy importante. Existen muchos importantes mensajes de seguridad en este manual y sobre su dispositivo. Siempre lea y obedezca los mensajes de seguridad. Este es el símbolo de alerta de seguridad. ¡Reconozca este símbolo como un indicador de Importante Información de Seguridad! Este símbolo le previene de potenciales peligros que podrían matarle o herirle a usted o a los demás.

Todos los mensajes de seguridad serán seguidos por el símbolo de alerta de seguridad y las palabras: **“PELIGRO”, “ADVERTENCIA”, “PRECAUCIÓN” o “AVISO”**.

Dichas palabras significan:

PELIGRO - Una situación de peligro inminente que puede dar como resultado la muerte o serias lesiones.

! ADVERTENCIA - Una situación de peligro potencial que podría dar como resultado la muerte o serias lesiones y/o daños a la propiedad.

! PRECAUCIÓN - Una situación de peligro potencial que podría causar lesiones menores o moderadas.

! AVISO: Se pide atención para observar un procedimiento específico o para mantener una condición específica.

IMPORTANTE INFORMACIÓN DE SEGURIDAD. LEER TODAS LAS INSTRUCCIONES ANTES DE USAR

Asegúrese de leer y entender el Manual de Uso y Cuidado al completo antes de intentar instalar u operar este calentador de agua. Esto le podría ahorrar tiempo y dinero. Preste especial atención a las Instrucciones de Seguridad. El no seguir dichas advertencias podría resultar en graves lesiones corporales o la muerte. Si tiene problemas comprendiendo las instrucciones en este manual o tiene cualquier pregunta, DEJE lo que esté haciendo y obtenga ayuda de un técnico cualificado o de la compañía de gas local.

⚠ ¡PELIGRO!

INSTALACIÓN CORRECTA DEL CALENTADOR DE AGUA



El no instalar adecuadamente el calentador de agua en el exterior como se indica en las Instrucciones de Instalación puede crear un funcionamiento inseguro del calentador de agua. Para evitar el riesgo de incendio, explosión, o asfixia mediante dióxido de carbono, nunca opere este calentador de agua cuando no esté instalado adecuadamente y tenga un suministro de aire adecuado para su funcionamiento. Asegúrese de inspeccionar el terminal de tiro para su correcta instalación y puesto en funcionamiento, y después por lo menos una vez al año. Vaya a la sección de Cuidado y Limpieza de este manual para más información en relación a la inspección del terminal de tiro.

⚠ ¡ADVERTENCIA!



La gasolina, como otros materiales y líquidos inflamables (adhesivos, disolventes, diluyentes de pintura, etc.) y los vapores que producen son extremadamente peligrosos. NO manipule, utilice o almacene gasolina u otros materiales inflamables o combustibles cerca o en las proximidades de un calentador de agua u otro dispositivo. Asegúrese de leer y seguir las etiquetas de advertencia impresas en este manual. El no hacer esto puede resultar en daños a la propiedad, lesiones corporales o la muerte.


PELIGRO



Vapor Inflamable

<p>⚠ Los vapores son líquidos inflamables que explotarán o se incendiarán causando la muerte y quemaduras severas.</p> <p>No utilice o almacene productos inflamables como gasolina, disolventes o adhesivos en las misma habitación o en las proximidades de un calentador de agua.</p> <p>Mantenga los productos inflamables:</p> <ol style="list-style-type: none"> 1. Lejos del calentador de agua 2. En contenedores aprobados 3. Bien cerrados 4. Fuera del alcance de los niños <p>Instalación: No instalar el calentador de agua en un lugar que se vaya a almacenar o utilizar productos inflamables a no ser que la llama del quemador esté por lo menos a 45,72 cm del suelo. Esto reducirá, pero no eliminará, el riesgo de que los vapores se prendan por la llama del quemador.</p> <p>Lea y siga los advertencias sobre el calentador de agua y sus Instrucciones. Si el manual falta, contacta con el proveedor o el fabricante.</p>	<p>El calentador de agua tiene una llama del quemador. La llama del quemador</p> <ol style="list-style-type: none"> 1. Puede encenderse en cualquier momento y 2. Prender los vapores inflamables. <p>Los vapores:</p> <ol style="list-style-type: none"> 1. No pueden ser vistos 2. Son más pesados que el aire 3. Se esparcen por el suelo 4. Pueden ser transportados a otras habitaciones a la llama del quemador mediante las corrientes de aire. <p>the main burner flame by air currents.</p>
--	--

POR FAVOR, TENGA EN CUENTA: ESTE MODELO NO ESTÁ RECOMENDADO NI SE HA PROBADO EN NINGUNA INSTALACIÓN PERMANENTE. ESTE MODELO ES PARTE DE NUESTRA SERIE DE PRODUCTOS PORTÁTILES Y NECESITA SER RETIRADO Y ALMACENADO EN UN LUGAR SECO DESPUÉS DE CADA USO. ESTE MANUAL Y TODO EL CONTENIDO DE ECCOTEMP ESTÁ SUJETO A CAMBIOS SIN NINGÚN TIPO DE AVISO.





¡PELIGRO!

MODELOS DE GAS NATURALES Y GAS LICUADO DE PETRÓLEO

Tanto la de gas licuado de petróleo y de gas natural tienen un olor que ayuda a detectar una fuga de gas. Algunas personas pueden que no puedan olerlo físicamente o puedan reconocer el olor. Si no está seguro o no está familiarizado con el olor del gas licuado de petróleo o el gas natural, pregunte al proveedor de gas. Otras condiciones, como la "reducción del olor" que causan la disminución de la intensidad del olor, pueden esconder o camuflar una fuga de gas. Siempre utilice un detector de fugas comerciales o agua jabonosa.

- Se recomiendan detectores de gas en la utilización de gas licuado de petróleo y gas natural y su instalación debe cumplir con las recomendaciones del fabricante y/o las leyes, reglas y aduanas locales.
- Los calentadores de agua que utilizan gas licuado de petróleo son diferentes de los modelos de gas natural. Un calentador de agua de gas natural no funcionará de manera segura con gas licuado de petróleo y viceversa.
- Nunca se debe intentar convertir un calentador de agua de gas natural en uno de gas licuado de petróleo. Para evitar posibles daños en el equipamiento, lesiones personales o incendio, no conecte el calentador de agua a un tipo de combustible que no corresponda con la placa de datos del tanque portátil: propano para los calentadores de agua portátiles de propano sin tanque y gas natural para los calentadores de agua portátiles de gas natural sin tanque. Estos calentadores de agua portátiles sin tanque no están certificados para ser utilizados con otros tipos de combustibles.
- Los dispositivos de gas licuado de petróleo no deben ser instalados bajo tierra (por ejemplo, en un sótano) si dicha instalación está prohibida por las leyes de un gobierno federal o estatal o las aduanas.
- El propano y el gas licuado de petróleo deben utilizarse con mucho cuidado. Son más pesados que el aire y se agruparán primero en las zonas bajas haciendo que sean difíciles de detectar al nivel de la nariz.
- Antes de intentar encender el calentador de agua, asegúrese de mirar y oler en busca de posibles fugas de gas. Use una solución jabonosa para comprobar todas las juntas y conexiones del gas. El burbujeo en una conexión indica que se debe corregir una fuga. Cuando se huele para detectar una fuga de gas, asegúrese de oler cerca del suelo también.
- Se recomienda utilizar más de un método, como pueden ser una solución jabonosa, detectores de gas y demás para detectar las fugas de gas.

Aviso: Si se presenta o sospecha de una fuga de gas:

- **NO intente encontrar la causa por usted mismo.**
- **NO intente encender ningún dispositivo.**
- **NO toque ningún interruptor eléctrico.**
- **No use ningún teléfono en su edificio.**
- **Deje la casa inmediatamente y asegúrese de que su familia y mascotas también lo hacen.**
- **Deje las puertas abiertas para lograr una ventilación y contacte con el proveedor de gas, una agencia de servicio cualificada o los bomberos.**
- **Manténgase alejado de la casa (o del edificio) hasta haber realizado la llamada pertinente, la fuga haya sido reparada y una agencia cualificada haya determinado que la zona es segura.**

POR FAVOR, TENGA EN CUENTA: ESTE MODELO NO ESTÁ RECOMENDADO NI SE HA PROBADO EN NINGUNA INSTALACIÓN PERMANENTE. ESTE MODELO ES PARTE DE NUESTRA SERIE DE PRODUCTOS PORTÁTILES Y NECESITA SER RETIRADO Y ALMACENADO EN UN LUGAR SECO DESPUÉS DE CADA USO. ESTE MANUAL Y TODO EL CONTENIDO DE ECCOTEMP ESTÁ SUJETO A CAMBIOS SIN NINGÚN TIPO DE AVISO.





⚠️ ADVERTENCIAS ADICIONALES

1. No dejar desatendido.
2. ¡Los gases de escape y la parte de arriba del calentador de agua portátil sin tanque están CALIENTES! No ponga sus manos o ningún objeto extraño sobre la parte de arriba del calentador.
3. No usar bajo condiciones severas de viento.
4. ¡Si se detecta olor a gas, cierre la válvula de gas en el tanque inmediatamente! No usar una llama para la detección de fugas.
5. Usar solamente Propano Líquido.
6. Usar solamente en el exterior.
7. No apriete demasiado la conexión del regulador de gas del calentador de agua portátil sin tanque con una llave inglesa. Esto podría causar una rotura en el regulador de gas.

Propósito y Beneficios del L10

El Eccotemp L10 es un calentador de gas portátil de propano líquido capaz de generar de 2 a 2,65 galones de agua caliente en casi cualquier lado. El calentador de agua portátil sin tanque tiene conexiones de tubería estándar de 1/2" NPT y un adaptador para ser usado con una boca de manguera estándar como suministro de agua.

El L10 no es un juguete. Gente de todo el mundo utiliza calentadores de agua portátiles sin tanque similares para calentar el agua de sus hogares de manera segura y fiable.

El gas se suministra desde un cilindro de propano estándar de 20 libras (no incluido) como los que se utilizan para las barbacoas en la calle. Se suministra un regulador con una manguera con el calentador.

El calentador de agua portátil sin tanque incluye una tapa de lluvia de acero inoxidable que ayuda a ventilar los gases a la vez que la protege para su uso exterior.

También puede instalarlo en una tubería de agua ya existente usando un regulador de gas de baja presión. Revise las normas locales para una correcta instalación.

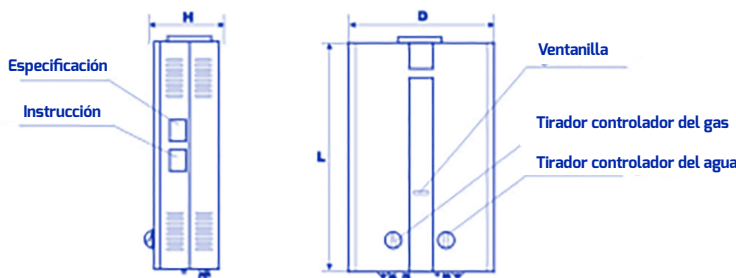
El encendido es automático y generado por 2 baterías de célula "D" (no incluidas). Los quemadores se encienden cuando el agua fluye, y se apagan cuando no entra más agua. ¡No tiene luz de piloto!

POR FAVOR, TENGA EN CUENTA: ESTE MODELO NO ESTÁ RECOMENDADO NI SE HA PROBADO EN NINGUNA INSTALACIÓN PERMANENTE. ESTE MODELO ES PARTE DE NUESTRA SERIE DE PRODUCTOS PORTÁTILES Y NECESITA SER RETIRADO Y ALMACENADO EN UN LUGAR SECO DESPUÉS DE CADA USO. ESTE MANUAL Y TODO EL CONTENIDO DE ECCOTEMP ESTÁ SUJETO A CAMBIOS SIN NINGÚN TIPO DE AVISO.



Funciones y Características

- Encendido automático controlado por agua: Una presión de agua entre 20-80 PSI / 0,75-1,0 GPM abre el circuito de encendido para una cómoda y sencilla operación
- Protección de Auto-cerrado: La protección de auto-cerrado detendrá el suministro de gas inmediatamente en caso de apagado para reducir el riesgo de fuga de gas.
- Ahorro de energía: EF del 85%
- Válvula de drenaje retirable para evitar daños en la tubería del agua y el regulador causados por el agua helada* Por favor, no ajuste el tornillo en el interior del tapón de drenaje, retire el tornillo a la vez que retira el calentador de agua portátil sin tanque.
- Protección contra combustión en seco: El calentador de agua portátil sin tanque cerrará el suministro de gas en el caso de que el suministro de agua deje de entrar al calentador de agua portátil



*Lea la sección de mantenimiento sobre el drenaje del calentador de agua portátil sin tanque para evitar problemas de congelación.

INCREMENTO DE TEMPERATURA POR GPM					
MODELO	Configuración de Gas	1,5 GPM	2,0 GPM	2,5 GPM	3,0 GPM
L10 Portátil	Mayor	96 °	48 °	32 °	25 °
	Menor	34 °	17 °	11 °	9 °

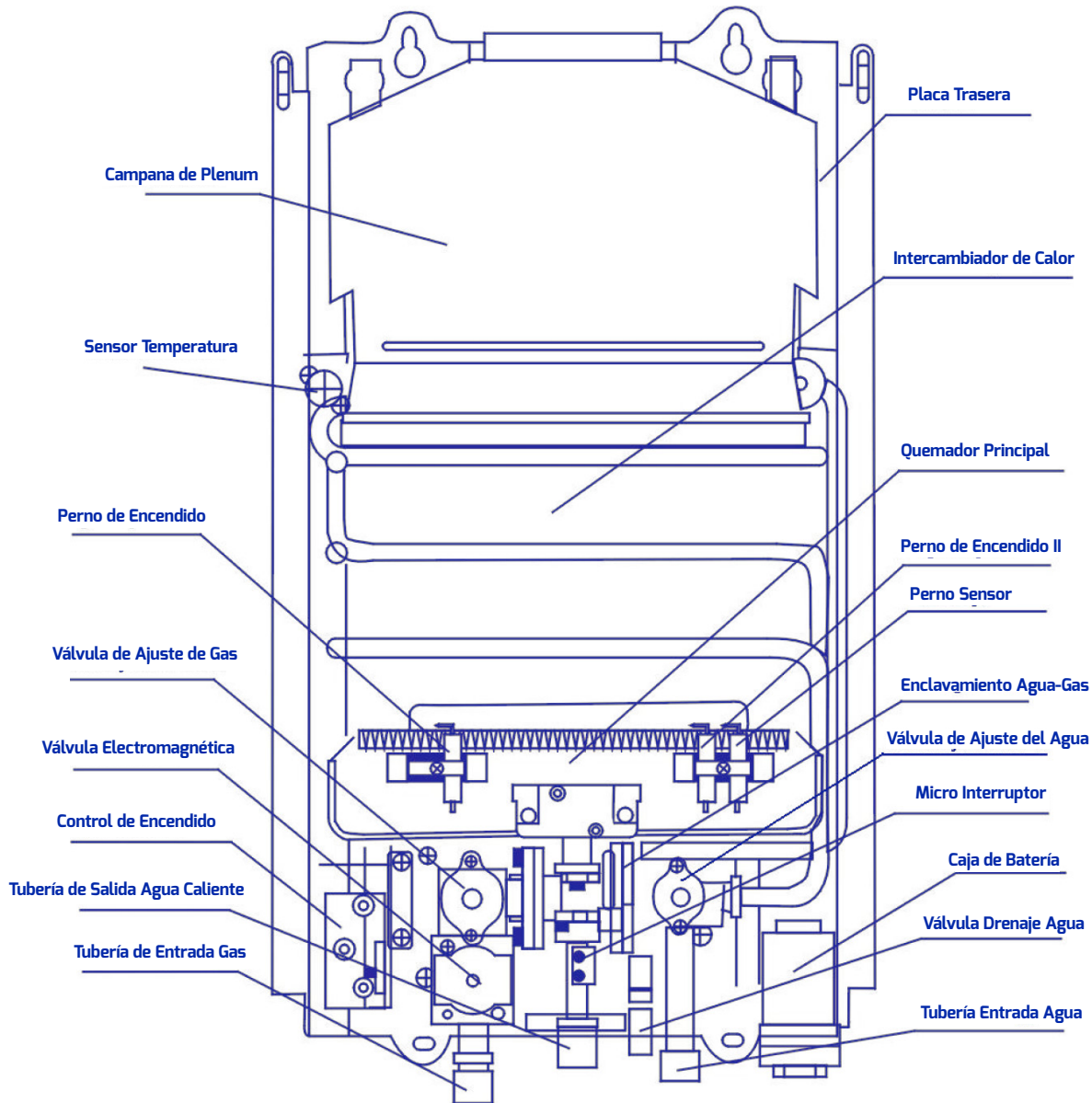
Los incrementos de temperatura listados se basan en el uso del calentador de agua bajo condiciones óptimas. Los factores variables como instalaciones incorrectas o imperfectas y las variantes temperaturas de suministro de agua pueden generar diferentes resultados.

ESPECIFICACIONES TÉCNICAS - PORTÁTIL	
Tipo de Combustible	LPG (Gas propano líquido)
Modelo	L10
Ratio de Activación de Flujo	25 PSI
BTU/h	75,000
Presión de gas relacionada	0,4 PSI
Encendido	Pulso Eléctrico, Batería Célula D (No requiere conexión eléctrica)
Protecciones	Control de agua con corte automático, encendido automático, protección contra combustión en seco, sobrecalentamiento con sobrepresión y protección de apagado
Ancho x alto x profundidad	15" x 6,5" x 35"
Conexiones tubería	1/2 " NPT, agua y gas entrante/saliente
Eficiencia Energética	54 - 87 %

POR FAVOR, TENGA EN CUENTA: ESTE MODELO NO ESTÁ RECOMENDADO NI SE HA PROBADO EN NINGUNA INSTALACIÓN PERMANENTE. ESTE MODELO ES PARTE DE NUESTRA SERIE DE PRODUCTOS PORTÁTILES Y NECESITA SER RETIRADO Y ALMACENADO EN UN LUGAR SECO DESPUÉS DE CADA USO. ESTE MANUAL Y TODO EL CONTENIDO DE ECCOTEMP ESTÁ SUJETO A CAMBIOS SIN NINGÚN TIPO DE AVISO.



Estructura y partes del L10



POR FAVOR, TENGA EN CUENTA: ESTE MODELO NO ESTÁ RECOMENDADO NI SE HA PROBADO EN NINGUNA INSTALACIÓN PERMANENTE. ESTE MODELO ES PARTE DE NUESTRA SERIE DE PRODUCTOS PORTÁTILES Y NECESITA SER RETIRADO Y ALMACENADO EN UN LUGAR SECO DESPUÉS DE CADA USO. ESTE MANUAL Y TODO EL CONTENIDO DE ECCOTEMP ESTÁ SUJETO A CAMBIOS SIN NINGÚN TIPO DE AVISO.



Cómo Empezar

1. Compruebe la caja en búsqueda de daños. Se debe informar inmediatamente de los daños causados en el envío.
2. Asegúrese de tener todas las piezas: Por favor, tenga en cuenta: las piezas y accesorios incluidos pueden variar dependiendo del país y las regulaciones.
 - a. Calentador de Agua
 - b. Juego de herramientas
 - c. Tapa de lluvia
 - d. Adaptador de 1/2" NPT a Manguera de Jardin
 - e. Juego de herramientas
3. Instalar la tapa de lluvia en la parte superior de la ventilación. La tapa de lluvia debería encajar con seguridad. Se recomienda utilizar un sellador de alta temperatura de capas alrededor del perímetro del sellado entre la tapa de lluvia y la ventilación.
4. Al usar una manguera estándar de jardín, acople la 3/4" NPT al adaptador de la manguera del jardín a la conexión denominada "Entrada de Agua". Use Teflon u otro método de sellado aprobado para una conexión segura. Compruebe que la pantalla dentro de la entrada de agua esté en su lugar y limpia.
5. Instale la línea de suministro de gas y el regulador al calentador de agua portátil sin tanque. **NO LA APRIETE DEMASIADO. ¡EL APRETARLO DEMASIADO PUEDE HACER QUE EL REGULADOR DE GAS SE ROMPA CAUSANDO UNA FUGA DE GAS! ¡Compruebe que no exista ningún olor a gas antes del encendido! Asegúrese de que todos los tornillos están apretados hasta el final.**

¡ADVERTENCIA!

ADAPTADOR MANGUERA GAS

LOS CALENTADORES DE AGUA PORTÁTILES SIN TANQUE L5, L7 Y L10 TIENEN UN ADAPTADOR DE 1/2" A 3/8" EN EL PAQUETE DE HERRAMIENTAS PARA ACOPLAR UNA MANGUERA DE GAS LICUADO DE PETRÓLEO AL CALENTADOR.

ESTE ADAPTADOR DEBE SER INSTALADO CON SELLADOR DE ROSCA, SE INCLUYE UN ROLLO DE SELLADOR DE ROSCA CON EL CALENTADOR.

PUEDEN SER NECESARIOS VARIOS CACHOS DE SELLADOR PARA ASEGURAR UN SELLADO TOTAL.

6. Acople la manguera del cabezal de la ducha a la salida de agua a la conexión "Salida de Agua". No la apriete demasiado.
7. Instale dos baterías de célula D en el comportamiento inferior izquierdo del calentador de agua. Compruebe que las baterías están introducidas en la dirección correcta.
8. Use la pestaña superior del calentador de agua portátil sin tanque para sujetarla a un tornillo de montaje capaz de aguantar 30 libras. Colóquela a una cómoda altura sin forzar la manguera del gas. ¡No la sujete desde el asa! ¡No monte permanentemente este calentador de agua portátil sin tanque!
9. Acople el regulador de gas con la manguera al tanque de gas licuado de petróleo. Use solamente la presión manual sobre el conector de plástico. **DEJE LA VÁLVULA DEL TANQUE DE GAS EN LA POSICIÓN DE "APAGADO".**

POR FAVOR, TENGA EN CUENTA: ESTE MODELO NO ESTÁ RECOMENDADO NI SE HA PROBADO EN NINGUNA INSTALACIÓN PERMANENTE. ESTE MODELO ES PARTE DE NUESTRA SERIE DE PRODUCTOS PORTÁTILES Y NECESITA SER RETIRADO Y ALMACENADO EN UN LUGAR SECO DESPUÉS DE CADA USO. ESTE MANUAL Y TODO EL CONTENIDO DE ECCOTEMP ESTÁ SUJETO A CAMBIOS SIN NINGÚN TIPO DE AVISO.



Antes de ir a la sección USO:

Compruebe los alrededores buscando elementos inflamables, especialmente gasolina u otros vapores que podrían incendiarse. ¡Los gases de escape y la parte superior del calentador de agua portátil sin tanque estarán muy CALIENTES! Asegúrese de que no exista ningún objeto extraño alrededor del calentador de agua o que se haya caído sobre la parte superior.

Uso y Arranque

Advertencia: Este modelo tiene un propósito recreacional y portátil. Este modelo NO puede ser permanentemente montado de ninguna manera.

1. Encienda el suministro de agua. Asegúrese de tener una presión de agua correcta de entre 40-80 PSI.
2. Ponga su dispositivo de salida de agua a posición de “apagado”.
3. Abra completamente la válvula del cilindro de gas.
4. SI SE DETECTA OLOR A GAS, ¡CIERRE LA VÁLVULA DEL GAS INMEDIATAMENTE!
5. Ponga el tirador del regulador de agua en la parte frontal del calentador de agua portátil sin tanque en la configuración más alta.
6. Ponga el tirador del regulador de gas en la parte frontal del calentador de agua portátil sin tanque en la configuración más baja.
7. Ponga su dispositivo de salida de agua en posición de “encendido” y ajuste el flujo de agua deseado.
8. Se oirán una serie de clics y el quemador se encenderá. (Si el quemador no se enciende después de 5 segundos, apágelo y vaya a la sección de “Solución de Problemas”).
9. Al terminar con el uso o almacenamiento, abra la válvula de drenaje (vástago cilíndrico ribeteado cerca de la válvula de entrada de agua) para asegurar el drenaje del agua.
10. Apague su suministro de gas.
11. ADVERTENCIA: Si la temperatura exterior está alrededor o es inferior a los 32 grados F o 0 grados C, asegúrese de que la válvula de drenaje está abierta y que el agua se drenó del calentador de agua portátil sin tanque después de cada uso para evitar daños internos al regulador de agua. También necesitará desacoplar la línea de agua saliente para asegurar que todo el agua en el intercambiador de calor sea drenada. El no drenar correctamente el agua de su calentador de agua portátil sin tanque causará daños que puede que no sean reparables. Por favor, compruebe la información de la garantía que puede ser encontrada en nuestra página web www.eccotemp/freeze para saber más sobre los problemas de congelamiento.

POR FAVOR, TENGA EN CUENTA: ESTE MODELO NO ESTÁ RECOMENDADO NI SE HA PROBADO EN NINGUNA INSTALACIÓN PERMANENTE. ESTE MODELO ES PARTE DE NUESTRA SERIE DE PRODUCTOS PORTÁTILES Y NECESITA SER RETIRADO Y ALMACENADO EN UN LUGAR SECO DESPUÉS DE CADA USO. ESTE MANUAL Y TODO EL CONTENIDO DE ECCOTEMP ESTÁ SUJETO A CAMBIOS SIN NINGÚN TIPO DE AVISO.



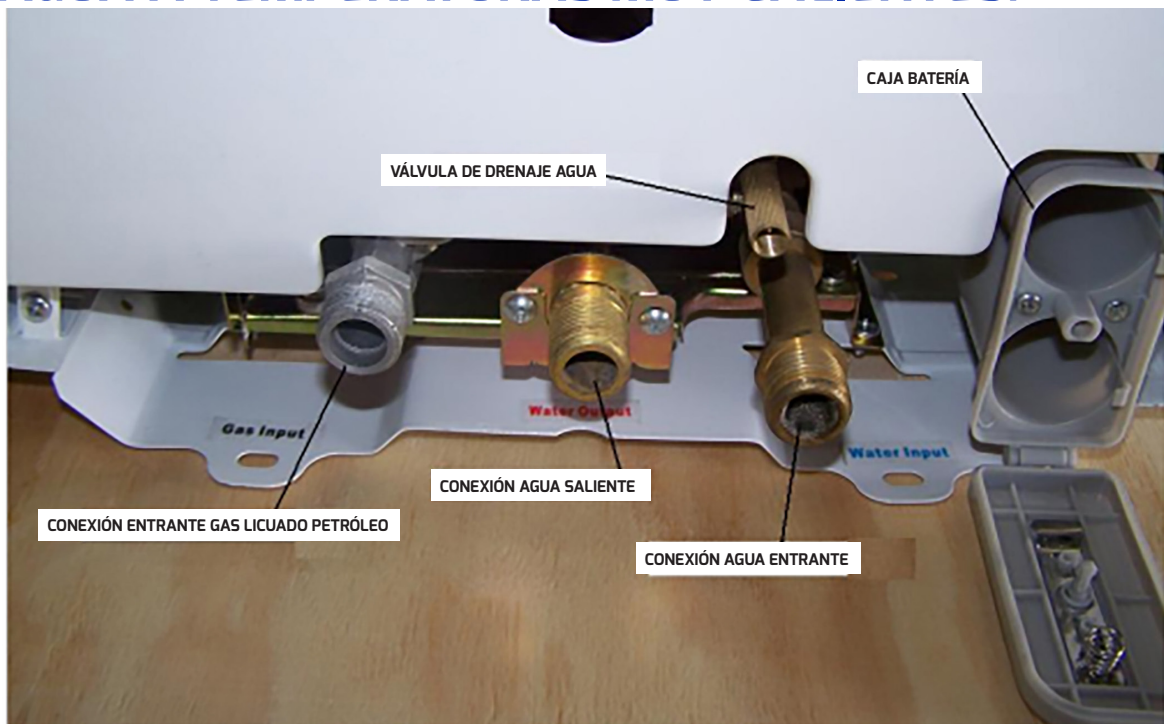
Ajuste

La temperatura del agua saliente depende de la temperatura del agua entrante teniendo en cuenta la cantidad de calor aplicado. Tenga mucho cuidado al configurar la temperatura del agua saliente.

1. Con el regulador de agua al máximo y el regulador de gas al mínimo, sienta el agua saliente. Esta es la configuración más baja posible.
2. Para comenzar a subir la temperatura, vaya moviendo la válvula del gas poco a poco hacia el máximo. Hágalo poco a poco y compruebe la temperatura frecuentemente. Habrá un retraso mínimo entre el incremento del suministro de gas y el incremento de la temperatura del agua.
3. Si el agua saliente necesita estar más caliente, reduzca lentamente el flujo del regulador del agua hasta que se alcance la temperatura deseada.

(Advertencia: No altere o cambie la temperatura original del sensor del calentador

ADVERTENCIA: ¡EL CALENTADOR DE AGUA PORTÁTIL SIN TANQUE ES CAPAZ DE PRODUCIR AGUA A TEMPERATURAS MUY CALIENTES!



POR FAVOR, TENGA EN CUENTA: ESTE MODELO NO ESTÁ RECOMENDADO NI SE HA PROBADO EN NINGUNA INSTALACIÓN PERMANENTE. ESTE MODELO ES PARTE DE NUESTRA SERIE DE PRODUCTOS PORTÁTILES Y NECESITA SER RETIRADO Y ALMACENADO EN UN LUGAR SECO DESPUÉS DE CADA USO. ESTE MANUAL Y TODO EL CONTENIDO DE ECCOTEMP ESTÁ SUJETO A CAMBIOS SIN NINGÚN TIPO DE AVISO.



NO DEVOLVER A LA TIENDA

¡Por favor, visite nuestro centro de ayuda en www.eccotemp.com o contacte con nosotros vía correo electrónico en support@eccotemp.com si tiene algún problema!

Solución de Problemas

El calentador de agua portátil sin tanque no arranca - no se oyen clics al arrancar:

- a. Lo primero a comprobar es asegurar que el agua entra en la parte “derecha” del calentador de agua portátil sin tanque. Si el entrante y saliente están intercambiados, el calentador de agua caliente portátil no funcionará. El entrante está en la parte más derecha y el saliente en el medio.
- b. Compruebe que tenga baterías nuevas y que estén instaladas en la posición correcta.
- c. La razón número uno por la que el calentador de agua portátil sin tanque no arranca es debido a que no existe suficiente presión de agua. Tiene que asegurarse de tener un mínimo de presión de 20 PSI. El agua municipal debería proporcionar una suficiente presión de agua. La mayoría de bombas de 12/24/120 voltios funcionarán siempre que sean capaces de generar una presión de agua de por lo menos 35 PSI y 1,6 GPM.

AJUSTE: Mirando a la parte inferior del calentador de agua portátil sin tanque, verás dos hendiduras en la carcasa donde se junta la parte delantera con la trasera. Encuentre el regulador de agua donde verá dos tornillos de cabeza Philip. Afloje el tornillo más a la derecha un 1/4 o 1/2. Esto permitirá que el calentador de agua portátil sin tanque operar con una menor presión de agua restringiendo el flujo.

NOTA: Antes de intentar retirar la carcasa, llame al soporte técnico al 866.356.1992

- d. Un cable se ha desconectado dentro del calentador de agua portátil sin tanque durante el envío. Asegúrese de que el gas esté APAGADO y el interruptor esté en posición de APAGADO. La cubierta frontal está sujeta mediante cuatro tornillos, dos superiores y dos inferiores. Todo el cableado se hace mediante conectores de plástico. Todo son visibles sin tener que desmontar el calentador de agua portátil sin tanque. Debería ser obvio cuando un cable se ha desconectado.
- e. Es posible que algunos restos de epoxi hayan entrado en el regulador de agua. Compruebe si la pantalla del filtro en la entrada del agua está limpia de restos. También puede revertirlo conectándola a su salida de agua y limpiando el sistema.
- f. Algunas veces los cilindros de gas están contaminados con aire, especialmente los tanques nuevos que reciben su primer relleno. Haga ciclos de encendido y apagado del calentador de agua portátil sin tanque usando el cabezal de ducha varias veces (5) para purgar el aire del gas.

Si un calentador de agua portátil sin tanque falla al encenderse después de 10 ciclos, por favor, visite www.eccotemp.com/helpdesk o contacte con nosotros vía correo electrónico en support@eccotemp.com para pasos adicionales de solución de problemas.

El calentador de agua portátil sin tanque no arranca - pero se oyen clics al arrancar:

- a. Si el tubo de ventilación está bloqueado, o no es lo suficientemente largo, el calentador de agua portátil sin tanque se apagará al de unos minutos. La longitud recomendada del tubo de ventilación vertical es de por lo menos 1 metro.
- b. El calentador de agua portátil sin tanque requiere un mínimo de 0,75 galones (2 litros) por minuto y un mínimo de 20 PSI / 1,38 Bar*. Tenga en cuenta que dicha presión de agua es la mínima para que funcione. Necesitará una presión sostenible de unos 40-60 PSI / 2,7-4,1 bar para su uso adecuada si usted está utilizando una bomba de 12/18/120 voltios. Eche un vistazo a los ajustes en la sección previa.

POR FAVOR, TENGA EN CUENTA: ESTE MODELO NO ESTÁ RECOMENDADO NI SE HA PROBADO EN NINGUNA INSTALACIÓN PERMANENTE. ESTE MODELO ES PARTE DE NUESTRA SERIE DE PRODUCTOS PORTÁTILES Y NECESITA SER RETIRADO Y ALMACENADO EN UN LUGAR SECO DESPUÉS DE CADA USO. ESTE MANUAL Y TODO EL CONTENIDO DE ECCOTEMP ESTÁ SUJETO A CAMBIOS SIN NINGÚN TIPO DE AVISO.



Continuación Solución de Problemas

c. Falta o poco gas. Algunas veces los cilindros de gas están contaminados con aire, especialmente los tanques nuevos que reciben su primer relleno. Haga ciclos de encendido y apagado del calentador de agua portátil sin tanque usando el cabezal de ducha varias veces (5) para purgar el aire del gas.

d. uno de los sensores de encendido está doblado y/o demasiado cerca del quemador. Asegúrese de que los pernos de encendido y el sensor de calor estén completamente en vertical y que formen un ángulo de 90 grados con la parte trasera de la caja. Si no están derechos (por ejemplo, con un ángulo de 45 grados), entonces los puede enderezar con unos alicates.

e. El termopar está demasiado alto o demasiado bajo para completar el circuito. Asegúrese de que el termopar descarga con el agujero en el intercambiador de calor.

f. El cable del sensor del gas puede estar suelto o ya no está conectado.

g. Existe un sensor de calor que falla. Esto normalmente se descubre retirando la carcasa frontal del calentador de agua y dejando que funcione. Si sigue funcionando, entonces uno de los sensores y/o el arnés del cable debe ser sustituido. Esto también puede ser causado por una insuficiente separación en la parte trasera del calentador de agua portátil sin tanque en la que se encuentra la mayoría de admisión de aire.

h. La válvula del tanque de propano debería estar "Abierta" al completo.

i. Se necesitan baterías en buen estado para la chispa de encendido. Asegúrese de que las baterías están alineadas con la polaridad correcta (+/-).

El agua fluye, pero no sale agua caliente:

a. Asegúrese de que tiene el suministro de agua entrante y el suministro de agua saliente debidamente conectados. Su suministro de agua debe ser conectado a su conexión entrante (ubicado en la parte más a la derecha) y el cabezal de ducha debe ser conectado al agua saliente (ubicado como conexión central).

b. Asegúrese de que cuenta con una presión de agua adecuada, de al menos 20 PSI / 1,38 bar estables.

c. Asegúrese de que tiene el gas adecuado en su bombona de propano y que el regulador de gas licuado de petróleo está conectado totalmente al calentador de agua portátil sin tanque.

d. Se necesitan baterías en buen estado para la chispa de encendido. Asegúrese de que las baterías están alineadas con la polaridad correcta (+/-).

Si todavía está teniendo problemas o trabaja con un sistema de agua modificado, por favor, visite nuestro centro de ayuda ubicado en www.eccotemp.com

El calentador de agua portátil sin tanque no hace nada:

a. Asegúrese de tener su suministro de agua conectado en el lado de entrada de agua (la conexión más a la derecha) y que el cabezal de ducha está conectado al lado de la salida de agua (conexión del medio).

b. Asegúrese de que tiene un suministro adecuado de propano.

c. Asegúrese de que tiene baterías en buen estado.

Si todavía está teniendo problemas o trabaja con un sistema de agua modificado, por favor, llame a nuestro soporte técnico al 866.356.1992

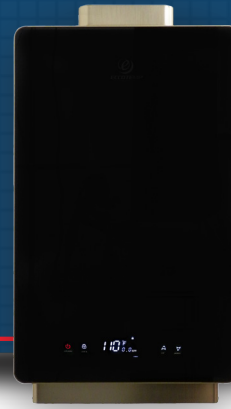


Tabla Comparación Productos Eccotemp

L5 Series

i12 Series

45 Series



Especificaciones	Exterior L5 Series	Interior i12 Series	Interior / Exterior 45 Series
BTU	37,500	80,000	155,000
Ratio de Flujo	Evaluado como 1,45 GPM	Evaluado como 3 GPM	Evaluado como 6,8 GPM
Portátil	Sí	No	No
Fuente Energía	Baterías Célula 2 "D"	120 VAC	120 VAC
Tipo de Gas	Solamente Propano Líquido	Disponible en GN y GP	Disponible en GN y GP
Ventilación	No Necesario	Ventilación Horizontal (Incluida)	Vendidos por Separado
Presión de Agua	20-80 PSI	20-80 PSI - Flujo Activado	14-80 PSI - Flujo Activado
Regulador y Manguera	Estándar / Incluido	No Incluido	No Incluido
Control de Temperatura	Manual 80° - 120°	Automático 90° - 140°	Automático 90° - 140°
Garantía	1 año	2 Años - Intercambiador de Calor 2 Años - Piezas	10 Años - Intercambiador de Calor 5 Años - Piezas
Dimensiones del Producto	12" x 4,5" x 20" - 11,2 lbs	27.5" x 15.7" x 10.9" - 24.25 lbs	15" x 5" x 24" - 38 lbs
Dimensiones del Paquete	12,4" x 7,7" x 21,9" - 13,8 lbs	27.5" x 15.7" x 10.9" - 28.7 lbs	16" x 7.5" x 27.9" - 40 lbs



¡Escanea para comprar!



¡Escanea para comprar!



¡Escanea para comprar!

POR FAVOR, TENGA EN CUENTA: ESTE MODELO NO ESTÁ RECOMENDADO NI SE HA PRUBADO EN NINGUNA INSTALACIÓN PERMANENTE. ESTE MODELO ES PARTE DE NUESTRA SERIE DE PRODUCTOS PORTÁTILES Y NECESITA SER RETIRADO Y ALMACENADO EN UN LUGAR SECO DESPUÉS DE CADA USO. ESTE MANUAL Y TODO EL CONTENIDO DE ECCOTEMP ESTÁ SUJETO A CAMBIOS SIN NINGÚN TIPO DE AVISO.



Eccotemp Systems ,LLC

Información de Garantía Limitada

EccoTemp garantiza que este producto está libre de defectos materiales y de fabricación cuando se instale y se opere de acuerdo a las instrucciones de instalación y operación de EccoTemp. Esta Garantía Limitada se extiende a su comprador original y a los subsecuentes propietarios, pero solamente siempre que el producto permanezca en el lugar original de la instalación. Esta Garantía Limitada termina si se mueve o se reinstala en una nueva ubicación. No existen garantías, ya sean explícitas o implícitas que no sean las descritas en esta Garantía Limitada. Ningún agente, empleado o representante de EccoTemp tiene autoridad para comprometer a EccoTemp de ninguna representación de garantía relacionada con el Producto que no aparezca en esta Garantía Limitada.

A excepción de lo expresamente establecido en el presente documento , no HAY NINGUNA REPRESENTACIÓN O GARANTÍA, EXPRESA O IMPLÍCITAS, INCLUYENDO , SIN LIMITACIONES, EN CUANTO A COMERCIALIZACIÓN O IDONEIDAD PARA UN DETERMINADO PROPÓSITO CON RESPECTO A LOS BIENES VENDIDOS EN VIRTUD. EL RECURSO EXCLUSIVO DEL COMPRADOR SE LIMITA A LA REPARACIÓN O REEMPLAZO DE LOS PRODUCTOS VENDIDOS, A DISCRECIÓN DE ECCOTEMP. ECCOTEMP NO SERÁ RESPONSABLES POR DAÑOS DIRECTOS O INDIRECTOS.

Periodo de Cobertura del Elemento

Intercambiador de Calor 1 año
 Todas las demás piezas 1 año
 Accesorios Gratuitos (Cabezal de ducha, manguera, regulador) 30 días

Las coberturas se anulan si la unidad se utiliza en un circuito de circulación de agua caliente, en serie con un sistema de circulación o

donde no se incorpora un sistema de recirculación bajo demanda.

El propietario es responsable de todos los otros costos relacionados con la reparación tales como mano de obra, envío, entrega y permisos. Prueba de compra requerida. Los productos reparados estarán cubiertos por esta garantía limitada por el resto del plazo de la compra original.

Esta Garantía Limitada quedará automáticamente anulada y sin efecto si cualquiera de los siguientes están decididos a ser un factor contribuyente a la falla del producto:

1. Abuso, mal uso, alteración, negligencia o uso indebido;
2. Mantenimiento incorrecto o inadecuado;
3. Calidad de agua inadecuada;
4. Instalación en un entorno corrosivo destructivo;
5. Daño por Congelación;
6. Acumulación de Sarro;
7. Gas o presión de agua incorrectos;
8. Casos de fuerza mayor

Este producto no se para ser usado como una piscina o calentador de spa.

Costes de Envío Relacionados:

Dentro de los primeros 30 días de la compra , EccoTemp cubrirá todos los gastos de envío por tierra relacionados con cuestiones de garantía, excluyendo Alaska, Hawái, Canadá y cualquier punto fuera de los EE.UU. continental. Después de los primeros 30 días de compra, EccoTemp cubrirá todos los gastos de envío al cliente de problemas relacionados con la garantía, con exclusión de AK, HI, Canadá, y cualquier lugar fuera de los EE.UU. continental. Después de los primeros 30 días de la compra, el cliente es responsable de todo el envío de EccoTemp, independientemente de la razón o circunstancia. El método de envío dentro de garantía será con el proveedor elegido por EccoTemp.

AK, HI, Canadá, y cualquier lugar fuera de los EE.UU. continental, será responsable de todos los gastos de envío, independientemente de la razón o circunstancia.

POR FAVOR, TENGA EN CUENTA: ESTE MODELO NO ESTÁ RECOMENDADO NI SE HA PROBADO EN NINGUNA INSTALACIÓN PERMANENTE. ESTE MODELO ES PARTE DE NUESTRA SERIE DE PRODUCTOS PORTÁTILES Y NECESITA SER RETIRADO Y ALMACENADO EN UN LUGAR SECO DESPUÉS DE CADA USO. ESTE MANUAL Y TODO EL CONTENIDO DE ECCOTEMP ESTÁ SUJETO A CAMBIOS SIN NINGÚN TIPO DE AVISO.



Todos los envíos de cualquier tipo de producto que tengan como receptor a Eccotemp por cualquier motivo deben tener un RGA para cualquier reparación a hacerse. Por favor, póngase en contacto con Eccotemp para obtener un número RGA antes de enviar cualquier cosa a Eccotemp. Si no lo hace, podrá resultar en la pérdida de producto. Eccotemp no será responsable del reemplazo debido a la pérdida o daño si estos pasos no se siguen correctamente.

Extensión de Garantía:

Características de Garantía:

- * Reemplazo total de tus elementos rotos sin problemas.
- * La cobertura comienza justo después de que caduque la garantía del fabricante.
- * No incluye accidentes.

Características Estándar:

- * Sin comisiones escondidas o costes de reparación
- * Si un producto no puede ser reparado, será sustituido
- * Protección subida de tensión
- * Sustitución gratuita del producto si requiere 3 reparaciones en un año (después de que caduque la garantía del fabricante)
expire)

La extensión de garantía se ofrece mediante otra compañía con la que nos hemos asociado, Warranty Life.

Para obtener más información, por favor visite www.warrantylife.com. A las 24 horas de la compra de su extensión de garantía, usted recibirá un correo electrónico con toda la información de su extensión de garantía. Todas las quejas deben hacerse directamente a Warranty Life, "No" a Eccotemp.

LAS EXTENSIONES DE GARANTÍA SE APLICAN SOLAMENTE A LOS PEDIDOS DENTRO DE ESTADOS UNIDOS HOY EN DÍA

POR FAVOR, TENGA EN CUENTA: ESTE MODELO NO ESTÁ RECOMENDADO NI SE HA PROBADO EN NINGUNA INSTALACIÓN PERMANENTE. ESTE MODELO ES PARTE DE NUESTRA SERIE DE PRODUCTOS PORTÁTILES Y NECESITA SER RETIRADO Y ALMACENADO EN UN LUGAR SECO DESPUÉS DE CADA USO. ESTE MANUAL Y TODO EL CONTENIDO DE ECCOTEMP ESTÁ SUJETO A CAMBIOS SIN NINGÚN TIPO DE AVISO.



POR FAVOR, TENGA EN CUENTA: ESTE MODELO NO ESTÁ RECOMENDADO NI SE HA PROBADO EN NINGUNA INSTALACIÓN PERMANENTE. ESTE MODELO ES PARTE DE NUESTRA SERIE DE PRODUCTOS PORTÁTILES Y NECESITA SER RETIRADO Y ALMACENADO EN UN LUGAR SECO DESPUÉS DE CADA USO. ESTE MANUAL Y TODO EL CONTENIDO DE ECCOTEMP ESTÁ SUJETO A CAMBIOS SIN NINGÚN TIPO DE AVISO.



ECCOTEMP
EL FUTURO DE LA EFICIENCIA

ECCOTEMP SYSTEMS LLC | EMAIL: SUPPORT@ECCOTEMP.COM | DIRECCIÓN: 315 - A INDUSTRIAL RD SUMMERVILLE, SC 29483

 SOPORTE PRODUCTO: ECCOTEMP.COM/HELP-DESK  COMPRAR ONLINE: ECCOTEMP.COM/PRODUCT  BUSCADOR TIENDAS: ECCOTEMP.COM/LOCATOR

ECCOTEMP.COM





ECCOTEMP
L'AVENIR DE L'EFFICACITÉ

L10

ECCOTEMP

CHAUFFE-EAU INSTANTANÉ



ECCOTEMP L10 SANS RÉSERVOIR PORTABLE

CHAUFFE-EAU

MANUEL D'UTILISATION ET D'ENTRETIEN

AVEC LES INSTRUCTIONS D'INSTALLATION POUR LES INSTALLATEURS

ECCOTEMP SYSTEMS LLC | EMAIL: SUPPORT@ECCOTEMP.COM | ADRESSE: 315 - A INDUSTRIAL RD SUMMERVILLE, SC 29483



SUPPORT PRODUIT: ECCOTEMP.COM/HELP-DESK



MAGASIN EN LIGNE: ECCOTEMP.COM/PRODUCT



LOCALISATION DU MAGASIN: ECCOTEMP.COM/LOCATOR

ECCOTEMP.COM



Félicitations!

Vous venez d'acheter un nouveau chauffe-eau portable Eccotemp L10 sans réservoir. Cela vous permettra de profiter d'un monde de plaisir sans réservoir!

Nous vous suggérons fortement de prendre le temps de lire toutes les procédures de sécurité et d'installation de ce manuel, avant de tenter d'installer votre nouveau chauffe-eau.

Si vous avez des questions, visitez notre service d'assistance sur le www.eccotemp.com pour plus d'informations.

Sécurité générale	3-6
Présentation	5
Caractéristiques et avantages ..	7-9
Mises en garde	9-10
Guide d'installation	10
Installation électrique	11
Garantie limitée	12
Garantie procédure de réclamation .	12
Guide de dépannage	12
Spécificités du produit	13-14
Schémas de câblage	15
Service & Information de garantie.	16



POUR VOS DOSSIERS

Écrivez le modèle et les numéros de série ici:

Vous pouvez les trouver sur une étiquette apposée sur l'appareil et / ou l'emballage.

Agrafez le reçu de vente ou chèque annulé ici.

La preuve de la date d'achat originale est nécessaire pour obtenir le service de garantie.



LIRE CE MANUEL

Vous y trouverez de nombreux conseils utiles sur la façon d'utiliser et d'entretenir votre chauffe-eau correctement.

Un peu de soin préventif de votre part peut vous faire économiser du temps et de l'argent sur la durée de votre chauffe-eau.

Vous trouverez de nombreuses réponses à des problèmes communs dans le Guide de dépannage.

Si vous examinez dans un premier temps ce dernier, vous pourrez ne pas avoir besoin d'appeler le service.



LIRE LES INFORMATIONS DE SÉCURITÉ





Votre sécurité et celle des autres est très importante. Il existe de nombreux messages de sécurité importants dans ce manuel et sur votre appareil. Toujours lire et respecter les consignes de sécurité.

Il s'agit du symbole d'alerte de sécurité. Veuillez considérer ce symbole comme une indication de sécurité importante!

Ce symbole vous signale les dangers potentiels qui peuvent tuer ou blesser.

Tous les messages de sécurité suivront le symbole d'alerte de sécurité et les mots: **"DANGER", "AVERTISSEMENT", "ATTENTION"** ou **"AVIS"**.

Ces mots signifient:

-  **DANGER - Une situation dangereuse imminente qui entraînera la mort ou des blessures graves.**
-  **AVERTISSEMENT - Une situation potentiellement dangereuse qui peut entraîner la mort ou des blessures graves et / ou des dommages à la propriété.**
-  **ATTENTION - Une situation potentiellement dangereuse qui peut entraîner des blessures mineures ou modérées.**
-  **AVIS: L'attention est attirée afin d'observer une procédure déterminée ou de maintenir une condition spécifique**

IMPORTANTES INFORMATIONS DE SÉCURITÉ : LISEZ LES INSTRUCTIONS AVANT UTILISATION

Assurez vous de lire et de comprendre le manuel d'utilisation et d'entretien avant d'essayer d'installer ou de faire fonctionner ce chauffe-eau. Cela peut vous faire économiser temps et argent. Portez une attention particulière aux consignes de sécurité. Le non-respect de ces avertissements peut entraîner des blessures corporelles graves ou la mort. Si vous avez des difficultés à comprendre les instructions de ce manuel, ou avez des questions, ARRETEZ VOUS, et demandez l'aide d'un technicien qualifié, ou de votre fournisseur de gaz local.

DANGER!

Installez correctement le chauffe-eau



Une mauvaise installation du chauffe-eau à l'extérieur, comme indiqué dans les instructions d'installation de ce manuel, peut entraîner une utilisation dangereuse du chauffe-eau. Pour éviter les risques d'incendie, d'explosion ou l'asphyxie au monoxyde de carbone, ne jamais faire fonctionner ce chauffe-eau s'il n'est pas correctement installé et avec une alimentation en air suffisante pour un fonctionnement correct.

Assurez-vous d'inspecter le conduit de fumée pour une installation correcte au démarrage initial; et au moins annuellement par la suite. Reportez-vous à la section Entretien et nettoyage de ce manuel pour plus d'informations concernant l'inspection du conduit de fumée.

ATTENTION!



L'essence, ainsi que d'autres matériaux et liquides inflammables (colles, solvants, diluants à peinture, etc.), et les vapeurs qu'ils produisent sont extrêmement dangereux. NE PAS manipuler, ou utiliser d'essence ni d'autres matériaux inflammables ou combustibles n'importe où à proximité ou dans le voisinage d'un chauffe-eau ou de tout autre appareil. Assurez-vous de lire et de suivre les étiquettes sur le chauffe-eau, ainsi que les avertissements indiqués dans ce manuel. Ne pas respecter ces consignes pourrait entraîner des dommages matériels, des blessures corporelles ou la mort.

 **DANGER**



<p> Les vapeurs de liquides inflammables exploseront et prendront feu causant la mort ou de graves brûlures.</p> <p>Ne pas utiliser ou stocker des produits inflammables tels que l'essence, des solvants ou des adhésifs dans la même pièce ou à proximité du chauffe-eau.</p> <p>Conserver les produits inflammables:</p> <ol style="list-style-type: none"> 1. Loin de la chauffe 2. Dans des contenaires approuvés 3. Hermétiquement fermés 4. Hors de la portée des enfants <p>Installation: Ne pas installer le chauffe-eau dans un endroit où des produits inflammables seront entreposés ou utilisés, à moins que la flamme du brûleur principal soit au moins à 46 cm au dessus du sol. Cela permettra de réduire, mais non éliminer, le risque d'inflammation des vapeurs par la flamme du brûleur principal.</p>	<p>Le chauffe-eau a une flamme de brûleur principal. La flamme du brûleur principal</p> <ol style="list-style-type: none"> 1. peut venir à tout moment et 2. Enflammera les vapeurs <p>Les vapeurs:</p> <ol style="list-style-type: none"> 1. ne peuvent être vus 2. sont plus lourdes que l'air 3. se répandent largement sur le sol 4. peuvent provenir d'autres pièces jusqu'à la flamme du brûleur principal par les courants d'air.
--	--

Lire et suivre les avertissements et instructions du chauffe-eau. Si le manuel du propriétaire est absent, contactez le revendeur ou le fabricant.

VEUILLEZ NOTER: CE MODELE N'EST PAS RECOMMANDE ET N'A PAS ETE TESTE POUR DES INSTALLATIONS PERMANENTES. CE MODELE FAIT PARTIE DE NOTRE SERIE « PORTABLE » ET DOIT ETRE DEMONTE ET ENTREPOSE DANS UN ENDROIT CHAUD ET SEC APRES CHAQUE UTILISATION. CE MANUEL ET TOUS LES CONTENUS ECCOTEMP SONT SUJET A MODIFICATIONS SANS PRÉAVIS.





! DANGER!

LES MODELES AU GAZ NATUREL ET PETROLE LIQUEFIE

Les deux modèles pétrole liquéfié et gaz naturel ont un odorant ajouté pour aider à la détection d'une fuite de gaz. Certaines personnes peuvent ne pas être physiquement capables de sentir ou de reconnaître cet odorant. Si vous êtes incertain ou peu familier avec l'odeur du pétrole liquéfié ou du gaz naturel, veuillez vous rapprocher de votre fournisseur de gaz. Dans d'autres conditions, telle qu'avec un "odorant diminué", cela peut entraîner une substance odorante qui a diminué en intensité, et qui peut également masquer ou camoufler une fuite de gaz. Toujours vérifier avec un détecteur de fuite ou de l'eau savonneuse.

- **Les détecteurs de gaz sont recommandés dans les applications de pétrole liquéfié et de gaz naturel et leur installation doit être en conformité avec les recommandations du fabricant du détecteur et / ou les lois locales, réglementations ou usages.**
- Les chauffe-eau utilisant du pétrole liquéfié sont différents des modèles au gaz naturel. Un chauffe-eau au gaz naturel ne fonctionnera pas en toute sécurité avec du pétrole liquéfié et vice versa.
- Aucune tentative ne devrait être faite pour convertir le chauffe-eau au gaz naturel en chauffe-eau à pétrole liquéfié. Pour éviter d'endommager l'équipement, des blessures ou un incendie, ne pas raccorder le chauffe-eau à un type de carburant non conforme avec le chauffe-eau portable; du propane pour le chauffe-eau à propane et le gaz naturel pour le chauffe-eau au gaz naturel. Ces chauffe-eau sans réservoir portables ne sont pas certifiés pour tout autre type de carburant.
- Les appareils à pétrole liquéfié ne doivent pas être installés en sous-sol si une telle installation est interdite par les autorités fédérales, étatiques et / ou les lois locales, réglementations ou usages.
- Le propane ou le gaz à pétrole liquéfié doit être utilisé avec beaucoup de prudence. Il est plus lourd que l'air et se répartira en premier lieu dans les zones inférieures ce qui le rend difficile à détecter au niveau du nez.
- Avant de tenter d'allumer le chauffe-eau, recherchez visuellement et tentez de sentir les fuites de gaz éventuelles. Utilisez une solution savonneuse pour vérifier tous les raccords de gaz et les connexions. Des bulles au niveau d'une connexion indiquent une fuite qui devra être réparée. Lorsque vous sentez une fuite de gaz, veuillez également prêter attention à l'odeur près du sol.
- Il est recommandé d'utiliser plus d'une méthode pour détecter les fuites de gaz dans les conduits, comme une solution savonneuse, un détecteur de gaz, etc.

Remarque: si une fuite de gaz est présente ou soupçonnée:

- **NE PAS tenter de trouver la cause vous-même.**
- **NE PAS tenter d'allumer l'appareil.**
- **Ne touchez aucun interrupteur électrique.**
- **NE PAS utiliser le téléphone dans votre bâtiment.**
- **Sortez de la maison immédiatement et assurez-vous que votre famille et vos animaux domestiques soient sortis également.**
- **Laissez les portes ouvertes pour la ventilation et contactez le fournisseur de gaz, une agence de service qualifié ou le service d'incendie.**
- **Restez à l'écart de la maison (ou bâtiment) jusqu'à ce que l'appel à un service compétent ait été effectué, que la fuite soit réparée et qu'une agence qualifiée ait déterminé la zone de sûreté.**

VEUILLEZ NOTER: CE MODELE N'EST PAS RECOMMANDE ET N'A PAS ETE TESTE POUR DES INSTALLATIONS PERMANENTES. CE MODELE FAIT PARTIE DE NOTRE SERIE « PORTABLE » ET DOIT ETRE DEMONTE ET ENTREPOSE DANS UN ENDROIT CHAUD ET SEC APRES CHAQUE UTILISATION. CE MANUEL ET TOUS LES CONTENUS ECCOTEMP SONT SUJET A MODIFICATIONS SANS PRÉAVIS.





⚠️ AVERTISSEMENTS SUPPLÉMENTAIRES

1. Ne pas laisser sans surveillance.
2. Le gaz d'échappement et le dessus du chauffe-eau sans réservoir portatif est chaud! Ne placez pas les mains ou tout objet étranger sur le haut de l'appareil de chauffage.
3. Ne pas utiliser dans des conditions de vent fort.
4. Si une odeur de gaz est détectée, fermez le robinet de gaz au niveau du réservoir immédiatement! Ne pas utiliser de flamme pour la détection de fuites.
5. Utilisez uniquement de propane liquide.
6. Utilisez seulement en plein air.
7. Ne pas trop serrer la connexion du régulateur de gaz du chauffe-eau avec une clé. Cela peut provoquer une fissure dans le régulateur de gaz.

LE BUT ET LES AVANTAGES DU L10

L'Eccotemp L10 est un chauffe-eau à propane liquide capable de délivrer 7,57 à 10,03 litres d'eau chaude pratiquement dans n'importe quel endroit. Le chauffe-eau sans réservoir portatif dispose d'1/2 "NPT de raccords de tuyauterie standard et d'un adaptateur pour utiliser un tuyau d'arrosage standard pour l'approvisionnement en eau d'entrée.

Le L10 n'est pas un jouet. Des personnes utilisent des chauffe-eau sans réservoir portatif similaires à travers le monde pour chauffer l'eau autour de leurs maisons, de façon sécurisée et fiable.

Le gaz est fourni à partir d'une bouteille de propane de 20 livres standard (non fourni), comme celles utilisées pour les grilles de plein air. Un régulateur avec tuyau est fourni avec l'appareil.

Vous pouvez raccorder le chauffe-eau à une ligne d'eau existante en utilisant un régulateur de GPL à basse pression.

Le chauffe-eau portable est fourni avec un socle en acier inoxydable qui permet aussi bien de ventiler le flux de gaz que de protéger l'appareil d'un usage en extérieur.

L'allumage est automatique et alimenté par 2 piles «D» (non incluses). Les brûleurs s'allument à partir du moment où il y a du débit d'eau, et s'éteignent lorsque l'eau est coupée. Aucune lumière n'est présente pour avertir!

Il y a un arrêt minuterie automatique de 20 minutes qui est considéré comme un élément de sécurité supplémentaire. Cette temporisation est réinitialisée à chaque fois que l'opération s'arrête ou que la pomme de douche est éteinte puis rallumée.

L'utilisation idéale de fonctionnement se fait avec une pression d'eau entre 20-80 PSI.

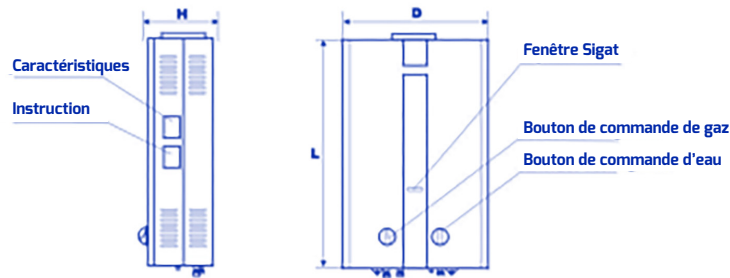
Ignition is automatic and powered by 2 "D" cell batteries (not included). Burners come on when water flows, and off when the water is shut off. No pilot light.

VEUILLEZ NOTER: CE MODELE N'EST PAS RECOMMANDE ET N'A PAS ETE TESTE POUR DES INSTALLATIONS PERMANENTES. CE MODELE FAIT PARTIE DE NOTRE SERIE « PORTABLE » ET DOIT ETRE DEMONTE ET ENTREPOSE DANS UN ENDROIT CHAUD ET SEC APRES CHAQUE UTILISATION. CE MANUEL ET TOUS LES CONTENUS ECCOTEMP SONT SUJET A MODIFICATIONS SANS PRÉAVIS.



FONCTIONS ET CARACTERISTIQUES

- L'eau contrôlée par allumage automatique: la pression de l'eau entre 20-80 PSI / 0.75-1.0 GPM ouvre le circuit d'allumage pour une utilisation facile et pratique.
- La protection Auto-cut-off: la protection de l'auto-coupeure va fermer l'alimentation en gaz immédiatement en cas d'extinction pour réduire le risque de fuite de gaz.
- Les économies d'énergies : 85% du facteur énergétique (FE)
- La vanne de vidange amovible : pour éviter la conduite d'eau et les dommages de régulation causés par le gel de l'eau *.
- La protection de combustion Anti-sec: le chauffe-eau va couper l'alimentation de gaz dans le cas où l'eau cesse de couler dans le chauffe-eau.



* Lire la section de maintenance dans son ensemble sur la vidange du chauffe-eau portable afin d'éviter les problèmes de gel.

Augmentation de la température par GPM					
Modèle	Réglage du gaz	1,5 GPM	2,0 GPM	2,5 GPM	3,0 GPM
L10 Portable	Au plus élevé	96 °	48 °	32 °	25 °
	Au plus bas	34 °	17 °	11 °	9 °

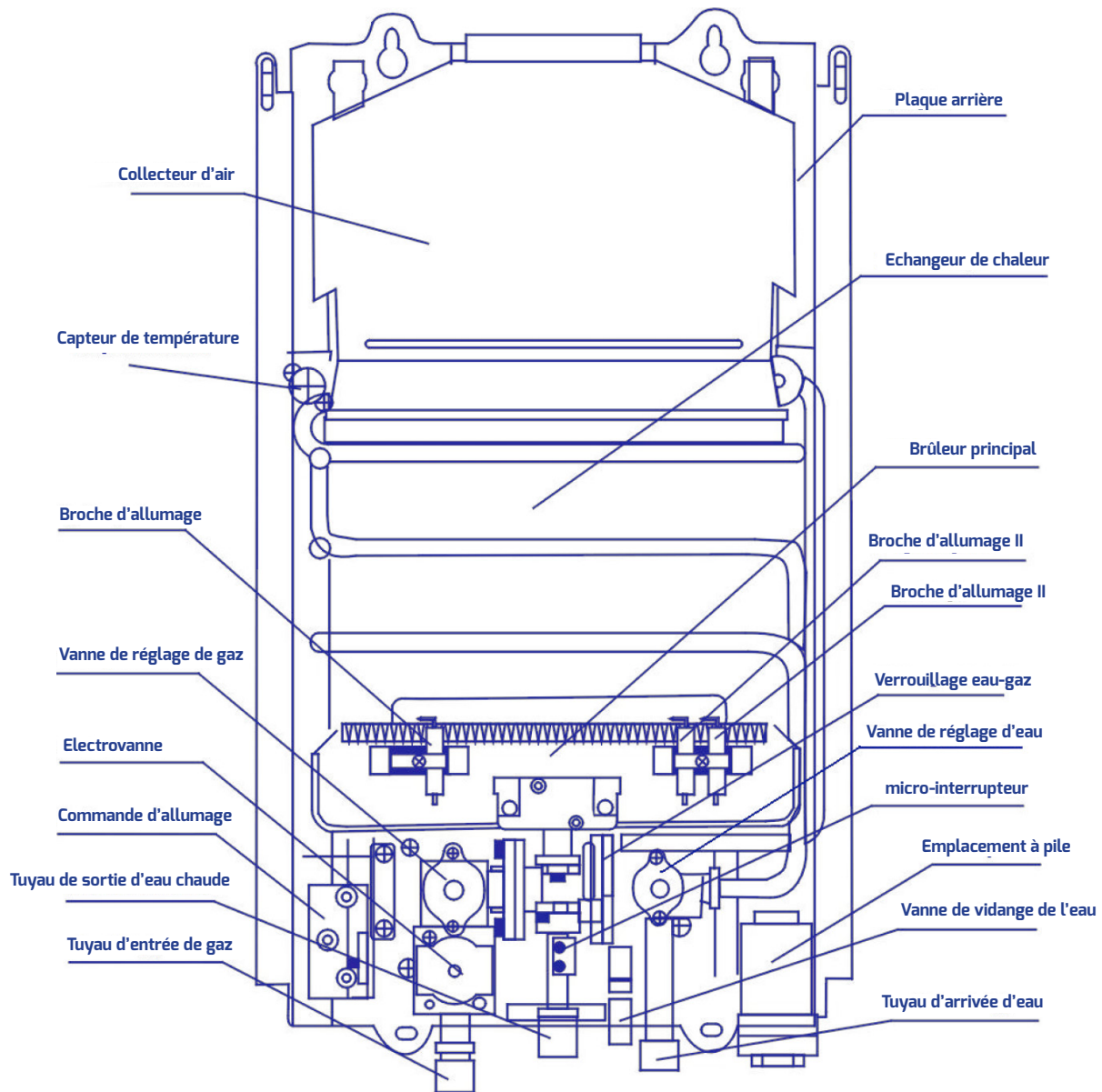
* Les hausses de température énumérées sont basées sur l'utilisation du chauffe-eau dans des conditions optimales. Des facteurs variables tels que des installations incorrectes ou imparfaites et des différences de température de l'eau entrants, peuvent donner des résultats différents.

SPECIFICITES TECHNIQUES - PORTABLE	
Type de combustible	LPG (Liquid propane gas)
Modèle	L10
Activation du débit	25 PSI
BTU/h	75,000
Pression de gaz connexe	0.4 PSI
Allumage	Electric Pulse, D cell Battery Powered (No electrical connection required)
Protections	Contrôle de l'eau Auto-coupé, allumage automatique, protection anti-sèche de combustible, suppression de surchauffe et protection de l'extinction
Largeur x Hauteur x Profondeur	38,1cm x 16,51cm x 88,9cm
Raccord de tuyaux	1,2' NPT, Eau et gaz entrant / sortant

VEUILLEZ NOTER: CE MODELE N'EST PAS RECOMMANDE ET N'A PAS ETE TESTE POUR DES INSTALLATIONS PERMANENTES. CE MODELE FAIT PARTIE DE NOTRE SERIE « PORTABLE » ET DOIT ETRE DEMONTE ET ENTREPOSE DANS UN ENDROIT CHAUD ET SEC APRES CHAQUE UTILISATION. CE MANUEL ET TOUS LES CONTENUS ECCOTEMP SONT SUJET A MODIFICATIONS SANS PRÉAVIS.



CONSTRUCTION ET PARTIES DU L10



VEUILLEZ NOTER: CE MODELE N'EST PAS RECOMMANDE ET N'A PAS ETE TESTE POUR DES INSTALLATIONS PERMANENTES. CE MODELE FAIT PARTIE DE NOTRE SERIE « PORTABLE » ET DOIT ETRE DEMONTE ET ENTREPOSE DANS UN ENDROIT CHAUD ET SEC APRES CHAQUE UTILISATION. CE MANUEL ET TOUS LES CONTENUS ECCOTEMP SONT SUJET A MODIFICATIONS SANS PRÉAVIS.



COMMENCER

1. Vérifiez la boîte pour les dommages. Les dommages causés lors de l'expédition doivent être signalés immédiatement.
2. Assurez-vous que vous avez toutes les pièces: Veuillez noter: les pièces et accessoires inclus peuvent varier en fonction du pays et de la réglementation.
 - a. chauffe-eau
 - b. Pack de matériel
 - c. Capuchon de pluie
 - d. Adaptateur 1/2 NPT au tuyau d'arrosage
 - e. Pack de matériel
3. Installez le capuchon de pluie vers le haut du conduit de fumée. Il est recommandé qu'une couche d'isolant pour haute température soit utilisé autour du périmètre d'étanchéité entre le capuchon de pluie et le conduit de fumée.
4. Si vous utilisez un tuyau de jardin standard, fixez le 3/4" NPT à l'adaptateur du tuyau d'arrosage au raccord marqué « entrée d'eau ». Utilisez du ruban d'étanchéité ou une autre méthode approuvée, sur les fils, pour un ajustement sécurisé de l'eau. Assurez-vous que l'écran à l'intérieur de l'entrée d'eau est en place et propre. Ensuite, fixez votre entrée d'eau / tuyau d'arrosage.
5. Installez la conduite d'alimentation de gaz et le régulateur du chauffe-eau sans réservoir portatif. **NE PAS TROP SERRER. UN SERRAGE EXCESSIF PEUT FISSURER LE REGULATEUR DE GAZ PROVOQUANT UNE FUITE DE GAZ!** Vérifiez toute odeur de gaz avant l'allumage! Assurez-vous que tout soit bien vissé.

ATTENTION !

LES RESERVOIRS DES CHAUFFES-EAU L5, L7, L10 ONT UN ADAPTATEUR 1/2" A 3/8" DANS LA BOITE DE QUINCAILLERIE POUR LA FIXATION DU TUYAU DE GAZ LIQUIDE DU CHAUFFAGE.

CET ADAPTATEUR DOIT ETRE INSTALLE AVEC UN PRODUIT D'ETANCHEITE. UNE BOBINE DE RUBAN D'ETANCHEITE EST INCLUE AVEC LE CHAUFFE-EAU.

PLUSIEURS ENVELOPPEMENTS DE MASTIC POURRONT ETRE NECESSAIRES POUR ASSURER UNE ETANCHEITE COMPLETE.

TOUJOURS VERIFIER LES FUITES DE GAZ AVANT UTILISATION DU CHAUFFAGE.

DE MULTIPLES ENROULEMENTS DE BANDE D'ETANCHEITE DEVRAIENT ETRE NECESSAIRES POUR ASSURER UNE TOTALE ETANCHEITE.

TOUJOURS VERIFIE QU'IL N'Y A PAS DE FUITE DE GAZ AVANT D'UTILISER LE CHAUFFE-EAU.

6. Fixez la buse du tuyau de douche à la sortie de l'eau puis au raccord marqué «Sortie d'eau ». Ne pas trop serrer.
7. Installez deux piles D dans le compartiment en bas à gauche de l'appareil. Vérifier que les piles soient correctement orientées.
8. Utilisez l'onglet au-dessus du chauffe-eau afin de le suspendre à partir d'une vis capable de soutenir 14 kg. Placez à une hauteur confortable sans tirer sur le tuyau de gaz. Ne pas l'utiliser suspendu à la poignée! Ne montez pas définitivement ce chauffe-eau!
9. Fixez le régulateur de gaz avec un tuyau dans le réservoir de gaz liquide. Ne faites de pression que sur le connecteur en plastique. **LAISSEZ LA VANNE DU RESERVOIR A GAZ EN POSITION "OFF"**.

VEUILLEZ NOTER: CE MODELE N'EST PAS RECOMMANDE ET N'A PAS ETE TESTE POUR DES INSTALLATIONS PERMANENTES. CE MODELE FAIT PARTIE DE NOTRE SERIE « PORTABLE » ET DOIT ETRE DEMONTE ET ENTREPOSE DANS UN ENDROIT CHAUD ET SEC APRES CHAQUE UTILISATION. CE MANUEL ET TOUS LES CONTENUS ECCOTEMP SONT SUJET A MODIFICATIONS SANS PRÉAVIS.



Avant d'aller à la section UTILISATION :

Vérifiez autour de la zone pour les produits inflammables, en particulier l'essence ou d'autres vapeurs qui peuvent s'enflammer. L'échappement et le dessus du chauffe-eau deviennent chaud! Assurez-vous qu'il n'y ait pas de corps étrangers dans le chauffe-eau ou d'éléments qui soient tombés sur la partie supérieure de l'appareil.

DEMARRAGE ET UTILISATION

Attention: Ce modèle est destiné à un usage récréatif et portatif uniquement. Ce modèle ne peut être en aucune manière monté ou fixé de façon permanente.

1. Ouvrir l'alimentation en eau entrante. Assurez-vous que vous avez une pression d'eau suffisante entre 40-60 PSI.
2. Tournez votre dispositif de sortie de l'eau sur la position "off".
3. Tournez la vanne de gaz sur le cylindre afin qu'elle soit totalement ouverte.
4. Si une odeur de gaz est détectée, fermez le robinet de gaz immédiatement !!
5. Réglez le bouton de réglage de l'eau du chauffe-eau à son niveau le plus élevé.
6. Réglez le bouton du réglage de gaz du chauffe-eau sur sa valeur minimale.
7. Mettez le bouton de sortie de l'eau sur la position "on" et réglez le débit d'eau désiré.
8. Il y aura une série de clics audibles et le brûleur s'allumera. (Si le brûleur ne s'allumait pas après 5 secondes, arrêtez le et reportez vous à la section «Dépannage»).
9. À la fin de l'utilisation ou de stockage, ouvrez le robinet de vidange (la tige cylindrique nervurée à côté de la vanne d'entrée d'eau) afin de permettre le drainage de l'eau.
10. Éteignez votre alimentation en gaz.
11. ATTENTION: Si la température extérieure est autour ou en dessous de zéro (32 degrés F, 0 ° C), veillez à ce que la vanne de vidange soit ouverte et que l'eau du chauffe-eau soit drainée après chaque utilisation pour éviter des dommages à l'intérieur du régulateur d'eau . Vous aurez également besoin de décrocher le tuyau de sortie d'eau afin que toute l'eau dans l'échangeur de chaleur soit évacuée. Tout échec lors du drainage du chauffe-eau provoquera des dégâts d'eau qui peuvent être ou ne pas être réparables. Veuillez vérifier les informations de garantie se trouvant sur notre site Web www.eccotemp.com/freeze pour plus d'informations sur les questions relatives au gèle.

VEUILLEZ NOTER: CE MODELE N'EST PAS RECOMMANDE ET N'A PAS ETE TESTE POUR DES INSTALLATIONS PERMANENTES. CE MODELE FAIT PARTIE DE NOTRE SERIE « PORTABLE » ET DOIT ETRE DEMONTE ET ENTREPOSE DANS UN ENDROIT CHAUD ET SEC APRES CHAQUE UTILISATION. CE MANUEL ET TOUS LES CONTENUS ECCOTEMP SONT SUJET A MODIFICATIONS SANS PRÉAVIS.

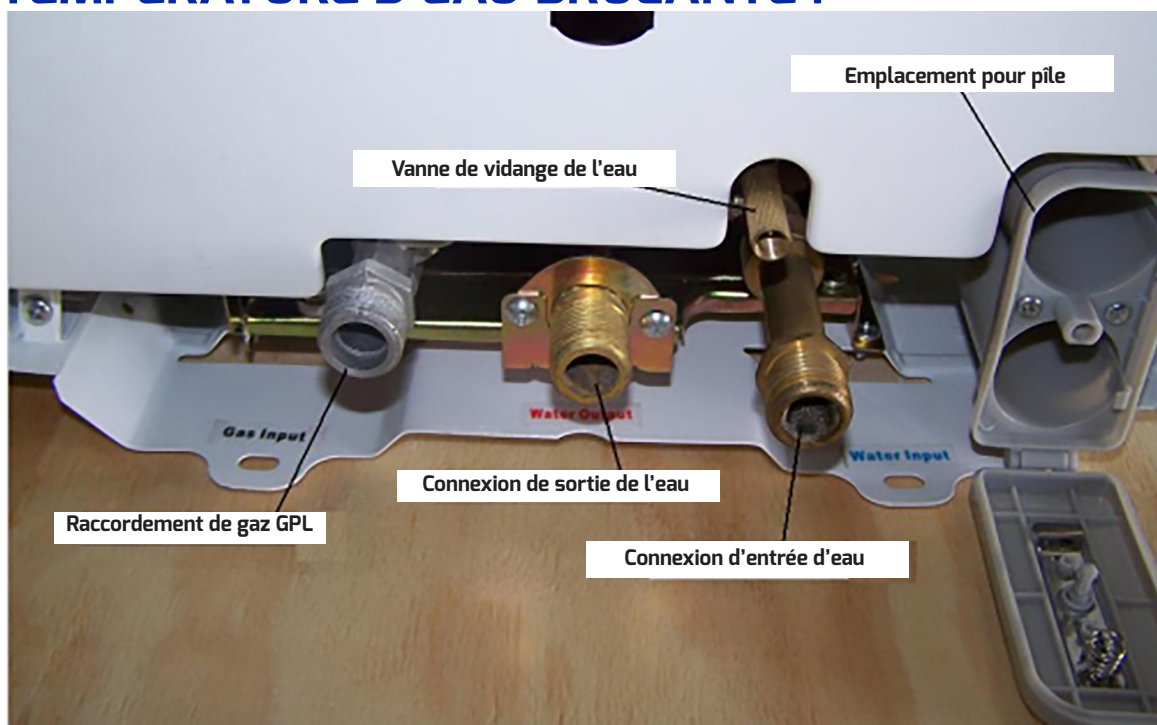


AJUSTEMENTS

La température de l'eau sortante est dépendante de la température de l'eau entrante pondérée avec la quantité de chaleur appliquée. Utilisez avec extrême prudence la régulation de la température de sortie d'eau.

1. Avec le régulateur de l'eau réglée à un niveau élevé, et le régulateur de gaz réglé au plus bas, sentez l'eau sortante. Ceci est le réglage le plus bas disponible.
2. Pour élever initialement la température sortante, tournez lentement la vanne de gaz vers le maximum. Ajustez lentement et vérifiez régulièrement la température. Il y aura un léger retard entre l'augmentation de l'approvisionnement en gaz et l'augmentation de la température de l'eau.
3. Si la température de sortie d'eau doit être plus élevée, réduire lentement le régulateur de débit d'eau jusqu'à ce que la température désirée soit atteinte. (Attention: ne pas modifier ou changer la sonde de température d'origine de ce chauffe-eau)

ATTENTION: LE CHAUFFE-EAU PORTABLE SANS RÉSERVOIR EST CAPABLE DE PRODUIRE UNE TEMPÉRATURE D'EAU BRULANTE !



VEUILLEZ NOTER: CE MODELE N'EST PAS RECOMMANDE ET N'A PAS ETE TESTE POUR DES INSTALLATIONS PERMANENTES. CE MODELE FAIT PARTIE DE NOTRE SERIE « PORTABLE » ET DOIT ETRE DEMONTE ET ENTREPOSE DANS UN ENDROIT CHAUD ET SEC APRES CHAQUE UTILISATION. CE MANUEL ET TOUS LES CONTENUS ECCOTEMP SONT SUJET A MODIFICATIONS SANS PRÉAVIS.



NE PAS RETOURNER LE MATERIEL AU MAGASIN

Veillez visiter notre bureau d'aide au www.eccotemp.com ou contactez-nous par courriel à support@eccotemp.com si vous rencontrez un problème!

DEPANNAGE

Le chauffe-eau portable sans réservoir ne démarre pas - il n'y a pas de clics audibles au démarrage:

- a. La première chose à vérifier est l'eau entrante sur le côté «droit» du chauffe-eau sans réservoir portatif. Si l'entrant et le sortant sont inversés, le chauffe-eau sans réservoir portable ne fonctionnera pas. L'entrant est à l'extrême droite et le sortant est au milieu.
- b. Assurez-vous que vous avez des piles neuves et qu'elles sont installées dans une position correcte.
- c. La première raison pour laquelle le chauffe-eau sans réservoir portable ne démarre pas est qu'il n'y a pas assez de pression au niveau de l'eau. Vous avez besoin d'un minimum de 0.25-10pw, constante. L'eau fournie par la municipalité doit avoir une pression suffisante. La plupart des pompes 12/18/120/240 sont capables de fournir une pression de 0.25-10pw ou plus.

AJUSTEMENT: en regardant au bas du chauffe-eau sans réservoir portable, vous pourrez voir deux "fentes" dans le cas où l'avant et l'arrière sont réunis. Localisez le régulateur d'eau sur lequel vous verrez deux vis à tête. Tournez la vis qui est la plus à droite (la plus grande vis) d'environ ¼ ou ½ tour. Cela permettra au chauffe-eau de fonctionner sur une pression d'eau plus faible tout en limitant l'écoulement.

NOTE: Avant de tenter de retirer le couvercle, appelez le service de support technique au [866.356.1992](tel:866.356.1992)

d. Un fil a été déconnecté à l'intérieur du chauffe-eau sans réservoir portable pendant le transport. Assurez-vous que le gaz est éteint. Le capot avant est maintenu par six vis, quatre sur le dessus, deux sur le fond. Les boutons sont sur Off. Tout le câblage est fait avec des connecteurs en plastique tous dans le même sens. Ils sont tous visibles sans poursuite du démantèlement du chauffe-eau. Cela devrait ainsi être évident lorsqu'un fil a été déconnecté.

e. Il est possible que certains débris ou époxy, soient entrés dans le régulateur d'eau. Vérifiez si l'écran de filtre sur l'entrée d'eau est dégagé de tous débris. Vous pouvez également inverser le branchement en prenant votre source d'eau et en la branchant à côté de la sortie d'eau et ainsi rincer le système.

f. Les bouteilles de propane sont parfois contaminées avec de l'air, en particulier les nouveaux réservoirs sur leur premier remplissage. Allumez et éteignez le chauffe-eau en utilisant la tête de douche plusieurs fois (5) pour purger l'air du gaz.

Si le chauffe-eau ne s'allume pas ou reste allumé au bout de 10 cycles, veuillez vous rapprocher du bureau d'assistance d'Eccotemp sur le www.eccotemp.com.

Le chauffe-eau portable sans réservoir s'allume puis s'éteint :

a. Si le conduit de fumée est bloqué, ou n'est pas assez long, le chauffe-eau sera coupé au bout de quelques minutes. La longueur verticale recommandée pour le conduit de fumée est d'un minimum d'1 mètre.

b. Le chauffe-eau sans réservoir portatif nécessite un minimum d'environ 2 litres par minute et un minimum d'environ 20 PSI/1,38 bar. *Note: La pression d'eau est à l'extrémité inférieure des

VEUILLEZ NOTER: CE MODELE N'EST PAS RECOMMANDE ET N'A PAS ETE TESTE POUR DES INSTALLATIONS PERMANENTES. CE MODELE FAIT PARTIE DE NOTRE SERIE « PORTABLE » ET DOIT ETRE DEMONTE ET ENTREPOSE DANS UN ENDROIT CHAUD ET SEC APRES CHAQUE UTILISATION. CE MANUEL ET TOUS LES CONTENUS ECCOTEMP SONT SUJET A MODIFICATIONS SANS PRÉAVIS.



DEPANNAGE

PSI/2,7-4,1bar pour une utilisation adéquate si vous utilisez une pompe 12/18/120/240 volts. Vous référer à la partie ajustement dans la section précédente.

c. Sans ou avec très peu de gaz. Les bouteilles de gaz propane sont parfois contaminées avec de l'air, en particulier les nouveaux réservoirs sur leur premier remplissage. Allumez et éteignez le chauffe-eau en utilisant la tête de douche plusieurs fois (5) pour purger l'air du gaz. Si cela ne permet pas d'enlever l'air alors le réservoir devra être purgé.

d. Un des capteurs de contact est plié et / ou trop près du brûleur. Veillez à ce que les broches d'allumage et le capteur de chaleur soient complètement verticales et qu'ils font un 90 degré à l'arrière de la boîte. Si ils ne sont pas droits (soit un angle de 45 degrés), alors vous pouvez les redresser avec une pince.

e. Le thermocouple est soit trop haut ou trop bas pour fermer le circuit. Assurez-vous que le thermocouple est aligné avec le trou dans l'échangeur de chaleur.

f. Le fil de capteur de gaz aurait pu se détacher ou n'est plus connecté. Veuillez contacter le support technique au 866.356.1992 pour toute assistance.

g. Il y a un capteur de chaleur défectueux. Ceci est généralement diagnostiqué en enlevant la partie avant du chauffe-eau et en le laissant fonctionner. Si il continue à fonctionner, alors l'un des capteurs et / ou le faisceau de câbles doit être remplacé. Cela peut aussi être causé par un dégagement insuffisant à l'arrière de l'appareil, où la majorité de l'apport d'air se trouve.

h. La valve sur le réservoir de propane devrait être totalement ouverte.

i. Des piles neuves sont nécessaires pour l'étincelle d'allumage. Vérifiez que les piles sont alignées dans la polarité (+/-).

L'eau n'est pas assez chaude :

a. Vous utilisez le chauffe-eau sans réservoir portable au-dessus de 1200 mètres. Bien qu'il ait été testé sur le terrain jusqu'à 1676 mètres, nous ne recommandons pas de l'utiliser à des altitudes de 1200 - 1676 mètres.

b. Regardez dans les vitres (les fenêtre horizontale du milieu sur le devant) pour voir si il y a une flamme bleue. Si la flamme est jaune il pourrait y avoir un régulateur de gaz cassé. Ne pas alors tenter d'utiliser le chauffe-eau.

De l'eau coule mais il n'y a pas d'eau chaude sortante:

a. Assurez-vous que vous avez l'approvisionnement en eau entrant et l'approvisionnement en eau sortant branché correctement. Votre alimentation en eau doit être jointe à votre connexion entrante (située à l'extrême droite) et la pomme de douche doit être jointe à l'eau sortante (située comme la connexion au centre).

b. Assurez-vous que vous avez une pression d'eau suffisante d'au moins 20 PSI/1,38bar, constante.

c. Assurez-vous que vous avez le gaz adéquat dans votre bouteille de propane et que le régulateur de gaz liquide est enfilé correctement sur le chauffe-eau.

d. Des piles neuves sont nécessaires pour permettre l'étincelle d'allumage. Vérifiez que les piles sont disposées avec la bonne polarité (+/-).

Si vous rencontrez toujours des problèmes ou êtes sur un système d'eau modifié, merci de contacter le support technique sur le site www.eccotemp.com.

Le chauffe-eau ne fait rien :

a. Assurez-vous que vous avez votre source d'eau branchée sur le côté d'entrée d'eau (connexion à l'extrême droite) et que la poignée de douche est accrochée sur le côté de sortie d'eau (connexion moyenne).

b. Assurez-vous que vous avez une quantité suffisante de propane.

c. Assurez-vous que vous avez des piles neuves.

Si vous rencontrez toujours des problèmes ou êtes sur un système d'eau modifié, merci de contacter le service technique au 866.356.1992.

VEUILLEZ NOTER: CE MODELE N'EST PAS RECOMMANDE ET N'A PAS ETE TESTE POUR DES INSTALLATIONS PERMANENTES. CE MODELE FAIT PARTIE DE NOTRE SERIE « PORTABLE » ET DOIT ETRE DEMONTE ET ENTREPOSE DANS UN ENDROIT CHAUD ET SEC APRES CHAQUE UTILISATION. CE MANUEL ET TOUS LES CONTENUS ECCOTEMP SONT SUJET A MODIFICATIONS SANS PRÉAVIS.

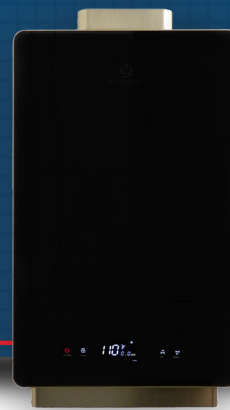


L5 Series

i12 Série

45 Série

TABLEAU COMPARATIF DES PRODUITS ECCOTEMP



En extérieur seulement

A l'intérieur seulement

Intérieur / Extérieur

Spécificités

L5 Série

i12 Série

45 Série

BTU

37,500

80000

155000

Débit

1,45 GPM

3 GPM

6,8 GPM

Portable

Oui

non

non

Source d'énergie

2 piles « D »

120 VAC

120 VAC

Type de gaz

Propane liquide uniquement

Disponible en gaz liquide ou naturel

Disponible en gaz liquide ou naturel

Ventilation

Inutile

Ventilation horizontale (Incl)

Vendu séparément

Pression de l'eau

20-80 PSI

20-80 PSI – Débit activé

14 – 80PSI – Débit activé

Régulateur et tuyau

Standard / inclus

Pas inclus

Pas inclus

Régulateur et tuyau

Manuel 80° - 120°

Automatique 90° - 140°

Automatique 90° - 140°

Garantie

1 an

2 ans – Echangeur de chaleur 2 ans la pièce

10 ans – Echangeur de chaleur 5 ans la pièce

Dimensions produit

38,1cm x 16,51cm x 88,9cm – 7,94kg

69,85cm x 39,88cm x 27,69cm - 11kg

38,1cm x 12,7cm x 60,96cm - 17,24kg

Dimensions du lot

39,88cm x 24,38cm x 89,92m - 10,66kg

69,85cm x 39,88cm x 27,69cm - 13,2kg

40,64cm x 19,05cm x 70,87cm – 18,14kg



Scannez pour acheter



Scannez pour acheter



Scannez pour acheter

VEUILLEZ NOTER: CE MODELE N'EST PAS RECOMMANDE ET N'A PAS ETE TESTE POUR DES INSTALLATIONS PERMANENTES. CE MODELE FAIT PARTIE DE NOTRE SERIE « PORTABLE » ET DOIT ETRE DEMONTE ET ENTREPOSE DANS UN ENDROIT CHAUD ET SEC APRES CHAQUE UTILISATION. CE MANUEL ET TOUS LES CONTENUS ECCOTEMP SONT SUJET A MODIFICATIONS SANS PRÉAVIS.



INFORMATIONS SUR LA GARANTIE LIMITEE D'ECCOTEMP SYSTEMS, LLC

EccoTemp garantit par la présente que ce produit est exempt de défauts matériels et de fabrication de matériaux lorsqu'il est installé et exploité selon l'installation et les instructions d'utilisation EccoTemp. Cette Garantie est limitée à l'acheteur original et les propriétaires ultérieurs, mais seulement pendant que le produit reste sur le site de l'installation d'origine.

Cette garantie limitée prend fin si l'appareil est déplacé ou réinstallé à un nouvel emplacement. Il n'y a aucune garantie, expresse ou implicite faite ou donnée autre que contenue dans la présente garantie limitée. Aucun agent, employé ou représentant d'EccoTemp n'a autorité pour lier EccoTemp à toute représentation ou garantie concernant le produit ne figurant pas dans cette garantie limitée.

Sauf expressément énoncées dans les présentes, IL N'Y A AUCUNE DÉCLARATION OU GARANTIE, EXPLICITE OU IMPLICITE, INCLUANT SANS LIMITATION, COMME LA QUALITÉ MARCHANDE OU L'ADAPTATION À UN USAGE PARTICULIER QUANT AUX BIENS VENDUS CI-DESSOUS. LE RECOURS EXCLUSIF DE L'ACHETEUR EST LIMITÉE À LA RÉPARATION OU AU REMPLACEMENT DES MARCHANDISES VENDUES, A LA DISCRETION D'ECCOTEMP. ECCOTEMP NE SERA PAS RESPONSABLE DES DOMMAGES ACCESSOIRES OU INDIRECTS.

Point sur la période de couverture

Echangeur de chaleur : 1 an

Toutes les autres pièces : 1 an

Accessoires gratuit (Pomme de douche, tuyau, régulateur, etc.) : 30 jours

Les couvertures sont nulles si l'appareil est utilisé dans une boucle de circulation d'eau chaude, en série avec un système de circulation ou lorsqu'un système de recirculation à la demande n'est pas incorporé. Le propriétaire est responsable de tous les autres frais accessoires à la réparation comme le travail, l'expédition, la livraison et les permis. Une preuve d'achat est nécessaire. Les produits réparés seront couverts par cette garantie limitée pour le reste du mandat de l'achat initial. Cette garantie limitée devient nulle et non avenue si l'un des éléments suivants est déterminé comme étant un facteur contribuant à l'échec du produit:

1. l'abus, l'altération, la négligence ou la mauvaise application;
2. un entretien incorrect ou insuffisant;
3. une qualité de l'eau inadéquate;
4. Installation dans un environnement corrosif ou autrement destructeur;
5. dégâts dus au gel;
6. accumulation de tartre;
7. gaz ou pression de l'eau incorrectes;
8. Actes de force majeure

Ce produit ne doit pas être utilisé comme une piscine ou un spa chauffant.

Les frais de port associés

Dans les 30 premiers jours suivant l'achat, Eccotemp couvrira tous les frais d'expédition au sol pour les questions liées à la garantie, à l'exclusion des Etats de l'Alaska, Hawaii, du Canada, et tout endroit à l'extérieur des États-Unis. Après les 30 premiers jours suivant l'achat, Eccotemp couvrira tous les frais d'expédition au client pour les questions liées à la garantie, à l'exclusion des Etats de l'Alaska, Hawaii, du Canada, et tout endroit à l'extérieur des États-Unis. Après les 30 premiers jours de l'achat, le client est responsable de tous les frais d'expédition d'Eccotemp, indépendamment de la raison ou de la circonstance. La méthode de garantie liée à l'expédition sera équivalente au prestataire choisi par Eccotemp.

L'Alaska, Hawaii, le Canada et toutes les autres localités en dehors de Etats-Unis seront responsables de tous les coûts de transport, indépendamment de toute raison ou circonstance.

Toutes les expéditions de tout type de produit revenant à Eccotemp pour une raison quelconque, doivent avoir un RGA pour les réparations à effectuer. Veuillez contacter Eccotemp pour obtenir un numéro de RGA avant de renvoyer tout produit à Eccotemp. Ne pas le faire pourrait entraîner la perte du produit. Eccotemp ne sera pas responsable pour le remplacement en raison de perte ou de dommage si ces mesures ne sont pas suivies correctement.

VEUILLEZ NOTER: CE MODELE N'EST PAS RECOMMANDE ET N'A PAS ETE TESTE POUR DES INSTALLATIONS PERMANENTES. CE MODELE FAIT PARTIE DE NOTRE SERIE « PORTABLE » ET DOIT ETRE DEMONTE ET ENTREPOSE DANS UN ENDROIT CHAUD ET SEC APRES CHAQUE UTILISATION. CE MANUEL ET TOUS LES CONTENUS ECCOTEMP SONT SUJET A MODIFICATIONS SANS PRÉAVIS.



Garantie prolongée :

Caractéristiques de la garantie :

- * Pas de tracas, remplacement complet de votre article s'il se casse.
- * La couverture commence après l'expiration de la garantie du fabricant.
- * Ne comprend pas les accidents.

Caractéristiques standards:

- * Pas de frais cachés ou les coûts de réparation
- * Si un produit ne peut pas être réparé, il sera remplacé
- * protection pour les problèmes de surtension
- * Remplacement gratuit du produit s'il doit y avoir 3 réparations en 1 an. (après l'expiration de la garantie du fabricant)

La garantie prolongée est offerte par une société tierce avec laquelle nous avons établi un partenariat, Warranty Life.

Pour plus d'informations veuillez visiter le site www.warrantylife.com. Dans les 24 heures suivant l'achat de la garantie prolongée, vous recevrez un email avec toutes vos informations de garantie prolongée. Toutes les réclamations devront être déposées directement auprès de Warranty Life et "Non" auprès d'Eccotemp.

- * LES GARANTIES PROLONGEES S'APPLIQUENT POUR LE MOMENT UNIQUEMENT AUX ETATS-UNIS.

VEUILLEZ NOTER: CE MODELE N'EST PAS RECOMMANDE ET N'A PAS ETE TESTE POUR DES INSTALLATIONS PERMANENTES. CE MODELE FAIT PARTIE DE NOTRE SERIE « PORTABLE » ET DOIT ETRE DEMONTE ET ENTREPOSE DANS UN ENDROIT CHAUD ET SEC APRES CHAQUE UTILISATION. CE MANUEL ET TOUS LES CONTENUS ECCOTEMP SONT SUJET A MODIFICATIONS SANS PRÉAVIS.



S'IL VOUS PLAÎT NOTER: CE MANUEL EST SUJET À MODIFICATION À TOUT MOMENT, POUR ASSURER CE MANUEL EST À JOUR S'IL VOUS PLAÎT VISITEZ NOTRE HELPDESK AU WWW.ECCOTEMP.COM POUR TOUS NOS MANUELS DU PRODUIT.



ECCOTEMP
L'AVENIR DE L'EFFICACITÉ

ECCOTEMP SYSTEMS LLC | EMAIL: SUPPORT@ECCOTEMP.COM | ADRESSE: 315 - A INDUSTRIAL RD SUMMERVILLE, SC 29483

 SUPPORT PRODUIT: ECCOTEMP.COM/HELP-DESK  MAGASIN EN LIGNE: ECCOTEMP.COM/PRODUCT  LOCALISATION DU MAGASIN: ECCOTEMP.COM/LOCATOR

ECCOTEMP.COM   

