

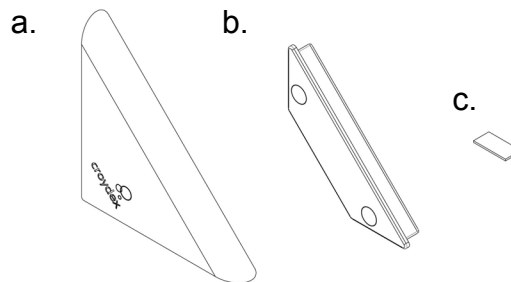
Thank you for purchasing this Croydex product. Please follow the fixing and care instructions to ensure your Curtain Clip is fitted properly and retains its high quality finish. **Please retain this leaflet for future reference.**

This instruction leaflet applies to the following product:

AM160622 – Curtain Clip

Fixing Pack Contents

- a. Curtain Clip body
- b. Magnetic Curtain retainer
- c. Adhesive pads x 3



Tools Required

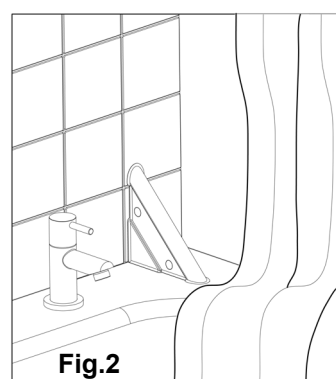
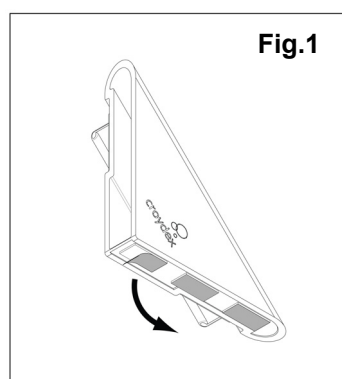
Silicone Sealant and sealant applicator gun

Note: Ensure that all safety instructions supplied with the silicone sealant are followed.

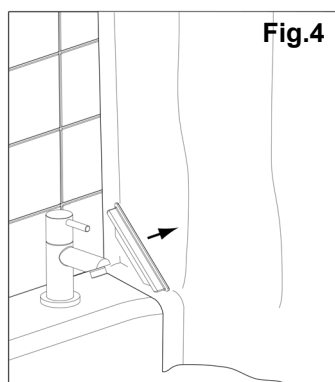
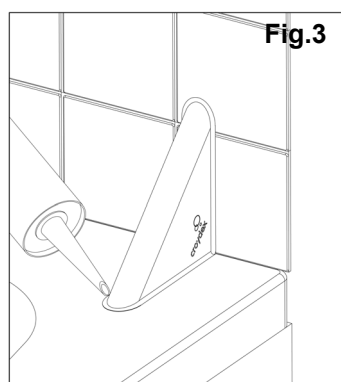
KEEP DIY TOOLS OUT OF THE REACH OF CHILDREN

Fitting and Using the Curtain Clip

1. Select the ideal location for your Curtain Clip. The curtain clip can be used for both left or right handed applications. Note: The Curtain Clip should be positioned at the end of your bath where your showerhead is located, on the same side as the shower curtain.
2. Clean the area where the Curtain Clip is to be fitted. Remove any existing sealant, which may affect the Curtain Clip being fitted flush against the wall tiles and top edge of the bath.
3. Separate the magnetic Curtain Retainer from the Curtain clip body.
4. Peel the protective backing off one side of each adhesive pad and stick pads to the base of the Curtain Clip body as shown in Fig.1, ensuring the pads are evenly spaced.
5. Next peel off the other side of the protective backing on each adhesive pad and position the Curtain Clip right into the corner of the bath and wall so that the magnets on the body face into the bath. Fig.2.



6. Carefully apply a continuous bead of silicone sealant around the entire perimeter of the Curtain Clip to make a water-tight seal between the Curtain Clip, top of bath and wall. Fig 3.
7. Allow silicone to dry according to manufacturers recommendations before using Curtain Clip.
8. When ready for use, pull curtain fully across so that a small portion of the curtain overlaps the wall as shown in Fig.4. Replace magnetic retainer in the Curtain clip body so that the curtain remains taut against the wall by trapping, between the magnetic retainer and the Curtain Clip body.
9. When removing the magnetic retainer whilst the Curtain Clip is fitted it is advisable to use one hand to support the body while the other hand pulls the retainer away.



Product Care

To retain the best quality finish, clean product regularly with a soft cloth and mild detergents.

Do not use abrasive or chemical cleaners as these will damage the product.

For details of the other items in the Croydex range please visit our website: www.croydex.co.uk

Croydex Limited, Central Way, Andover, Hants, SP10 5AW, UK
Tel: +44 (0) 1264 365881. Fax: +44 (0) 1264 356437
Website: www.croydex.co.uk E-mail: info@croydex.co.uk