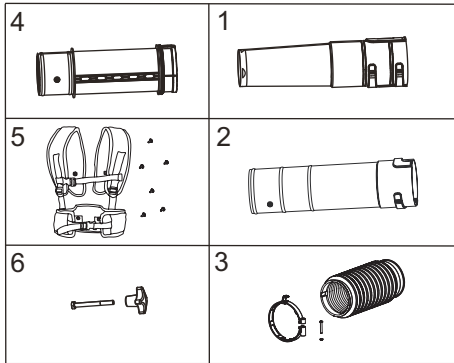


P.O. Box 1238

Mooresville, NC 28115

17 EXPLODED VIEW

No.	Part No.	Qty	Description
1	R0201983-00	1	Front blower tube
2	R0201984-00	1	Rear blower tube
3	RB341261959	1	Flexible hose
4	R0201992-00	1	Connecting tube
5	R0202777-00	1	Harness
6	R0201994-00	1	Knob assembly