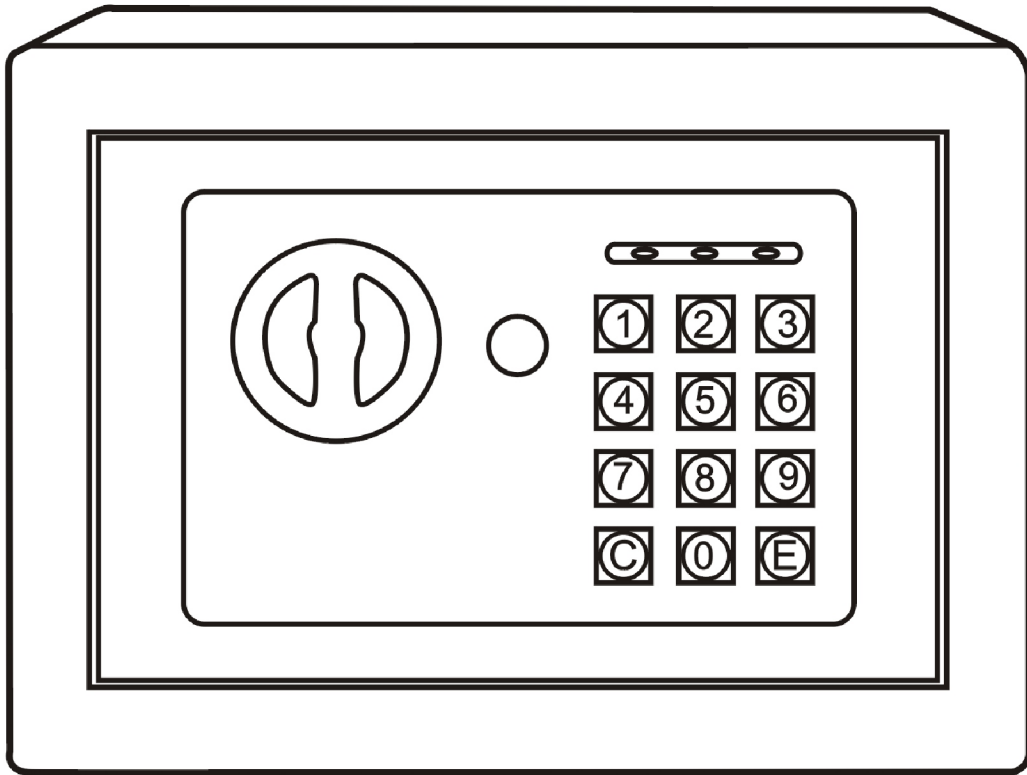


Stalwart



Electronic Safe

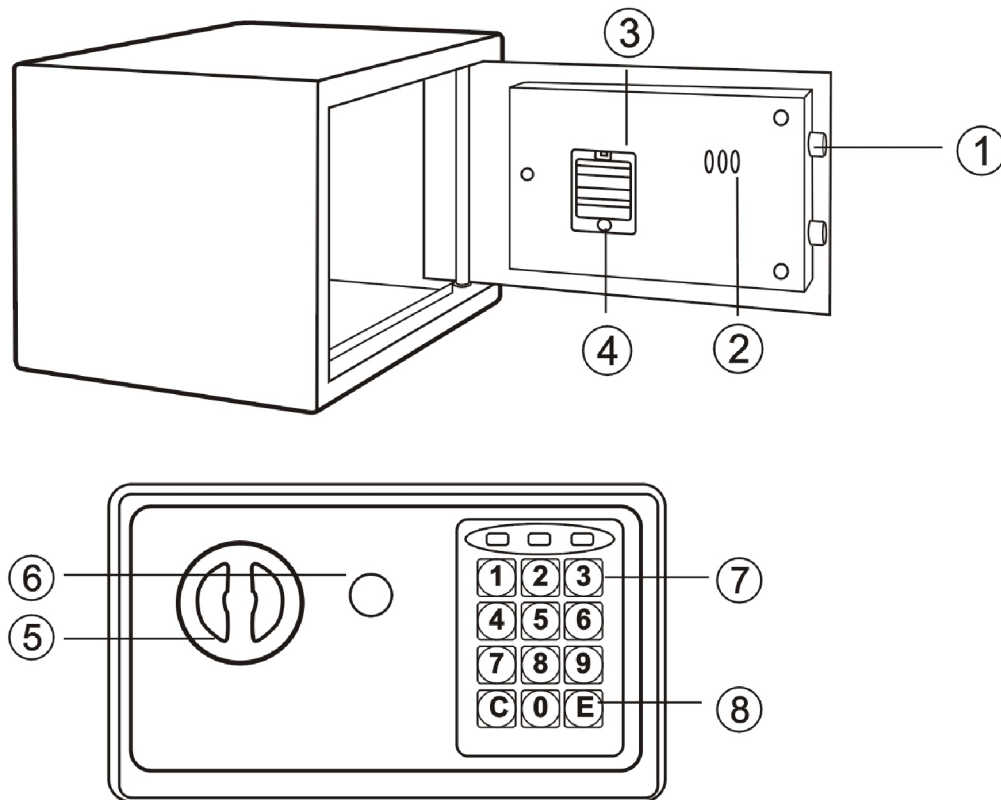
Model No.: 65-E17B / 65-E17

Instruction Manual

Contents

- Instruction
- Fixing
- Troubleshooting

Product overview



1 Locking bolts

2 Storage hooks(NOT for override keys)

3 Battery compartment

4 Reset Button

5 Master Knob

6 Emergency override key cover

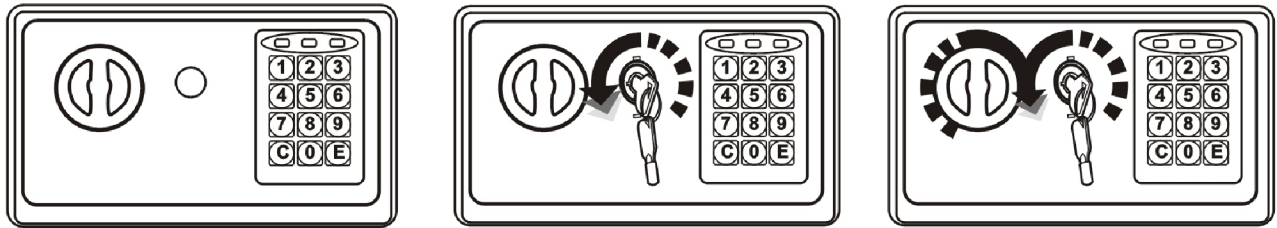
7 Control panel

8 (C) (E)Enter Buttons

Opening your safe for the first time

Use your emergency key the first time you open your safe, if you don't know the codes, or if there is an electronic circuit malfunction.

1. Remove emergency lock cover.
2. Insert the emergency key and turn it counter clockwise.
3. Turn the knob clockwise to open the door.

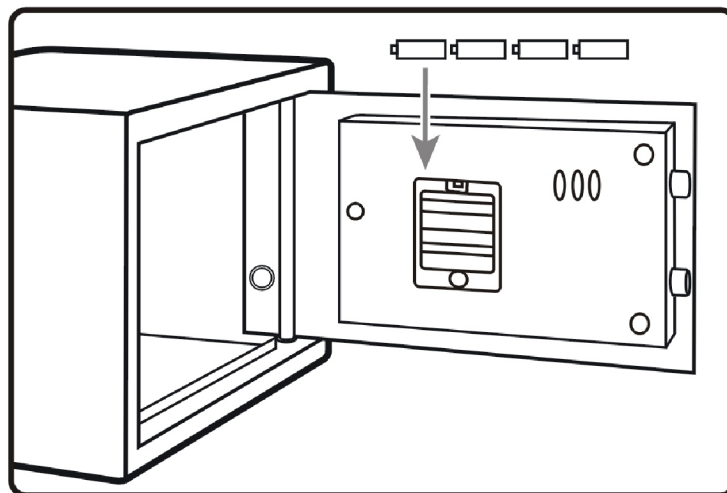


Installing the batteries

1. Open the door.
2. Open the battery compartment and insert four AA batteries. Make sure that the batteries match the + and - in the compartment.

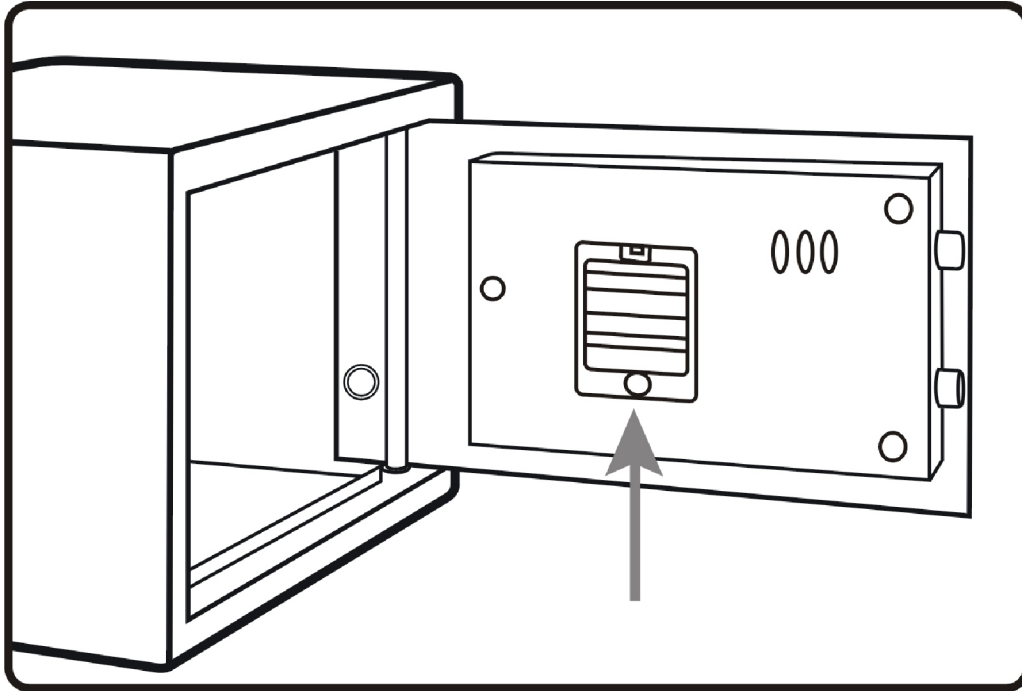
NOTES: Replace the batteries if the low battery light is on.

When outage, the user code will be factory code "159", and need to reset the user code.



Setting the user code

1. With the door open, press the Reset button. You will hear two beeps, and yellow light goes on.



2. Input the new code (3-8 digits) on the keypad, then press the "C" or "E" button to confirm with 2 buzzer beeps, If the yellow light flashes with 3 buzzer beeps, the code reset is not accepted and you need to try again.
3. Before you close the door, try the new code to make sure it works.

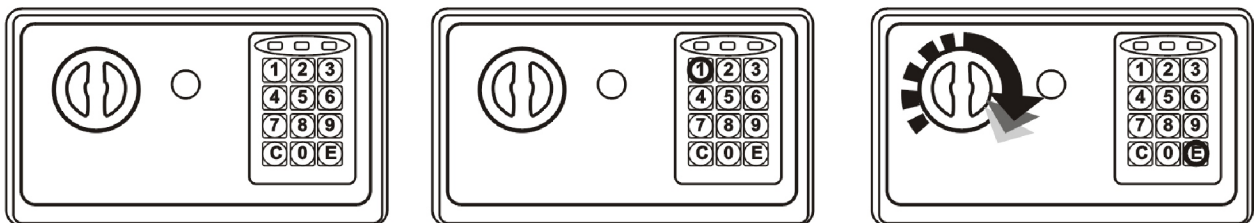
Setting the master code

1. Open the safe, input "0" twice and press reset button, start setting code when the yellow light goes on.
2. Input the new master code (3-8 digits), then press "C" or "E" button to confirm, it will be confirmed by 2 beeps and the yellow light flashes two times, then setting is done successfully.
3. If the yellow light flashes three times, it means the new code is invalid and should set again.

Opening your safe – after the first time

1. Input your user's code (3 to 8 digits), each pressing results one buzzer beep and yellow light flashes.
2. Press "C" or "E" button, the green light will be on.
3. Rotate the knob clockwise within 5 seconds, the door is opened.

Note: The user preset code "159". Please input the user code again if the yellow light flashes with three buzzer beeps.



Locking the safe

Close the door, then turn the knob counter clockwise to lock it.

Automatic lock when wrong code entry

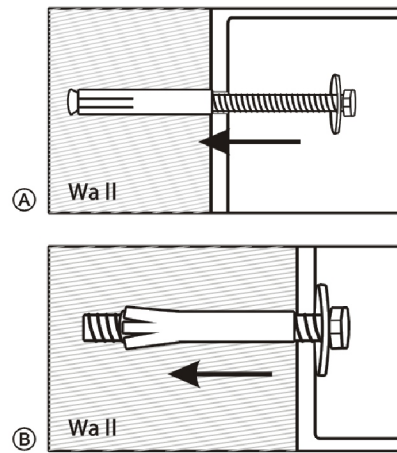
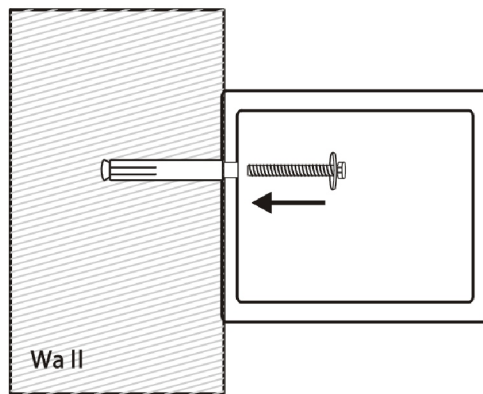
1. 3 continuously wrong entries will activate the warning beep for 20 seconds.
2. Another 3 continuously wrong entries will activate the warning beep for 4 minutes and 30 seconds

CAUTION: The keypad would be disabled during the beeping. You can only stop the beeps by opening the safe with emergency key and power-cut by removing the battery.

Securing the safe

Fix the safe in the place which is not easy to move.

1. Drill holes for expansion bolts(or clamping screws) in the right place.
2. Turn the expansion bolts counter clockwise to separate.
3. Use the expansion bolts (or clamping screws) to secure the case to the wall or floor.
4. Make sure the case is mounted in place as required and then tighten all screws.



Troubleshooting

The safe won't open, when I enter my code.

- Make sure you entered the correct code.
- Press the “C” or “E” after entering the code.
- You might be in lockout mode. Wait 5 minutes and try again.
- Replace the batteries.

The door won't shut.

1. Make sure there are no obstructions.
2. If the door bolts are extended, re-enter the user code and turn the knob clockwise to retract them.

Both the yellow and green lights are on at the same time.

1. Replace the batteries.

The warning light is flashing.

1. Make sure you entered the correct code.
2. Press the “C” or “E” button after entering the code.

Safety and Compliance

1. Read the user manual carefully before you use this safe.
2. To reduce the risk of theft, the safe must be affixed to the wall or floor, mounting process refer to page 7, securing the safe.
3. Please take care of the emergency key and keep them in one secret place out of safe, please do not put the emergency keys inside the safe, otherwise, you can not open the safe with emergency key if battery used up.
4. For security of your property, you will need to change the preset code.
5. Do not place the product in an insecure and elevated place, lest it may fall over and damage the product or hurt people. Never spill liquid over the control panel, or it may cause electrical shock to the electronic parts inside and disable their proper functions.
6. Never try to dismantle the product by yourself. Unguided dismantling and incorrect reassembly of the inside of back cover may damage the electrical circuit and affects its performance. Where maintenance is required, please contact the local service center or local distributor.

