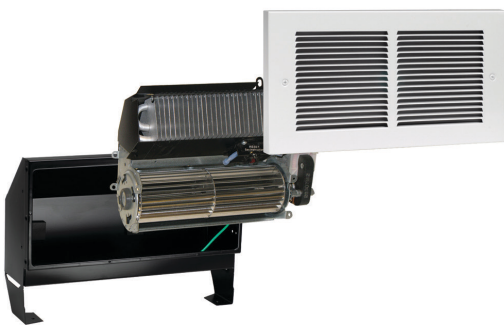


# REGISTER

Powerful performance  
for any room



**Safe, durable, and powerful—the Register heater operates quietly with outstanding warm air circulation. A grill design similar to most central system air vents makes it a perfect fit in any room.**

#### ARCHITECTURAL - ENGINEERING INFORMATION

Fan forced up flow electric air heaters are UL listed, factory rated at 120V, 208V or dual field rated 208V/240V. A powder coated 20 gauge wall mounting can with four knockouts is provided with each complete heater. The element and blower are of unitized construction and attach to the wall can with a single screw. Element construction is a coiled nichrome heating wire sealed in a steel sheath with steel fins brazed to the sheath, finished with a high temperature paint to prevent rust and corrosion. A manual reset, 25 amp rated, at 240V, thermal overload limit switch is standard. A tangential cylindrical blower delivering approximately 40 to 55 CFM is driven by an impedance protected motor with permanently lubricated vibration isolated with dust sealed bearings. Metal grill is of one piece construction and finished with a powder coated paint system.

#### TECHNICAL INFORMATION

UL safety standards require the heater to be placed a minimum distance of 6 inches (15.2 cm) from adjacent surfaces and 4-1/2 inches (11.4 cm) from the floor. Cadet recommends a 12-inch clearance from all surfaces for longer and cleaner performance. A 3-foot (91.44 cm) minimum clearance is required for furniture or other objects placed directly in front of the heater. This model is not approved for ceiling installation. Electric wall heaters and thermostats work best when installed on an inside wall. We recommend installing the heater assembly after walls are finished. Heater must be cleaned every six months minimum. A thermostat is required. For optimal comfort use a Cadet electronic wall stat. These models work best at elevations under 7500 feet.

- Enjoy complete warmth, thanks to a powerful air fan
- Vent-style grill blends in with any décor
- Rest easy—includes high-temperature safety shutoff feature
- Pre-formed, bendable legs make mounting and installation easy
- Offers fixed and multi-watt capabilities
- One-screw mounting for fast installation into the recessed wall can
- Count on years of reliable operation with a heavy-duty steel heating element and blower

**CADET**   
INVITING WARMTH

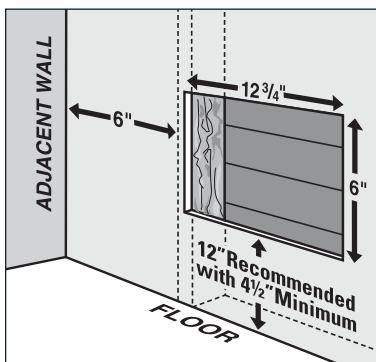
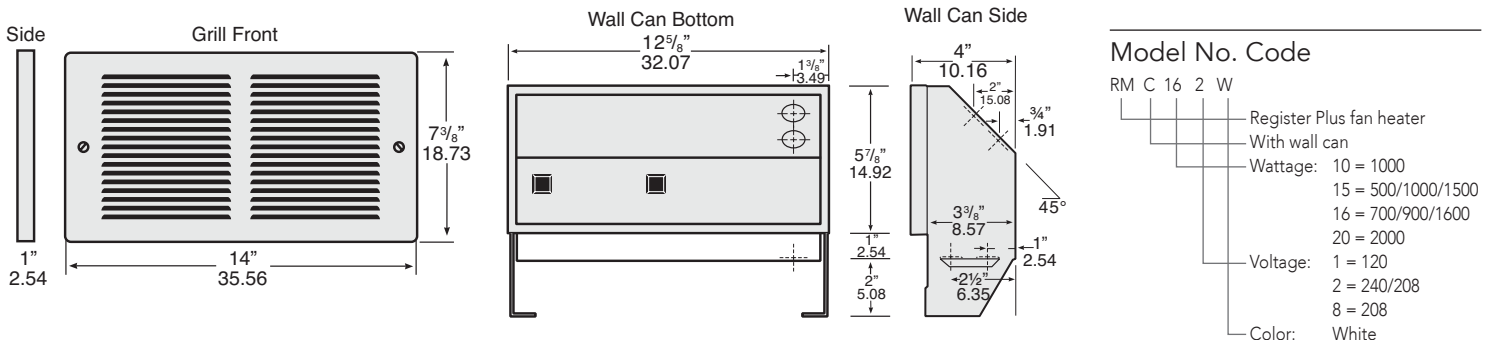
cadetheat.com  
855.CADET.US  
Vancouver, Washington



# REGISTER

Grill: 14"W x 7-3/8"H x 1"D • Rough-in: 12-3/4"W x 6"H x 4"D  
Heater assemblies require RMC wall can, grill kit and thermostat

PART	MODEL	DESCRIPTION	WATTS	VOLTS	AMPS	BTUS	WT/LBS
63315	RMC151W	Complete unit with wall can and grill	500/1000/1500	120	4.2/8.3/12.5	1710/3415/5120	9
63316	RMC208W	"	2000	208	9.6	6825	9
63314	RMC162W	"	700/900/1600	240/208	2.9/3.8/6.7	2390/3075/5460	9
63313	RMC202W	"	2000/1500	240/208	8.3/7.2	6825/5120	9
00308	RM151	Heater assembly without thermostat	500/1000/1500	120	4.2/8.3/12.5	1710/3415/5120	4.5
00310	RM108	"	1000	208	4.8	3415	4.5
00323	RM158	"	1500	208	7.2	5120	4.5
00313	RM168	"	700/900/1600	208	3.4/4.3/7.7	2390/3175/5460	4.7
00309	RM208	"	2000	208	9.6	6825	4.5
00311	RM102	"	1000/750	240/208	4.2/3.6	3415/2560	4.5
00307	RM162	"	700/900/1600	240/208	2.9/3.8/6.7	2390/3075/5460	4.5
00306	RM202	"	2000/1500	240/208	8.3/7.2	6825/5120	4.5
00322	RM222	"	2250/1687	240/208	9.4/8.1	7680/5760	4.5
00275	RMGW	Grill kit for model RM, single pack, white or almond					1.5
00276	RMGA						
63113	RMGW5	Grill kit for model RM, 5-pack, white or almond					7.5
63114	RMGA5						
63115	RMC	Wall can for model RM, single pack or 5-pack					3.3
63116	RMC5						14.3
63123	RMT2W	Built-in thermostat kit for model RM, double pole,		240/208/120	25		.5
63124	RMT2A	40°F to 85°F, white or almond					
63118	RMS4W	Surface mount adapter for model RM, 4" deep, white					6



**ROUGH-IN: 12-3/4"W x 6"H x 4"D**