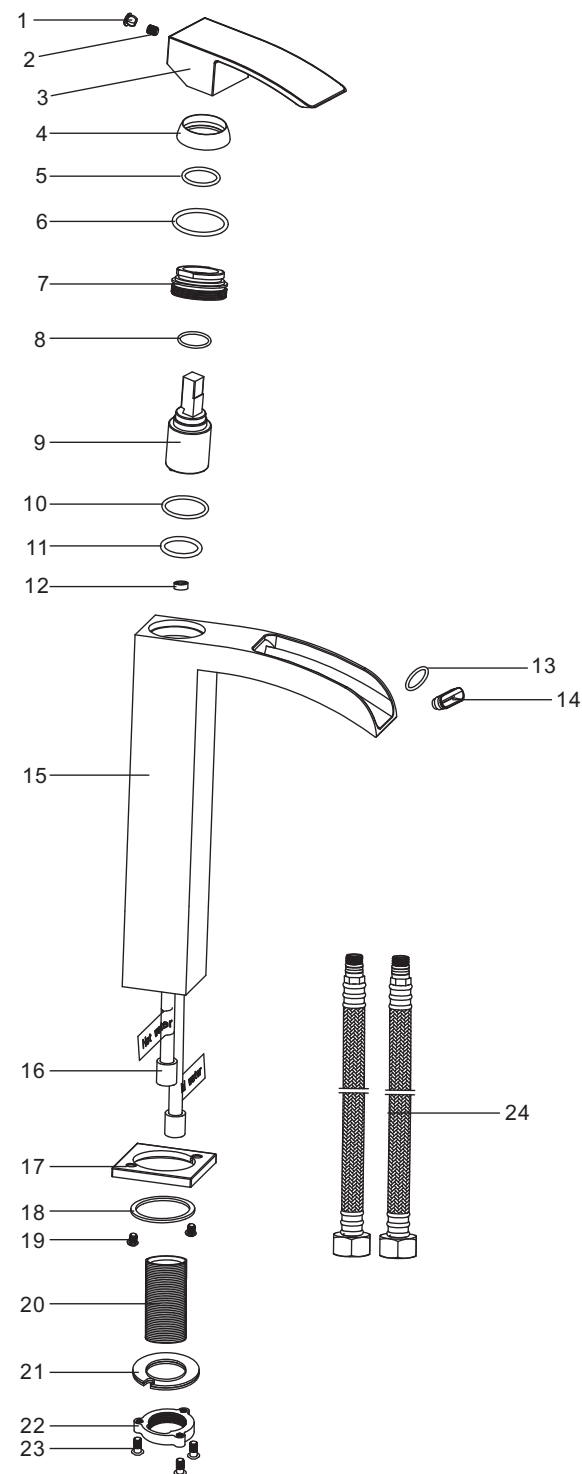
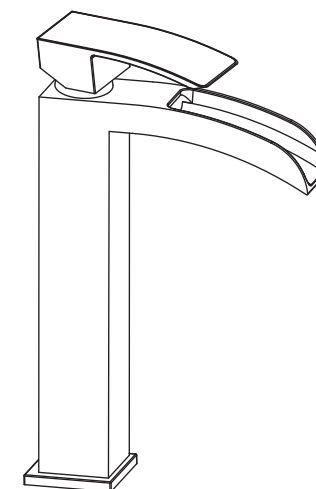


Step 4 Parts list



NO.	PART NAME
1	Index
2	Screw
3	Handle
4	Trim cap
5	O-ring
6	O-ring
7	Cartridge lock nut
8	O-ring
9	Cartridge
10	O-ring
11	O-ring
12	Flow restricter
13	O-ring
14	Aerator
15	Body
16	Copper tube
17	Base
18	Wearing ring
19	Screw
20	Threaded sleeve
21	Gasket assembly
22	Lock nut
23	Screw
24	Flexible hose

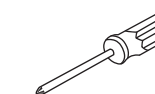


SINGLE HANDLE LAVATORY FAUCET

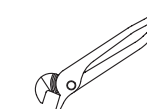


ASME A112.18.1/CSA B125.1

RECOMMENDED TOOLS



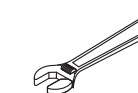
Screwdriver



Channel Locks



Goggles



Adjustable Wrench



Teflon tape



Allen key

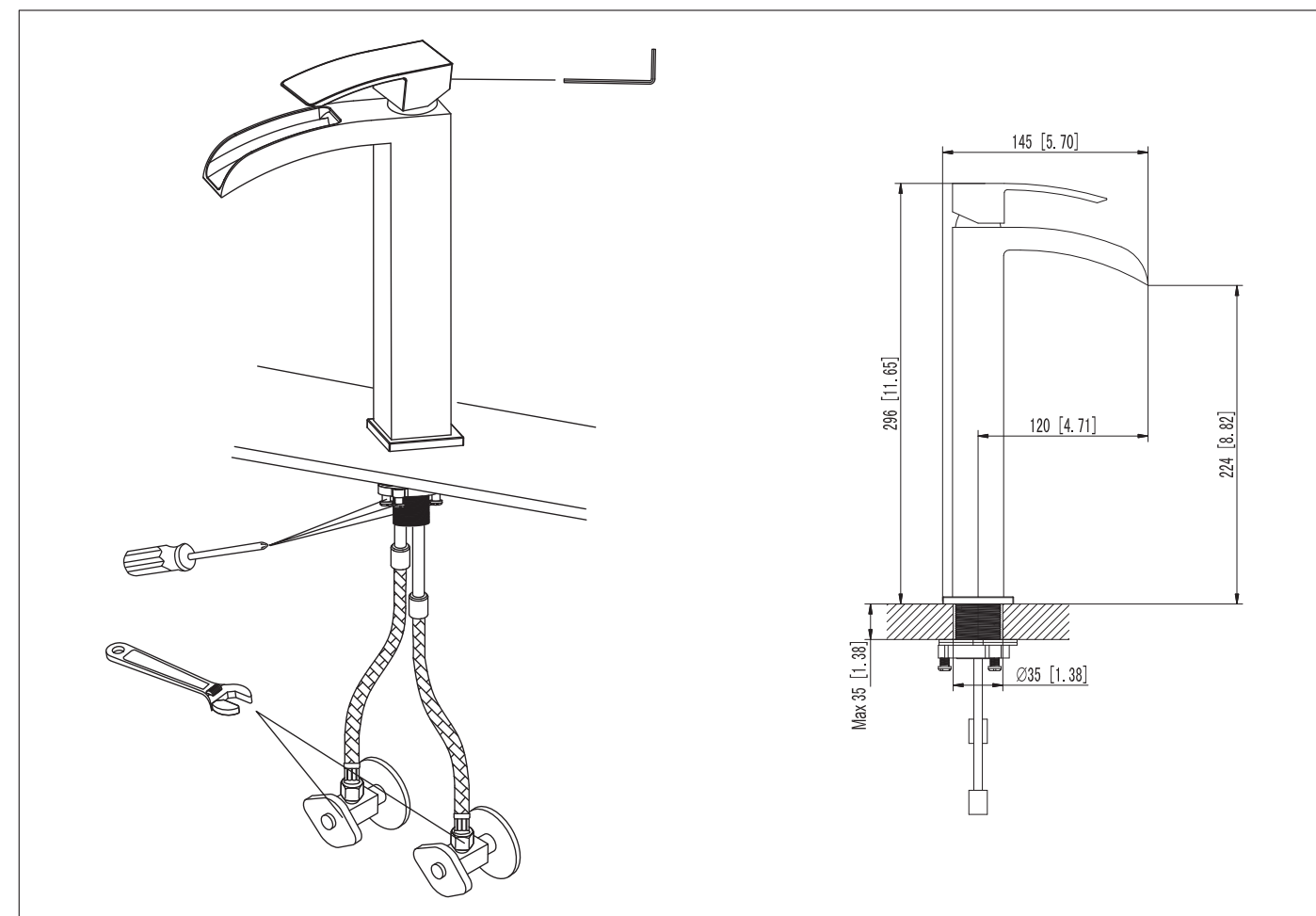


WARNING:
Please keep the
tool for future
use!

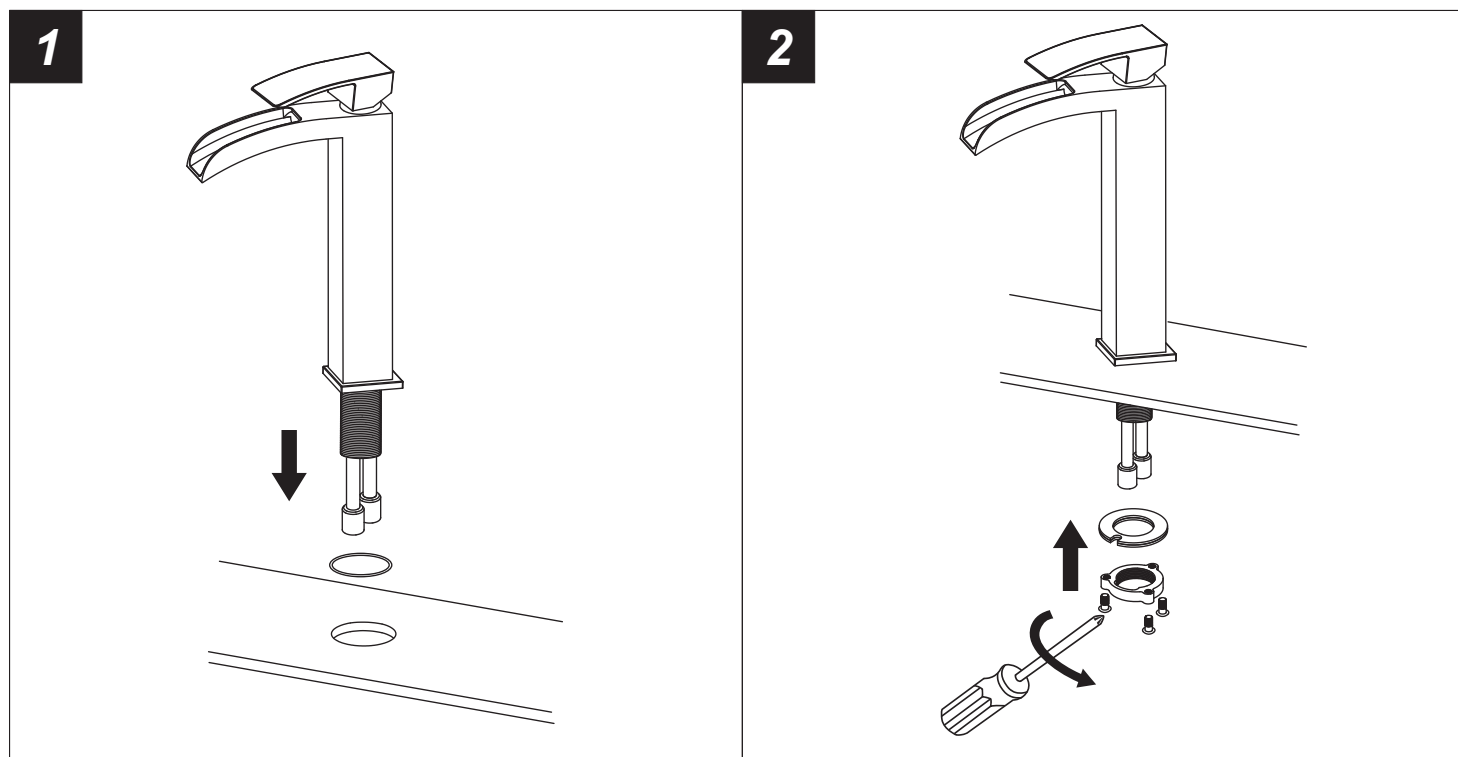


Attention:
for easy installation, you will need:
1. To read all the installation instruction completely before beginning.
2. To read all the warning, attention and maintenance information.
3. To purchase the proper supply lines.

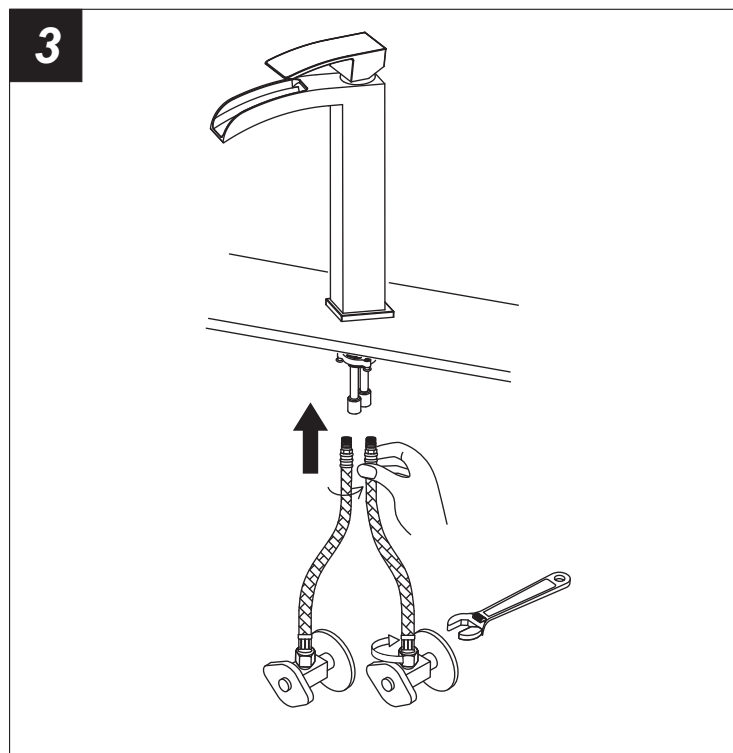
The tools might be applied to the following places:



Step 1 Faucet installation



1. Position the faucet in the installation surface as shown.
2. Adjust the position of the faucet and secure it with the fixing kit as photo.

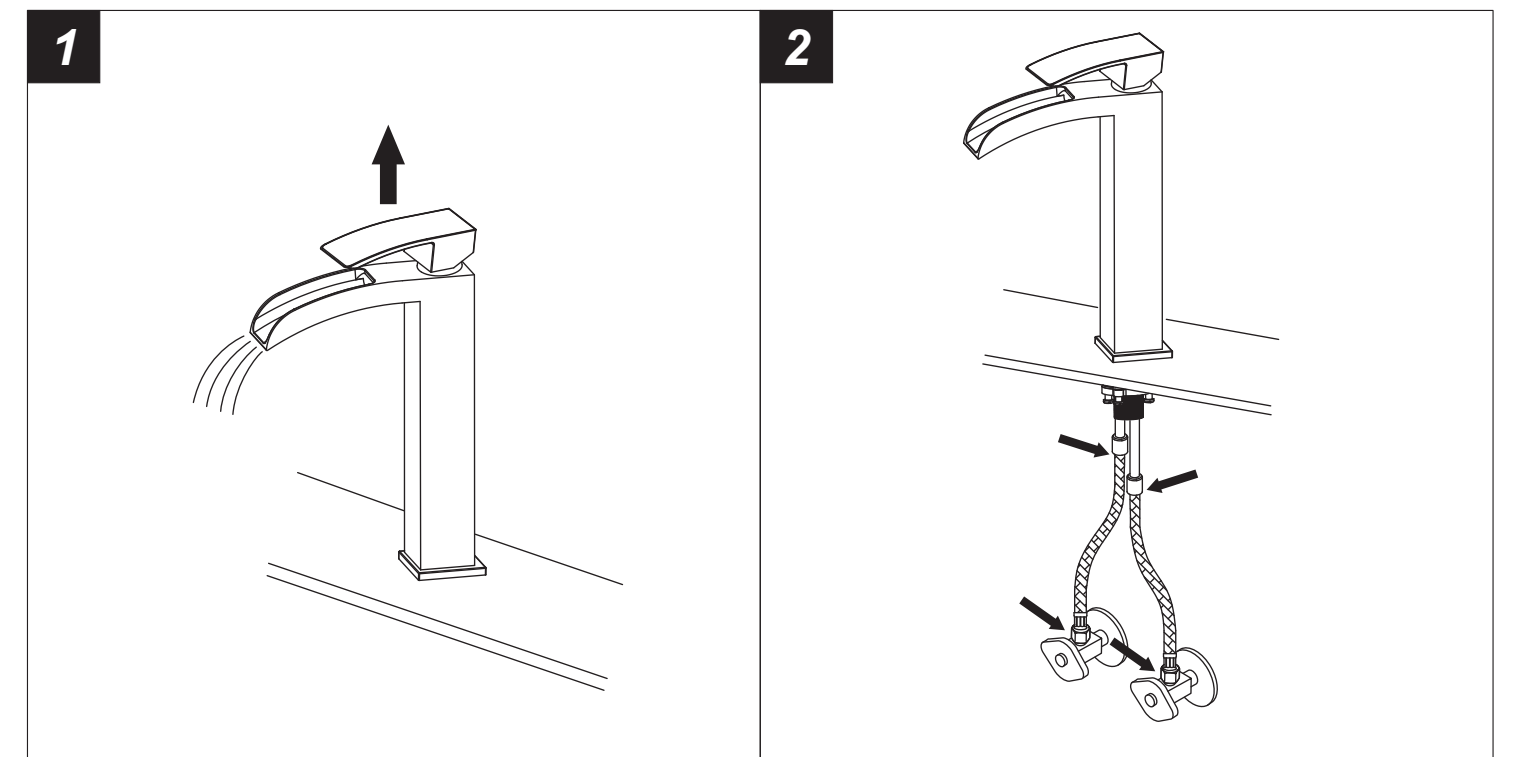


3. Connect the flexible hoses to water supply valve (not included) and copper tubes, and tighten it with adjustable wrench. **DON'T OVER TIGHTEN!** Caution: make sure connect the hot and cold flexible hose to supply valves correctly.

Warning:

The supply valves are not included, please purchase them in plumb shop.

Step 2 Checking and testing



1. Turn the faucet handle all the way on, turn on hot and cold water supply and flush water lines for one minute.
2. Check all connections at arrows for leaks, re-tighten it if necessary. **BUT DON'T OVERTIGHTEN!**

Step 3 Cleaning and care

Daily cleaning and care are required in order to keep the product shining and properly working.

- 1 Clean it with water and dry it with soft cloth.
- 2 Clean the product with gentle liquid or glass cleaner.
- 3 Don't use acid cleaner.
- 4 Don't clean with abrasive material, abrasive paper or knife.