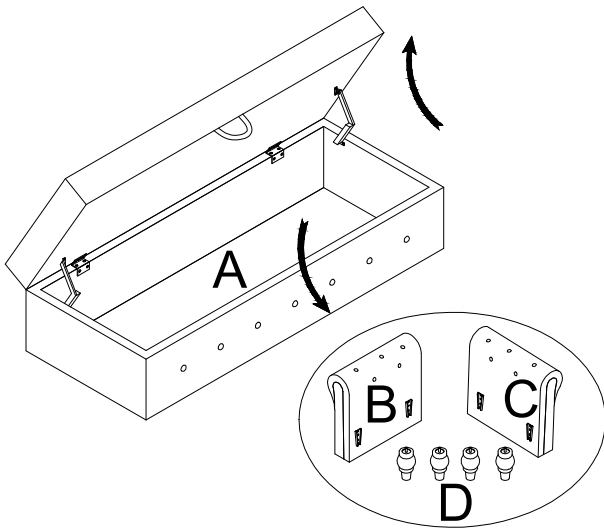


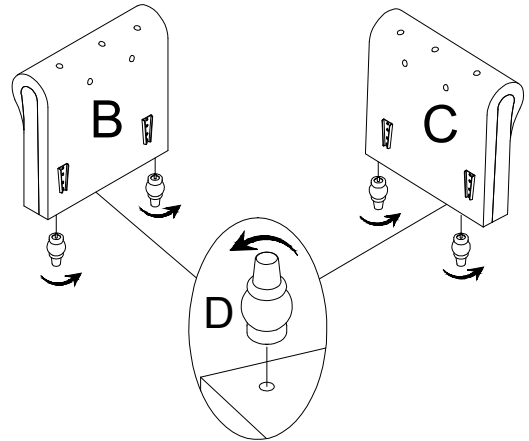
ASSEMBLY INSTRUCTION

MODEL NO.HC9001

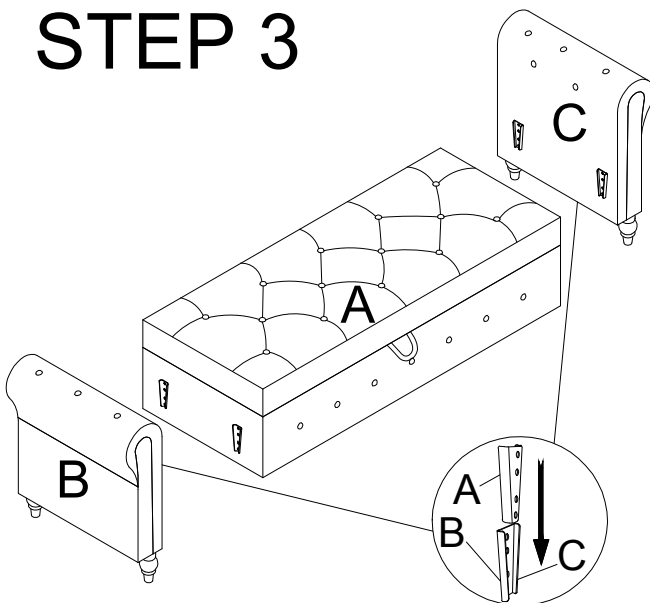
STEP 1



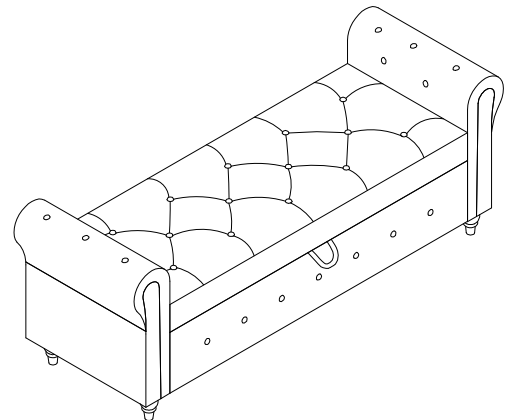
STEP 2



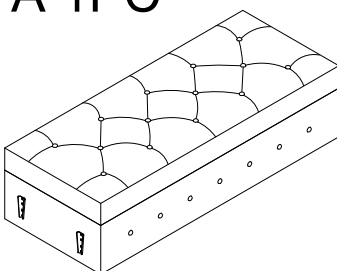
STEP 3



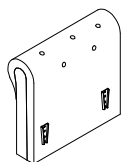
STEP 4



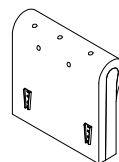
A 1PC



B 1PC



C 1PC



D 4PCS

