



# GLACIER BAY®

Item #'s 485194, 1000113315

Model #N2428R-DF

## USE AND CARE GUIDE

---

### HIGH EFFICIENCY ROUND FRONT DUAL FLUSH TOILET



Questions, problems, missing parts? Before returning to the store,  
call Glacier Bay Customer Service  
8 a.m. - 6 p.m., EST, Monday-Friday

**1-855-434-5224**

**HOMEDEPOT.COM**

---

#### **THANK YOU**

*We appreciate the trust and confidence you have placed in Glacier Bay through the purchase of this toilet. We strive to continually create quality products designed to enhance your home. Visit us online to see our full line of products available for your home improvement needs. Thank you for choosing Glacier Bay!*

# Table of Contents

Table of Contents .....	2	Installation.....	5
Safety Information .....	2	Care and Cleaning .....	8
Warranty .....	2	Troubleshooting .....	8
Pre-Installation .....	3	Replacement Parts List .....	9
Planning Installation .....	3		
Tools required .....	3	Spanish (Español) .....	11-19
Hardware Included.....	3		
Package Contents .....	4		

# Safety Information



**WARNING:** Handle with care. Vitreous chinaware is glasslike with sharp edges if broken. Do not drop, handle roughly, or overtighten bolts.



**WARNING:** Risk of hazardous gases. If a new toilet is not installed immediately, temporarily plug the floor flange hole with a towel (or cover) to block sewer gases from escaping.



**CAUTION:** Observe local plumbing and building codes.

# Warranty

## LIMITED LIFETIME WARRANTY

Glacier Bay products are manufactured with superior quality standards and workmanship and are backed by our limited lifetime warranty. Glacier Bay products are warranted to the original consumer purchaser to be free of defects in materials or workmanship. We will replace FREE OF CHARGE any product or parts that proves defective. Simply, return the product / part to any of The Home Depot retail locations or call 1-855-HD Glacier (1-855-434-5224) to receive the replacement item. Proof of purchase (original sales receipt) from the original consumer purchaser must be made available for all Glacier Bay warranty claims.

This warranty excludes incidental/inconsequential damages and failures due to misuse, abuse or normal wear and tear. This warranty excludes all industrial, commercial and business usage, whose purchasers are hereby, extended a five year limited warranty from the date of purchase, with all other terms of this warranty applying except the duration of warranty.

Some states and provinces do not allow the exclusion or limitation of incidental or consequential damages, so the above limitations may not apply to you. This warranty gives you specific legal rights and you may also have other rights that vary from state to state and province to province. Please see a store or contact 1-855-HD Glacier for more details.

Contact the Customer Service Team at 1-855-434-5224 or visit [www.HomeDepot.com](http://www.HomeDepot.com).

# Pre-Installation

## PLANNING INSTALLATION

Before beginning installation of this product, make sure all parts are present. Compare parts with the Hardware Included and Package Contents lists. If any part is missing or damaged, do not attempt to assemble, install, or operate the product. Contact customer service for replacement parts.

Estimated Assembly Time: 60 minutes

## TOOLS REQUIRED



Putty knife



Carpenter's level

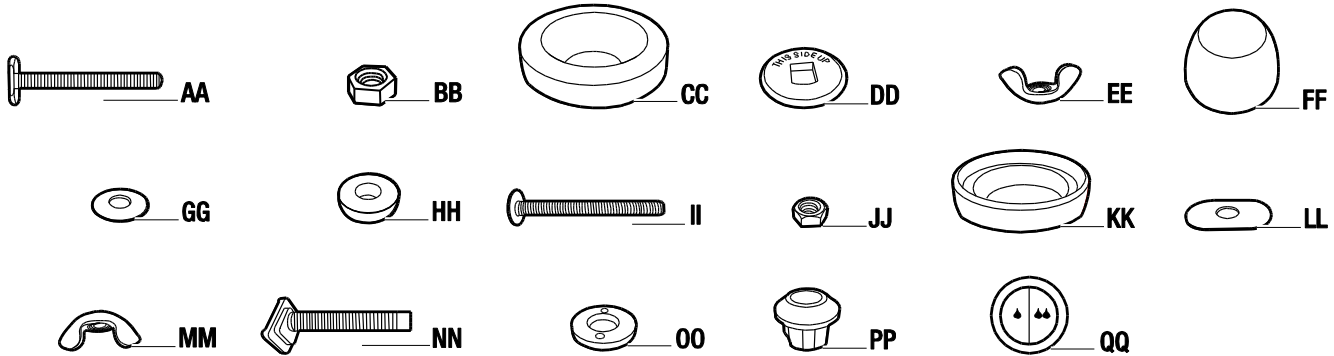


Toilet water supply line

## HARDWARE INCLUDED



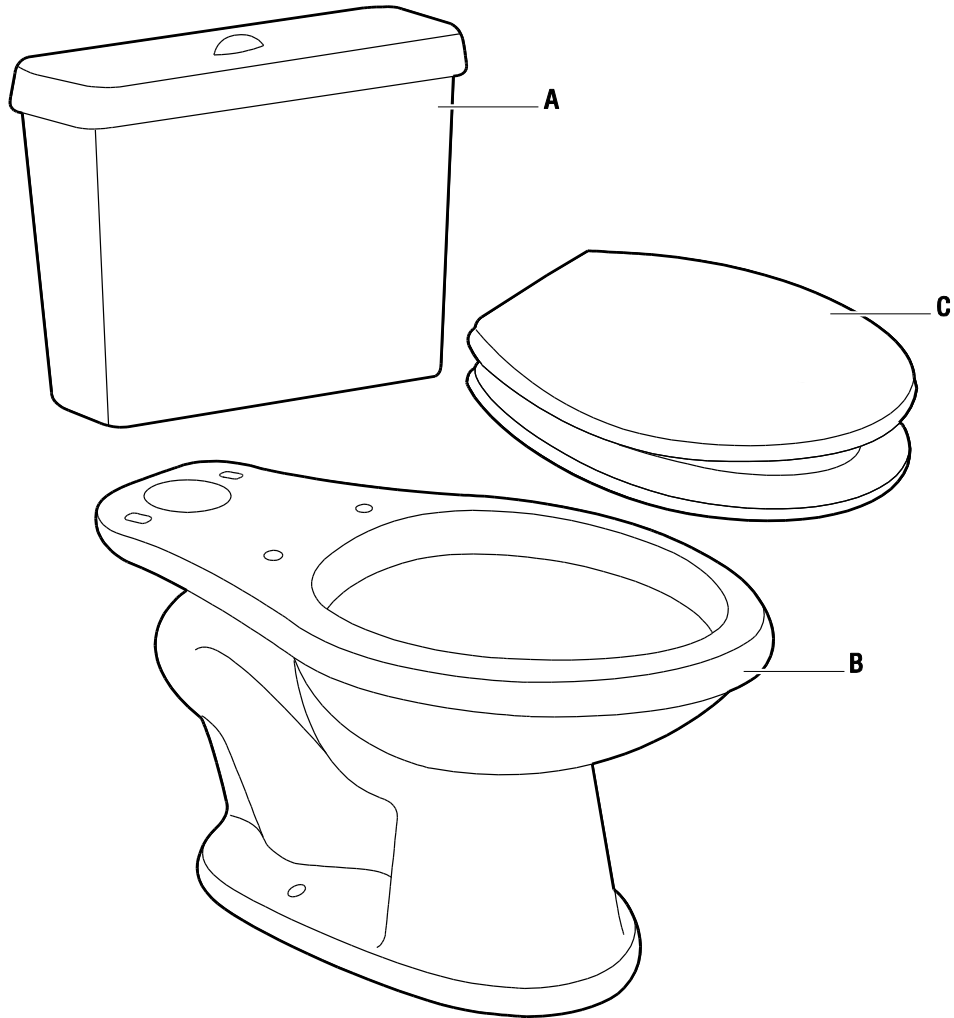
NOTE: Hardware not shown to actual size.



Part	Description	Quantity
AA	Floor bolt	2
BB	Floor bolt hex nut	2
CC	Wax ring	1
DD	Plastic disc	2
EE	Floor bolt wing nut	2
FF	Bolt cap	2
GG	Brass washer (Preassembled to Tank (A))	2
HH	Rubber washer (Preassembled to Tank (A))	4
II	Bolt (Preassembled to Tank (A))	2
JJ	Hex nut (Preassembled to Tank (A))	2
KK	Rubber sealing gasket	1
LL	Oval metal washer	2
MM	Wing nut	2
NN	Lock bolt	2
OO	Toilet seat washer	2
PP	Lock nut	2
QQ	Dual flush button	1

# Pre-Installation (continued)

## PACKAGE CONTENTS



Part	Description	Quantity
A	Tank with cover	1
B	Toilet bowl	1
C	Seat with lid	1

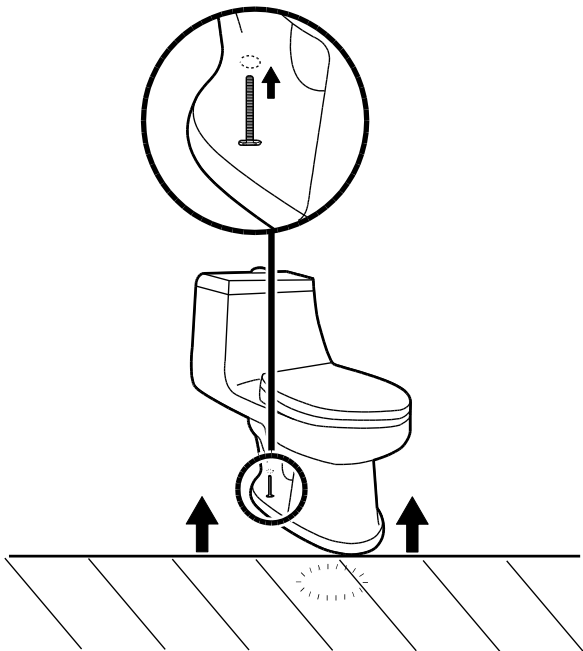
# Installation

## 1 Removing the old toilet

- Turn off the water supply and flush the tank completely. Towel or sponge remaining water from the tank and bowl.
- Disconnect and remove the old water supply line.
- Remove the bowl from the floor by removing the bolt caps and the floor bolt nuts.
- Remove the floor bolts from the toilet flange and clean old wax, putty, and sealant from the base area.
- Temporarily plug the floor flange with a towel or cover to block sewer gases from escaping.

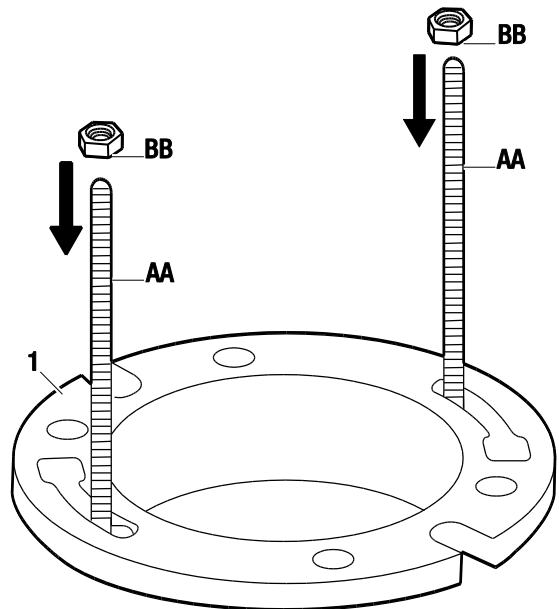


**NOTE:** The mounting surface must be clean and level before the new toilet is installed.



## 2 Installing the floor bolts

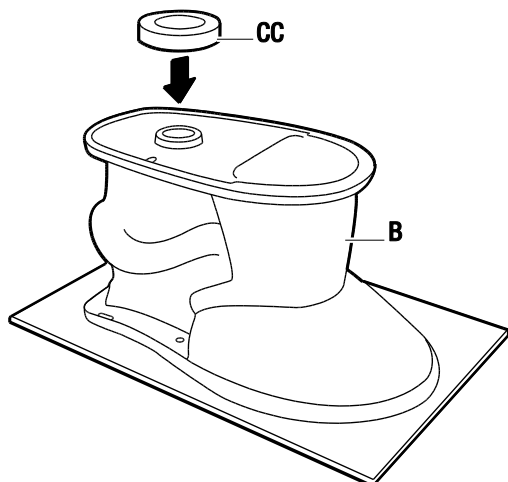
- Insert the floor bolts (AA) into the slots on the toilet flange (1) with the bolt heads down and threaded ends facing up. The heads of the floor bolts (AA) should be perpendicular to the slot opening in the toilet flange.
- Ensure the floor bolts (AA) are parallel to the wall. When set, hand-tighten the hex nuts (BB) onto the floor bolts (AA) to secure.



## Installation (continued)

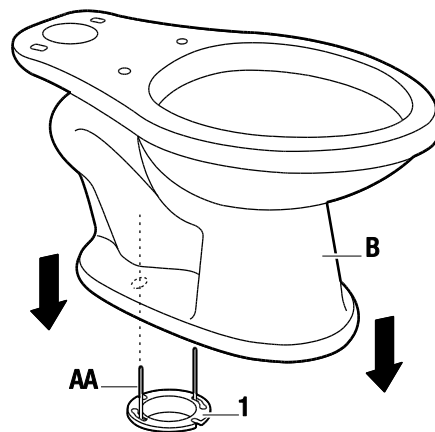
### 3 Installing the wax ring

- Turn the toilet bowl (B) upside down onto a towel or cushioned surface. With the rounded (tapered) end of the wax ring (CC) facing the toilet, place the wax ring (CC) around the raised outlet ring of the bowl (B), and press firmly enough so the wax ring (CC) adheres to the bowl (B).



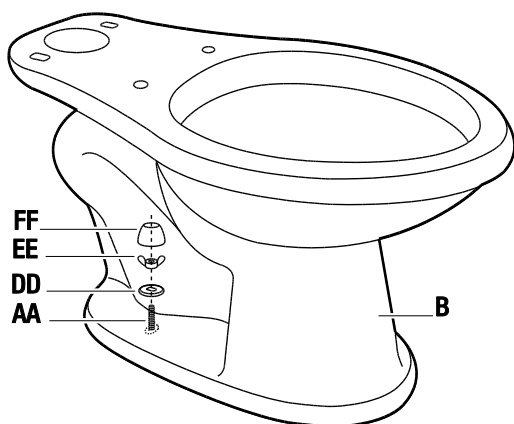
### 4 Installing the toilet

- Place the toilet bowl (B) over the toilet flange (1) in alignment with the floor bolts (AA) so they protrude through the slots on the base of the toilet bowl (B). Press down on the toilet bowl (B).



### 5 Securing the toilet

- From the backside of the toilet (B), place the plastic discs (DD) over the floor bolts (AA), noting 'this side up' on the top of the discs.
- Tighten the floor bolt wing nuts (EE) onto the floor bolts (AA) to secure the position of the plastic discs (DD).
- Place the bolt cap covers (FF) over the floor bolts (AA) and snap into place.

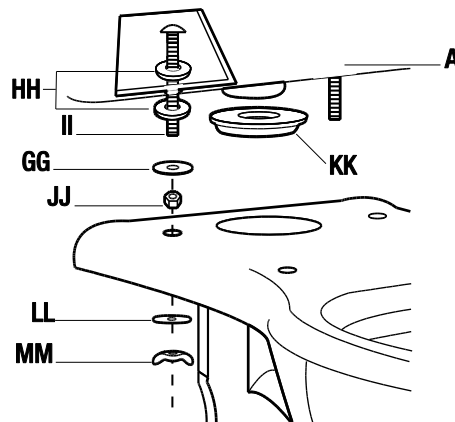


### 6 Installing the tank

- Attach the rubber sealing gasket (KK) to the center drain hole under the tank (A).
- Gently place the tank (A) on the toilet bowl (B) with bolts (II) protruding out underneath.
- Place an oval metal washer (LL) followed by a wing nut (MM) onto each protruding bolt (II).
- Tighten the wing nuts (MM) enough so that the tank (A) sits level and secure on the toilet bowl (B). Make sure the tank (A) is parallel to the wall and straight on the toilet bowl (B).



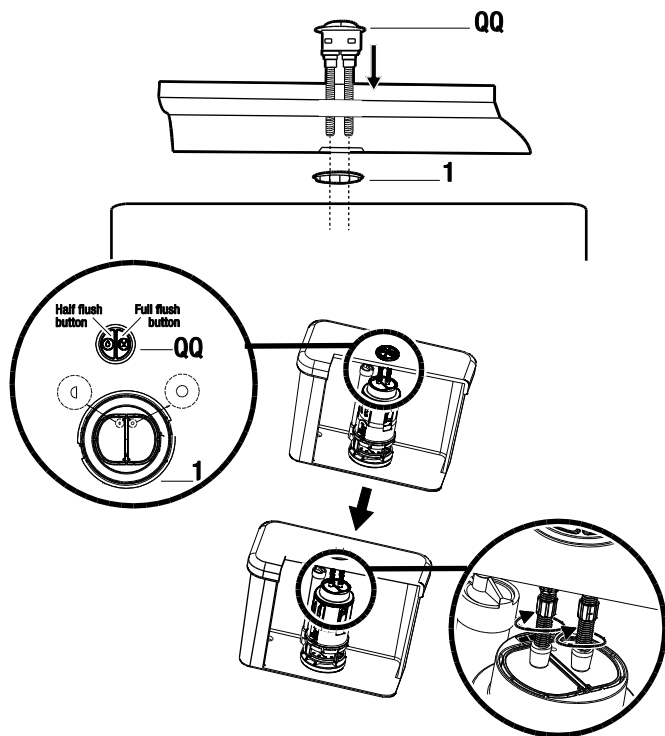
**CAUTION:** Do not overtighten the nuts. Severe damage may occur.



## Installation (continued)

### 7 Installing and adjusting the flush button

- Position the flush button mechanism (QQ) in tank lid so the single drop button will align with blue button (half flush) on top of the flush valve and double drop button aligns with the grey button (full flush).
- Secure the flush button mechanism (QQ) in the tank lid by hand tightening the lock nut (1).
- The rubber tip on the bottom of the push rods leading from the flush buttons should lightly touch the top of the levers on the flush valve.
- To increase the rod length, turn the rod locknut counter-clockwise to loosen, then rotate the push rod counter-clockwise to increase exposed length. When the desired length is achieved, turn the rod locknut clockwise, while holding the push rod, until it is tightened.

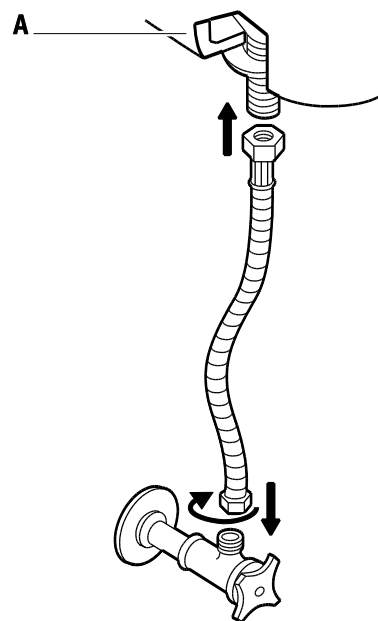


### 8 Connecting the water supply line

- Connect the water supply line (not included) between the tank (A) and shut-off valve.
- Tighten the tank connection coupling nut  $\frac{1}{4}$  turn beyond hand tight.
- Turn on the supply valve and allow the tank (A) to fill.
- Check for leakage at all connections and tighten or correct as needed.



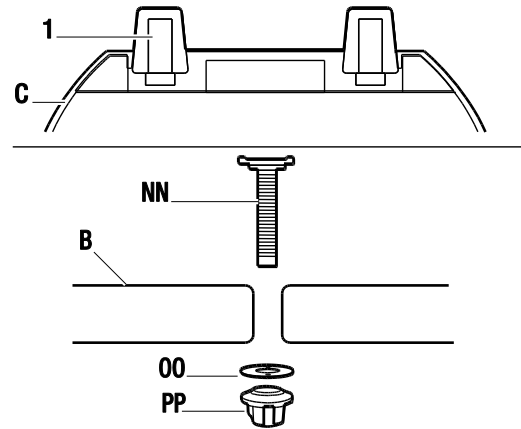
**NOTE:** Do not overtighten the tank connection.



## Installation (continued)

### 9 Installing the seat with lid

- Turn the toilet seat with lid (C) upside-down.
- Insert the lock-bolt (NN) in the bolt trough (1), then adjust the lock-bolt (NN) to make the hole distance match with the toilet.
- Turn the toilet seat with lid (C) over so that the lock-bolts (NN) protrude downward.
- Insert the lock-bolts (NN) into the holes on the toilet (B) and adjust the toilet seat and lid (C) to find the best assembly position.
- Place the washer (OO) and the lock-nut (PP) onto the lock bolt (NN) from underneath the toilet (B) and tighten the lock-nut (PP) firmly to secure the seat and lid (C) in place on the toilet (B).



## Care and Cleaning

Your new toilet is made of stain-, acid- and abrasion-resistant vitreous china. Clean the outside surface with mild soap, warm water and a soft cloth. On stubborn stains use a powdered detergent and damp sponge or nylon scouring pad. Never use abrasive scouring powders, cleansers or pads because they will scratch, damage and dull the surface. The manufacturer shall not be responsible or liable for any tank fitting damage caused by the use of cleaners containing chlorine (calcium hypochlorite). When cleaning your toilet seat, wash it with mild soapy water. Rinse the seat thoroughly with clean water and dry with a soft cloth. Avoid detergents, disinfectants or cleaning products in aerosol cans. NEVER use abrasive scouring powders on your seat. Some bathroom chemicals and cosmetics may cause damage to the seat's finish, so test your cleaning solution on an inconspicuous area before applying to the entire surface.



**WARNING: DO NOT USE IN-TANK CLEANERS.** Products containing chlorine (calcium hypochlorite) can seriously damage tank fittings potentially causing leaks, excessive water use and property damage.

## Troubleshooting

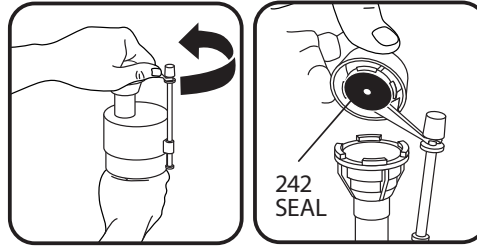
Problem	Solution
If fill valve does not turn on, will not turn off, or will not refill the tank after the flush.	<ul style="list-style-type: none"> <li>□ Remove top cap and check for debris. If you find debris or flow is weak; inspect lower section of fill valve for partial blockage. Partial blockage may be at shut off valve or in water supply line. (See "REMOVING THE VALVE CAP ASSEMBLY &amp; FLUSHING OUT DEBRIS")</li> <li>□ If fill valve has been in use for some time and/or float cup does not drop when flushing tank, replace seal with a genuine Fluidmaster 242 seal (See "IF REPLACING SEAL")</li> </ul>
The flush quality of the toilet is poor.	<ul style="list-style-type: none"> <li>□ Make sure the water level in the tank is up to the water line printed on the overflow tube of the flush valve. To increase the water level, turn the adjustment screw on the fill valve clockwise to raise the float cup.</li> <li>□ Make sure the push rods are the correct length. The push rods should be set to a gap of approximately 1/16 in. above the push buttons of the flush valve. To adjust, loosen the collar on the push rod and turn the rod counterclockwise to extend the length. Tighten the collar to secure.</li> </ul>
Water continues to run.	<ul style="list-style-type: none"> <li>□ Check to make sure the rubber seal gasket on the flush valve is completely closed. Clear any debris from the gasket surface and sealing area of the flush valve which may be obstructing full closure.</li> </ul>



# Troubleshooting (continued)

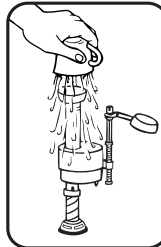
## REMOVING VALVE CAP ASSEMBLY

Turn off water supply and flush out tank. Push float up with right hand (see picture). Grip and hold shaft under float with right hand. With left hand, twist cap and lever counter clockwise 1/8<sup>th</sup> of a turn to unlock the top cap. Pressing down on top may be helpful with older valves. Let cap assembly hand out float cup.



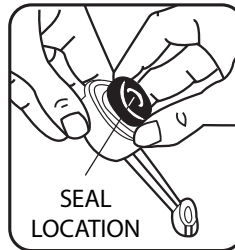
## FLUSHING OUT DEBRIS

Hold cup upside down over uncapped valve to prevent splashing. Turn water supply on and off a few times. Turn water supply off when putting cap back on valve.



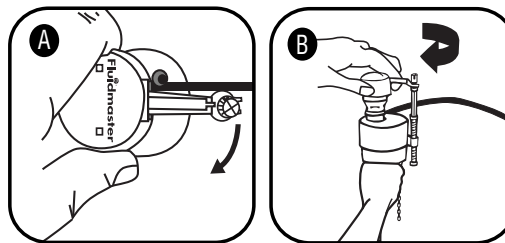
## IF REPLACING SEAL

Use only a genuine Fluidmaster 242 seal.



## REPLACING VALVE CAP

- Place cap assembly on top of grey valve body by aligning cap arm and adjustment rod next to refill tube.
- Press down on top cap while rotating top arm clockwise to locked position.



# Replacement Parts List

Part Name	Model Number	Home Depot SKU
Fill Valve	<input type="checkbox"/> 400ARHR	<input type="checkbox"/> #717773, #1001281180
Replacement Seal	<input type="checkbox"/> 83SGB	<input type="checkbox"/> #1000047459
Flush Valve	<input type="checkbox"/> 830VBGB	<input type="checkbox"/> #1000047453



Questions, problems, missing parts? Before returning to the store,  
call Glacier Bay Customer Service  
8 a.m. - 6 p.m., EST, Monday-Friday

**1-855-434-5224**

**HOMEDEPOT.COM**

Retain this manual for future use.



# GLACIER BAY®

Núm. de artículo 485194, 1000113315

Núm. de modelo N2428R-DF

## GUÍA DE USO Y CUIDADO

---

**INODORO REDONDO DE DOBLE DESCARGA DE ALTA EFICIENCIA**



¿Tiene preguntas, problemas, o faltan piezas? Antes de regresar a la tienda,  
llame al Servicio a Clientes de Glacier Bay  
entre 8 a.m. y 6 p.m., hora local del Este, de lunes a viernes

**1-855-434-5224**

**HOMEDEPOT.COM**

---

**GRACIAS**

*Agradecemos la confianza que ha puesto en Glacier Bay a través de la compra de este inodoro. Nos esforzamos por crear continuamente productos de calidad diseñados para mejorar su hogar. Visítenos en internet para ver nuestra línea completa de productos disponibles para sus necesidades de mejorar su hogar. ¡Gracias por elegir a Glacier Bay!*

# Tabla de contenido

Tabla de contenido.....	12	Instalación.....	15
Información de seguridad .....	12	Cuidado y limpieza .....	18
Garantía .....	12	Resolución de fallas .....	18
Pre-instalación.....	13	Lista de piezas de reemplazo.....	19
Planificación de la instalación .....	13		
Herramientas requeridas .....	13	Inglés (English) .....	1-9
Herraje incluido.....	13		
Contenido Del Paquete .....	14		

# Información de seguridad



**ADVERTENCIA:** Manéjese con cuidado. La porcelana vítrea es parecida al vidrio y produce bordes afilados si se rompe. No la deje caer, no la maneje bruscamente ni apriete demasiado los pernos.



**ADVERTENCIA:** Riesgo de gases peligrosos. Si no se instala de inmediato un inodoro nuevo, tape temporalmente el agujero de brida del piso con una toalla o cobertor para evitar que escapen los gases de la cloaca.



**PRECAUCIÓN:** Siga los códigos locales de plomería y construcción

# Garantía

## GARANTÍA DE POR VIDA LIMITADA

Los productos de Glacier Bay están fabricados con normas y mano de obra de calidad superior y están respaldados por nuestra garantía de por vida limitada. Los productos de Glacier Bay están garantizados al comprador consumidor original de estar libres de defectos en materiales o mano de obra. Reemplazaremos LIBRE DE CARGOS cualquier producto o pieza que se demuestre está defectuosa. Simplemente, devuelva el producto a cualquiera de las ubicaciones de venta al detalle de The Home Depot o llame al 1-855-HD Glacier (1-855-434-5224) para recibir el artículo de reemplazo. La prueba de compra (recibo de venta original) del comprador consumidor original debe estar disponible para todos los reclamos de garantía de Glacier Bay.

Esta garantía excluye daños y fallos incidentales/consecuenciales debido al mal uso, abuso o desgaste normal por el uso. Esta garantía excluye todos los usos industriales, comerciales y de negocios, a cuyos compradores por la presente, se les ha ampliado una garantía limitada de cinco años a partir de la fecha de compra, con todos los otros artículos de esta garantía que aplican excepto la duración de la garantía.

Algunos estados y provincias no permiten la exclusión o la limitación de los daños incidentales o consecuenciales, por lo tanto, las limitaciones y exclusiones anteriores podrían no aplicar a usted. Esta garantía le otorga derechos legales específicos y también puede tener otros derechos que varían de un estado a otro. Por favor, vaya a una tienda o llame al 1-855-HD Glacier para más detalles.

Póngase en contacto con el Equipo de Servicio al Cliente llamando al 1-855-434-5224 o visite [www.HomeDepot.com](http://www.HomeDepot.com).

# Pre-instalación

## PLANIFICACIÓN DE LA INSTALACIÓN

Antes de comenzar a instalar este producto, asegúrese de que todas las partes estén presentes. Compare las piezas con el herraje incluido y las listas de contenido del paquete. Si hace falta alguna parte o se encuentra dañada, no intente ensamblar, instalar u operar el producto. Póngase en contacto con servicio al cliente para las partes de reemplazo.

Tiempo estimado de ensamblado: 60 minutos

## HERRAMIENTAS REQUERIDAS



Espátula



Nivel de carpintero

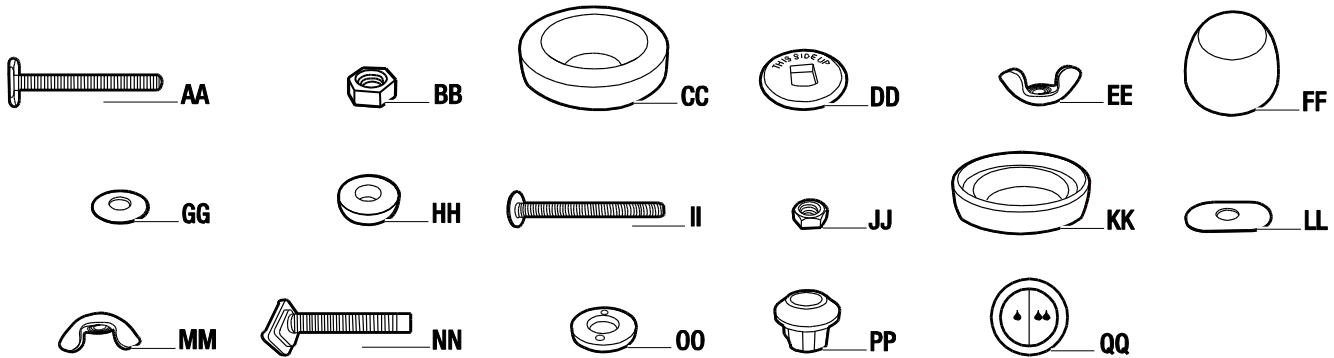


Línea de suministro de agua del inodoro

## HERRAJE INCLUIDO



NOTA: No se muestra el herraje con el tamaño real.



Pieza	Descripción	Cantidad
AA	Perno de piso	2
BB	Tuerca hexagonal del perno de piso	2
CC	Anillo de cera	1
DD	Disco plástico	2
EE	Tuerca mariposa del perno de piso	2
FF	Tapa de perno	2
GG	Arandela de latón (preensamblada al tanque(A))	2
HH	Arandela de goma (preensamblada al tanque (A))	4
II	Perno (Preensamblado al tanque (A))	2
JJ	Tuerca hexagonal (preensamblada al tanque (A))	2
KK	Junta de sellado de goma	1
LL	Arandela metálica oval	2
MM	Tuerca mariposa	2
NN	Perno de seguridad	2
OO	Arandela del asiento del inodoro	2
PP	Tuerca de seguridad	2
QQ	Botón de doble descarga	1

# Pre-instalación (continuación)

## CONTENIDO DEL PAQUETE



Pieza	Descripción	Cantidad
A	Tanque con cubierta	1
B	Taza del inodoro	1
C	Asiento con tapa	1

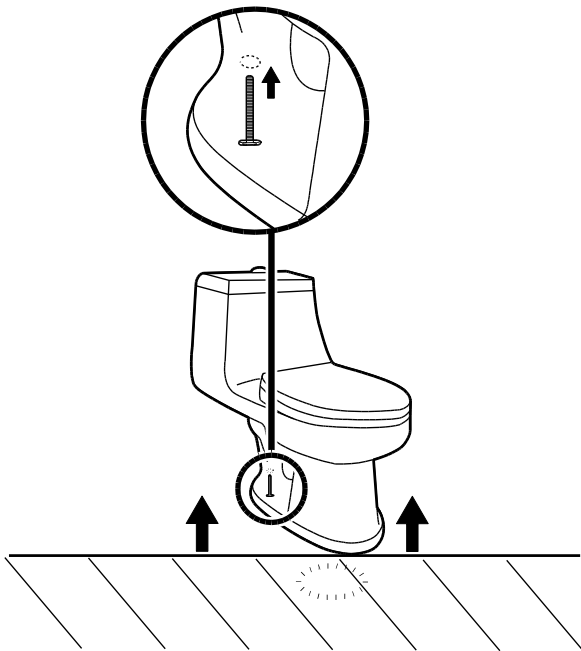
# Instalación

## 1 Extracción del inodoro viejo

- ❑ Cierre el suministro de agua y descargue por completo el tanque. Con una toalla o esponja retire el agua remanente del tanque y taza.
- ❑ Desconecte y retire la vieja línea de suministro de agua.
- ❑ Retire la taza del piso extrayendo las tapas de los pernos y las tuercas de los pernos de piso.
- ❑ Retire los pernos de piso de la brida del inodoro y limpie la cera, masilla y sellador viejos del área de la base.
- ❑ Tape temporalmente la brida del piso con una toalla o cobertor para evitar que escapen los gases de la cloaca.

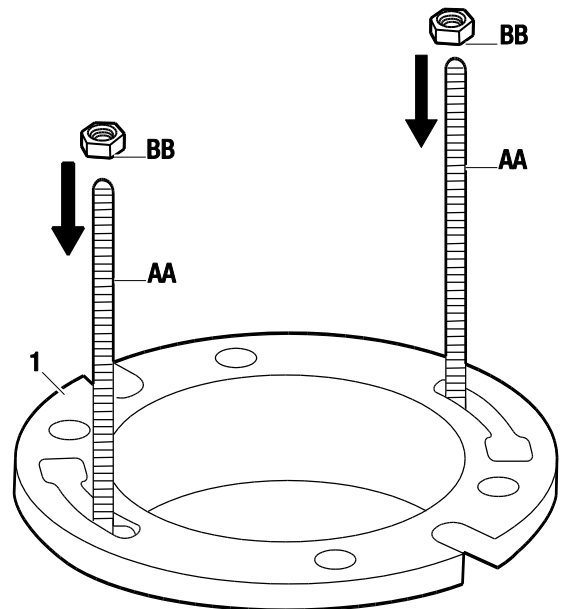


**NOTA:** La superficie de montaje debe estar limpia y a nivel antes de instalar el nuevo inodoro.



## 2 Instalación de los pernos de piso

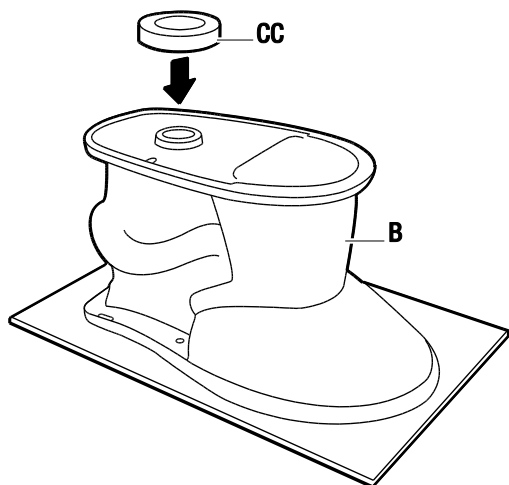
- ❑ Inserte los pernos de piso (AA) en las ranuras de la brida del inodoro (1) con las cabezas de los pernos hacia abajo y los extremos roscados hacia arriba. Las cabezas de los pernos de piso (AA) deben estar perpendiculares a la abertura de la ranura en la brida del inodoro.
- ❑ Asegúrese de que los pernos de piso (AA) estén paralelos a la pared. Cuando estén instalados, apriete a mano las tuercas hexagonales (BB) sobre los pernos de piso (AA) para asegurarlos.



## Instalación (continuación)

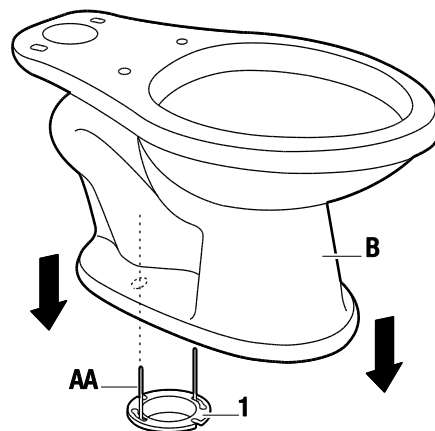
### 3 Instalación del anillo de cera

- Ponga la taza del inodoro (B) boca abajo sobre una toalla o superficie acolchonada. Con el extremo redondeado (ahusado) del anillo de cera (CC) hacia el inodoro, coloque el anillo de cera (CC) alrededor del anillo elevado de salida de la taza (B), y presione con suficiente firmeza de modo que el anillo de cera (CC) se adhiera a la taza (B).



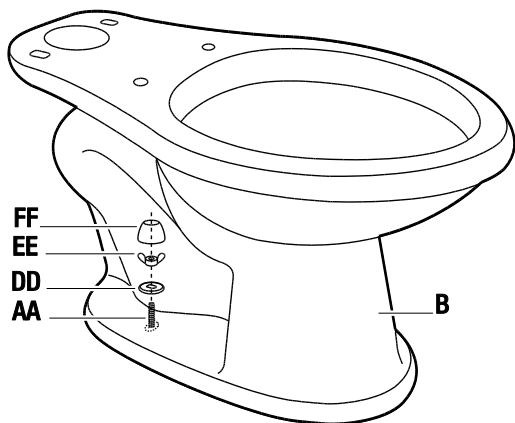
### 4 Instalación del inodoro

- Coloque la taza del inodoro (B) sobre la brida (1) alineado con los pernos de piso (AA) de modo que sobresalgan a través de las ranuras en la base de la taza del inodoro (B). Presione hacia abajo en la taza del inodoro (B).



### 5 Fijación del inodoro

- De la parte trasera del inodoro (B), coloque los discos plásticos (DD) sobre los pernos de piso (AA), tomando en cuenta 'este lado hacia arriba' en la parte superior de los discos.
- Apriete las tuercas mariposa del perno de piso (EE) sobre los pernos de piso (AA) para asegurar la posición de los discos plásticos (DD).
- Coloque las cubiertas de las tapas de los pernos (FF) sobre los pernos de piso (AA) y encaje en su lugar.

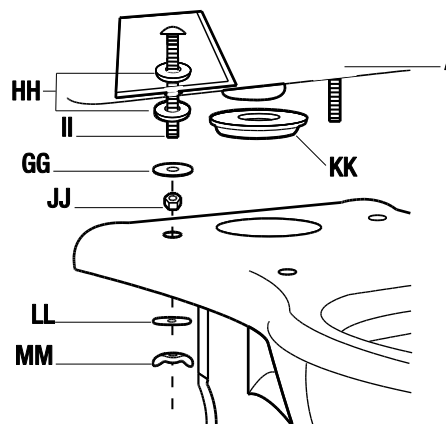


### 6 Instalación del tanque

- Instale la junta de sellado de goma (KK) en el agujero del desagüe central abajo del tanque (A).
- Suavemente, coloque el tanque (A) en la taza del inodoro (B) con pernos (II) que sobresalen desde abajo.
- Coloque una arandela metálica oval (LL) seguida de una tuerca mariposa (MM) sobre cada perno que sobresale (II).
- Apriete las tuercas mariposa (MM) lo suficiente para que el tanque (A) se encuentra nivelada y segura sobre la taza del inodoro (B). Asegúrese de que el tanque (A) esté paralelo a la pared y recto en la taza del inodoro (B).



**PRECAUCIÓN:** No apriete demasiado las tuercas. Pueden ocurrir daños severos.

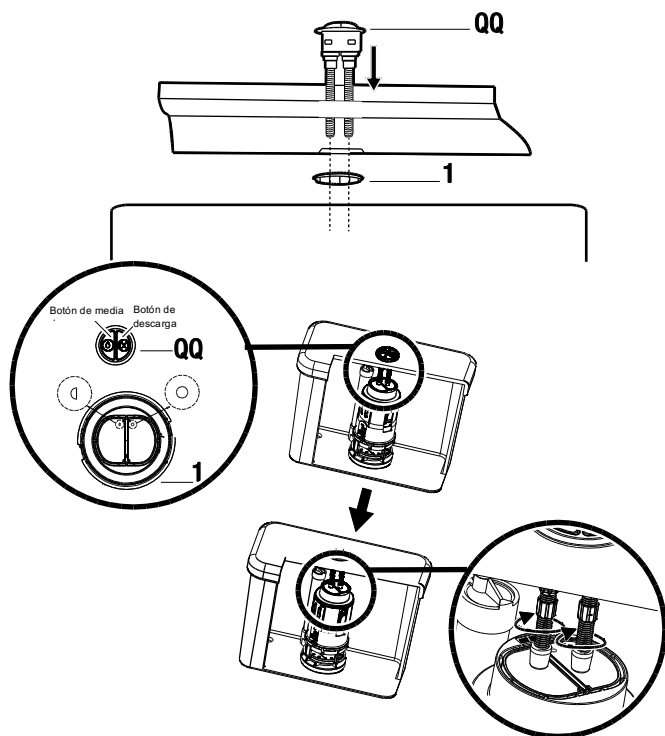




# Instalación (continuación)

## 7 Instalación y ajuste del botón de descarga

- Ubique el mecanismo del botón de descarga (QQ) en la tapa del tanque de modo que el botón de una sola caída se alinee con la palanca azul (media descarga) en la parte superior de la válvula de descarga y el botón de doble caída se alinee con la palanca blanca (descarga completa).
- Asegure el mecanismo del botón de descarga (QQ) en la tapa del tanque apretando a mano la tuerca de seguridad (1).
- La punta de goma en el extremo inferior de las varillas de empuje que van desde los botones de descarga deben tocar ligeramente la parte superior de las palancas en la válvula de descarga.
- Para aumentar la longitud de la varilla, gire la tuerca de seguridad de la varilla hacia la izquierda, luego gire la varilla de empuje hacia la izquierda para aumentar la longitud expuesta. Cuando se logre la longitud deseada, gire la tuerca de seguridad de la varilla hacia la derecha, mientras sostiene la varilla de empuje, hasta que esté apretada.

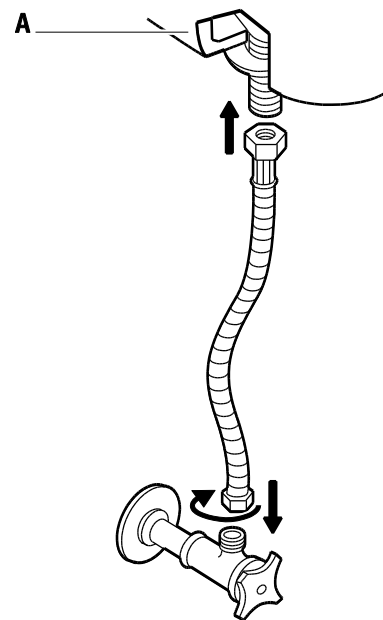


## 8 Conexión de la línea de suministro de agua

- Conecte la línea del suministro de agua (no incluida) entre el tanque (A) y la válvula de cierre.
- Apriete la tuerca de acoplamiento de conexión del tanque  $\frac{1}{4}$  de vuelta más allá del apriete a mano.
- Abra la válvula de suministro y deje que se llene el tanque (A).
- Compruebe que no hayan fugas en todas las conexiones y apriete o corrija según sea necesario.



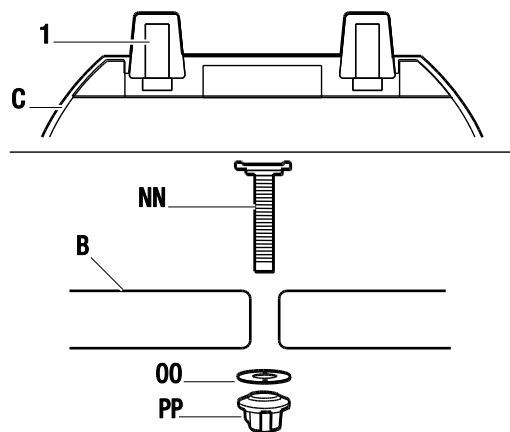
**NOTA:** No apriete demasiado la conexión del tanque.



## Instalación (continuación)

### 9 Instalación del asiento con tapa

- Ponga el asiento del inodoro con la tapa (C) boca abajo.
- Inserte el perno de seguridad (NN) en el perno pasante (1), luego ajuste el perno de seguridad (NN) para hacer que la distancia del agujero coincida con el inodoro.
- Voltee el asiento del inodoro con tapa (C) de modo que los pernos de seguridad (NN) sobresalgan hacia abajo.
- Inserte los pernos de seguridad (NN) en los agujeros en el inodoro (B) y ajuste el asiento del inodoro y la tapa (C) hasta encontrar la mejor posición de ensamblaje
- Coloque la arandela (OO) y la tuerca de seguridad (PP) sobre el perno de seguridad (NN) desde abajo del inodoro (B) y apriete la tuerca de seguridad (PP) con firmeza para asegurar el asiento y la tapa (C) en su lugar en el inodoro (B).



## Cuidado y limpieza

Su nuevo inodoro está hecho de porcelana vítrea resistente a manchas, ácidos y la abrasión. Limpie la superficie exterior con jabón suave, agua tibia y un paño suave. Sobre las manchas persistentes, use un detergente en polvo y una esponja húmeda o un estropajo de nylon. Nunca use polvos pulidores abrasivos, productos de limpieza o estropajos metálicos porque pueden rayar, dañar y palidecer la superficie. El fabricante no será responsable legal ni de cualquier otra índole por ningún daño de accesorios del tanque ocasionados por el uso de productos de limpieza que contengan cloro (hipoclorito de calcio). Cuando limpie su asiento del inodoro, lávelo con agua jabonosa suave. Enjuague el asiento por completo con agua limpia y seque con un paño suave. Evite los detergentes, desinfectantes o productos de limpieza en latas de aerosol. NUNCA use polvos pulidores abrasivos en su asiento. Algunos químicos y cosméticos para baño pueden dañar el acabado del asiento, de modo que pruebe su solución de limpieza en un área no visible antes de aplicarlos a toda la superficie.



**ADVERTENCIA: NO USE LIMPIADORES DENTRO DEL TANQUE.** Los productos que contienen cloro (hipoclorito de calcio) pueden dañar seriamente los accesorios del tanque ocasionando posibles fugas, uso excesivo de agua y daños a la propiedad.

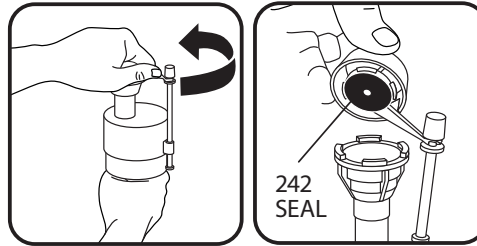
## Resolución de fallas

Problema	Solución
Si la válvula de llenado no se enciende, no se apaga, o no se vuelve a llenar el depósito después de la RAS.	<ul style="list-style-type: none"> <li>□ Retire la tapa superior y examine si hay suciedad en el tanque. Si encuentra residuo o el flujo de agua esta debil; inspeccione la sección inferior de la válvula de llenado en busca de una obstrucción parcial. La obstrucción parcial puede estar en la válvula de cierre o en la línea de suministro de agua. (Consulte "Extracción DE LA TAPA DE LA VÁLVULA GENERAL &amp; EL LAVADO DE DESECHOS").</li> <li>□ Si la válvula de llenado se ha utilizado durante algún tiempo y/o el flotador no baja en el tanque cuando descarga, sustituir la junta con un sello genuino de Fluidmaster 242 (consulte "Si la sustitución de la Junta").</li> </ul>
La calidad de la descarga del inodoro es mala.	<ul style="list-style-type: none"> <li>□ Asegúrese de que el nivel del agua en el tanque esté en la línea marcada "Water Level" que está impresa en el tubo de desagüe de la válvula de descarga. Para aumentar el nivel del agua, gire el tornillo de ajuste en la válvula de llenado hacia la derecha para elevar el flotador de copa.</li> <li>□ Confirme que la cadena del tapón no esté muy tensa, si lo está aflójela un poco. Si está suelta, tensiónela. La cadena debe quedar levemente holgada en la posición cerrada. Revise la acción de levante para comprobar que el tanque se descargue debidamente.</li> </ul>
El agua continúa corriendo.	<ul style="list-style-type: none"> <li>□ Revise para asegurarse que el tapón este completamente cerrado. Limpie cualquier residuo de la superficie de la junta del tapón y el área de sellado de la válvula de descarga que puede estar obstruyendo el cierre completo.</li> </ul>

# Resolución de fallas (continuación)

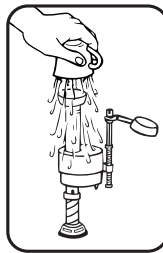
## SAQUE EL CONJUNTO DEL TAPÓN DE LA VÁLVULA

Cierre el suministro de agua y vacíe el tanque. Empuje el flotador hacia arriba con la mano derecha. Agarre y sostenga la espiga bajo el flotador con la mano derecha. Con la mano izquierda gire la tapa y la palanca en dirección contraria a las manecillas del reloj un octavo de giro para desbloquear. Deje que el ensamblado de la tapa superior quede suspendido sobre el tornillo de ajuste.



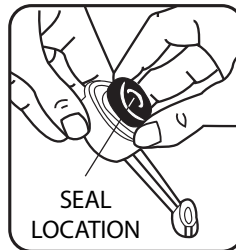
## EL LAVADO DE LOS DESECHOS

Sostenga una taza sobre la válvula destapada para que no salpique agua. Abra y cierre completamente el suministro de agua unas cuantas veces. Cierre la llave de suministro de agua cuando regrese la tapa de la válvula a su lugar.



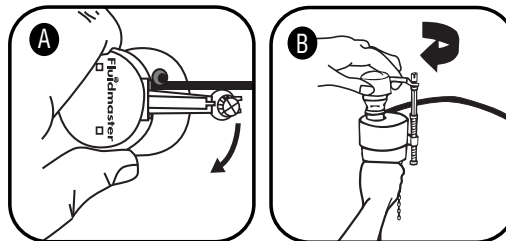
## SELLO DE SUSTITUCIÓN

Use solamente un verdadero sello de Fluidmaster 242.



## LA SUSTITUCIÓN DE TAPA DE LA VÁLVULA

- Coloque el ensamblado de la tapa sobre el cuerpo de la válvula gris alineando el brazo de la tapa y la varilla de ajuste con la manguera de recarga.
- Presione hacia abajo la tapa superior girando la parte superior y el brazo en dirección de las manecillas del reloj a la posición de bloqueo.



## Lista de piezas de reemplazo

Nombre de la pieza	Número de modelo	Home Depot SKU
Válvula de llenado	<input type="checkbox"/> 400ARHR	<input type="checkbox"/> #717773, #1001281180
Válvula de descarga	<input type="checkbox"/> 830VBGB	<input type="checkbox"/> #1000047453
Sello de reemplazo	<input type="checkbox"/> 83SGB	<input type="checkbox"/> #1000047459



¿Tiene preguntas, problemas, o faltan piezas? Antes de regresar a la tienda,  
llame al Servicio a Clientes de Glacier Bay  
entre 8 a.m. y 6 p.m., hora local del Este, de lunes a viernes

**1-855-434-5224**

**HOMEDEPOT.COM**

Conserve este manual para uso futuro.