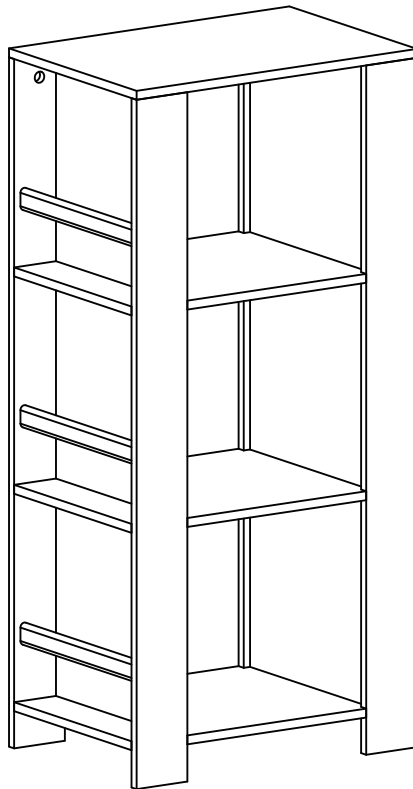




## ASSEMBLY INSTRUCTIONS



### RiverRidge® Book Nook Kids Cubby Storage Tower with Bookshelves

ITEM #: 02-161 White

#### **ADULT ASSEMBLY REQUIRED**

This product requires assembly by an adult because of small parts. Care should be taken in unpacking and assembling this item to keep small parts away from children. During assembly children should be kept away from the product due to possible risk of injury.

#### **WARNING SEE FULL WARNING ON PAGE 2**

Young children can be seriously injured or killed if furniture tips over.  
Don't use this item for a TV stand or place heavy objects on top of item.  
Always use angle-braces or anchors to secure furniture to the wall.

This product is suitable for children 3 years and older.

**THIS STORAGE TOWER WILL HOLD UP TO 20 POUNDS PER CUBBY AND HAS A TOP SHELF CAPACITY OF 30 POUNDS OR A TOTAL OF 90 POUNDS. DO NOT LOAD EACH CUBBY WITH MORE THAN 20 POUNDS. IF OVERLOADED WITH MORE THAN 20 POUNDS PER CUBBY OR 30 POUNDS ON THE TOP SHELF, THIS MAY CAUSE DAMAGE TO THE TOWER AND MAY CAUSE SERIOUS INJURY OR DEATH.**

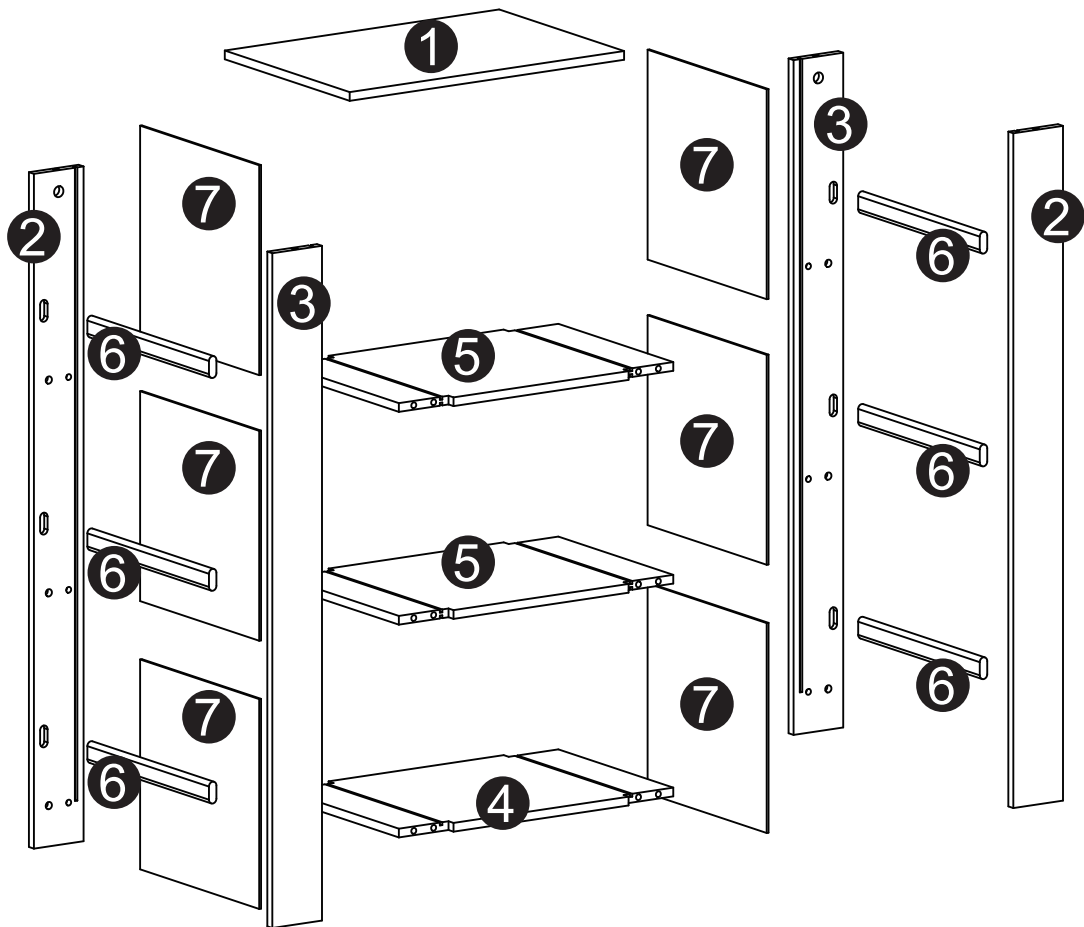


# **WARNING**

**SERIOUS OR FATAL INJURIES CAN OCCUR FROM FURNITURE TIP-OVER. TO HELP PREVENT TIP-OVER:**

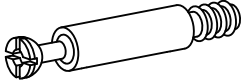

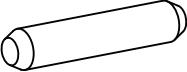

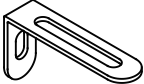

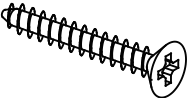
- **Always use tip over restraints and/or wall anchors to secure furniture to the wall**
- **Place heaviest items in the lowest drawers/bins or shelves**
- **Do not set TV's or other heavy objects on the top of this product**
- **Never allow children to climb or hang on to the drawers/bins, doors or shelves of furniture**
- **Never open more than one drawer at a time or defeat or remove any drawer interlock system**

# PARTS LIST



NO	QTY	DESCRIPTION
1	1PC	Top Board
2	2PCS	Left & Right Support Panel
3	2PCS	Left & Right Support Panel
4	1PC	Bottom Board
5	2PCS	Shelf
6	6PCS	Cross Bar
7	6PCS	Side Panel

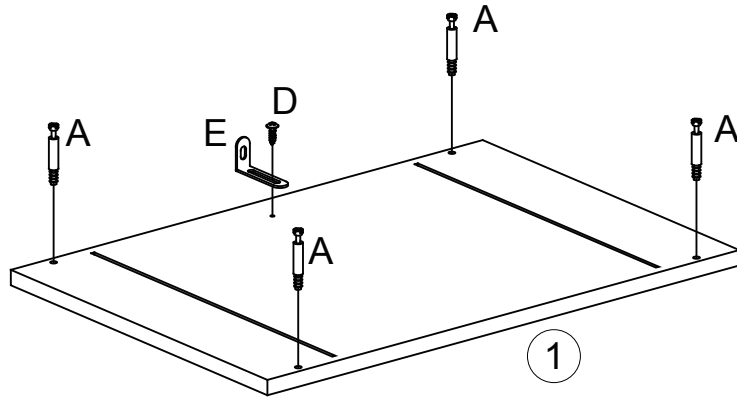
# PARTS LIST

NO	PARTS	QTY	DESCRIPTION
A		16PCS	Cam Bolt
B		16PCS	Cam Lock
C		12PCS	Wood Dowel
D		1PC	Screw (4x10mm)
E		1PC	Adjustable Anchor Bracket
F		1PC	Plastic Anchor
G		1PC	Screw (4x30mm)

**TOOLS NEEDED FOR ASSEMBLY: FLAT & PHILLIPS SCREWDRIVER (NOT INCLUDED)  
THE USE OF A POWER SCREWDRIVER IS NOT RECOMMENDED FOR ASSEMBLY  
DO NOT USE ITEM IF ANY PARTS ARE MISSING OR DAMAGED**

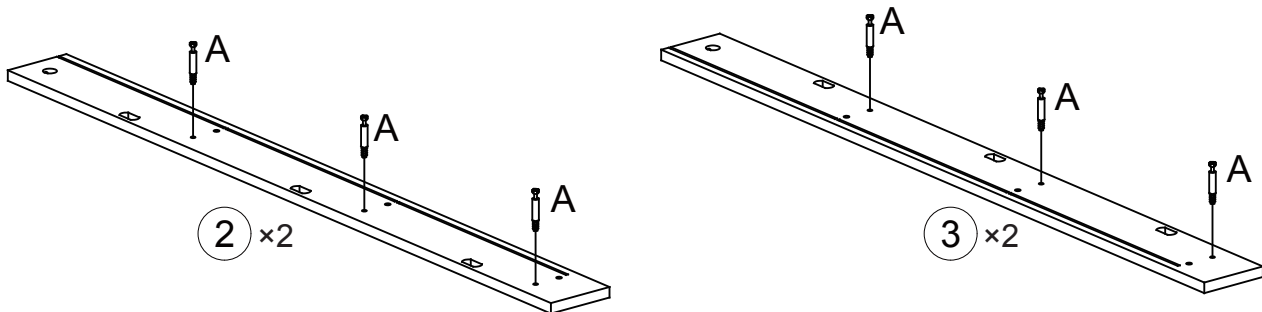
To order replacement parts at no cost to you, email [customer.service@ssi-rr.com](mailto:customer.service@ssi-rr.com), call 1-(844)-223-5201 or order parts online at [www.riverridgehome.com](http://www.riverridgehome.com). Only valid in the United States. If purchased outside of the United States, please contact retailer where purchased.

## STEP 1



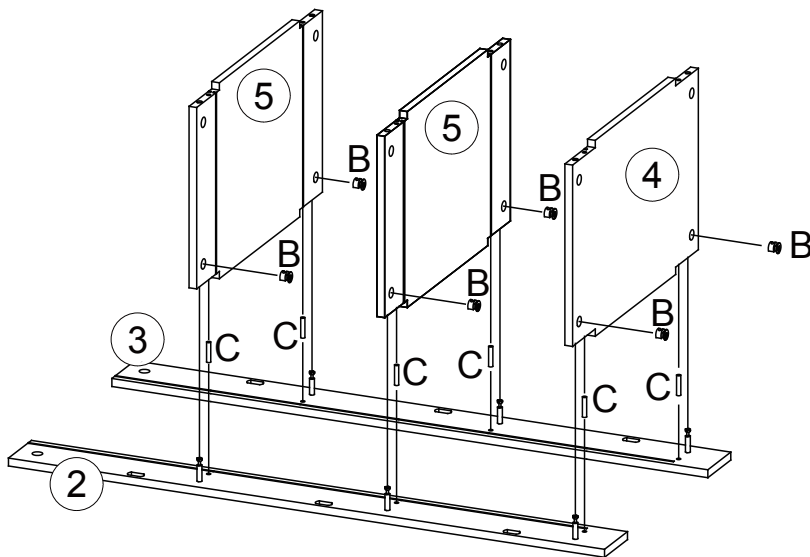
1. Screw 4 cam bolts (A) into cam bolt holes on top board (1).
2. Attach adjustable anchor bracket (E) to top board (1) by inserting 1 screw (D) through hole on adjustable anchor bracket (E,) then tighten to top board (1).

## STEP 2



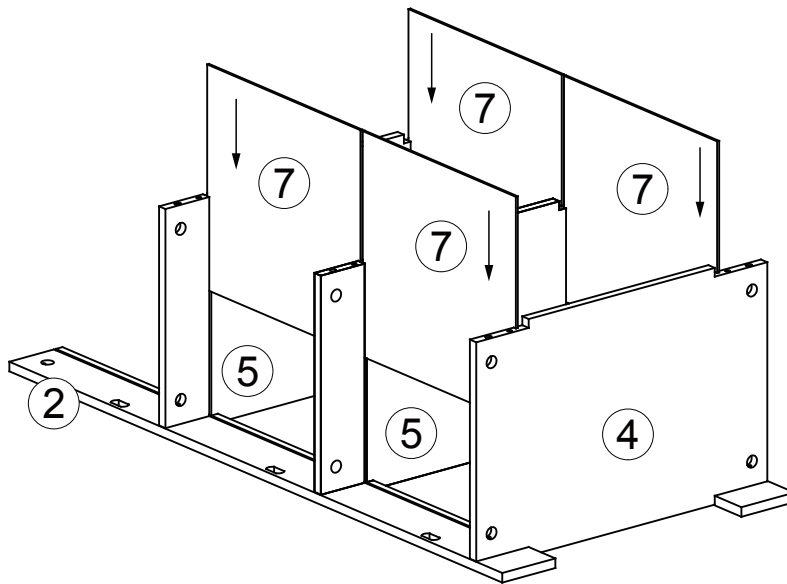
1. Screw 3 cam bolts (A) into cam bolt holes on left support panel (2).
2. Screw 3 cam bolts (A) into cam bolt holes on right support panel (3).
3. Repeat above steps for another left support panel (2) and right support panel (3).

## STEP 3



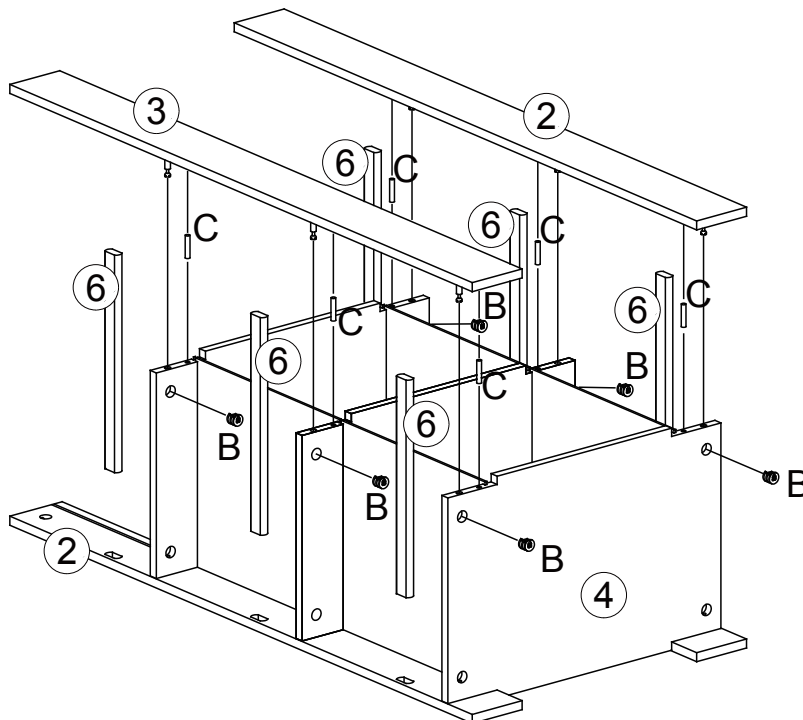
1. Insert 6 wood dowels (C) into wood dowel holes on left support panel (2) and right support panel (3).
2. Attach bottom board (4) and two shelves (5) to left support panel (2) and right support panel (3) by inserting wood dowels (C) into wood dowel holes and inserting cam bolts (A) into cam lock holes on bottom board (4) and shelves (5).
3. Insert 6 cam locks (B) into cam lock holes on bottom board (4) and shelves (5), then rotate clockwise to secure cam bolts (A) in place.

## STEP 4



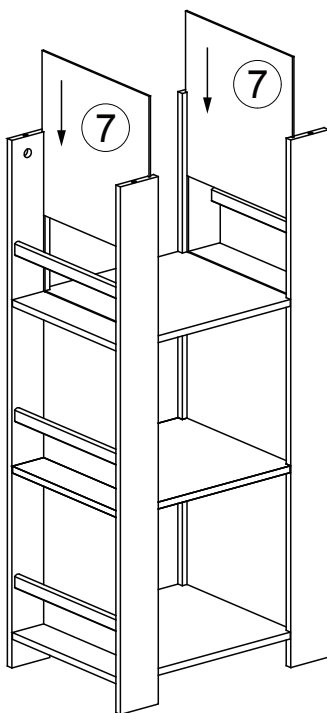
1. Slide 4 side panels (7) into grooves on bottom board (4), shelves (5), left side panel (2) and right side panel (3).

## STEP 5



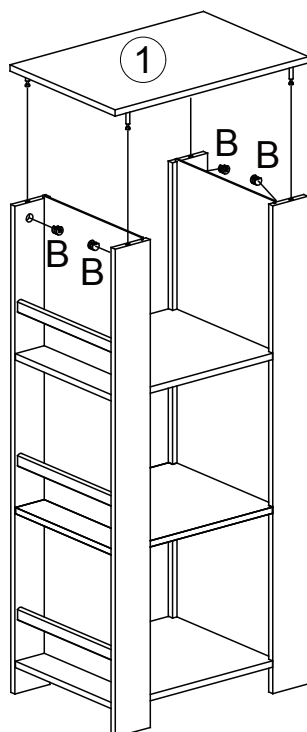
1. Insert 6 wood dowels (C) into wood dowel holes on another left support panel (2) and right support panel (3).
2. Insert 6 cross bars (6) into slots on left support panel (2) and right support panel (3).
3. Attach other left support panel (2) and right support panel (3) to bottom board (4) and shelf (5) by inserting wood dowels (C) into wood dowel holes and inserting cam bolts (A) into cam lock holes on bottom board (4) and shelves (5). Make sure cross bars (6) slide into slots on other left support panel (2) and right support panel (3).
4. Insert 6 cam locks (B) into cam lock holes on bottom board (4) and shelves (5), then rotate clockwise to secure cam bolts (A) in place.

## STEP 6



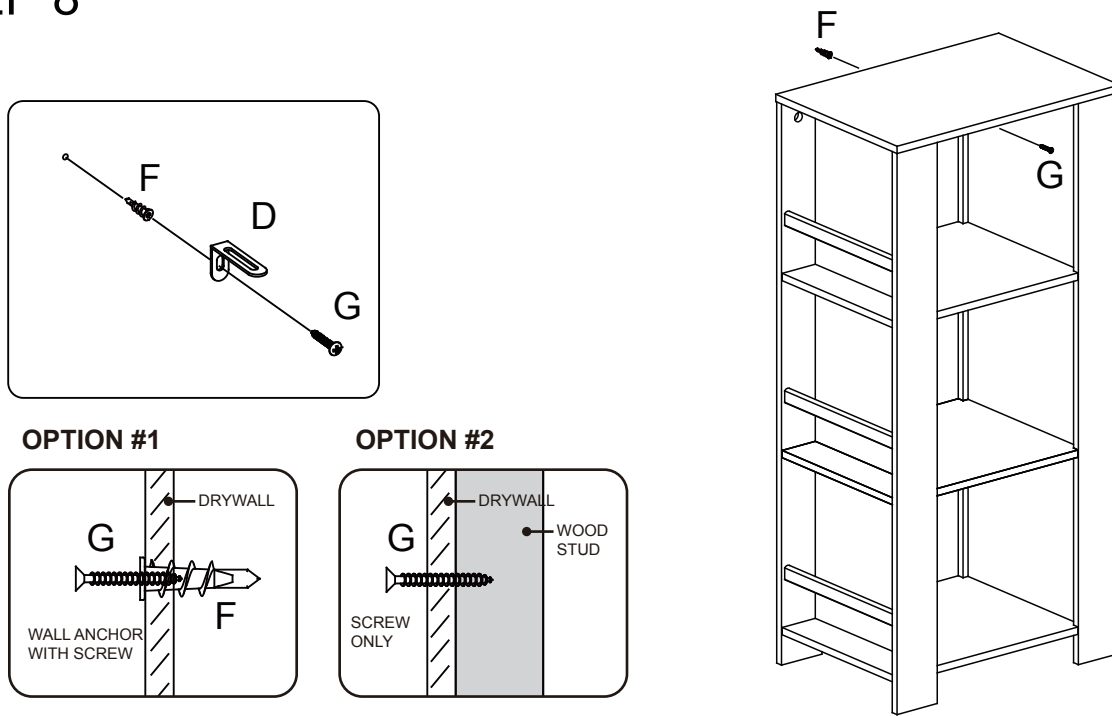
1. Slide 2 side panels (7) into grooves on left support panels (2) and right support panels (3).

## STEP 7



1. Attach top board (1) to left support panels (2) and right support panels (3) by inserting cam bolts (A) into cam lock holes on left support panels (2) and right support panels (3).
2. Insert 4 cam locks (B) into cam lock holes on left support panels (2) and right support panels (3), then rotate clockwise to secure cam bolts (A) in place.

## STEP 8



### Option #1: Securing to Drywall

1. Position storage tower and bracket (D) against wall in desired location. Using a pencil, make a small mark on wall through hole on bracket (D). Move tower away from wall and screw 1 plastic anchor (F) into wall on pencil mark.
2. Place tower against wall, insert 1 screw (G) through hole on bracket (D), then tighten to plastic anchor (F).

### Option #2: Securing to Drywall and Wood Stud

1. Position storage tower and bracket (D) against wall in desired location. Insert 1 screw (G) through hole on bracket (D), then tighten through drywall and into wood stud.

\*Tip: Anchor bracket (D) can be adjusted to correct distance from wall to cabinet as needed. Once adjusted, be sure to re-tighten bracket inside cabinet for stability.

ATTENTION ADULTS: Cabinet should be checked periodically for damage or loose screws/parts. Take appropriate action necessary to correct hazards such as tightening of screws and taking any damaged parts away from children.

**WARNING**  Please make sure your item is secured to the wall, per assembly instructions.

#### CARE INSTRUCTIONS:

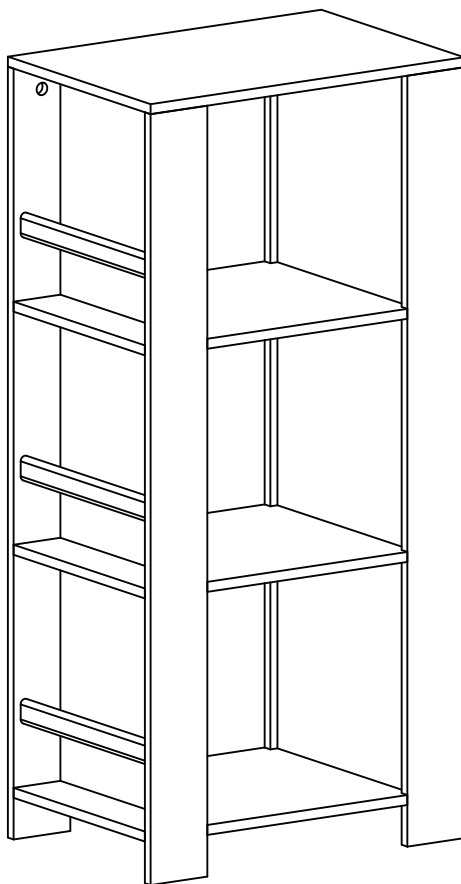
Wipe clean with a water dampened cloth. Wipe dry with clean cloth.

#### IMPORTANT:

**Keep assembly instructions for future reference.**



# Enjoy Your New RiverRidge® Storage Tower!



Thank you for purchasing this RiverRidge® Home item. We hope you enjoy it and consider purchasing other RiverRidge® items.

To order replacement parts at no cost to you, email [customer.service@ssi-rr.com](mailto:customer.service@ssi-rr.com), call 1-(844)-223-5201 or order parts online at [www.riverridgehome.com](http://www.riverridgehome.com). Only valid in the United States. If purchased outside of the United States, please contact retailer where purchased.

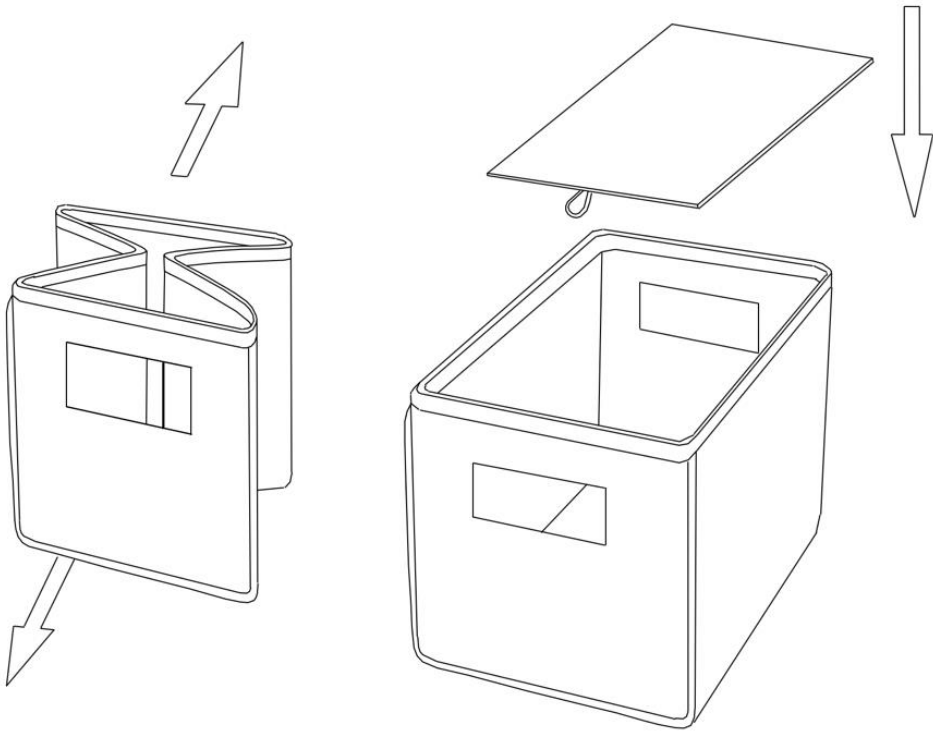


RiverRidge® is a registered trademark of Sourcing Solutions, Inc., Hudson, WI 54016

**Distributed by:**  
Sourcing Solutions, Inc.  
Hudson, WI 54016  
**Made in China**

# RiverRidge® Kids Two-Piece Folding Storage Bin

**ADULT ASSEMBLY REQUIRED**



Thank you for purchasing this RiverRidge® Home item. We hope you enjoy it and consider purchasing other RiverRidge® items.

To order replacement parts at no cost to you, email [customer.service@ssi-rr.com](mailto:customer.service@ssi-rr.com), call 1-(844)-223-5201 or order parts online at [www.riverridgehome.com](http://www.riverridgehome.com). Only valid in the United States. For purchases outside of the United States, please contact retailer where purchased.



RiverRidge® is a registered trademark of Sourcing Solutions, Inc., Hudson, WI 54016