

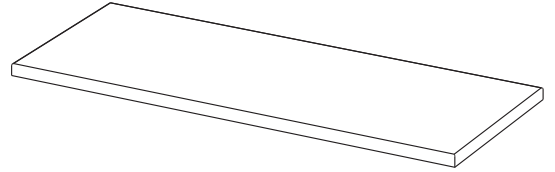
# Stainless Steel Top

## IMPORTANT

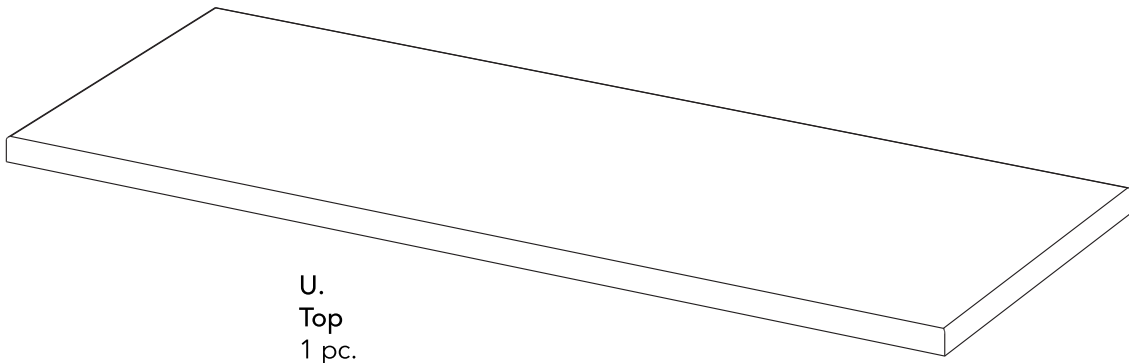
Carefully remove all the parts from the carton and place them individually on a soft cloth to prevent scratches or other damage.

Carefully and strictly follow these assembly instructions to ensure a completed product as designed.

Do not use power tools above 8 volts to assemble.



## Part List



U.  
Top  
1 pc.

## Care Instructions

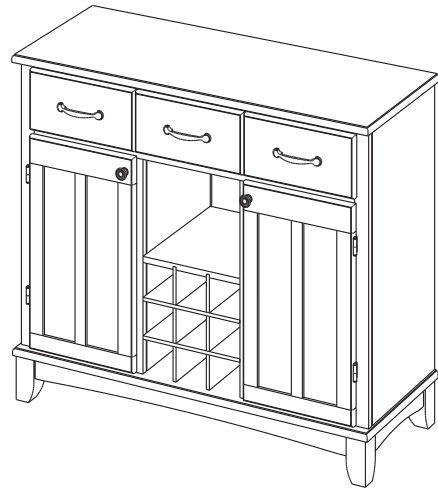
This stainless steel top is made from high grade stainless steel on a strong wood product base construction.

To avoid scratching the top during assembly, do not remove the top from this carton until the body has been assembled and is ready for the top to be installed. After removing the top from this carton place it on a soft cloth.

This stainless steel top is ideal as a surface for food preparation but cannot be used as a cutting or chopping board. Do not use knives or any sharp objects directly on the top.

If scratched the following may improve the appearance of the top:  
Apply talcum powder or flour on the scratched area and rub with very fine steel wool in the same direction as the top's hairline scratch pattern.

**For assembly see instructions in 5100 Buffet carton.**





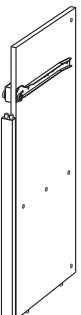
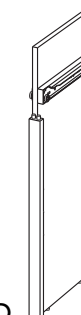


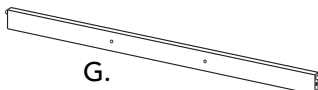


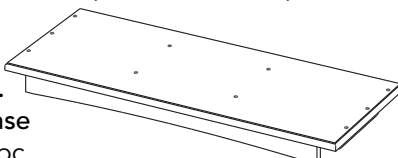
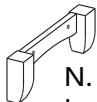



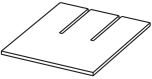
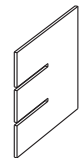
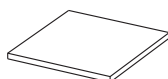
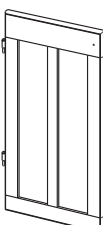
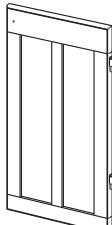
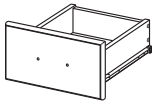
**IMPORTANT**

Carefully remove all the parts from the carton and place them individually on a soft cloth to prevent scratches or other damage.















Carefully and strictly follow these assembly instructions to ensure a completed product as designed.

Do not use power tools above 8 volts to assemble.

**Part List**

 <b>A. Side Panel</b> 1 pc.	 <b>B. Side Panel</b> 1 pc.	 <b>C. Middle Panel</b> 1 pc.	 <b>D. Middle Panel</b> 1 pc.	 <b>E. Back Panel</b> 3 pcs.	 <b>F. Back Upright</b> 2 pcs.	 <b>G. Back Rail</b> 1 pc.
 <b>K. Front Upright</b> 2 pcs.	 <b>L. Fixed Shelf</b> 1 pc.	 <b>M. Base</b> 1 pc.	 <b>N. Leg</b> 2 pcs.	 <b>H. Back Rail</b> 1 pc.	 <b>I. Front Rail</b> 1 pc.	 <b>J. Front Rail</b> 1 pc.
 <b>O. Wine Grid</b> 2 pcs.	 <b>P. Wine Grid</b> 2 pcs.	 <b>Q. Shelf</b> 2 pcs.	 <b>R. Door</b> 1 pc.	 <b>S. Door</b> 1 pc.	 <b>T. Drawer</b> 3 pcs. Refer to later page(s) of these instructions for drawer assembly.	

**Hardware List**

 Hex Wrench 1 pc.	 M6x35 Head Cap Bolt 4 pcs. (+1 extra)	 Cam Lock 14 pcs. (+2 extra)	 Cam Lock Screw 14 pcs. (+1 extra)	 M3.5x13 Wood Screw (short) 12 pcs. (+1 extra)	 M4x25 Machine Screw 8 pcs.	 Knob 2 pcs.
 Small Hex Wrench 1 pc.	 M6x50 Head Cap Bolt (long) 8 pcs. (+1 extra)	 Cross Dowel 8 pcs. (+1 extra)	 M3.5x25 Wood Screw (long) 24 pcs. (+1 extra)	 Adjustable Pin 8 pcs. (+2 extra)	 M3.5x16 Wood Screw for Back Panel 12 pcs. (+1 extra)	 Handle 3 pcs.

**5100 Top carton is also needed for assembly.**

Tool(s) required for assembly: Phillips screwdriver, Level, Drill (8 volts or less), 3/8" Drill Bit

homestyles Customer Service: [www.homestylesfurniture.com](http://www.homestylesfurniture.com),  
[servicedesk@homestylesfurniture.com](mailto:servicedesk@homestylesfurniture.com), 888-680-7460

## Assembly Instructions 2/8

### IMPORTANT

- Use a soft cloth between these parts and the floor.
- Do not use power tools above 8 volts to assemble.
- Do not tighten all the bolts until each part is properly assembled.
- The unit must be level to work properly. Use the included adjustable levelers to level.
- Keep Hex Wrench as the bolts may need to be tightened in the future.

### STEP 1

Insert Cam Lock Screws into pre-drilled holes in Side Panels (A), (B) and Middle Panels (C), (D), then tighten. (See Figure 1)

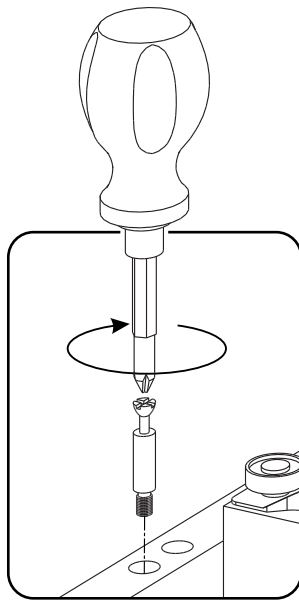
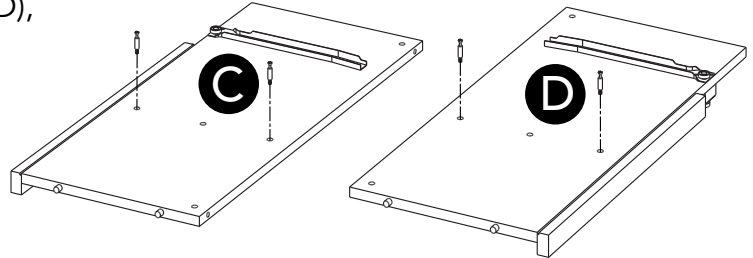
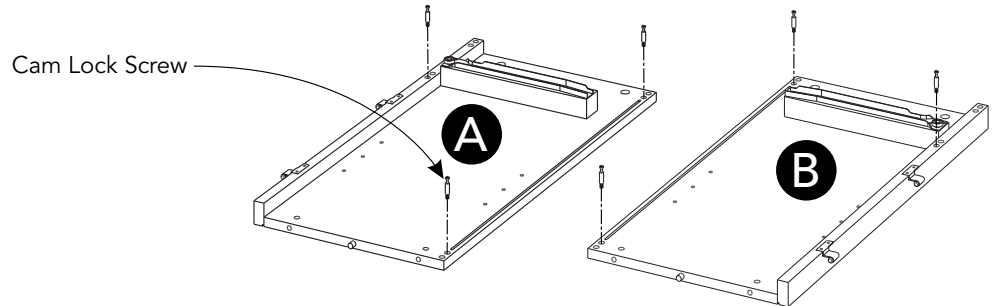


Figure 1

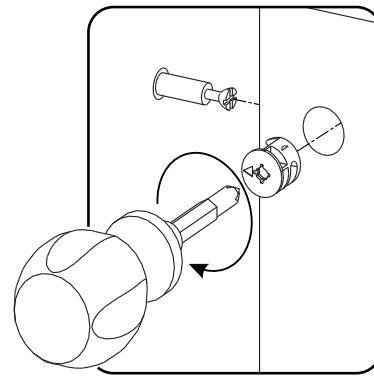
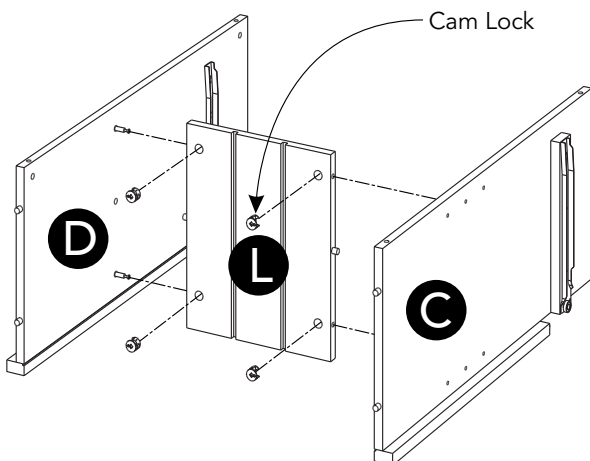


Figure 2



### STEP 2

Attach Middle Panels (C) and (D) to Fixed Shelf (L) with Cam Locks. (See Figure 2)

## Assembly Instructions 3/8

### STEP 3

Attach Back Rail (H) to unit with Cross Dowels and Head Cap Bolts (long). (See Figure 3)

Attach Back Uprights (F) to Back Rail (H).

Slide Back Panels (E) into position.

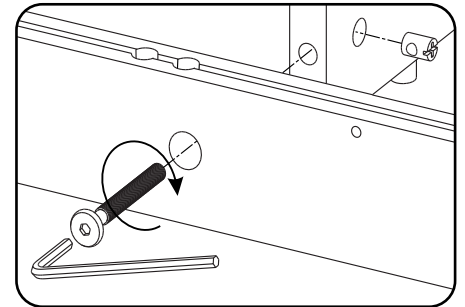
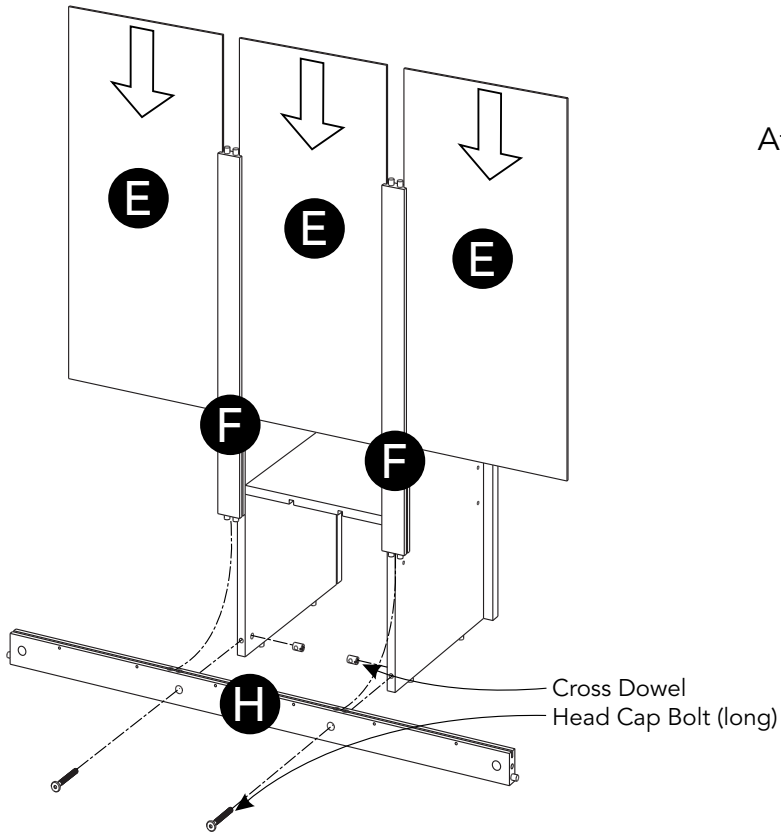
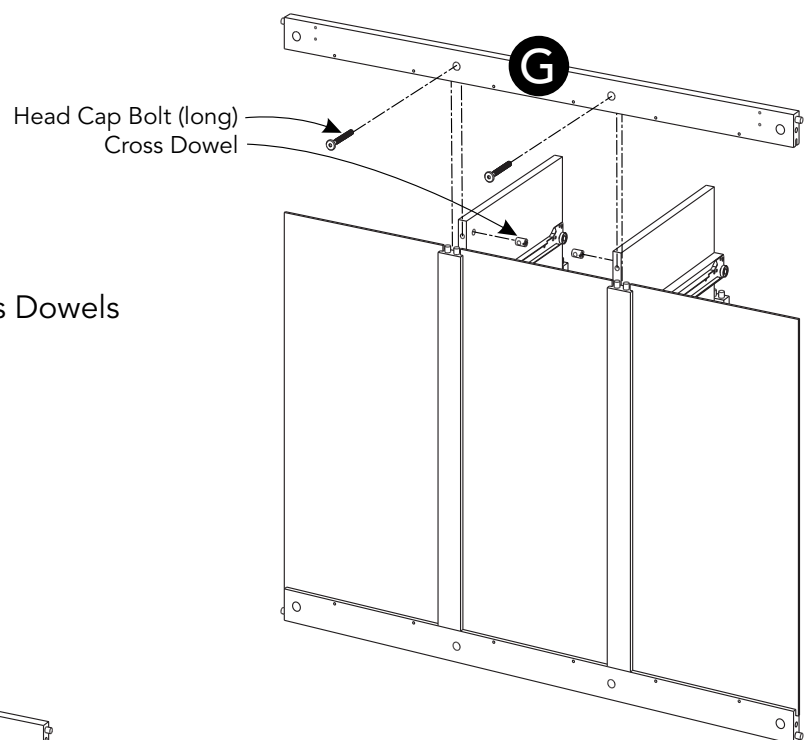
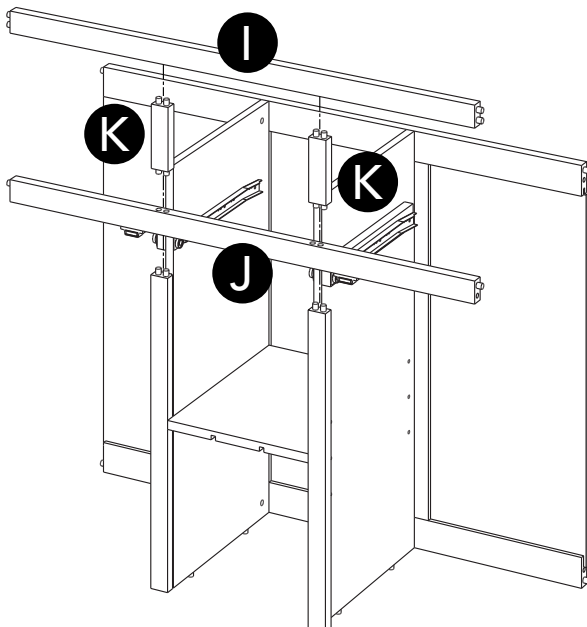


Figure 3

### STEP 4

Attach Back Rail (G) to unit with Cross Dowels and Head Cap Bolts (long).



### STEP 5

Attach Front Rail (J) to unit.

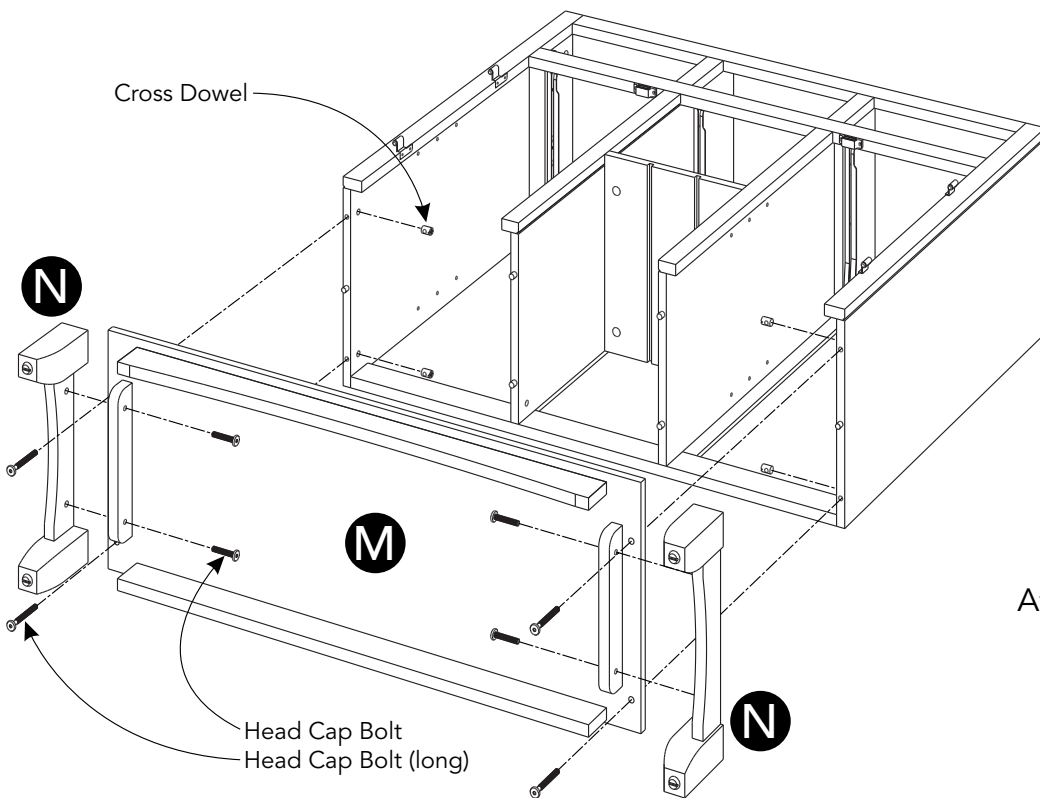
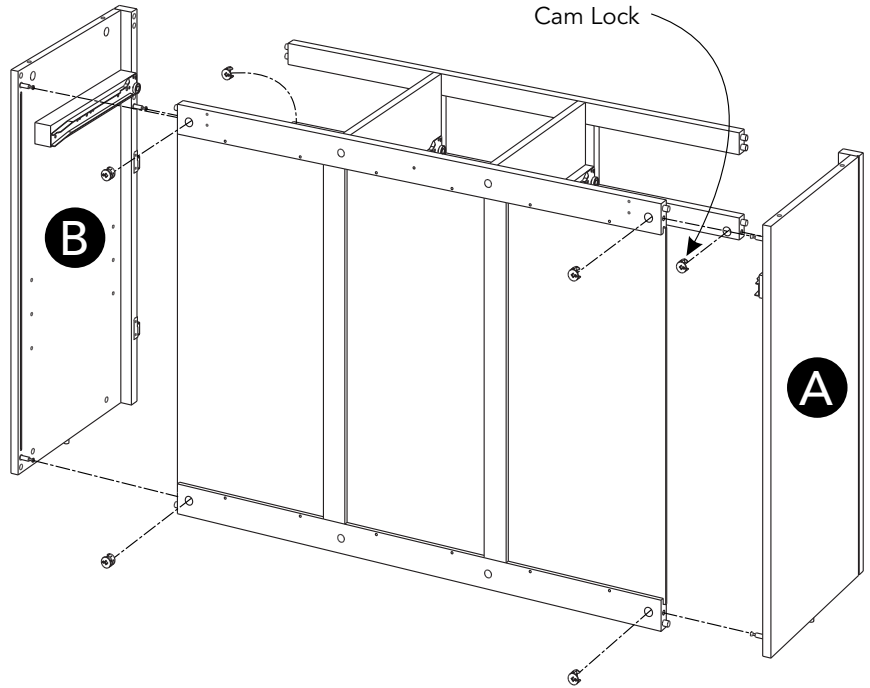
Attach Front Uprights (K) to unit.

Attach Front Rail (I) to unit.

# Assembly Instructions 4/8

## STEP 6

Attach Side Panels (A) and (B) to unit with Cam Locks.



## STEP 7

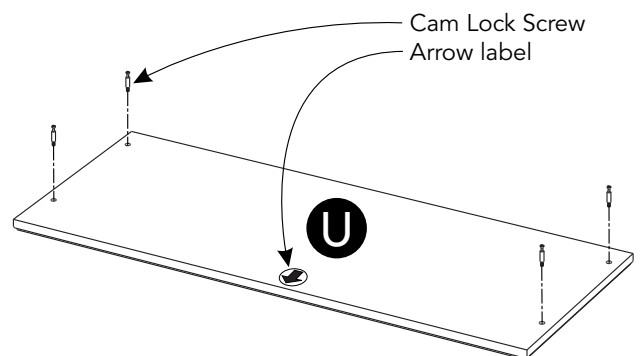
Attach Base (M) to unit with Cross Dowels and Head Cap Bolts (long).

Attach Legs (N) to Base (M) with Head Cap Bolts.

## STEP 8

Place Top (U) upside down on a soft cloth.

Insert Cam Lock Screws into pre-drilled holes in Top (U), then tighten.



## Assembly Instructions 5/8

### STEP 9

Turn unit to its upright position.

Insert Adjustable Pins into side panels and middle panels at desired level.

Place Shelves (Q) into position.

Attach Doors (R) and (S) to unit by sliding door hinges into side panel hinges. (See Figure 4)

Attach Knobs to Doors (R) and (S) with Machine Screws. (See Figure 5)

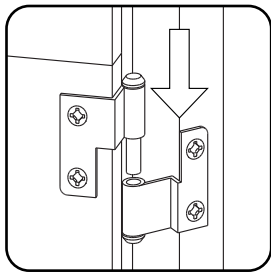
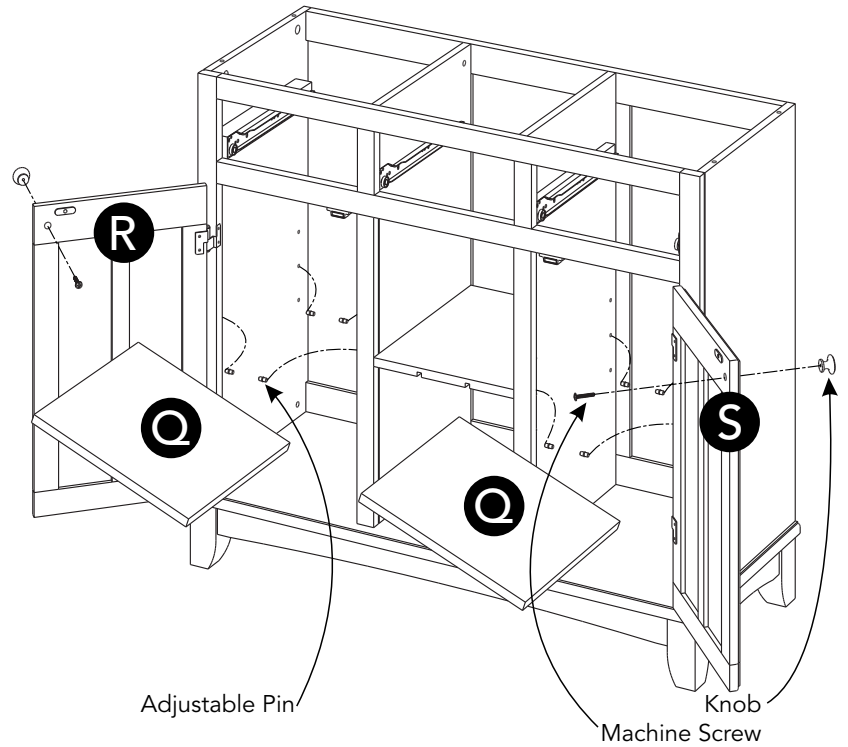


Figure 4

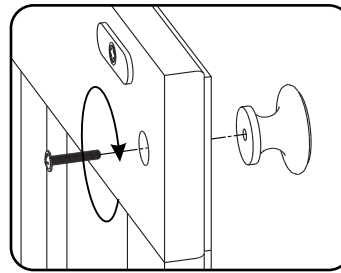
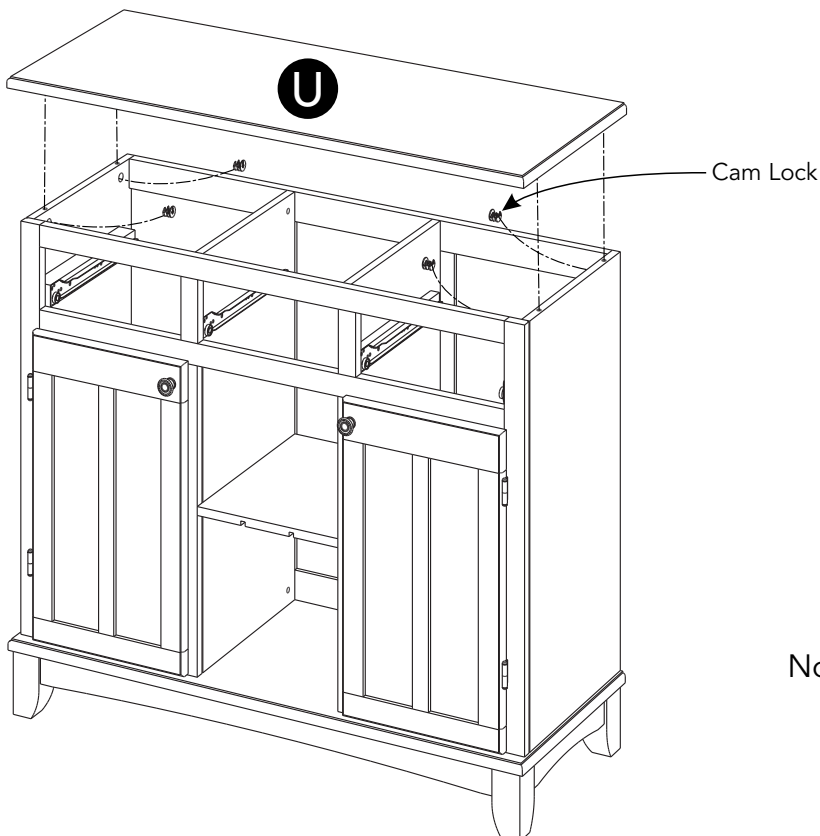


Figure 5



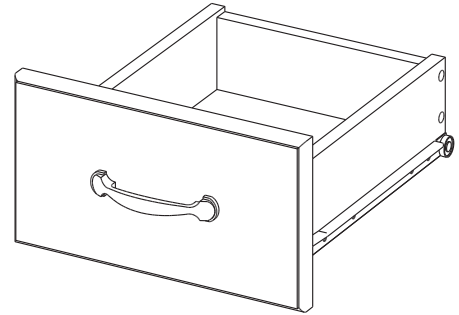
### STEP 10

Attach Top (U) to unit with Cam Locks.

Note: Arrow label indicates front of Top (U).

# Assembly Instructions 6/8

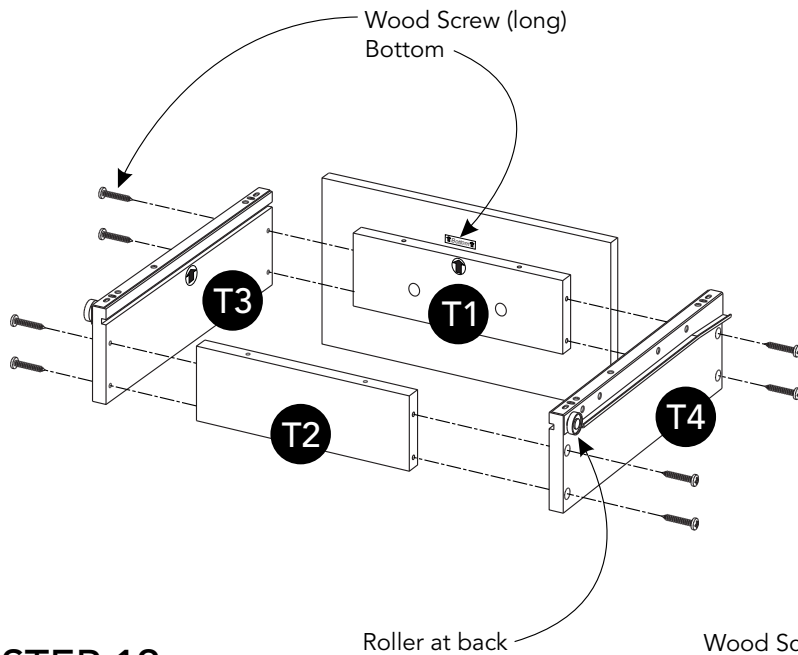
## Drawer (T)



### STEP 11

Attach Drawer Front (T1) and Drawer Back (T2) to Drawer Side (T3) with Wood Screws (long).

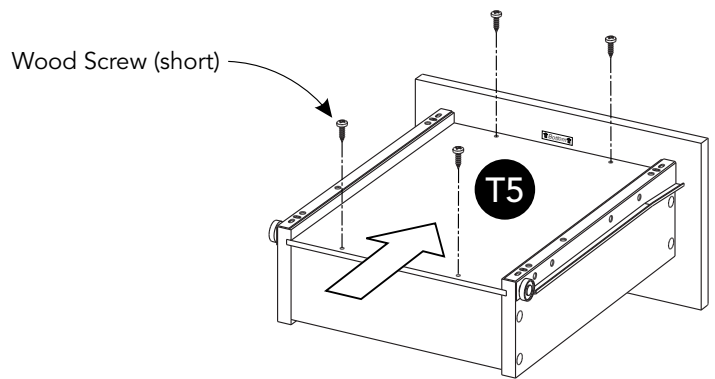
Attach Drawer Side (T4) to unit with Wood Screws (long).



### STEP 12

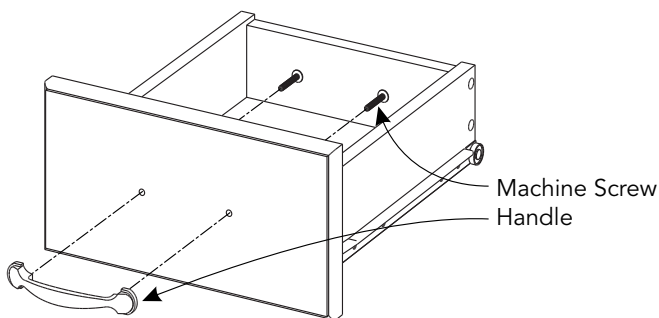
Slide Drawer Bottom (T5) into groove.

Attach Drawer Bottom (T5) to unit with Wood Screws (short).

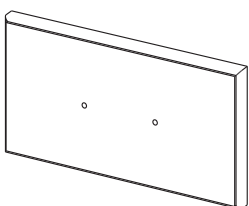


### STEP 13

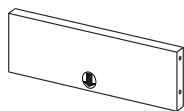
Attach Handle with Machine Screws.



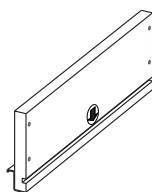
## Part List



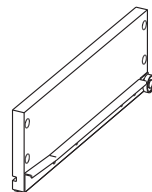
T1.  
Drawer Front  
3 pcs.



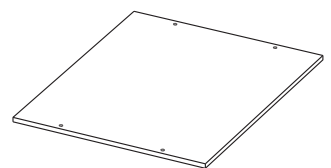
T2.  
Drawer Back  
3 pcs.



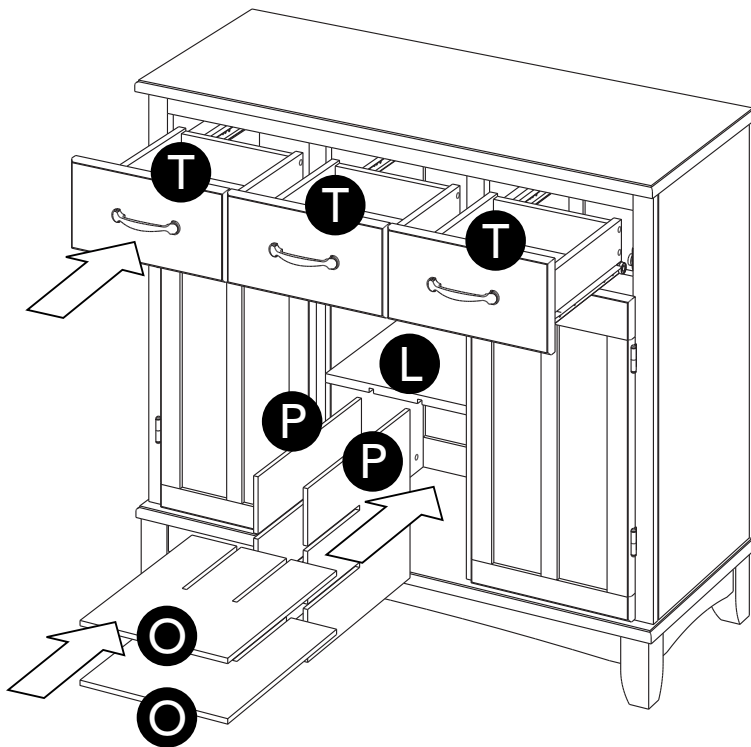
T3.  
Drawer Side  
3 pcs.



T4.  
Drawer Side  
3 pcs.



T5.  
Drawer Bottom  
3 pcs.



## STEP 14

Slide Drawers (T) into position.

Slide Wine Grids (P) into grooves in Fixed Shelf (L).

Slide Wine Grids (O) into unit.

## STEP 15

Level unit by adjusting the adjustable levelers on bottom of unit.  
(See Figure 6)

Note: Unit must be level to proceed.

Insert Wood Screws for Back Panel into pre-drilled holes in unit, then tighten.

Note: Unit must be level before tightening these screws.

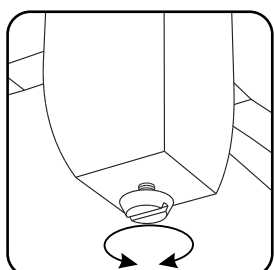
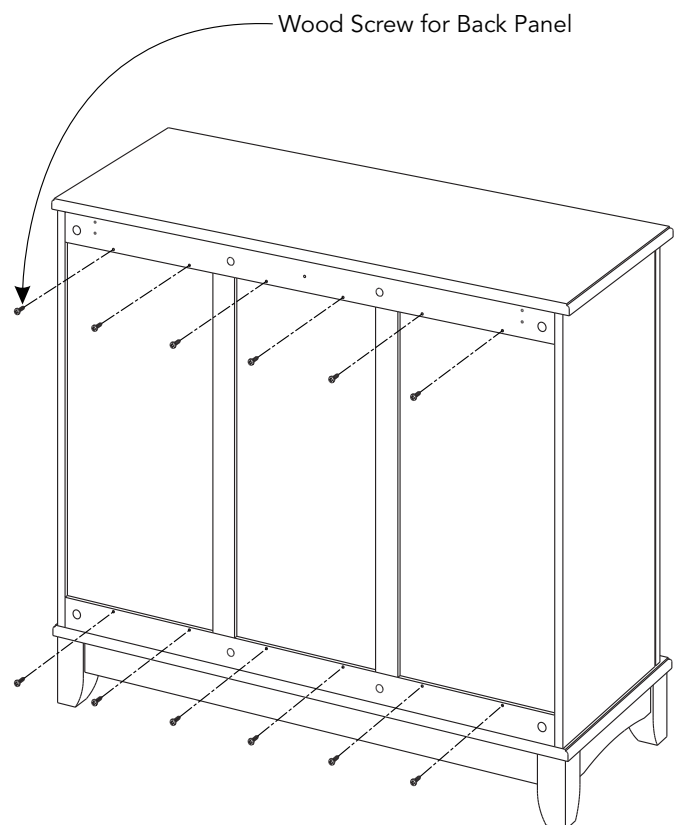


Figure 6





## Assembly Instructions 8/8

### IMPORTANT

- To help reduce the risk of the unit tipping over, the Tipover Restraint must be installed following these instructions exactly.

### STEP 16

Place unit at desired location.

Drill a 3/8" hole in wall in-line with Pre-drilled hole at top of unit.

Move unit.

Insert Anchor into the wall hole and attach Bracket with Wall Screw.

Attach Bracket at pre-drilled hole at top of unit with Wood Screw.

Move unit back into place.

Slide Tipover Restraint through Bracket on wall and Bracket on unit.  
(See Figure 7)

Put tie end of Tipover Restraint into lock end of Tipover Restraint and pull until tight.

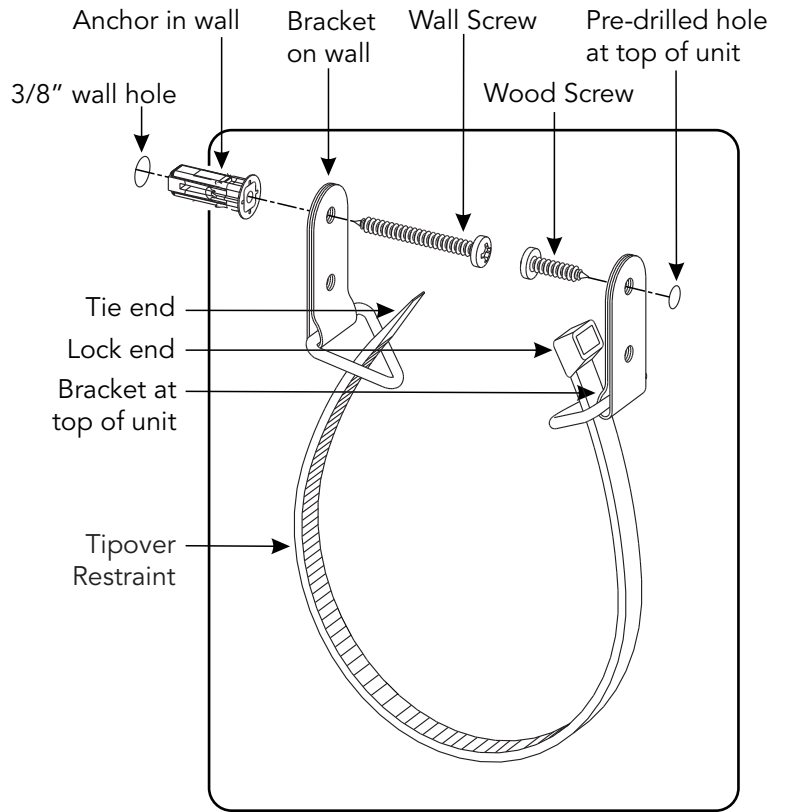
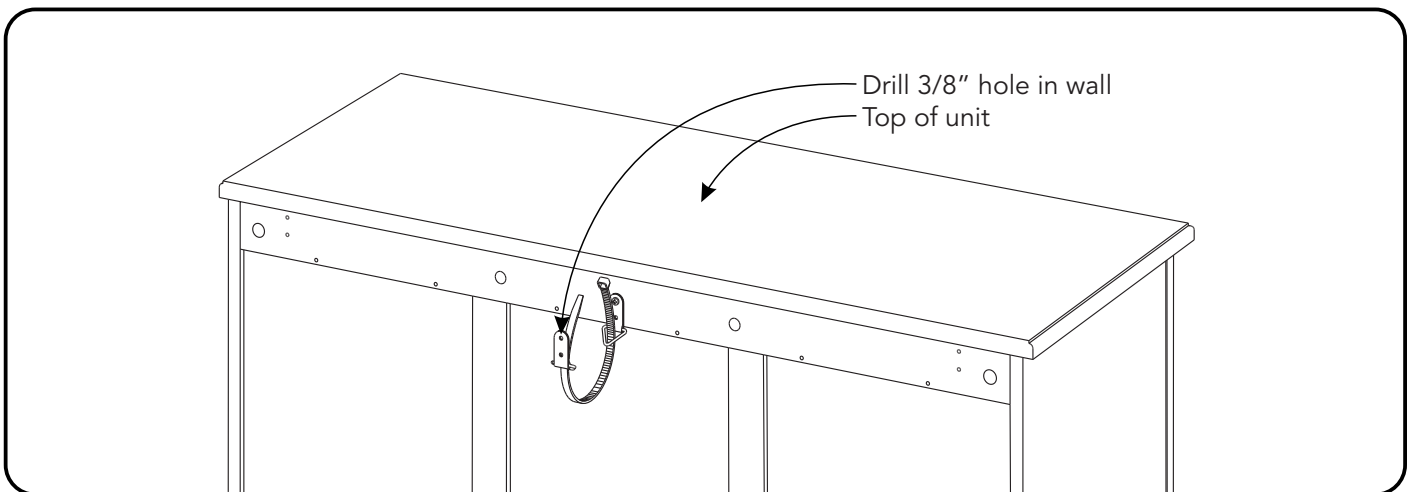


Figure 7



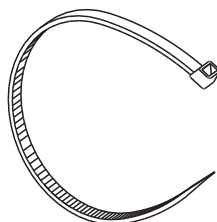
### Hardware List



Anchor  
1 pc. (+1 extra)



Bracket  
2 pcs. (+1 extra)



Tipover Restraint  
1 pc. (+1 extra)



M3.5x40  
Wall Screw  
1 pc. (+1 extra)



M3.5x16  
Wood Screw  
1 pc. (+1 extra)

# CARE INSTRUCTIONS

## NEVER

allow liquids to remain on furniture.  
Absorption causes parts to warp  
and split and finishes to delaminate.

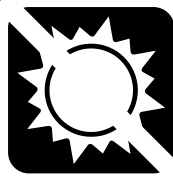
## NEVER

use glass cleaners on  
finished furniture. Ammonia  
chemically attacks the finish.



Do not use power tools  
above 8 volts to assemble.

**PREVENT  
CRACKING**



Do not place  
in direct sunlight.

**PREVENT  
FADING**



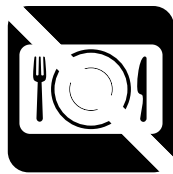
Do not write  
directly on surface.

**PREVENT  
MARKING**



Do not place hot  
objects on surface.

**PREVENT  
FINISH DAMAGE**



Do not use rubber  
based placemats.

**PREVENT  
DISCOLORING**

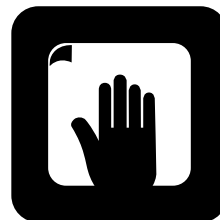


Do not use commercial  
waxes and polishes.

**PREVENT  
YELLOWING**

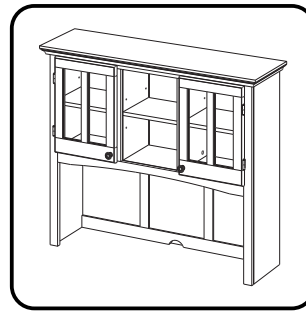
## CLEAN

with a soft cloth moistened  
in lukewarm soap and water.  
Buff with a dry clean cloth.

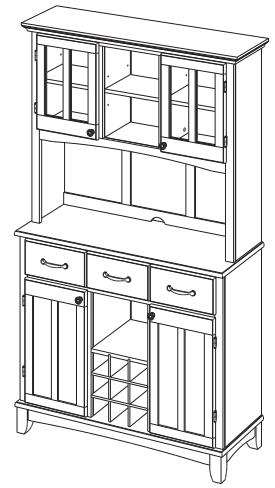


**homestyles** will provide replacements free of charge for missing or damaged parts within 30 days of purchase. Digital images of the defective parts may be required. If the product was not purchased from an authorized retailer, **homestyles** is under no obligation to provide replacement parts. Parts are not available for fully assembled items nor are parts available for sale. Replacements for missing or damaged parts may be requested via contact info below.

**homestyles** Customer Service: [www.homestylesfurniture.com](http://www.homestylesfurniture.com),  
[servicedesk@homestylesfurniture.com](mailto:servicedesk@homestylesfurniture.com), 888-680-7460



Hutch



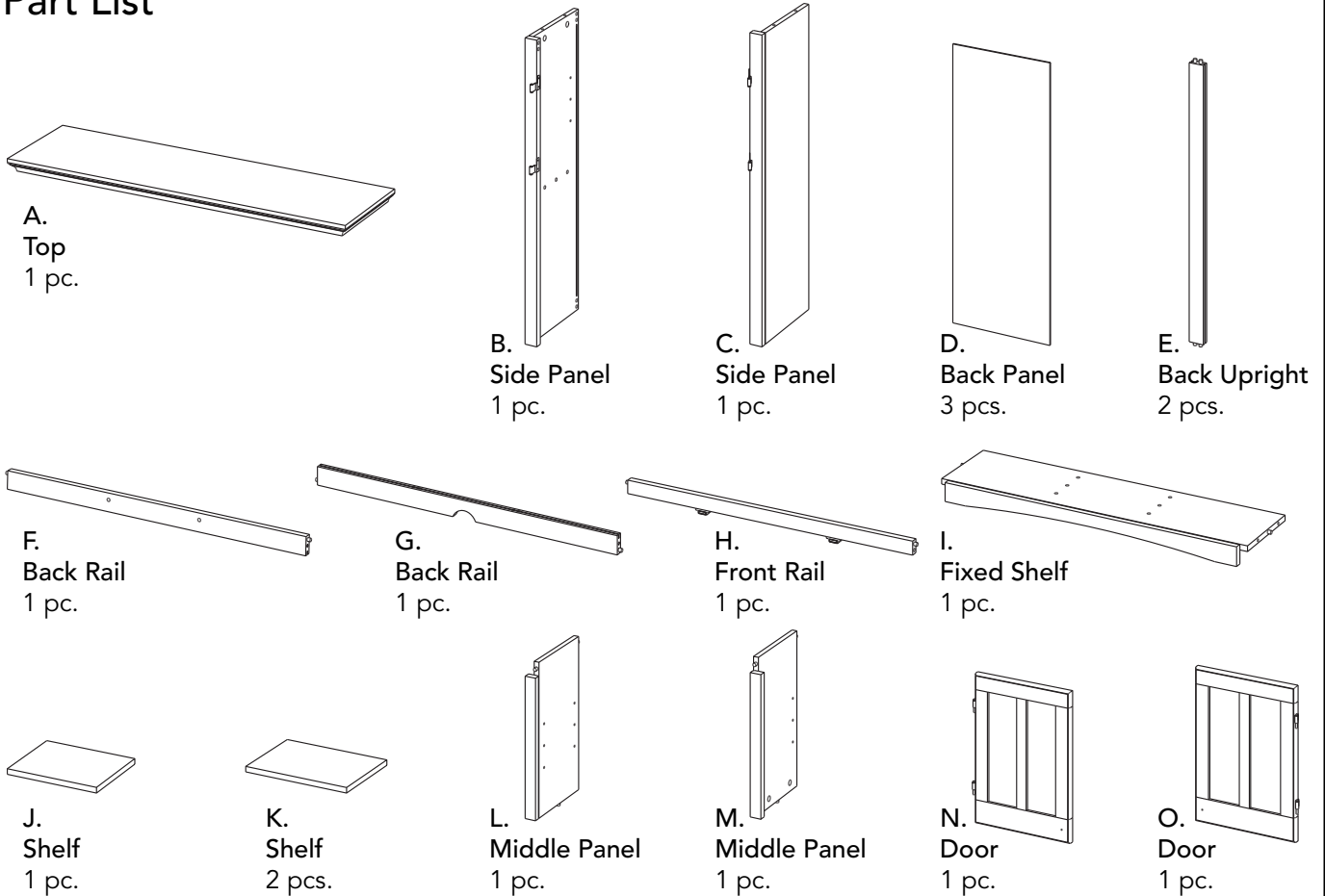
**IMPORTANT**

Carefully remove all the parts from the carton and place them individually on a soft cloth to prevent scratches or other damage.


Carefully and strictly follow these assembly instructions to ensure a completed product as designed.


Do not use power tools above 8 volts to assemble.

**Part List**

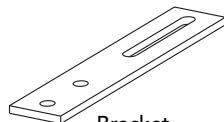



**Hardware List**


  
Cam Lock Screw  
18 pcs. (+1 extra)


  
M3.5x16  
Wood Screw for Back Panel  
12 pcs. (+1 extra)


  
Knob  
2 pcs.

  
Bracket  
2 pcs.

  
Cam Lock  
18 pcs. (+2 extra)

  
Adjustable Pin  
12 pcs. (+1 extra)

  
M4x25  
Machine Screw  
2 pcs.

  
M4x13  
Wood Screw for Bracket  
8 pcs. (+1 extra)

Tool(s) required for assembly: Phillips screwdriver, Level, Drill (8 volts or less), 3/8" Drill Bit

## Assembly Instructions 2/6

### IMPORTANT

- Use a soft cloth between these parts and the floor.
- Do not use power tools above 8 volts to assemble.
- Do not tighten all the screws until each part is properly assembled.

### STEP 1

Insert Cam Lock Screws into pre-drilled holes in Top (A), Side Panels (B), (C) and Fixed Shelf (I), then tighten. (See Figure 1)

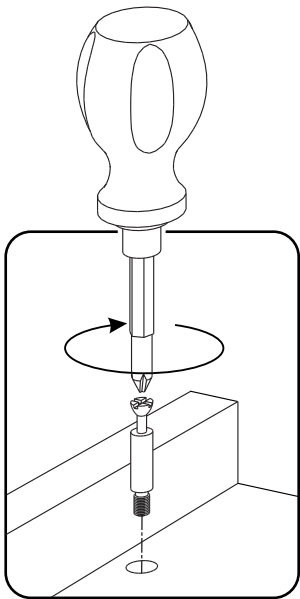


Figure 1

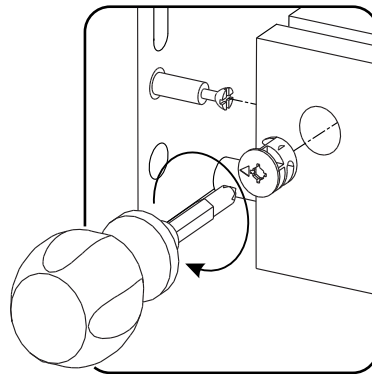
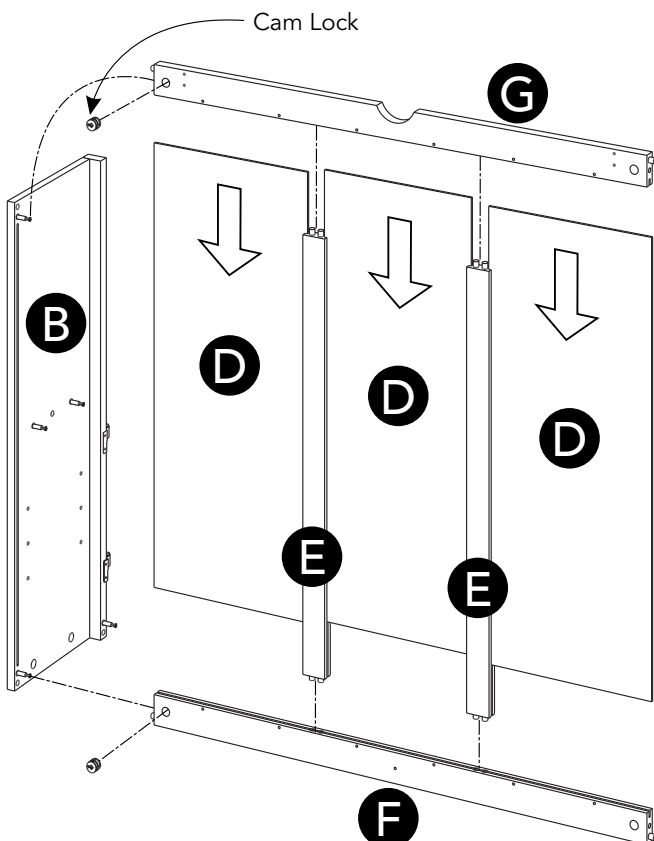
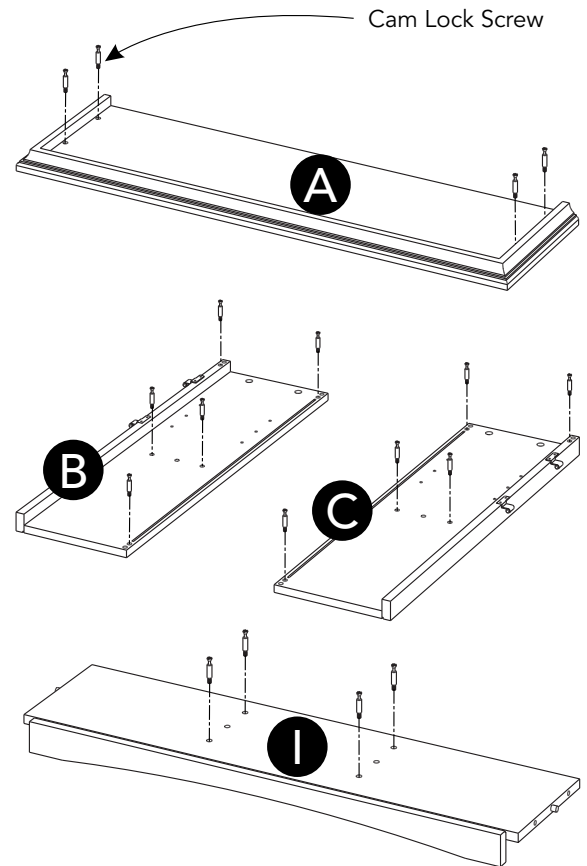


Figure 2



### STEP 2

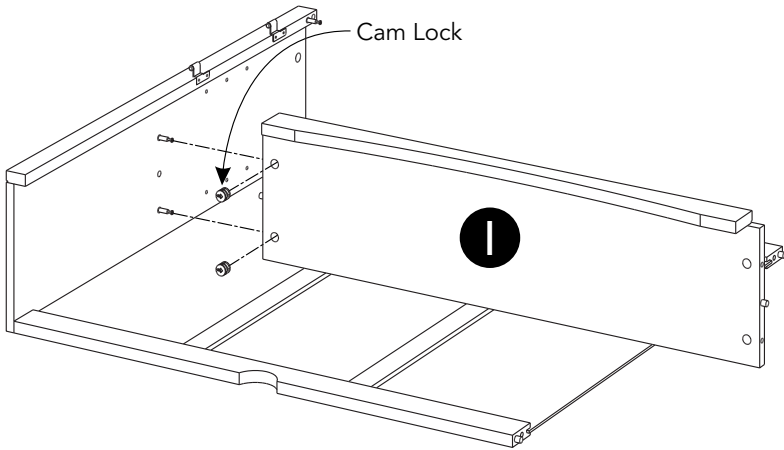
Attach Back Rail (F) to Side Panel (B) with Cam Lock. (See Figure 2)

Attach Back Uprights (E) to Back Rail (F).

Slide Back Panels (D) into position.

Attach Back Rail (G) to unit with Cam Lock.

# Assembly Instructions 3/6



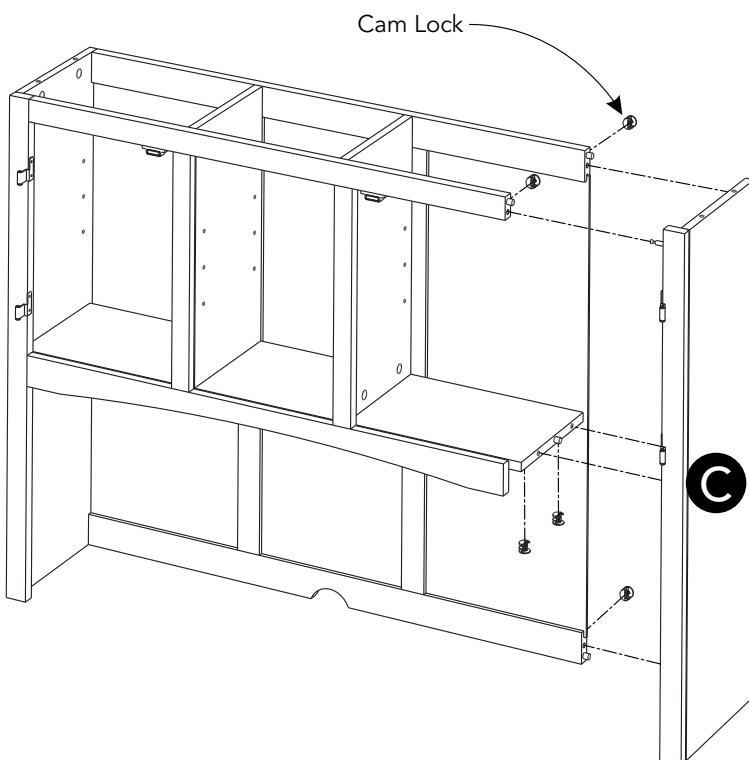
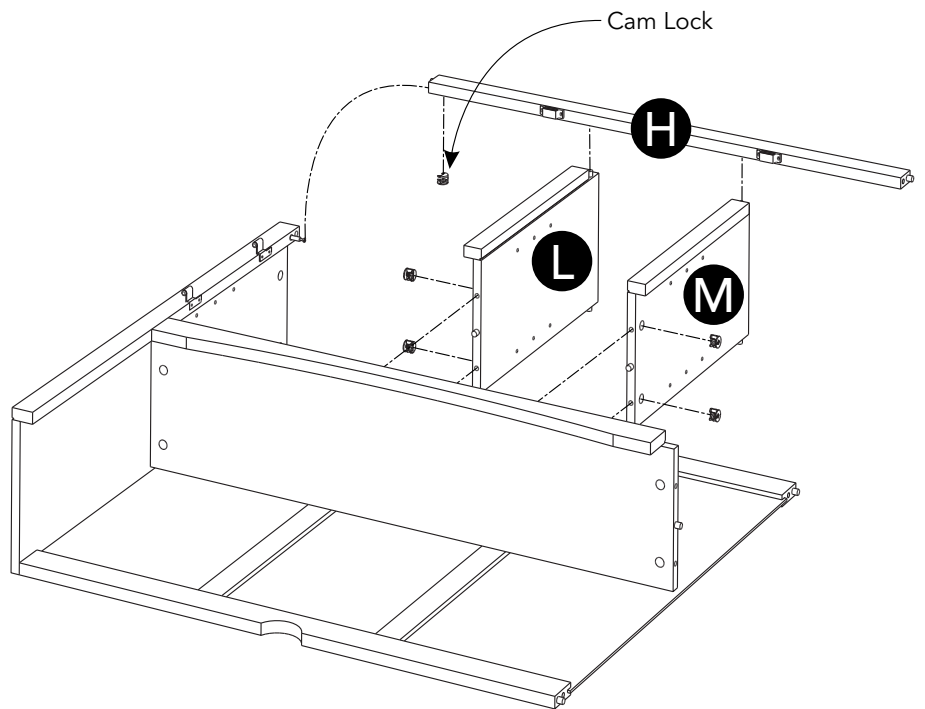
## STEP 3

Attach Fixed Shelf (I) to unit with Cam Locks.

## STEP 4

Attach Middle Panels (L) and (M) to unit with Cam Locks.

Attach Front Rail (H) to unit with Cam Lock.



## STEP 5

Attach Side Panel (C) to unit with Cam Locks.

# Assembly Instructions 4/6

## STEP 6

Insert Adjustable Pins into side panels and middle panels at desired level.

Place Shelves (J) and (K) into position.

Attach Doors (N) and (O) to unit by sliding door hinges into side panel hinges. (See Figure 3)

Attach Knobs to Doors (N) and (O) with Machine Screws. (See Figure 4)

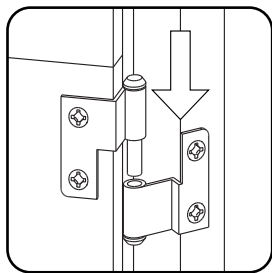
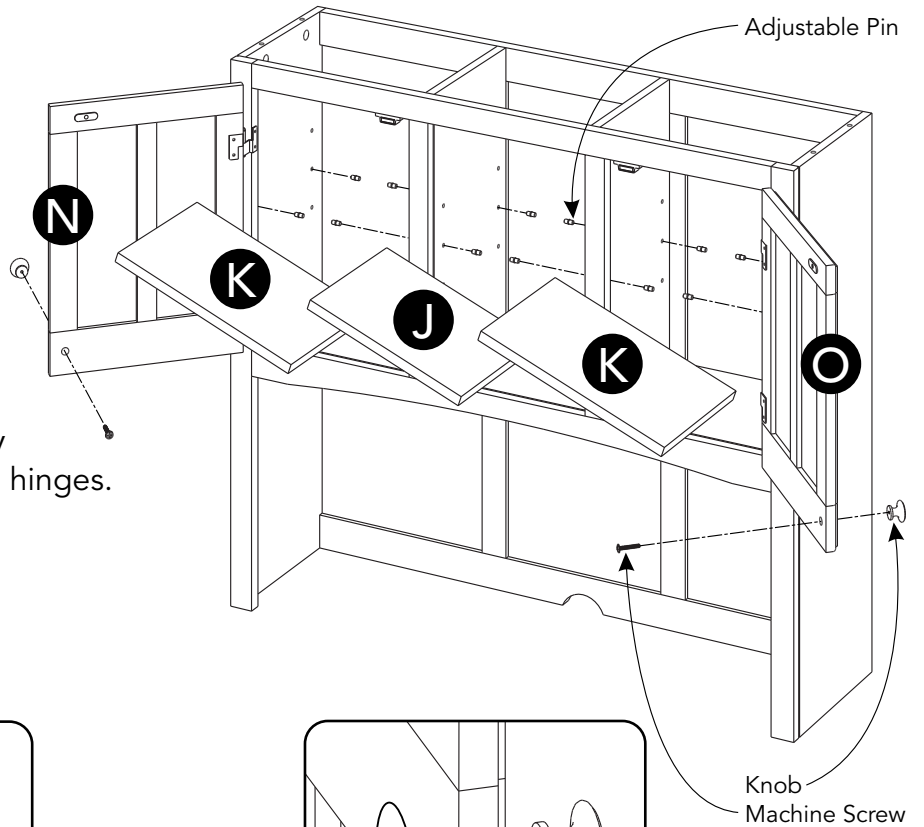


Figure 3

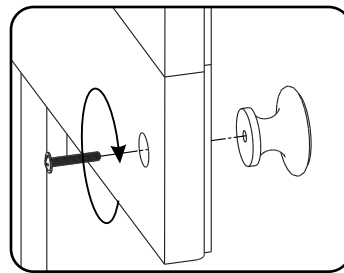
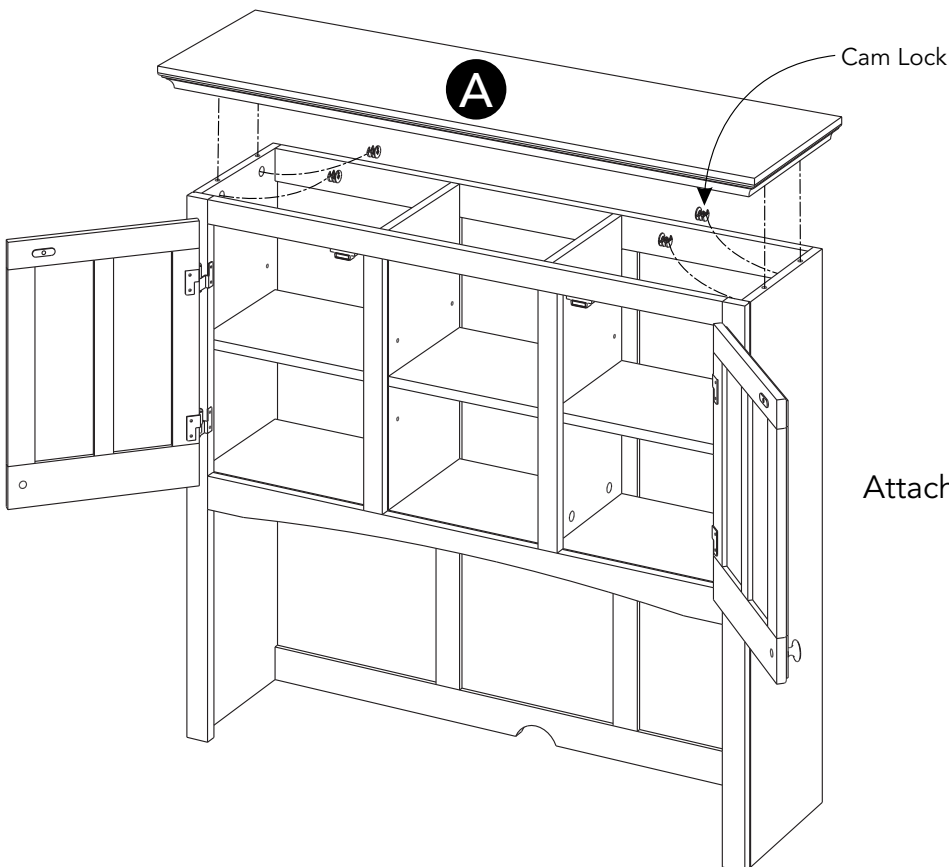


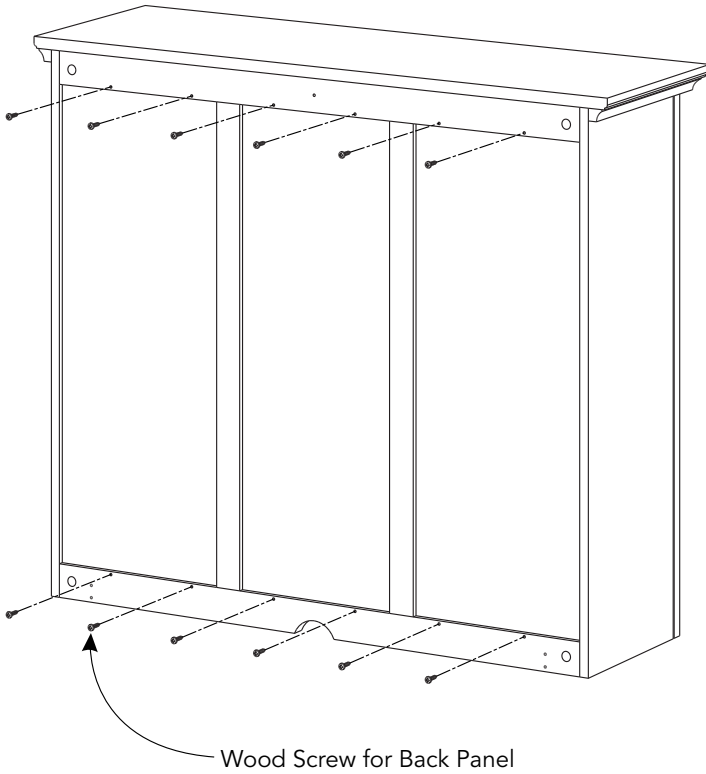
Figure 4



## STEP 7

Attach Top (A) to unit with Cam Locks.

## Assembly Instructions 5/6



### STEP 8

Insert Wood Screws for Back Panel into pre-drilled holes in unit.

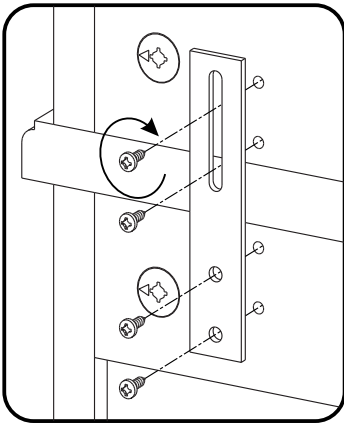
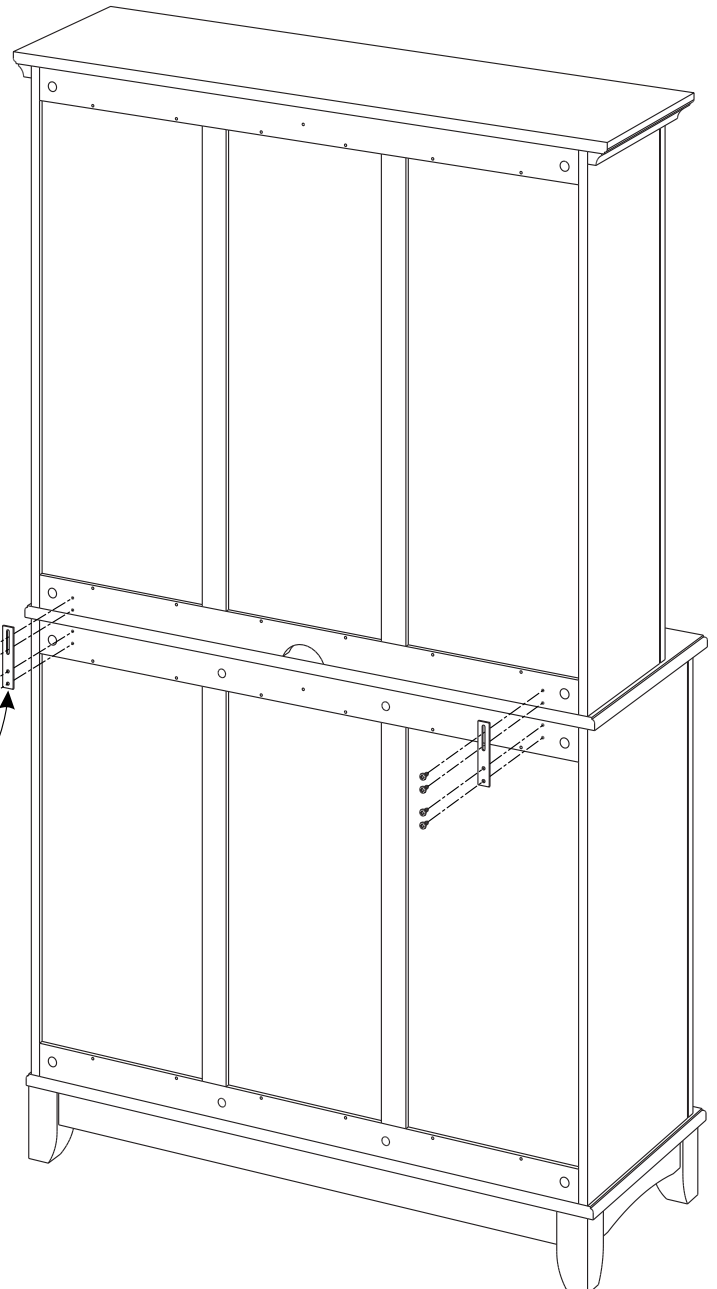


Figure 5

Wood Screw for Bracket  
Bracket

### STEP 9

Attach Hutch to Buffet with Brackets by inserting Wood Screws for Bracket into pre-drilled holes, then tighten.  
(See Figure 5)



# Assembly Instructions 6/6

## IMPORTANT

- To help reduce the risk of the unit tipping over, the Tipover Restraint must be installed following these instructions exactly.

## STEP 10

Place unit at desired location.

Drill a 3/8" hole in wall in-line with Pre-drilled hole at top of unit.

Move unit.

Insert Anchor into the wall hole and attach Bracket with Wall Screw.

Attach Bracket at pre-drilled hole at top of unit with Wood Screw.

Move unit back into place.

Slide Tipover Restraint through Bracket on wall and Bracket on unit.  
(See Figure 6)

Put tie end of Tipover Restraint into lock end of Tipover Restraint and pull until tight.

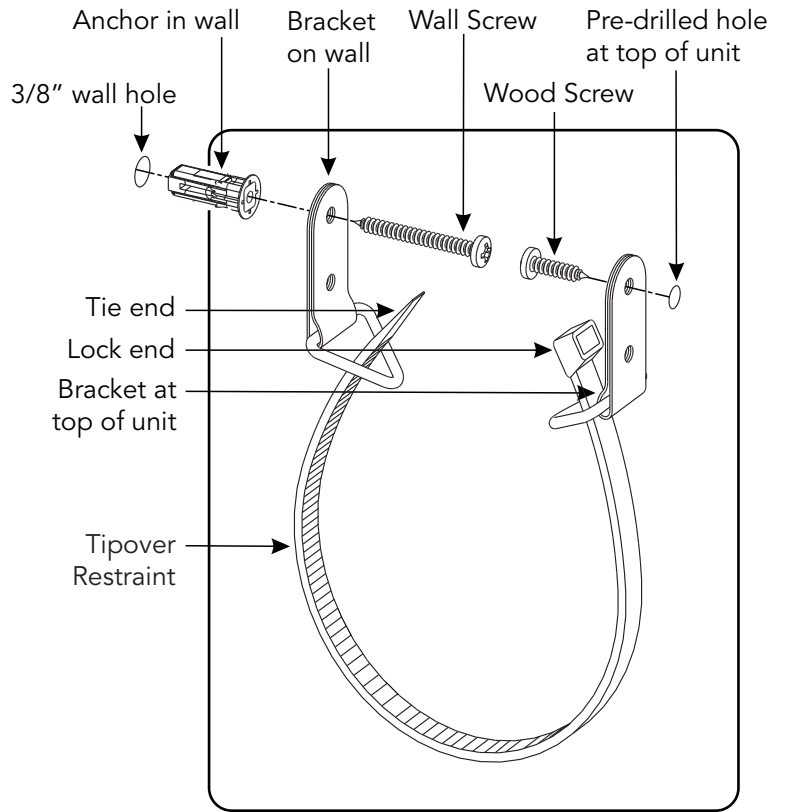
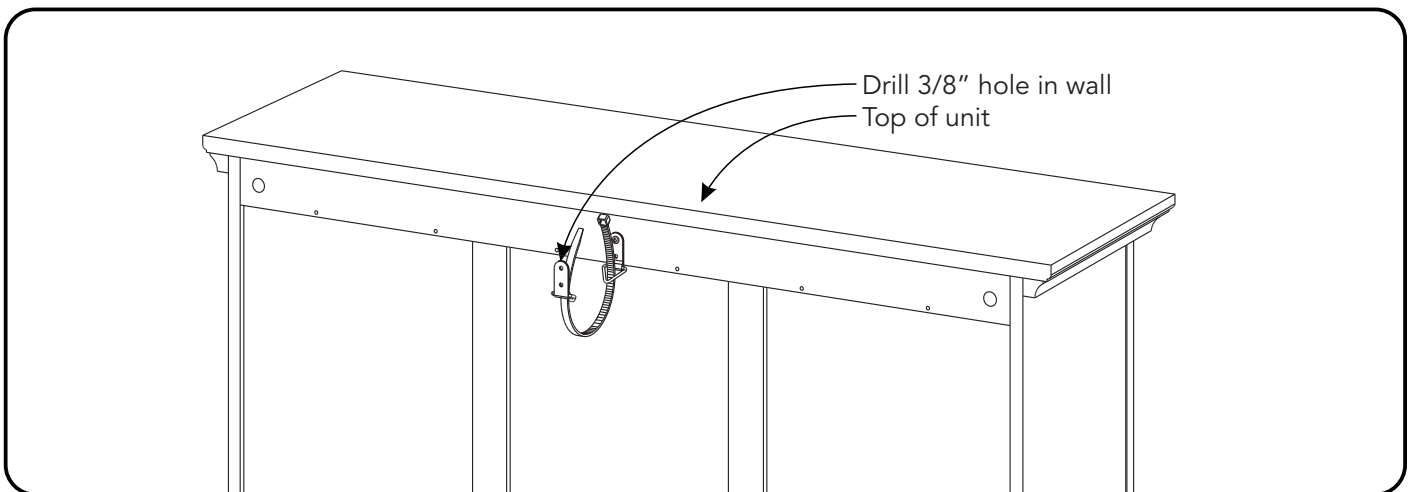


Figure 6



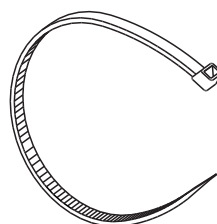
## Hardware List



Anchor  
1 pc. (+1 extra)



Bracket  
2 pcs. (+1 extra)



Tipover Restraint  
1 pc. (+1 extra)



M3.5x40  
Wall Screw  
1 pc. (+1 extra)



M3.5x16  
Wood Screw  
1 pc. (+1 extra)



# CARE INSTRUCTIONS

## NEVER

allow liquids to remain on furniture.  
Absorption causes parts to warp  
and split and finishes to delaminate.

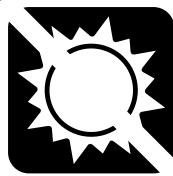
## NEVER

use glass cleaners on  
finished furniture. Ammonia  
chemically attacks the finish.



Do not use power tools  
above 8 volts to assemble.

**PREVENT  
CRACKING**



Do not place  
in direct sunlight.

**PREVENT  
FADING**



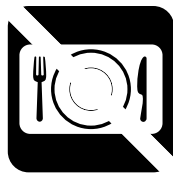
Do not write  
directly on surface.

**PREVENT  
MARKING**



Do not place hot  
objects on surface.

**PREVENT  
FINISH DAMAGE**



Do not use rubber  
based placemats.

**PREVENT  
DISCOLORING**



Do not use commercial  
waxes and polishes.

**PREVENT  
YELLOWING**

## CLEAN

with a soft cloth moistened  
in lukewarm soap and water.  
Buff with a dry clean cloth.



**homestyles** will provide replacements free of charge for missing or damaged parts within 30 days of purchase. Digital images of the defective parts may be required. If the product was not purchased from an authorized retailer, **homestyles** is under no obligation to provide replacement parts. Parts are not available for fully assembled items nor are parts available for sale. Replacements for missing or damaged parts may be requested via contact info below.

**homestyles** Customer Service: [www.homestylesfurniture.com](http://www.homestylesfurniture.com),  
[servicedesk@homestylesfurniture.com](mailto:servicedesk@homestylesfurniture.com), 888-680-7460