

⚠️ IMPORTANT INSTRUCTIONS

When using electrical appliances, basic precautions should always be followed to reduce the risk of fire, electric shock and injury to person, including the following:

1. Read all instructions before using this heater.
2. A heater has hot and arcing or sparking parts inside. Do not use it in areas where gasoline, paint or flammable liquids are used or stored.
3. This heater is hot when in use. To avoid burns, do not let bare skin touch hot surfaces. If provided, use handles when moving this heater. Keep combustible materials such as: furniture, pillows, bedding, papers, clothes and curtains away from heater.
4. To prevent a possible fire, do not block air intakes or exhaust in any manner. Do not use on soft surfaces like a bed where openings may become blocked.
5. Do not insert or allow foreign objects to enter any ventilation or exhaust opening as this may cause an electric shock or fire, or damage the heater.

SAVE THESE INSTRUCTIONS

🔧 Installation Instructions

⚠️ WARNING: Wiring procedures and connections should be in accordance with the National Electric code and local codes.

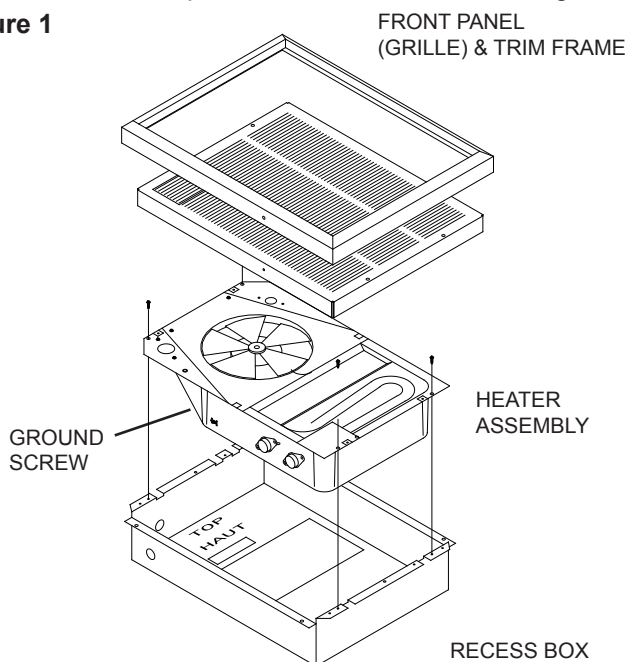
1. Remove heater from carton. The front grille and trim can be lifted off assembly, and placed in carton to prevent damage. Remove screws securing heater assembly to the recess box and separate (Figure 1).

! NOTE: Mount the heater a minimum of 12 inches (30.5 cm) from the finished floor.

Recessed Installation

2. The recess box provided with the heater is designed for

Figure 1



attachment between studs placed on 16" (40.6cm) centres. If different spacing exists, construct frame to suit the box in order to avoid any vibration and noise caused by loose mounting (Figure 2a).

3. Note orientation of box ("TOP" shown on recess box) and secure to studs using four holes provided on side flanges, ensuring these flanges are flush with **finished surface** of wall (Figure 2b).

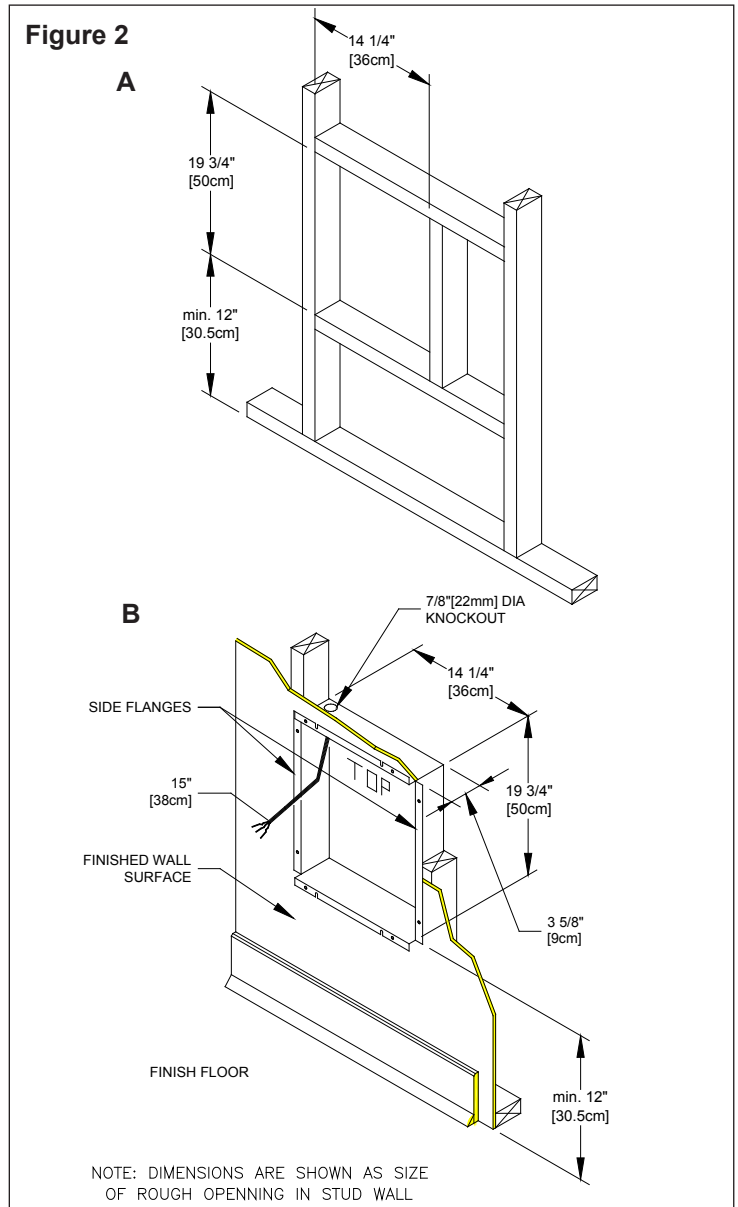
Surface Installation

2. Secure optional surface mount box (Part No. RFP8D) by angling screws through holes provided in rear of surface box into studs or finished surface.
3. Position recess box into surface box and secure with four screws provided in parts bag of surface box.

Supply Wiring and Heater Installation

! NOTE: All wiring must comply with National Electrical Code and local codes.

Figure 2



4. Insert approximately 15" (38cm) of supply wire into recess box through knockout provided in upper left hand corner (Figure 2b).

! NOTE: Wire should be rated for a minimum of 75°C (167°F)

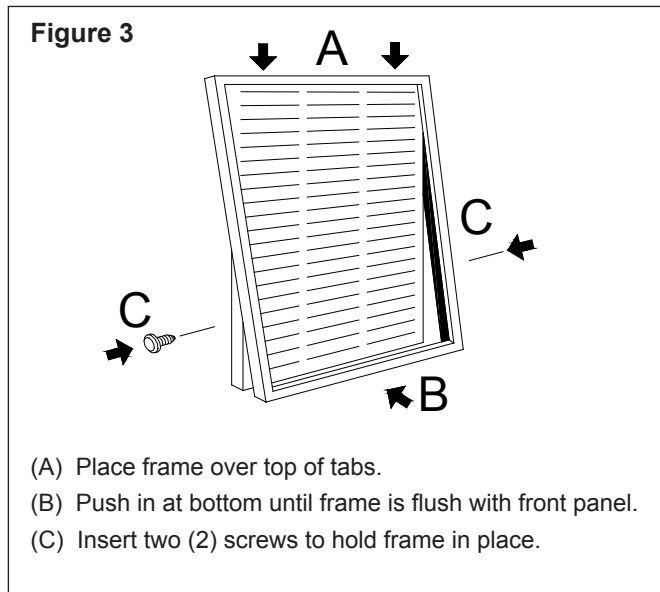
5. Connect power supply to terminals provided marked L1 and L2. Ground wire should be secured to green ground screw provided on side of heater assembly (Figure 1).
6. All units are factory prewired for operation with built-in thermostat. If remote thermostat operation is required follow appropriate wiring diagram located on inside of recess box.

! NOTE: For applications where the unit is to operate at the lower wattage, see wiring diagram located on inside of the recess box for appropriate jumper to remove.

7. Secure heater assembly to recess box using four (4) M4 screws previously removed.

Front Panel Installation

8. Remove trim frame from front panel assembly.
9. If tamper proof built-in or remote thermostat operation is required, secure the louvered door to the front panel using two (2) M3 screws (not included) through the holes provided. The knob can then be removed and adjustment of the thermostat can be made using a slotted screwdriver through the front panel.
10. Check to see that the fan blade is free to turn and that no residue remains in the unit. Front panel can then be secured to assembly using four (4) M4.8 x 37 screws provided.
11. Replace Front Panel (Grille), see Figure 3.



Operation and Maintenance

1. Set thermostat to desired temperature and both fan and heat should come on. Note that when desired temperature is reached the fan operation will continue for a short period after the elements have de-energized in order to remove residual heat from the unit.
2. The fan motor is permanently lubricated and sealed at the factory and is maintenance free.
3. It is suggested that at the beginning of each season the front panel is removed and the wire connection condition is checked and the unit is cleaned of dust and dirt with a vacuum cleaner.

! NOTE: Always open the circuit breaker to disconnect power to the unit prior to performing any maintenance or service operation.

⚠ WARNING: Should the Over Temp light come on, disconnect power to the heater or turn down the thermostat fully counterclockwise and call a licensed electrician. **DO NOT USE HEATER UNTIL PROBLEM IS DETERMINED AND FIXED.**

Warranty

The Manufacturer warrants the heating elements and components of the enclosed product against any defect in material or workmanship for a period of one year from the date of purchase. In full satisfaction of any claims under this Warranty the Manufacturer will repair or replace without charge, in its factory or in the field as it alone may decide, any parts which in its opinion are defective.

The Manufacturer shall not be responsible for any transportation or shipping costs in relation to such repair or replacement except as specifically assumed by it. Misuse of this product or repairs by persons other than the Manufacturer's authorized personnel without the Manufacturer's written approval, will void this Warranty.

This Warranty is in lieu of all other warranties or conditions whether express or implied including but not limited to those of merchantability or fitness for purpose and shall constitute the sole remedy of the Purchaser and the sole liability of the Manufacturer in respect of the sale of the product, whether in the nature of breach or breach of fundamental term, or of negligence or otherwise.

The Manufacturer shall not be liable for any special, indirect or consequential damages or for any damages resulting from removal or replacement of a heater subject to warranty claim without the Manufacturer's authorization.

This Warranty is transferable by the original consumer purchaser of the product. Any claims under this Warranty must be submitted in writing to the Service Manager, Dimplex North America Ltd., 1367 Industrial Rd., Cambridge, Ontario N3H 4W3, Canada.

Dimplex

1367 Industrial Road • Cambridge ON Canada N3H 4W3
1-888-346-7539 • www.dimplex.com

In keeping with our policy of continuous product improvement, we reserve the right to make changes without notice.
© 2016 Dimplex North America Limited

