

CADET 

COM-PAK®



- Efficient, quiet fan
- Warm up in a hurry with a fast-heating element
- Unique compact design is recess mounted into your wall or can be installed on the surface of the wall to suit any room
- Heater assemblies and grilles are powder-coated to provide a durable finish, and complete heaters include a galvanized wall can
- Easy to install
- Rest easy – includes high temperature safety shutoff
- Available with or without built-in thermostat

The Com-Pak is an efficient, affordable way to add warmth without installing ductwork. Our hard wired heaters have proven safety features and multiple installation options, so your family can enjoy safe, sensible warmth for years.

ARCHITECTURAL - ENGINEERING INFORMATION

Fan forced up flow electric air heaters are cULus listed, factory rated at 120V, 208V, and dual field rated 208V/240V. A 20 gauge galvanized steel wall mounting can with seven knockouts and 34 cubic inch wiring compartment is provided with each complete heater. Each heater is powder coated, of unitized construction and attaches to the wall can with a single screw and is self-contained and completely separate from the wall mounting can. Element is of nichrome type wire wrapped on mica insulators with a 16 amp rated, at 240V, high temperature manual power reset limit switch, and a one-time over temperature thermal back-up fuse, both located on the element board in the heated air flow for faster response time to abnormal conditions. A two stage centrifugal blower delivering approximately 40 to 55 CFM is driven by an impedance protected motor. The motor is totally isolated from the heating chamber. Metal grille is of one piece, 20-gauge construction and finished with a powder coat paint system.

TECHNICAL INFORMATION

UL safety standards require the heater to be placed a minimum distance of 3/4 inches (1.9 cm) from adjacent surfaces and 4-1/2 inches (11.4 cm) from the floor. Manufacturer recommends installations 12 inches (30.5 cm) from all surfaces for longer and cleaner performance. All models 1500 watts or less may be ceiling mounted. A 3 foot (91.4 cm) minimum clearance is required for furniture or other objects placed directly in front of the heater.

Electric wall heaters and thermostats work best when installed on an inside wall.



COM-PAK®

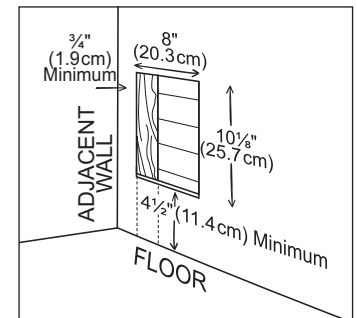
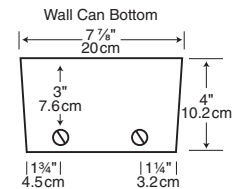
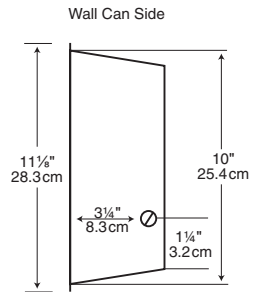
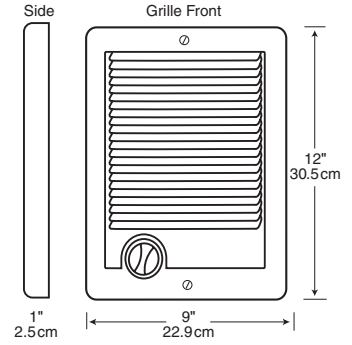
Grille: 9" W (22.9 cm) x 12"H (30.5 cm) x 1"D (2.5 cm)

Rough-in: 8"W (20.3 cm) x 10-1/8"H (25.7 cm) x 4"D (10.2 cm)

Thermostat temperature range 40°F to 85°F (4°C to 29°C)

Heater assemblies require a wall can and grille kit, and may require a thermostat

PART	MODEL*	DESCRIPTION	WATTS	VOLTS	AMPS	BTUS	LBS/KGS
67508	CSC101TW	Complete unit with stat, wall can & grille, white	1000	120	8.3	3415	7/3.2
67509	CSC151TW	"	1500	120	12.5	5120	7/3.2
67505	CSC102TW	"	1000/750	240/208	4.2/3.6	3415/2560	7/3.2
67506	CSC152TW	"	1500/1125	240/208	6.3/5.4	5120/3840	7/3.2
67507	CSC202TW	"	2000/1500	240/208	8.3/7.2	6825/5120	7/3.2
67549	CSC101W	Complete unit without stat, with wall can & grille, white	1000	120	8.3	3415	7/3.2
67553	CSC151W	"	1500	120	12.5	5120	7/3.2
67540	CSC072W	"	750/563	240/208	3.1/2.7	2560/1925	7/3.2
67541	CSC102W	"	1000/750	240/208	4.2/3.6	3415/2560	7/3.2
67542	CSC122W	"	1250/937	240/208	5.2/4.5	4265/3200	7/3.2
67543	CSC152W	"	1500/1125	240/208	6.3/5.4	5120/3840	7/3.2
67544	CSC202W	"	2000/1500	240/208	8.3/7.2	6825/5120	7/3.2
67550/67560	CS051/CS051T	Heater assembly without/with thermostat	500	120	4.2	1710	3.5/1.5
67515/67523	CS101/CS101T	120 volt	1000	120	8.3	3415	3.5/1.5
67516/67524	CS151/CS151T	"	1500	120	12.5	5120	3.5/1.5
67563	CS058	Heater assembly without thermostat	563	208	2.7	1925	3.5/1.5
67564	CS078	208 volt	750	208	3.6	2560	3.5/1.5
67557	CS108	"	1000	208	4.8	3415	3.5/1.5
67569	CS118	"	1125	208	5.4	3840	3.5/1.5
67571	CS158	"	1500	208	7.2	5120	3.5/1.5
67517	CS208	"	2000	208	9.6	6825	3.5/1.5
67584/67585	CS052/CS052T	Heater assembly without/with thermostat	500/375	240/208	2.1/1.8	1710/1280	3.5/1.5
67510/67518	CS072/CS072T	240/208 volt	750/563	240/208	3.1/2.7	2560/1925	3.5/1.5
67511/67519	CS102/CS102T	"	1000/750	240/208	4.2/3.6	3415/2560	3.5/1.5
67512/67520	CS122/CS122T	"	1250/937	240/208	5.2/4.5	4265/3200	3.5/1.5
67513/67521	CS152/CS152T	"	1500/1125	240/208	6.3/5.4	5120/3840	3.5/1.5
67514/67522	CS202/CS202T	"	2000/1500	240/208	8.3/7.2	6825/5120	3.5/1.5

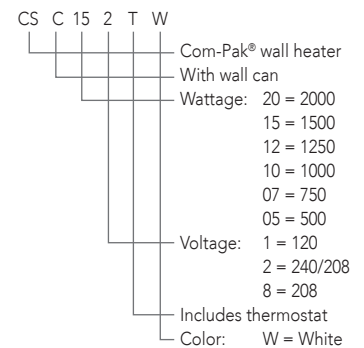


ROUGH-IN: 8" W (20.3 CM) X 10-1/8" H (25.7 CM) X 4" D (10.2 CM)

WALL HEATER ACCESSORIES (MODEL CS)

PART	MODEL*	DESCRIPTION	VOLTS	AMPS	LBS/KGS	
					SINGLE	MULTI
67061/67060	CC/CC10	Wall can for model CS, CE, CB or HW, single or 10-pack, galvanized			2.8/1.3	22.5/10.2
69111	CCSMW	Surface mount wall can for model CS, CM, CE or HW, single pack				
69110	CCSMB	9-13/16" W x 12-3/4" H x 4-7/16" D, white, black or almond			4.4/2.0	
69112	CCSMA					
67079/67081	CGW/CGW10					
67082/67083	CGB/CGB10	Vertical grille kit for model CS, single or 10-pack, white, black or almond			1.5/0.7	12.3/5.6
67075/67080	CGA/CGA10					
65005/65006	CMGW/CMGW5	Horizontal grille kit for model CS, without stat, single or 5-pack, white or almond			2.0/0.9	7.5/3.4
65015/65016	CMGA/CMGA5					
67063/67065	CTT1W/CTT1A	Built-in thermostat kit for model CS or CST, single or				
67064/67066	CTT2W/CTT2A	double pole, 40°F to 85°F (4°C to 29°C), white or almond	240/208/120	22	0.3/0.1	
67067	CTT1P	Built-in tamperproof thermostat kit for model CS or CST,				
67068	CTT2P	(no knob) single or double pole, 40°F to 85°F (4°C to 29°C)	240/208/120	22	0.3/0.1	
67105/67100	CAMW/CAMA	Adapter plate for model CS, CE or CB, 18-1/2" W x 22" H, white or almond			3.4/1.5	
67115/67110	SAMW/SAMA	Adapter plate for model CS, CE or CB, 12" W x 21-1/4" H, white or almond			2.8/1.3	
00535	KNOB CS/CST	Replacement knob for model CS or CST, retail, single or 6-pack, white			0.2/0.1	1.2/0.5

Model No. Code



If horizontal mounting is preferred for heater assemblies without thermostat, use grille kit model CMGW/CMGA.

*Suffix W, A or B in model designates color

Note: 5-pack models must be ordered in multiples of 5; 10-pack models in multiples of 10