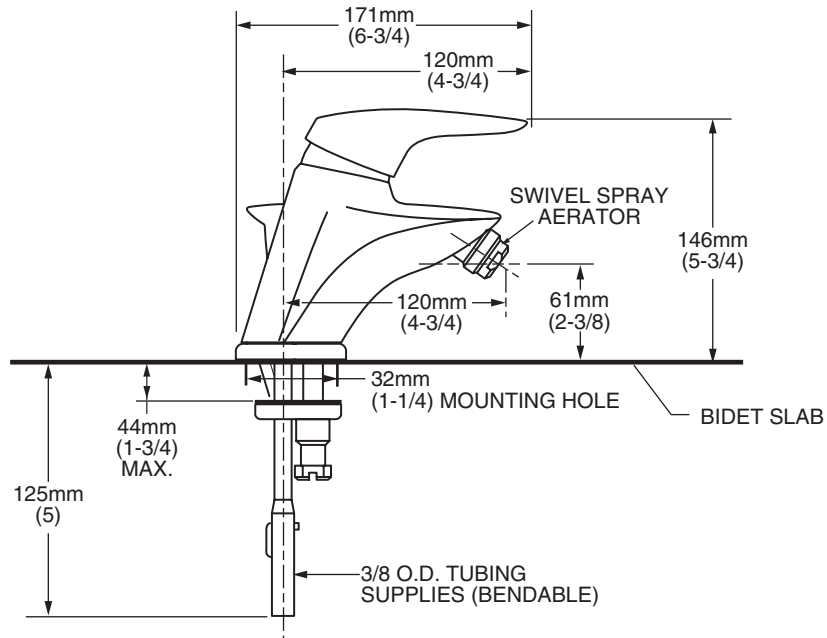




MODEL NUMBER:

- 2000.011 Bidet Fitting**
Pop-up drain. Swivel spray aerator.



GENERAL DESCRIPTION:

Cast brass body with metal lever handle. Washerless 47mm ceramic disc valve cartridge. Equipped with a hot limit safety stop. 3/8" O.D. copper supplies.

PRODUCT FEATURES:

Brass and Copper Waterway: Highest quality faucet materials for durability and long life.

Ceramic Disc Valve Cartridge: Assures a lifetime of drip-free performance.

Adjustable Hot Limit Safety Stop: Limits the amount of hot water allowed to mix with cold. Reduces the risk of accidental scalding.

Choice of Finishes: Available in Polished Chrome and Satin Nickel (PVD).


SUGGESTED SPECIFICATION:


Single control bidet fitting shall feature a cast brass body with metal handle. Shall also feature washerless ceramic disc valve cartridge. Fitting shall be equipped with a hot limit safety stop. Fitting shall be American Standard Model # 2000.011.____.

CODES AND STANDARDS

These products meet or exceed the following codes and standards:

- ANSI A117.1**
- ASME A112.18.1**
- CSA B125**

	Product Number	Description	Finish Options*	
			Polished Chrome	PVD Satin Nickel
			002	295
	2000.011	Bidet fitting. Pop-up drain. Swivel spray aerator.		
	2000.101P	Escutcheon Plate only.		

 Meets the American Disabilities Act Guidelines and **ANSI A117.1** Requirements for the physically challenged.

***EverClean™ Finish:**

- Offered on Polished Chrome (002) and Satin Nickel (295) finishes.
- One wipe effortlessly removes spots.
- Eliminates the need for cleaners and scrubbing.