

MODELS

- 442500 Stainless Finish, 1.5 gpm
- 442501 Chrome, 1.5 gpm
- 442502 Polished Nickel, 1.5 gpm
- 442503 Oil Rubbed Bronze, 1.5 gpm

FEATURES

- Solid brass body
- Ceramic disk cartridge
- Pull-down dual spray
- 1.5 GPM flow rate
- Installation in a 1-3/8" hole
- Color coded hot and cold supply lines
- 180 degree spout swivel
- Maximum deck thickness 2-1/4"

OPTIONAL ACCESSORIES

- EMPRESSA Soap Dispenser
- 442516 Chrome
 - 442517 Stainless Finish
 - 442518 Polished Nickel
 - 442519 Oil Rubbed Bronze

CODE/STANDARDS COMPLIANCE

- ASME A112.18.1-2005
- IAPMO Listed
- Meets AB1953 low lead requirements

WARRANTY

BLANCO'S kitchen and bar faucets feature a LIMITED LIFETIME WARRANTY to be free of all manufacturing defects under normal use. See our complete warranty for details.

While BLANCO endeavors to provide accurate information, all dimensions are nominal, cannot be guaranteed, and are subject to change or cancellation. BLANCO assumes no responsibility for use of superseded or voided specifications.

JOB INFORMATION

Job Name: _____

Contact: _____

Date Specified: _____

Specifier: _____

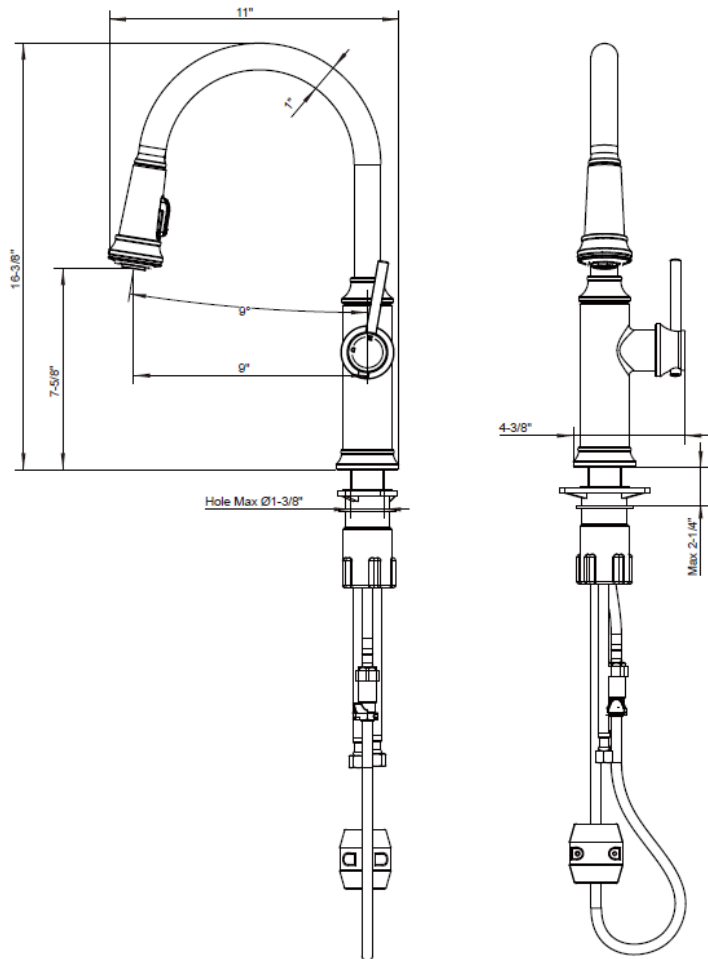
Contractor: _____



NOMINAL DIMENSIONS

Model 442501 shown

REACH	SPOUT HEIGHT	FAUCET HEIGHT
9"	7-3/4"	16-3/8"



See next page for exploded parts drawing and parts list.

BLANCO AMERICA

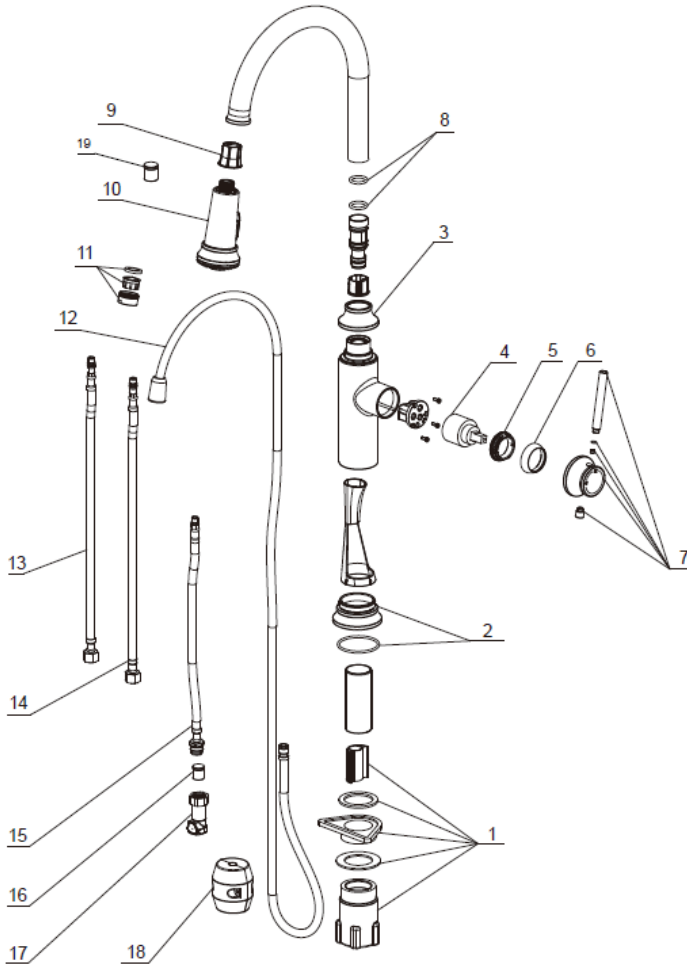
800.451.5782

www.blancoamerica.com

© 2018 BLANCO AMERICA

3/18

SPEC-001



Faucet hole $\Phi 1-3/8"$

REPAIR PARTS GUIDE

Diagram #	Description	Part #
1	Mounting Kit	442106
2	EMPRESSA Base CH	442613
2	EMPRESSA Base ST	442614
2	EMPRESSA Base PN	442615
2	EMPRESSA Base ORB	442616
3	EMPRESSA Spout Cover Ring CH	442617
3	EMPRESSA Spout Cover Ring ST	442618
3	EMPRESSA Spout Cover Ring PN	442619
3	EMPRESSA Spout Cover Ring ORB	442620
4	Cartridge	442109
5	Cartridge Lock Nut	120442
6	EMPRESSA Cartridge Cap CH	120441
6	EMPRESSA Cartridge Cap ST	442622
6	EMPRESSA Cartridge Cap PN	442623
6	EMPRESSA Cartridge Cap ORB	442624
7	EMPRESSA Handle CH	442625
7	EMPRESSA Handle ST	442626
7	EMPRESSA Handle PN	442627
7	EMPRESSA Handle ORB	442628
8	Set of rings	442660
9	EMPRESSA Sprayhead Collar	442659
10	EMPRESSA Handspray CH	442605
10	EMPRESSA Handspray ST	442606
10	EMPRESSA Handspray PN	442607
10	EMPRESSA Handspray ORB	442608
11	EMPRESSA Aerator Kit	442661
12	Spray Hose	442662
13	Supply Line Hot Water	442663
14	Supply Line Cold Water	442664
15	Supply Line	442665
16	Check Valve	442666
17	EMPRESSA Hose Connector	442667
18	Weight	442668
19	Flow Restrictor with Check Valve 1.5gpm	442669

Need to Change a Faucet Cartridge?



Scan this QR code
to see our how-to video

For faucet technical support or questions,
please e-mail us at blanco@blancoamerica.com