

| | | | | | |
|-------------|--|-----------|--|------|--|
| Project | | Catalog # | | Type | |
| Prepared by | | Notes | | Date | |



HALO

HLBSL6

6-Inch LED Lens Downlight with Remote Driver / Junction Box

Typical Applications

Residential

Interactive Menu

- Order Information [page 2](#)
- Product Specifications [page 2](#)
- Photometric Data [page 3](#)
- Energy & Performance Data [page 3](#)
- Product Warranty
- Dimming Guide

Top Product Features

- Direct mount - does not require recessed housing or junction box
- Delivers up to 1,049 lumens
- Achieves L70 at 35,000 hours in IC and non-IC applications
- 3000K, 4000K, 5000K field selectable CCT

Product Certification

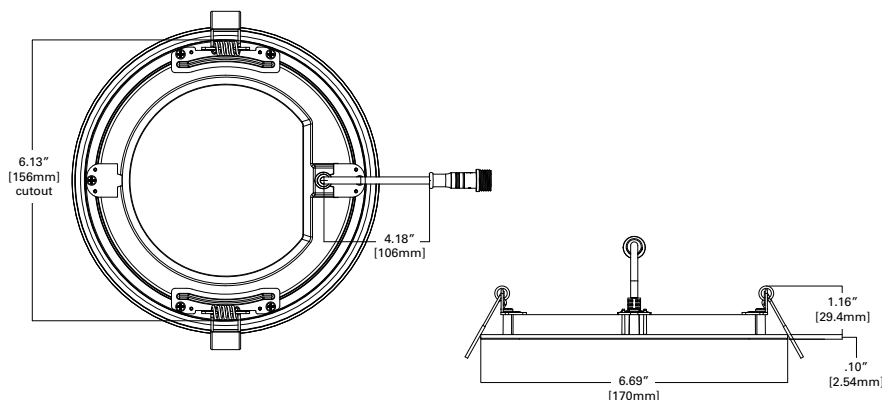


Refer to ENERGY STAR® Certified Products List.
Can be used to comply with California Title 24 High Efficacy requirements.
Certified to California Appliance Efficiency Database under JAB.

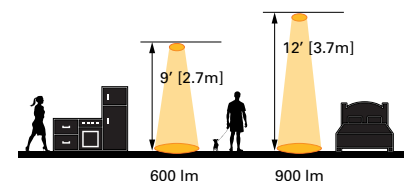
Product Features



Dimensional and Mounting Details



Scale



[additional product diagrams](#)

Order Information

Icon Key: ▲ Configurable Product

SAMPLE ORDER NUMBER: HLBSL6099FS351EMWR

| Models | Lumens | CRI / CCT | Driver | Finish | Packaging |
|---|---------------------------|--|---|-------------------------|---|
| HLBSL6 = 6-Inch LED smooth lens downlight with plastic housing and remote driver / junction box | 09 = 900 lumens (nominal) | 9FS35 = 90 CRI minimum, field selectable 3000K, 4000K, 5000K CCT | 1E = 120V 60Hz, LE & TE phase cut 10% dimming | MW = matte white flange | R = recyclable 4-color unit carton suitable for point of purchase merchandising display |
| Notes | Notes | Notes | Notes | Notes | Notes |

Accessories

| Accessories |
|--|
| <p>HL6RSMF = 6" new construction mounting frame HLB6ROTMW = 6" round oversized trim ring, 8.875" OD, matte white</p> <p><u>Extension Cable seleCCTable Driver/Jbox</u> HLB06FSEC = 6 ft. extension cable HLB12FSEC = 12 ft. extension cable HLB20FSEC = 20 ft. extension cable</p> |
| Notes |

Product Specifications

Housing

- Plastic mounting frame with integral flange provides passive thermal cooling achieving L70 at 35,000 hours in IC and non-IC applications

Optics

- Precision acrylic light guide organizes source flux into wide distribution with 1.28 spacing criteria, useful for general area illumination

LED Array

- Plurality of mid power LED's provides a uniform source with high efficiency and long life
- Available in 90 CRI minimum, R9 greater than 50 provides high color rendering
- Field Selectable color temperature (3 colors)
 - 3000K, 4000K, 5000K
 - Color accuracy of 4 step at the ends, 7 step in the middle
- Meets ENERGY STAR® color angular uniformity requirements, deviation is less than 0.006 u' V

Remote Driver / Junction Box

- Die formed metal driver / junction box with captive hinged junction box cover
- Listed for (6) #12 AWG 90° C splice conductors, 2-in, 2-out plus (2) ground
- (4) ½" conduit pry-outs
- Accepts 14-2, 14-3, 12-2, 12-3 U.S. and 14-2, 14-3, 12-2 Canadian NM cable
- (3) wire nuts for quick and reliable mains voltage connections
- Integral mounting facilitates direct mounting to building structure or mounting frame

Driver

- 120V 60 Hz constant current driver provides noise free operation
- Continuous, flicker-free dimming from 100% to 10% with select leading or trailing edge 120V phase cut dimmers

Installation

- Can be installed in 3/8" to 5/8" thick ceilings
- Round ceiling cutout
- Heat treated springs hold fixture fitting securely in the ceiling eliminating light leaks
- Housing is less than ½" thick and can span a 2" nominal framing member
- Can be removed from below the ceiling for service or replacement

Compliance

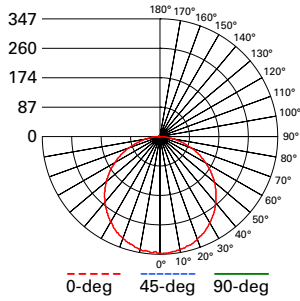
- cULus certified type IC suitable for direct contact with air permeable insulation
- Not recommended for use in direct contact with spray foam insulation, reference NEMA LSD57-2013
- Wet location listed and IP44 ingress protection
- Airtight per ASTM-E283-04
- Suitable for use in clothes closets when installed in accordance with the NEC 410.16 spacing requirements
- EMI/RFI emissions per FCC 47CFR Part 15 consumer limits
- Contains no mercury or lead and RoHS compliant
- Photometric testing in accordance with IES LM-79-08
- Lumen maintenance projections in accordance with IES LM-80-08 and TM-21-11
- Can be used for State of California Title 24 high efficacy LED compliance under JA8, reference Modernized Appliance Efficiency Database System (MAEDBS) for 2019 JA8 High Efficacy Lighting
- ENERGY STAR® certified, reference "Certified Light Fixtures" database

Warranty

- Five year warranty standard.

Photometric Data

[View IES files](#)



HLBSL6099FS351EMWR
 Spacing criterion: (0-180) 1.28
 (90-270) 1.24
 (Diagonal) 1.38
 Beam Angle: 112.9°
 Field Angle: 161.5°
 Lumens: 866
 Input Watts: 12.9 W
 Efficacy: 67.13 LPW
 Test Report:
 HLBSL6099FS351EMWR.ies

| Zonal Lumen | Lumens | % Lumens |
|-------------|--------|----------|
| 0-30 | 233.8 | 27 |
| 0-40 | 383.6 | 44.3 |
| 0-60 | 682.4 | 78.8 |
| 0-90 | 866.0 | 100 |



COLOR METRIC SUMMARY

HLBSL6099FS351EMW

| 3000K | | 4000K | | 5000K | |
|----------|-----------|----------|-----------|----------|-----------|
| TM-30-15 | Rf = 92.0 | TM-30-15 | Rf = 90.0 | TM-30-15 | Rf = 90.0 |
| | Rg = 99.0 | | Rg = 98.0 | | Rg = 97.0 |
| CRI/CIE | Ra = 94.4 | CRI/CIE | Ra = 95.6 | CRI/CIE | Ra = 94.4 |
| | R9 = 72.4 | | R9 = 86.1 | | R9 = 80.6 |

Energy and Performance Data

| | | Lumens | Power (W) | LPW |
|-------------------|-------|--------|-----------|------|
| HLBSL6099FS351EMW | 3000K | 866 | 12.9 | 67.1 |
| | 4000K | 954 | 12.7 | 75.1 |
| | 5000K | 957 | 12.9 | 74.2 |

HLBSL6099FS351EMW

PRODUCT SPECIFICATIONS

| | |
|---|--------------|
| Lumens | 940 |
| Watts | 12.6 |
| Lumens Per Watt (Efficacy) | 74.6 |
| Color Accuracy (CRI) | 93 |
| Light Color (CCT) <small>Correlated Color Temperature (CCT)</small> | 3000K |

Note: Refer to IES files for more product data.

Dimensional Details

