

CLEANSING TOILET SEAT COMPARISONS

A cleansing seat is an instant upgrade to any toilet, with customizable amenities and conveniences, including warm-water cleansing, heated seat, nightlight and much more. KOHLER® cleansing seats are designed to fit most elongated toilets, and our signature designs complement a range of decors. They will leave you feeling a cleaner kind of clean.

Learn how to install a cleansing seat [here](#).



		CLEANSING SEATS					
		Puretide (K-5724)	C ³ -050 (K-18751)	C ³ -125 (K-4737)	C ³ -155 (K-8298)	C ³ -455 (K-8298-CR)	C ³ -230 (K-4108)
STANDARD FEATURES	QUIET-CLOSE LID AND SEAT	•	•	•	•	•	•
	GRIP-TIGHT BUMPERS	•	•	•	•	•	•
CLEANSING FUNCTIONS	FRONT & REAR WASH	•	•	•	•	•	•
	OSCILLATING AND PULSATING SPRAY			•	•	•	•
	ADJUSTABLE WATER TEMPERATURE		•	•	•	•	•
	ADJUSTABLE WATER PRESSURE	•	•	•	•	•	•
	STAINLESS STEEL WAND		•		•	•	•
	WATER RINSING OF WAND	•	•	•	•	•	•
	UV SANITATION OF WAND		•		•	•	•
WARMTH & LIGHT	NIGHTLIGHT			•	•	•	•
	ADJUSTABLE HEATED SEAT			•	•	•	•
	ADJUSTABLE WARM-AIR DRYER			•	•	•	•
HANDS-FREE	AUTOMATIC DEODORIZATION			•	•	•	•
REMOTE CONTROL	PERSONALIZED PRESETS					•	•
	TOUCH-SCREEN REMOTE CONTROL						•
	STANDARD REMOTE CONTROL					•	
COLOR OPTIONS		0, 96	0, 96	0, 96	0, 96	0	0, 96

NOTE: KOHLER cleansing seats fit most elongated toilets. Visit [KOHLER.com/SeatFit](https://www.kohler.com/SeatFit) to see the KOHLER toilets and cleansing seats compatibility list.

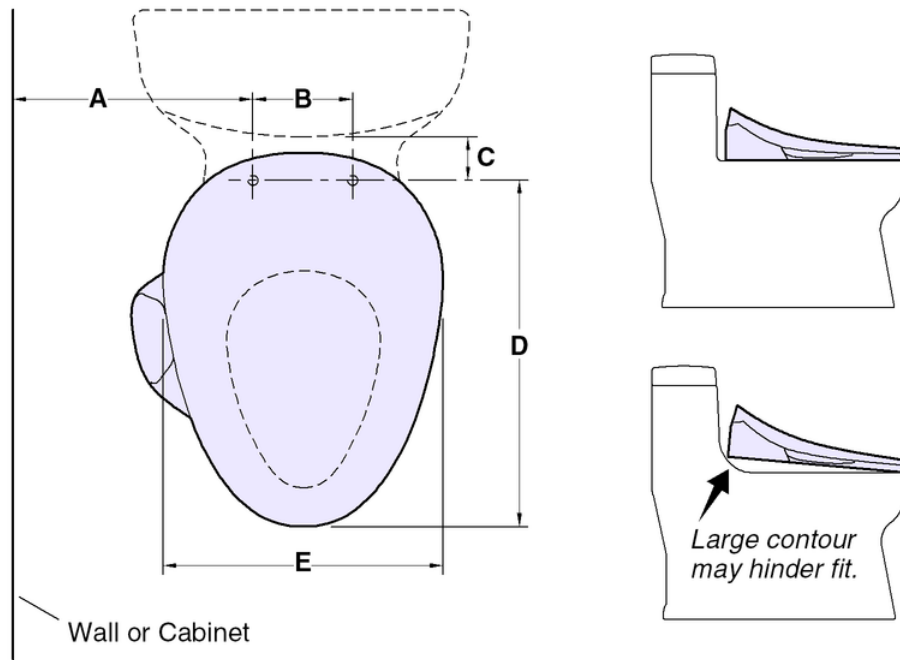


Compatibility with Non-KOHLER Toilets

KOHLER cleansing toilet seats can be installed to non-KOHLER toilets that have compatible dimensions.

Refer to the information below to see if your toilet can accommodate the KOHLER cleansing seat.

K-4108 C3® 230 Elongated Cleansing Seat with Remote Control



Dimension		Description	Notes
A	13-1/4" (337 mm)	Distance from the mounting hole and a wall, cabinet, or other fixture	This is the recommended minimum clearance for maneuverability and proper seat operation.
B	5-1/2" (140 mm)	Distance between the mounting holes	The space between seat mounting holes may vary depending on the toilet style. Verify that the holes on your toilet will accommodate the cleansing seat.
C	1-3/8" (35 mm)	Minimum space between the tank and the center of the mounting holes	The contours of some toilet tank styles may not allow proper clearance for cleansing seat installation.
D	18-1/4" (454 mm) to 19-1/4" (489 mm)	Distance from the mounting holes to the front of the seat	This cleansing seat is designed for an elongated bowl. If your toilet bowl measurement is within this range, the seat can be mounted flush with the rim. If your measurement is shorter than this range, the seat will overhang the rim.
E	15-3/8" (391 mm)	Cleansing seat width	If the width of your toilet bowl is less than this dimension, the seat will overhang the rim.