

brondell[®]

Owner's Manual

SWASH CSG15

ADVANCED BIDET SEAT

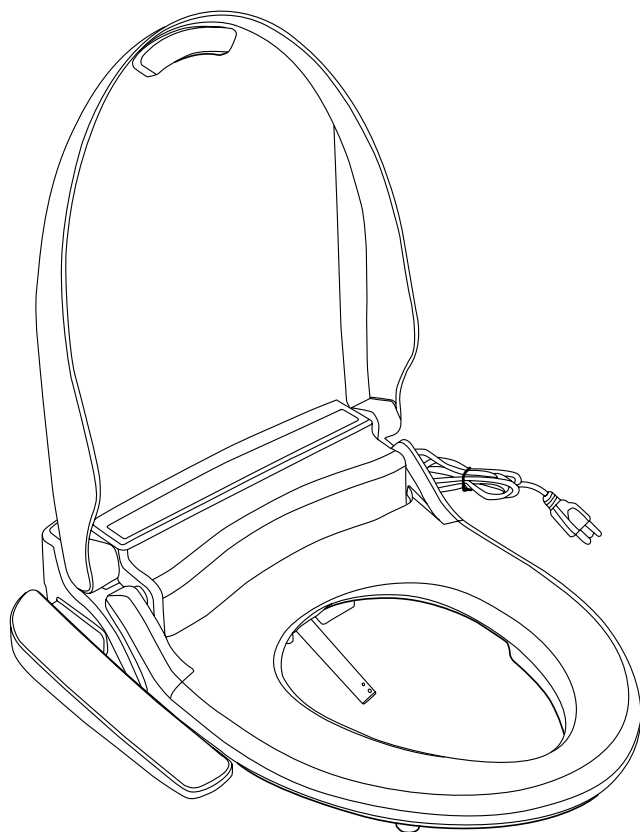


Table of Contents

This manual contains important safety information. Before operating the bidet, please read this manual thoroughly, and retain it for future reference.

GENERAL INFO

- 01 SAFETY INFORMATION
- 06 PRODUCT INFORMATION
- 06 Product Features
- 07 Product Dimensions
- 08 Product Parts

PRODUCT INSTALLATION

- 09 PRODUCT INSTALLATION
- 09 Installation Parts
- 10 Before Installation
- 11 Swash Installation
- 13 External Bidet Filter Installation

PRODUCT OPERATION

- 14 OPERATING THE SWASH
- 14 CSG15 Control Panel
- 16 Using the CSG15
- 17 Special Mode Operations

TECHNICAL INFO

- 19 PRODUCT SPECIFICATIONS
- 20 MAINTENANCE
- 20 Seat Cleaning & Removal
- 20 Nozzle Cleaning
- 21 Cleaning the Mesh Filter
- 21 Product Storage
- 22 TROUBLESHOOTING
- 25 WARRANTY
- 26 CONTACT




TRANSLATIONS

- 1 ENGLISH
- 27 SPANISH
- 54 FRENCH

SAFETY INFORMATION (IMPORTANT SAFEGUARDS)

READ ALL INSTRUCTIONS BEFORE USING

BE CAREFUL TO KEEP THIS SAFETY INFORMATION. PLEASE READ THIS INFORMATION TO PREVENT PROPERTY LOSS AND ENSURE SAFETY.

-  **DANGER:** If not observed, serious injury or even death may occur as a result.
-  **WARNING:** If not observed, serious physical injury or property damage may occur as a result.
-  **CAUTION:** If not observed, minor physical injury or property damage may occur as a result.



DANGER

Failure to observe the following warnings may result in electric shock, fire, personal injury, property damage or product damage.

- Do not use a damaged power plug or plug into a loose electric outlet.
- Do not move the product by pulling the power cord.
- Do not handle the product or power plug with wet hands.
- Do not forcefully bend the power cord or place heavy objects on it to prevent it from being damaged or deformed.
- Do not connect and pull out the power plug or cord repeatedly.
- Unplug the product before cleaning, repairing, inspecting, or replacing parts.
- Remove any dust or water from the power plug prior to plugging in.
- Do not plug the product into an electrical outlet or power strip that is being used by too many other products. Use an electrical outlet adequate for the wattage of the product rated for a minimum of 15 amps.
- If the power cord is damaged, do not attempt to repair, modify, or replace the cord yourself. Contact the Brondell Service Center toll free at **888-542-3355** or email us through our website.
- If the product produces a strange noise, a burning smell, or emits smoke, unplug it immediately from the electrical outlet and contact Brondell. Failure to do so may result in electric shock or fire.
- Do not insert any wires or sharp objects into any product gaps. This may result in electric shock, fire, or product damage.
- Do not place an electronic or gas heater near the product or dispose of any burning materials such as a lit cigarette in the toilet. This may result in fire or product deformation. Do not place any containers filled with water or other liquids, food, metallic objects, or any flammable material on top of the product. If foreign material enters the product, this may result in electric shock or fire.

SAVE THESE INSTRUCTIONS

SAFETY INFORMATION

(IMPORTANT SAFEGUARDS)



DANGER

Failure to observe the following warnings may result in electric shock, fire, personal injury, property damage or product damage.

- Do not use the product in locations exposed to excessive moisture and do not splash water onto the product.
- While cleaning the bathroom, pull the power plug out of the electrical outlet and exercise caution to ensure that water or cleaning supplies do not splash onto the bidet. Failure to do so may result in electric shock or fire.
- If foreign material enters the product, pull the power plug out of the electrical outlet, turn off the main water valve, and call the Brondell Service Center.
- Do not disassemble, repair, or modify the product yourself.
- Do not use the product while wet from bathing or showering.
- Do not place or store the product where it can fall or be pulled into a tub or sink.
- Do not place in or drop the product into water or any other liquid.
- Do not reach for the product if it has fallen into water. Unplug the product immediately and call the Brondell Service Center.
- Do not use the product if it is not working properly. Please unplug the product immediately, close the main water supply valve, and call the Brondell Service Center at **888-542-3355**. Failure to do so may result in electric shock, fire, or flooding.



WARNING

Failure to observe the following warnings may result in electric shock, fire, personal injury, property damage or product damage.

- Do not plug in, operate, or store the unit in locations where flammable or combustible materials are used or kept.
- Do not use industrial water, or gray water for the supply, as this may cause skin damage or disease.
- Turn off the main water supply valve when cleaning.
- For children and seniors who may have difficulties with adjusting temperatures or those with sensitive skin or impaired heat sensitivity, set the temperature of the wash spray and seat to “low” or “off” to prevent burning.
- Close supervision is necessary when this product is used by children, seniors, or persons requiring general assistance.
- Do not press the buttons using excessive force.
- Do not stand on top of or place any heavy objects onto the seat cover.
- Use this product for its intended use only, as described in this manual. Do not use any attachments that are not recommended by Brondell.

SAFETY INFORMATION (IMPORTANT SAFEGUARDS)



WARNING

Failure to observe the following warnings may result in electric shock, fire, personal injury, property damage or product damage.

- Never operate this product if it has a damaged cord or plug, if it is not working properly, if it has been dropped or damaged, or dropped into water. Contact the Brondell Service Center for examination and repair.
- Keep the cord away from heated surfaces and heating vents.
- Never block the air openings of the product or place it on a soft surface, such as a bed or couch, where the air openings may be blocked. Keep the air openings free of lint, hair, etc.
- Never drop or insert any object into any opening or hose.
- Do not use the product outdoors or operate where aerosol (spray) products are being used or a room where it could be exposed to oxygen.
- Connect this product to a properly grounded outlet only. Refer to the Grounding Instructions in the next pages of the manual.



CAUTION

Failure to observe the following warnings may result in electric shock, fire, personal injury, property damage or product damage.

- Do not connect the main water supply to the hot water pipe or supply (only connect to the cold water supply).
- After the installation, make sure to check all water supply connections for leaks. Rubber washers should be in place for the water connection hoses & T-valve.
- Do not open/close the seat or seat cover with excessive force.
- Exercise caution that urine does not come into contact with the product - failure to do so may result in bad odors or malfunction.
- If the product will not be used for a long period of time, unplug the power cord, close the main water supply valve, and drain any water in the water tank.
- Do not pull out the bidet hose using excessive force.
- Do not use thinner, benzene, acidic chemicals, chloride, or hydrochloric acid detergent on or near the product. This may result in corrosion to the metal parts or discoloration or scratches to the bidet body.
- This appliance is not intended for use by persons (including children and seniors) with reduced physical, sensory, or mental capabilities, or lack of experience and knowledge, unless they have been given supervision or instruction concerning the use of the appliance by a person responsible for their safety.
- Children should be supervised to ensure that they do not play with the appliance.

SAFETY INFORMATION (IMPORTANT SAFEGUARDS)



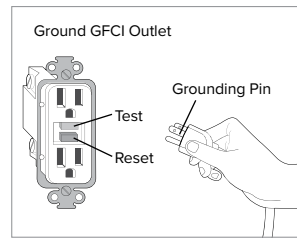
ATTENTION

For those with certain medical or mobility issues in the bathroom, we recommend our Swash 1400 or Swash 1000 bidet seats, as their mounting systems are engineered for the most secure transitions from wheelchairs or walkers.

GROUNDING AND GFCI OUTLET INSTRUCTIONS

This product should only be used with a grounded GFCI (Ground Fault Circuit Interrupter) outlet and a grounded three-prong electrical cord as shown to the right. In the event of an electrical short circuit, using a grounded GFCI outlet reduces the risk of electric shock.

This product is equipped with a grounded cord and is for use on a nominal 120V circuit only (minimum 15 amps) and must be plugged into an outlet that is properly grounded with a GFCI breaker as shown. Replace or repair a damaged cord immediately.



IMPROPER USE OF THE GROUNDING PLUG CAN RESULT IN A RISK OF ELECTRIC SHOCK.

- If repair or replacement of the cord or plug is necessary, do not connect the grounding wire to either flat blade terminal. The wire with green insulation (either with or without a yellow stripe) is the grounding wire.
- Check with a qualified electrician if the grounding instructions are not completely understood, or if there is doubt if the product is properly grounded.



DANGER

Improper use of the grounding plug can result in a risk of electric shock.

SAFETY INFORMATION (IMPORTANT SAFEGUARDS)

OPTIONAL GROUNDING INSTRUCTIONS

This product is for use on a nominal 120V circuit, and has a grounding plug that looks like the plug illustrated in sketch A in Figure 1.

A temporary adapter, which looks like the adapter illustrated in sketches B and C, may be used to connect this plug to a 2-pole receptacle as shown in sketch B if a properly grounded outlet is not available.

The temporary adapter should be used only until a properly grounded outlet (sketch A) can be installed by a qualified electrician.

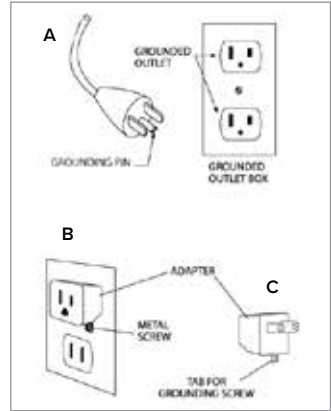


Figure 1

Attach the grounding wire to the grounding screw on the product as shown in sketch D of Figure 2. Attach the other end of the grounding wire to the grounding screw located on the temporary outlet.



DANGER

Do not connect the grounding wire to a non-grounded outlet.

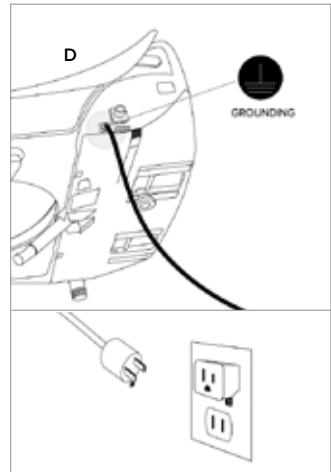


Figure 2

Product Features

Stainless Steel Nozzle

Stainless steel resists soiling and bacterial contamination for enhanced hygiene.

Posterior and Feminine Warm Water Wash

Experience the ultimate in clean with adjustable temperature, position, pressure, massage, and oscillation settings.

Strong Wash

Concentrated stream with adjustable pressure, position, temperature, massage, and oscillation settings.

Positionable Nozzle

The nozzle has five different positions to ensure the most comfortable and complete wash.

Adjustable Water Temperature and Pressure

Front, Rear and Strong wash modes have four available water temperature settings, and five water pressure settings.

Pulse

When activated, the water pressure automatically increases and decreases to provide a pulsating, cleaning spray.

Warm Air Dryer

Includes adjustable temperature with five levels for a hands-free experience and toilet paper reduction – even elimination.

Nozzle Oscillation

The Move function provides a massaging, oscillating cleanse during the wash cycle ensuring a thorough and comfortable wash.

Gentle Wash Function

Activates a preset wash cycle at the softest setting for a gentle clean. A drying cycle will follow.

Ergonomic Heated Seat

With four temperature settings (High/Medium/Low/Off).

Illuminating Nightlight

The cool blue hue of the nightlight means no more blinding lights during midnight trips to the bathroom.

Gentle-Closing Seat and Lid

“Slam free” gentle-closing seat and lid are user friendly.

Eco Mode

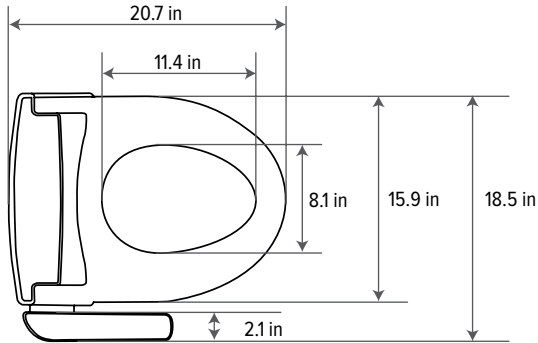
When activated, this function automatically lowers the water and seat temperature to one of two different settings.

Quick-Release Seat

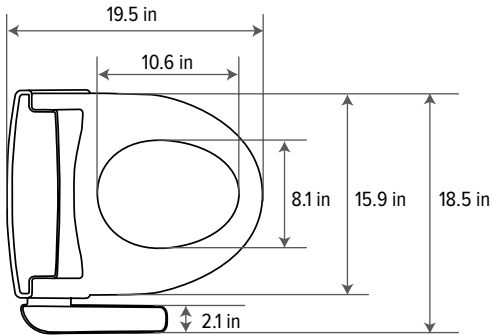
Quick-release button for easy removal and cleaning of seat and toilet.

Product Dimensions

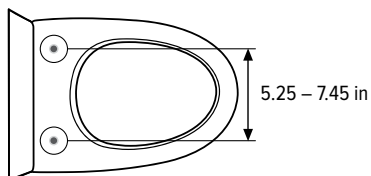
Elongated Top View



Round Top View



Required Distance Between Mounting Holes

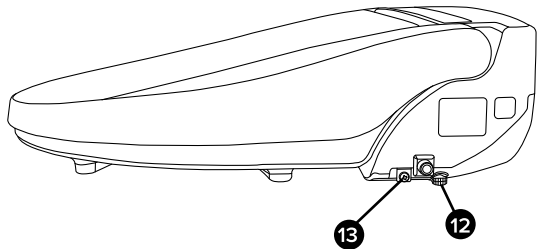
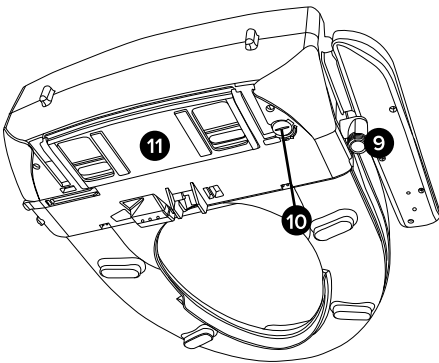
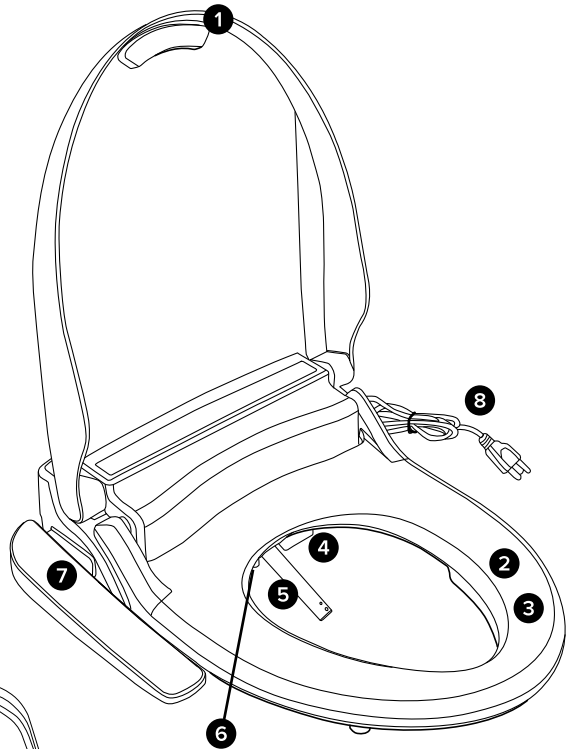


Product Parts

1. Lid
2. Seat Sensor
3. Warm Seat
4. Warm Air Dryer
5. Nozzle Assembly
6. LED Nightlight
7. Control Panel
8. Power Plug

9. Water Inlet with Mesh Filter
10. Drain Plug
11. Mounting Plate

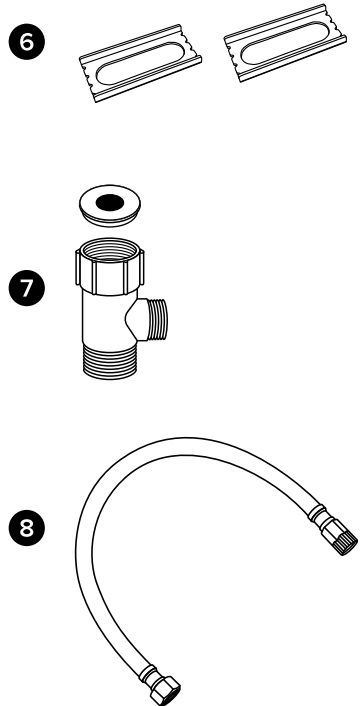
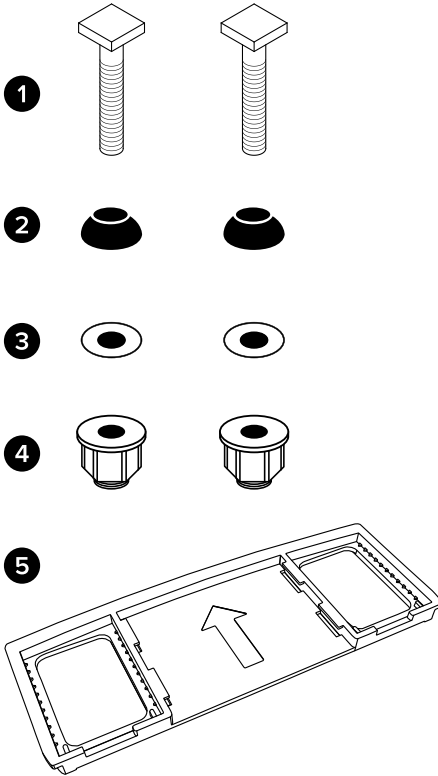
12. Quick-Release
13. Grounding Wire



PRODUCT INSTALLATION

Installation Parts

- 1. Mounting Bolt (2)
- 2. Rubber Cone Washer (2)
- 3. Flat Washer (2)
- 4. Nuts (2)
- 5. Mounting Plate
- 6. Adjustable Brackets (2)
- 7. T-Valve Connector with Rubber Washer
- 8. Bidet Hose



Before Installation



DO NOT PLUG THE PRODUCT IN WHILE THE UNIT IS UPSIDE DOWN

This may cause damage to the internal components.

WATCH OUR INSTALLATION VIDEO

Installation for all Swash products can be found online at brondell.com

CHECK BOLT SPREAD

This bidet seat can only be installed on toilets with a bolt hole spread of 5.25 – 7.45 in. (see Product Dimensions on page 7 for more information).

CHECK FOR TOP MOUNT INSTALLATION

If your fixture only has top-side access to the mounting bolts that hold the seat to the toilet, you will likely need to purchase the Swash Bidet Seat Top Mount Hardware Kit, found on brondell.com.

CHECK FOR A CONCEALED TOILET FILL VALVE

Many modern toilets have sleek designs intended to cover and camouflage plumbing connections, which make a standard Swash installation difficult or impossible. For this, we recommend using our Alternate Swash Bidet Seat T-valve, found on brondell.com.

CHECK WATER SUPPLY LINE

Check the line that connects the toilet tank to the water shut off valve. If it is a rigid pipe, you may need to purchase a flexible hose to replace it before installing the Swash. The length of the hose and the size of the connectors will vary.

RESIDUAL MOISTURE IS NORMAL

Every product is tested with pure water during production to ensure the highest quality and performance. It is normal to find a small amount of residual moisture on the product and in the reservoir and filter.

TOOLS

A Phillips head or standard screwdriver may be needed to remove the existing toilet seat and a standard wrench may be needed for tight water supply connections. Teflon tape can be helpful in creating a water-tight seal between plumbing connections.

Swash Installation

Please read these instructions carefully before installing the Swash. Failure to do so could result in flooding, leaking or damage to the product.

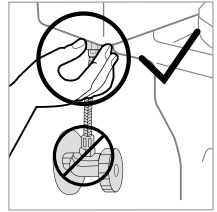
NOTE: Steps may vary by type of seat and toilet

1. Existing Toilet Seat Removal

- Lift hinge covers and use a screwdriver to remove the mounting bolts.
- Remove the toilet seat. Keep for future use.

2. Turn Off Water Supply Valve and Flush Toilet

- Turn water valve off to stop the flow of water.
- Flush toilet and hold down handle to completely empty tank.
- Disconnect water supply hose from toilet tank. Do not disconnect from the water supply valve.



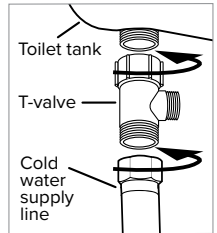
Step 2c

NOTES

- You may wish to place a container under the tank to catch excess water.
- Do not continue without completing the above steps.
- Failure to do so could result in flooding, leaking or damage to the Swash.

3. Connect the top of the T-valve to the incoming water connection on the bottom of your toilet tank.

- Ensure the rubber washer is placed inside the T-valve against the metal with the raised lip facing the toilet tank connection.
- Install the T-valve with the rubber washer to the incoming water connection on the bottom of the toilet tank.



Steps 3-4

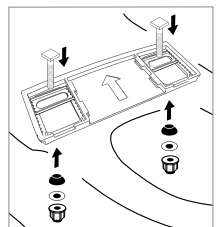
NOTES

- The T-valve connects to the fill valve directly under your toilet tank - it does not connect at the wall.
- Only connect to the cold toilet water supply line.
- If your water supply line is rigid you may need to replace the water supply line before continuing.

4. Connect the water supply line coming from the wall to the bottom of the T-valve.

5. Install Mounting Plate for Standard Installation

- Place mounting plate over mounting holes on toilet, rubber side facing down, arrow pointing to the toilet tank.
- Place adjustable brackets flat side down in the center of the square opening in the mounting plate and insert mounting bolts through adjustable brackets and mounting holes. Be sure that the square mounting bolt head is even with sides of adjustable bracket.



Steps 5b-5c

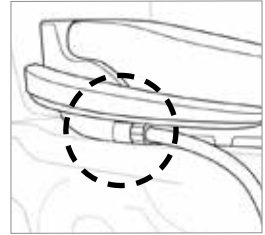
PRODUCT INSTALLATION

Swash Installation

- c. Slide rubber cone washer, flat washer, and then nut onto mounting bolts under the toilet bowl and tighten to keep mounting plate in place.

6. Connect the Bidet Hose to the Seat

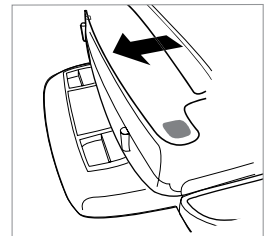
Connect the plastic side of the bidet hose to the water inlet. Hand-tighten to secure. Take care not to twist the bidet hose, excessively bend it, or strip the plastic screw threads when screwing the hose onto the bidet seat.



Step 6

7. Attach the Swash to the Mounting Plate

- a. Set the Swash flat on the toilet bowl in front of the mounting plate, and slide seat onto plate until it is secure.
- b. If the seat appears too short or too long for the toilet, adjust the mounting plate accordingly. To adjust the mounting plate, loosen the nuts underneath the toilet and slide seat forward or backwards as needed. Once the seat is lined up properly, tighten the nuts to hold in place.



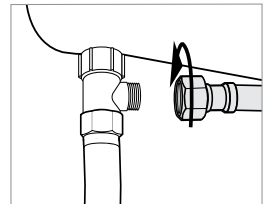
Step 7

8. Connect the open end of the Bidet Hose to the T-valve.

NOTE: For those with mobility issues, we recommend our Swash 1400 or Swash 1000 bidet seats, as their mounting systems are engineered for the most secure transitions from wheelchairs or walkers.

9. Turn On Water Supply

- a. Open the main water supply valve slowly and check for leaks.
- b. Wait 5 minutes, check again and, if there are no leaks, continue.



Step 8

10. Plug the Power Cord into an electrical outlet. Nozzle will extend and retract.

NOTE: Make sure to only use a grounded GFCI (Ground Fault Circuit Interrupter) electrical outlet. In the case of a short circuit, a grounded GFCI outlet may help prevent electric shock or injury.

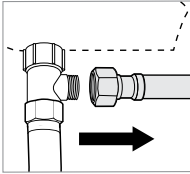
11. Follow instructions on page 16 for using the Swash.

PRODUCT INSTALLATION

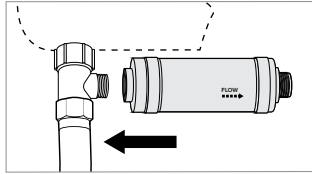
External Bidet Filter Installation

NOTE: Customers with hard water, well water, and softened water can extend the life of their bidet seat by purchasing and installing an external inline water filter to be used with the Swash. The bidet filter should be changed every six months, and can be purchased online at brondell.com.

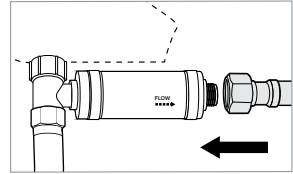
1. Turn Off Water Supply Valve and Flush Toilet.
 - a. Turn water valve off to stop the flow of water.
 - b. Flush toilet and hold down handle to completely empty tank.
2. Disconnect the Bidet Hose from the T-valve.
3. Connect the female end of the Swash Filter to the open T-valve connection.
4. Connect the Bidet Hose to the male end of the Swash Filter.
5. Turn the toilet water supply valve back on.



Step 2

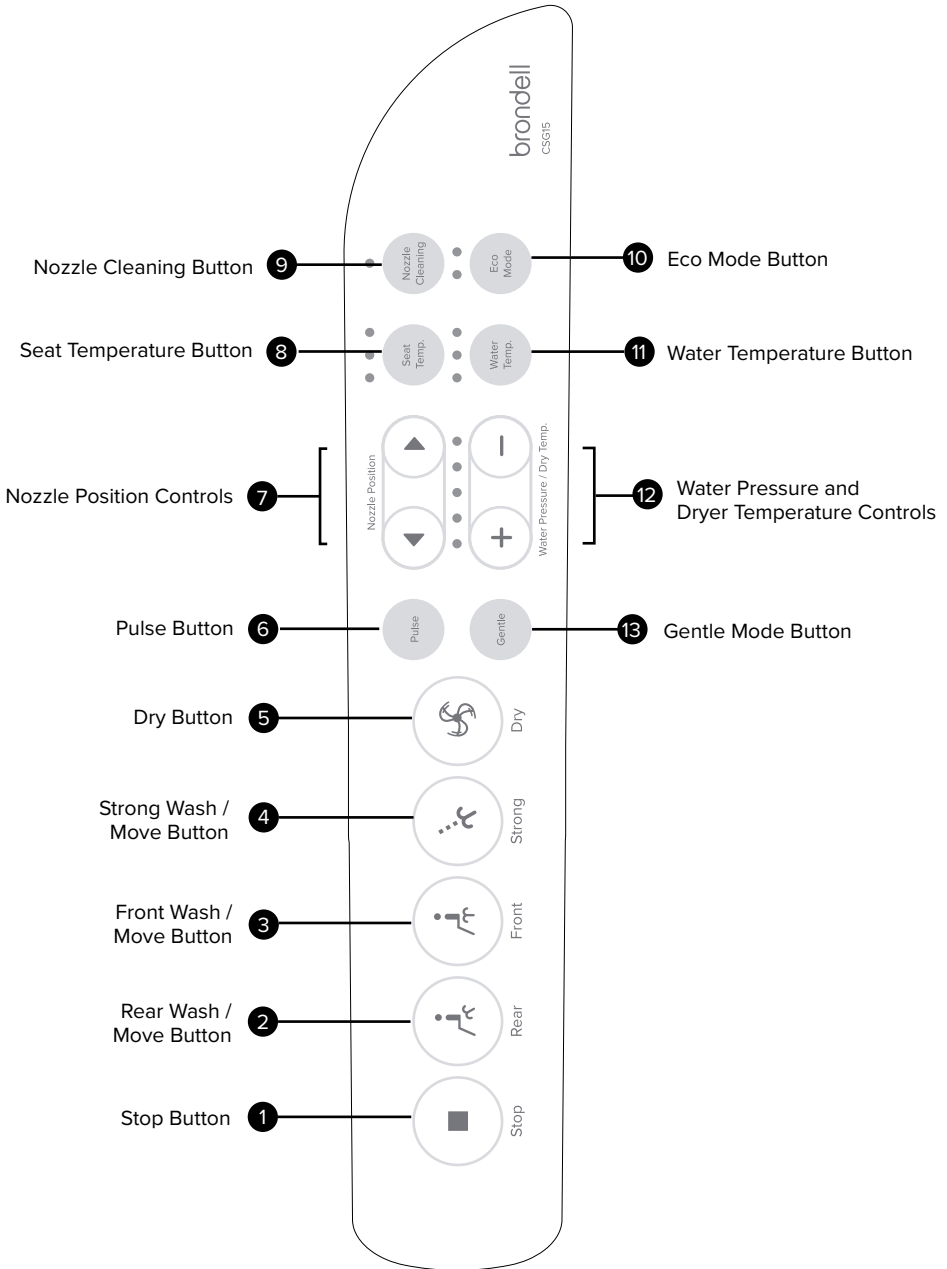


Step 3



Step 4

CSG15 Control Panel



CSG15 Control Panel

1. Stop Button

Stops all wash and dry functions currently operating.

2. Rear Wash / Move Button

Press once to initiate a rear wash. Press again to initiate nozzle oscillation (repetitive forward and backward nozzle movement).

3. Front Wash / Move Button

Press once to initiate a front wash. Press again to initiate nozzle oscillation (repetitive forward and backward nozzle movement).

4. Strong Wash / Move Button

Press once to initiate a strong wash. Press again to initiate nozzle oscillation (repetitive forward and backward nozzle movement).

5. Dry Button

Press once to initiate a two-minute Warm Air Dryer cycle.

6. Pulse Button

Pressing this button while a wash is running enables the water to repeatedly increase and decrease in pressure in a pulsating pattern.

7. Nozzle Position Buttons

Press the up and down arrow buttons to adjust the nozzle position forward and backward during a wash cycle.

8. Seat Temperature Button and Indicators

Press and release the Seat Temp button to adjust the seat temperature to one of four settings (Low: 93.2°F, Medium: 100.4°F, High: 107.6°F, and Off). Settings will be saved for the next use.

9. Nozzle Cleaning Button

Press this button to initiate Nozzle Cleaning when not sitting on the seat, or while seat sensor is deactivated. For more nozzle maintenance see page 20.

10. Eco Mode Button and Indicator

Press and release the Eco Mode button to select between two energy-saving options (Standard, High-Efficiency). See page 17 for more information.

11. Water Temperature Button and Indicators

Press and release the Water Temp button to adjust the outgoing water temperature to one of four settings (Low: 91.4°F, Medium: 96.8°F, High: 102.2°F, and Off). Settings will be saved for the next use.

12. Water Pressure and

Dry Temperature Controls

Press the “+” and “-” buttons to increase and decrease the outgoing water pressure to one of five settings. Pressing these buttons while the Warm Air Dryer is operating will adjust the drying temperature. For Front Wash, Rear Wash and Dry, settings will be saved for next use. For Strong Wash, the highest pressure settings will default for all uses.

13. Gentle Mode Button

Press this button to initiate a two-minute gentle wash cycle followed by a two-minute dry cycle. See page 16 for more information.

Using the CSG15

NOTE: The wash functions will not work unless the sensor in the seat detects someone sitting down (with the built-in skin conductivity sensor). To override the Seat Sensor, please see the instructions on page 17.

Prepare for Wash

Sit on the seat to ensure skin-to-seat contact on the Seat Sensor. Once contact is made the water pressure indicator lights will turn on.

Warm Water Wash

When ready to wash, press the Rear Wash, Front Wash, or Strong Wash button on the control panel one time to initiate a wash. The nozzle will self-clean, extend into the toilet bowl, spray for two minutes, turn off automatically, retract, and self-clean once again.

1. Pressing the Rear Wash, Front Wash, or Strong Wash button a second time while the wash is running will cause the nozzle to oscillate forward and backward, providing a wider range of wash spray. Press again to cancel the Move function.
2. While washing, users can adjust the water temperature, pressure, and nozzle position settings, as well as initiate the Pulse feature by following the notes on page 15.
3. If you would like to stop the wash before the two-minute cycle ends, press the Stop button to discontinue water flow.
4. After extended use the water may decrease in temperature if a Low, Medium, or High water temperature setting is selected. To regain warmer water, stop all wash functions for three minutes to allow the bidet to reheat the water.

Warm Air Dryer Function

Press the Dry button to activate the Warm Air Dryer. The dryer will run for two minutes and turn off automatically.

1. While the air dryer is operating, users can adjust the dryer temperature to a comfortable level using the Dry Temp “+” and “-” buttons. The dry temperature will be reflected on the five indicator LEDs.
2. If you would like to stop the dryer before the two minutes has elapsed, press Stop.

Gentle Mode

All settings within Gentle Mode are 40% softer than standard wash modes.

Once activated, gentle mode will begin a two-minute wash including:

- Full nozzle extension
- Water Pressure set to low
- Front Wash for one minute, Nozzle Oscillation for 30 seconds, then Pulse for 30 seconds

After the wash cycle is over, Gentle Mode will initiate a two minute Warm Air Dry cycle on Level Two.

NOTE: While the Gentle Mode cycle is running, the Water Pressure setting is adjustable. Dryer settings are also adjustable during the Gentle Mode.

Special Mode Operations

Eco Mode

In this mode, the water in the tank and the seat temperature can be reduced to one of two different energy-saving settings.

Standard Eco Mode: Press the Eco Mode button until the yellow indicator light is on for Low energy-saving, and the seat and water temperature will be heated to 89.6 °F. Once a person sits on the bidet, the Swash will revert to the last seat and water temperature settings used. Press the Eco Mode button until there are no indicator lights on to deactivate Eco Mode.

High-Efficiency Eco Mode: Press the Eco Mode button until the green indicator light is on for High energy-saving, and the seat and water temperature will turn off when the bidet is not in use. Once a person sits on the bidet, the Swash will revert to the last seat and water temperature settings used. Press the Eco Mode button until there are no indicator lights on to deactivate Eco Mode.

Sitz Bath Mode

In Sitz Bath Mode, water pressure is switched to the lowest level regardless of the preset water pressure settings. To initiate Sitz Bath Mode, while in a front or rear wash cycle, press the Nozzle Cleaning button. Sitz Bath Mode will automatically run for five minutes. The Nozzle Cleaning LED on the side arm will light up indicating Sitz Bath Mode is on. To stop the Sitz Bath Mode before the end of the five-minute cycle, press the Nozzle Cleaning button.

Seat Sensor Override

1. To activate the Seat Sensor Override, press and hold the Pulse button for four seconds. A beep will sound to indicate that the seat sensor has been turned off. If the Swash is in Silent Mode, there will not be a beep. The Nozzle Position and Water Pressure/Dry Temp lights will stay on as long as Seat Sensor Override is activated.
2. To deactivate the Seat Sensor Override, press and hold the Pulse button for four seconds. Two beeps will sound and the Nozzle Position and Water Pressure/Dry Temp lights will turn off.

NOTES

- Activation or deactivation of Seat Sensor Override is not possible when seated.
- The Swash cannot be put into Silent Mode while Seat Sensor Override is activated.
- Nozzle Cleaning function will not work when Seat Sensor Override is activated. To initiate Nozzle Cleaning you must first deactivate Seat Sensor Override.

Special Mode Operations

Activating / Deactivating Silent Mode

1. To activate Silent Mode, press and hold the “ – “ Water Pressure/Dry Temp button for four seconds. A beep will sound to indicate that Silent Mode has been activated.
2. To deactivate Silent Mode, press and hold the “ – “ Water Pressure/Dry Temp button for four seconds. Two beeps will sound to indicate that Silent Mode has been deactivated.

Activating / Deactivating Nightlight

The Nightlight is activated at the factory by default.

1. To deactivate the Nightlight, press and hold “+” for four seconds. This function cannot be performed while sitting on the seat.
2. To activate the Nightlight, press and hold “+” for four seconds. This function cannot be performed while sitting on the seat.

Sleep Mode

In Sleep Mode, the Swash essentially powers down. The Nightlight and the side arm lights, the seat heater and the water heater will turn off.

1. To activate Sleep Mode, press and hold the Stop button for four seconds. The unit will power down.
2. To awaken the Swash from Sleep Mode, press the Stop, Front, or Strong button.

Factory Default Reset

It is possible to reset the Swash to Factory Default settings.

To reset the Factory Default settings, press and hold the Stop button for ten seconds. A beep will sound at two seconds indicating the beginning of the reset process and another beep will sound at four seconds indicating the reset is activated.

Automatic Tank Draining

1. To prevent stagnation, water in the warm water storage tank can be set to drain and refill itself if the seat hasn't been used in 48 hours.
2. To program this feature, press “Stop” and “Water Temp.” at the same time and hold buttons for four seconds.

Product Specifications

BRONDELL SWASH ADVANCED BIDET SEAT

| | |
|-----------------------------------|---|
| Model | CSG15-EW, CSG15-RW |
| Power Voltage | 120V / 60Hz |
| Max Power Consumption | 870W |
| Supply Water Pressure | 9.95 psi – 106.7 psi |
| Dimensions | Elongated: 18.5 in x 20.7 in x 5.7 in / Round: 18.5 in x 19.5 in x 5.7 in |
| Weight | Elongated: 11.68 lbs / Round: 11.24 lbs |
| Incoming Water Temperature | 37.4°F – 104°F |
| Mesh Filter | 0.51 in x 0.44 in diameter |
| Seat Weight Limit | 330 lbs |
| Lid Weight Limit | 160 lbs |

WARM WATER WASHING DEVICE


| | |
|-------------------------------------|---|
| Rear Wash | Maximum 0.8 L/min., automatic nozzle self-cleaning |
| Front Wash | Maximum 0.8 L/min., automatic nozzle self-cleaning |
| Strong Wash | Maximum 0.6 L/min., automatic nozzle self-cleaning |
| Standard Time | Rear Wash: 2 minutes, Front Wash: 2 minutes, Strong Wash: 2 minutes |
| Water Pressure Control | 5 Levels |
| Water Temperature Control | 4 Levels: Off - incoming water temperature, Low – 91.4°F, Medium – 96.8°F, High – 102.2°F |
| Max Heater Power Consumption | 800W |
| Safety Devices | Thermal Fuse, Thermostat, Water Level Sensor, Thermal Sensor, Bi-metal |

HEATED SEAT

| | |
|-------------------------------------|---|
| Seat Temperature Control | 4 Levels: Off - room temperature Low – 93.2°F, Medium – 100.4°F, High – 107.6°F |
| Max Heater Power Consumption | 55W |
| Safety Devices | Thermostat, Thermal Fuse, Thermal Sensor, Seat Occupied Sensor |

NOTE: The specifications listed above are subject to change without prior notice for reasons of improving the product performance.

Seat Cleaning & Removal, Nozzle Cleaning

 Unplug the Swash from the power source before cleaning or removing the seat.

Seat Cleaning & Removal

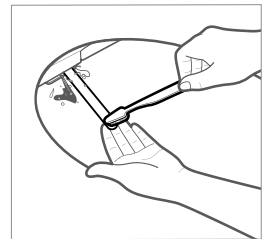
Use a soft, damp cloth and mild cleanser (such as dish soap, Simple Green or Windex) to wipe down the seat. DO NOT scrub or use harsh, abrasive products to clean the Swash. DO NOT use thinner, benzene, acidic chemicals, chloride, or hydrochloric acid detergent. This may result in corrosion to the metal parts or discoloration or scratches to the bidet body.

For a more thorough cleaning, you may remove the Swash. To remove the bidet, press the Quick Release button and slide the seat forward off of the mounting plate and toilet.

NOTE: Be cautious of leaving home and beauty products in contact with the bidet seat, the result of which can be irreversible discoloration. Most stains can be removed using a 1:1 mix of rubbing alcohol and water and a soft cloth or towel. However, some permanent stains are the result of substances left on the seat while the seat heater was activated. Be cautious of home and beauty products (including but not limited to various hair and air freshener sprays, lotions, body wash, skin tanners, body butters, and oils) that come in contact with the seat. Wash off any substances that come in contact with the seat as soon as possible. If necessary, replacement seat parts can be purchased through Brondell customer support.

Nozzle Cleaning

1. Press the Nozzle Cleaning button on the control panel. The nozzle will extend into the toilet bowl and self-clean three times. The nozzle will stop cleaning and stay extended to allow for manual cleaning.
2. Gently clean the nozzle manually with a soft cloth or toothbrush.
3. Press the Nozzle Cleaning button again. The nozzle will self-clean three times and retract.



Step 2

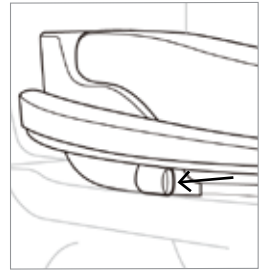
NOTE: The Nozzle Cleaning function will not work if the seat is occupied, or if the Seat Sensor has been overridden.

Cleaning the Mesh Filter & Product Storage

Cleaning the Mesh Filter

Cleaning intervals will differ depending on use and water quality. It is recommended to check the filter at least once a year.

1. Turn off the water supply and hold the toilet's flush lever down until all of the water has drained from the tank.
2. Unplug the Swash, remove the bidet from the toilet, and disconnect the bidet hose. You may want to use a bucket to catch any dripping water from the bidet hose.
3. Remove the Mesh Filter from the water inlet with a pair of tweezers or needle-nosed pliers.
4. Clean the filter with a toothbrush while running it under tap water to effectively remove any foreign substances or build-up.
5. Replace the Mesh Filter and carefully check that it is installed correctly. If improperly installed, it could result in the product leaking water.
6. Reconnect the bidet hose and place the seat back on the toilet. Plug the cord back in, and turn the water supply back on.



Step 3

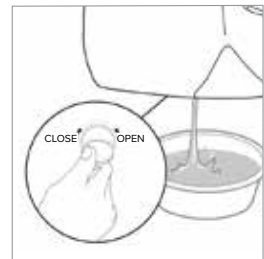
Product Storage

Short Term Non-Use

If the product will not be used for more than a few weeks, you can simply unplug it. You may also consider shutting the water supply off at the wall for extra precaution.

Long Term Non-Use

If the product will not be used for an extended time (longer than four months), you should unplug the unit, shut the water supply off at the wall, and remove the Swash from the toilet. To remove the bidet, press the Quick Release button and slide the seat forward off of the mounting plate and toilet. Remove the bidet hose. To drain the Hot Water Heater, use a coin to unscrew the drain plug on the bottom of the bidet seat, turning the plug clockwise by 90 degrees towards "OPEN." Using your finger, gently release the plug from the body of the seat. When the water is completely drained, push the plug back in place and lock the drain plug into position.



Troubleshooting

If the bidet appears to be operating abnormally, please review the troubleshooting tips before calling the Brondell Service Center as most issues are easily resolved with a few simple steps. If you are unable to resolve the issue after checking the following items, please call the Service Center at **888-542-3355**, Mon–Fri, 9am–5pm PST, or email us at support@brondell.com.

Check before continuing:

- Make sure the Swash is connected to power and that the outlet is working properly.
- Make sure you check & test the reset button on the GFCI outlet (Standard 120V GFCI outlet).
- Make sure the main water supply valve is open.
- Make sure the seat is not in Standard or High-Efficiency Eco Mode.
- Confirm there are no leaks from hoses or water supply.
- Make sure Mesh Filter is clean and free of build up or debris (see maintenance section on page 21).

After checking items above, refer to the following troubleshooting chart for additional solutions.

| Problem | Possible Cause(s) | Solution(s) |
|-----------------------------------|---|---|
| The bidet seat is not working | 1. Bidet not plugged in | 1. Make sure the bidet is plugged in. |
| | 2. Water supply valve not opened fully | 2. Check that the water supply valve at the wall is fully open. |
| | 3. No power to Swash | 3. Check and reset GFCI outlet. |
| | 4. The incoming water is too hot | 4. Ensure that the bidet seat is connected to the cold water supply. |
| | 5. Not activating Seat Sensor | 5a. Adjust sitting position to fully cover the Seat Sensor. 5b. Override the Seat Sensor (see page 17). |
| Product shuts off during use | 1. Washing time exceeded the cycle time | 1. The wash cycles run for two minutes. Press the wash button after the wash has finished to continue the wash cycle. |
| | 2. Power failure | 2. Check and reset GFCI outlet. |
| | 3. Not activating Seat Sensor | 3a. Adjust sitting position to fully cover the Seat Sensor. 3b. Override the Seat Sensor (see page 17). |
| Nozzle does not function properly | 1. Nozzle is dirty | 1. Clean the nozzle (see page 20). |
| | 2. Clogged filter | 2. Remove, clean, and reinstall mesh filter (see page 21). |
| | 3. Water pressure is too low | 3. Check water supply valve at wall is fully open. |
| | 4. External bidet filter | 4. If you have an external bidet filter, check and replace if necessary. |

Troubleshooting

| Problem | Possible Cause(s) | Solution(s) |
|--|--|---|
| Low water flow or spray pressure | 1. Clogged filter | 1. Remove, clean, and reinstall mesh filter (see maintenance section on page 21). |
| | 2. Water supply valve not opened fully | 2. Check that the water supply valve at wall is fully open. |
| | 3. Nozzle is dirty | 3. Clean the nozzle (see page 20). |
| | 4. External bidet filter | 4. If you have an external bidet filter, check and replace if necessary. |
| | 5. Pressure settings | 5a. Increase the water pressure settings. 5b. Check if connection hose is bent. |
| Water Temperature is low | 1. Water comes out cold | 1a. The Water temperature level is turned off or set to Low. Adjust temperature on control panel. 1b. Turn off High-Efficiency Eco Mode. |
| | 2. Water comes out lukewarm | 2. Turn off Standard Eco Mode. |
| | 3. Water starts out hot but decreases in temperature | 3. Warm water can be used for about 90 seconds at the Medium setting. Stop all wash functions to allow the heater to warm the water. |
| Wash features do not work or fail to spray | 1. Not activating Seat Sensor | 1a. Adjust sitting position to fully cover the Seat Sensor. 1b. Override the Seat Sensor (see page 17). |
| | | |
| Water (wash spray) not heated | 1. Water temperature set to off | 1. Make sure that the Water temperature setting is on. |
| | 2. Resettable fuse blown | 2. The bimetal resettable fuse may blow if the temperature exceeds over the normal level. The bidet will not work and show an error message until the bidet cools down. |
| | 3. Eco Mode set to High-Efficiency | 3. Turn Eco Mode off or change setting to Standard Eco Mode. |
| Water flows before or after use | 1. Water coming from nozzle | 1a. The water that comes out between the nozzle before or after a wash cycle is the self-clean cycle and is not a malfunction. 1b. Residual water may drip into the bowl for several seconds after a wash cycle or self-clean cycle, and is not a malfunction. |
| | | |

Troubleshooting

| Problem | Possible Cause(s) | Solution(s) |
|--|---|---|
| Water leaks from areas other than the nozzle | 1. Water leaking from the T-valve | 1. Make sure that the rubber gasket is inserted correctly into the T-valve (flat side down with lip pointing up towards the toilet tank connection) and firmly tighten the connector. |
| | 2. Water leaking from the bidet hose connection | 2. Make sure that the bidet hose is correctly connected and tight. Check any rubber washers and do not over tighten. |
| | 3. Water leaking from under the seat | 3. Check if there is anything between the mesh filter and bidet. Remove, clean, and reinstall mesh filter. Check if the filter is damaged (see maintenance section on page 21). |
| | 4. Water leaking from behind the seat | 4. Check the water tank plug in the back of the seat (see maintenance section under product storage and use on page 21). |
| Water Temp lights blinking | 1. Water supply not connected properly | 1. Make sure that the bidet hose is correctly connected and tight. |
| Seat is not heated | 1. Seat temperature set to off | 1. Make sure that the Seat temperature setting is on. |
| | 2. Eco Mode set to High-Efficiency | 2. Turn Eco Mode off or change to Standard Eco Mode. |

Warranty

Brondell products are backed by some of the most comprehensive warranties in the industry. Brondell warrants that all products (excluding consumable items) shall be free from defects in material and workmanship under normal use and service.

CSG15 Residential One-Year Limited Warranty

100% Coverage of all parts and labor for the entire product (excluding consumable filters) for the first year from original date of purchase.

CSG15 Commercial Warranty

Warranty period one year from original purchase date for all Brondell products. Warranties may not apply to products that are used for heavy commercial, hospital, or other high use non-residential applications.

Exclusions and Limitations

1. BRONDELL warrants its products to be free from manufacturing defects under normal use and service. This warranty is extended only to the ORIGINAL PURCHASER.
2. BRONDELL's obligations under this warranty are limited to repairs or replacement, at BRONDELL's option, of products or parts found to be defective, provided that such products were properly installed and used in accordance with instructions. BRONDELL reserves the right to make such inspections as may be necessary in order to determine the cause of the defect. BRONDELL will not charge for labor or parts in connection with warranty repairs for the first year from date of purchase on all products except those that may be subject to commercial use limitations.
3. BRONDELL is not responsible for the cost of removal, return (shipping) and/or re-installation of products. This warranty does NOT apply to:
 - Damage or loss which occurs during shipment.
 - Damage or loss sustained through any natural or man-made causes beyond the control of BRONDELL, including but not limited to fire, earthquake, floods, etc.
 - Damage or loss resulting from sediments or foreign matter contained in a water system.
 - Damage or loss resulting from negligent or improper installation including installation of a unit in a harsh or hazardous environment.
 - Damage or loss resulting from removal, improper repair, modification of the product, or improper maintenance including damage caused by chlorine or chlorine related products
 - Damage or loss resulting from electrical surges, electrical outages, lightning strikes, or other acts which are not the fault of Brondell or which the Product is not specified to tolerate.
4. This warranty gives you specific legal rights. You may have other rights which vary from state to state. THIS WRITTEN WARRANTY IS THE ONLY WARRANTY MADE BY BRONDELL. REPAIR OR REPLACEMENT AS PROVIDED UNDER THIS WARRANTY SHALL BE THE EXCLUSIVE REMEDY AVAILABLE TO THE PURCHASER. BRONDELL SHALL NOT BE RESPONSIBLE FOR LOSS OF USE OF THE PRODUCT OR FOR OTHER INCIDENTAL, SPECIAL, FOR CONSEQUENTIAL DAMAGES OR EXPENSES INCURRED BY THE PURCHASER OR FOR LABOR OR OTHER COSTS DUE TO INSTALLATION OR REMOVAL OR COSTS OF REPAIRS BY OTHERS, OR FOR ANY OTHER EXPENSE NOT SPECIFICALLY STATED ABOVE. EXCEPT TO THE EXTENT PROHIBITED BY APPLICABLE LAW, ANY IMPLIED WARRANTIES, INCLUDING THAT OF MERCHANTABILITY, ARE EXPRESSLY LIMITED TO THE DURATION OF THIS WARRANTY. SOME STATES DO NOT ALLOW LIMITATIONS, SO THE ABOVE LIMITATION AND EXCLUSION MAY NOT APPLY TO YOU.

How to Obtain Service

To obtain repair service under this warranty, you must contact an authorized BRONDELL Service Center to obtain an RMA (Return Merchandise Authorization) number. Proof of purchase in the form of a copy of the original receipt must accompany the returned unit for the warranty to be valid. Take or ship the unit pre-paid to the closest Brondell authorized service center along with the RMA number and proof of purchase.

To obtain the RMA number and locate the BRONDELL Service Center location nearest you, please call **1-888-542-3355**, Mon–Fri, 9am–5pm PST.

brondell®

a healthy home experience

CONTACT:

Brondell, Inc.
PO Box 470085
San Francisco, CA 94147-0085

Email: support@brondell.com

Web: www.brondell.com

For questions, contact
Brondell Customer Service:
1-888-542-3355
Monday – Friday
9am – 5pm PST

MANUFACTURED BY:

Brondell, Inc.
PO Box 470085
San Francisco, CA 94147-0085

Made in Korea

**Please retain receipt records for any
warranty claims.**

Índice

Este manual incluye información importante de seguridad. Lea este manual atentamente antes de usar el bidé y guárdelo para consultarlo en el futuro.

INFORMACIÓN GENERAL

- 28 INFORMACIÓN DE SEGURIDAD
- 33 INFORMACIÓN DEL PRODUCTO
- 33 Características del Producto
- 34 Dimensiones del Producto
- 35 Piezas del Producto

INSTALACIÓN DEL PRODUCTO

- 36 INSTALACIÓN DEL PRODUCTO
- 36 Piezas de Instalación
- 37 Antes de la Instalación
- 38 Instalación del Swash
- 40 Instalación del Filtro de Bidé Externo

FUNCIONAMIENTO DEL PRODUCTO

- 41 FUNCIONAMIENTO DEL SWASH
- 41 Panel de Control CSG15
- 43 Cómo Usar el CSG15
- 44 Funcionamiento en Modo Especial

INFORMACIÓN TÉCNICA

- 46 ESPECIFICACIONES DEL PRODUCTO
- 47 MANTENIMIENTO
- 47 Limpieza y Desmontaje del Asiento
- 47 Limpieza de la Boquilla
- 48 Limpieza del Filtro de Malla
- 48 Almacenamiento del Producto
- 49 SOLUCIÓN DE PROBLEMAS
- 52 GARANTÍA
- 53 CONTACTO


TRADUCCIONES


- 1 INGLÉS
- 54 FRANCÉS


INFORMACIÓN DE SEGURIDAD (PRECAUCIONES IMPORTANTES)

LEA LAS INSTRUCCIONES ANTES DE USAR

TENGA CUIDADO DE GUARDAR ESTA INFORMACIÓN DE SEGURIDAD. LEA ESTA INFORMACIÓN PARA PREVENIR PÉRDIDAS MATERIALES Y GARANTIZAR LA SEGURIDAD.

 **PELIGRO:** Si no se sigue esta indicación, pueden causarse lesiones físicas o daños materiales.

 **ADVERTENCIA:** Si no se sigue esta indicación, pueden causarse lesiones físicas graves o daños materiales.

 **ATENCIÓN:** Si no se sigue esta indicación, pueden causarse lesiones físicas graves o daños materiales leves.



PELIGRO

El incumplimiento de las siguientes advertencias puede provocar descargas eléctricas, incendios, lesiones personales, daños a la propiedad o daños al producto.

- No utilice un enchufe eléctrico que esté dañado o suelto.
- No mueva el producto tirando del cable eléctrico.
- No manipule el producto o el enchufe con las manos mojadas.
- No doble con fuerza el cable eléctrico ni coloque objetos pesados sobre él para evitar que se dañe o se deforme.
- Evite conectar y desconectar el enchufe o el cable de alimentación repetidamente.
- Desenchufe el producto antes de limpiar, reparar, inspeccionar o reemplazar piezas.
- Elimine el polvo o el agua del enchufe eléctrico antes de enchufarlo.
- No conecte el producto a un enchufe o a una regleta de alimentación que estén utilizando demasiados productos. Use un enchufe eléctrico adecuado para la potencia del producto con una capacidad mínima de 15 amperios.
- Si el cable eléctrico está dañado, no intente repararlo, modificarlo o reemplazarlo usted mismo. Comuníquese gratis con el Centro de Servicio de Brondell al **888-542-3355** o envíenos un correo electrónico a través de nuestro sitio web.
- Si el producto emite algún ruido extraño, olor a quemado o humo, desconéctelo inmediatamente del enchufe y comuníquese con Brondell. De lo contrario, se pueden producir descargas eléctricas o incendios.
- No inserte ningún cable u objeto punzante en ningún espacio del producto. Esto puede provocar descargas eléctricas, incendios o daños al producto.
- No coloque un calentador eléctrico o de gas cerca del producto ni deseché en el inodoro ningún material encendido, por ejemplo cigarrillos. Esto puede provocar incendios o deformación del

INFORMACIÓN DE SEGURIDAD (PRECAUCIONES IMPORTANTES)



PELIGRO

El incumplimiento de las siguientes advertencias puede provocar descargas eléctricas, incendios, lesiones personales, daños a la propiedad o daños al producto.

- producto. No coloque ningún recipiente lleno de agua u otros líquidos, alimentos, objetos metálicos o cualquier material inflamable encima del producto. Si entra algún material extraño en el producto, pueden ocurrir descargas eléctricas o incendios.
- No utilice el producto en lugares expuestos a humedad excesiva y no salpique agua sobre el producto.
- Mientras limpia el baño, desenchufe el producto y verifique que el agua o los productos de limpieza no salpiquen el bidé. De lo contrario, se pueden producir descargas eléctricas o incendios.
- Si entra algún material extraño en el producto, desenchufe el producto, cierre la válvula de agua principal y llame al Centro de servicio de Brondell.
- No desmonte, repare ni modifique el producto usted mismo.
- No use el producto mientras permanezca mojado luego del baño o la ducha.
- No coloque ni guarde el producto donde pueda caerse o ser empujado a una bañera o lavabo.
- No coloque ni deje caer el producto en agua u otro líquido.
- No intente alcanzar el producto si se ha caído al agua. Desenchufe el producto inmediatamente y llame al Centro de servicio de Brondell.
- No utilice el producto si no funciona correctamente. Desenchufe el producto inmediatamente, cierre la válvula principal de suministro de agua y llame al Centro de servicio de Brondell al **888-542-3355**. De lo contrario, se pueden producir descargas eléctricas, incendios o inundaciones.



ADVERTENCIA

El incumplimiento de las siguientes advertencias puede provocar descargas eléctricas, incendios, lesiones personales, daños a la propiedad o daños al producto.

- No enchufe, opere ni almacene la unidad en lugares donde se usen o guarden materiales inflamables o combustibles.
- No use agua industrial o residual para el suministro, ya que esto puede causar daños a la piel o enfermedades.
- Cierre la válvula principal de suministro de agua cuando limpie el producto.
- Para niños y adultos mayores que pueden tener dificultades para ajustar la temperatura o aquellos con piel sensible o sensibilidad al calor alterada, ajuste la temperatura del rociador de lavado y el asiento a "bajo" o "apagado" para evitar quemaduras.
- Es necesaria una estrecha supervisión cuando este producto es utilizado por niños, personas mayores o personas que necesiten asistencia general.
- No presione los botones con fuerza excesiva.
- No se pare encima ni coloque objetos pesados sobre la funda del asiento.
- Use este producto únicamente para su uso previsto, como se describe en este manual. No utilice ningún accesorio que no esté recomendado por Brondell.

INFORMACIÓN DE SEGURIDAD (PRECAUCIONES IMPORTANTES)



ADVERTENCIA

El incumplimiento de las siguientes advertencias puede provocar descargas eléctricas, incendios, lesiones personales, daños a la propiedad o daños al producto.

- Nunca use este producto si tiene un cable o enchufe dañado, si no funciona correctamente, si se ha caído o dañado, o si se ha caído al agua. Póngase en contacto con el Centro de servicio de Brondell para su revisión y reparación.
- Mantenga el cable alejado de superficies calientes y conductos de ventilación.
- Nunca bloquee las aberturas de aire del producto ni lo coloque sobre una superficie blanda, como una cama o un sofá, donde las aberturas de aire puedan estar bloqueadas. Mantenga las aberturas de aire libres de pelusa, cabello, etc.
- Nunca deje caer ni inserte ningún objeto en ninguna abertura o manguera.
- No utilice el producto al aire libre; tampoco lo ponga en funcionamiento en lugares donde se estén utilizando productos en aerosol (spray) o en una habitación donde pueda estar expuesto al oxígeno.
- Conecte este producto únicamente a un enchufe con conexión a tierra. Consulte las Instrucciones de conexión a tierra en las páginas siguientes del manual.



ATENCIÓN

El incumplimiento de las siguientes advertencias puede provocar descargas eléctricas, incendios, lesiones personales, daños a la propiedad o daños al producto.

- No conecte el suministro de agua principal a la tubería o suministro de agua caliente (solo conéctelo al suministro de agua fría).
- Después de la instalación, revise todas las conexiones de suministro de agua para detectar fugas. Las arandelas de goma deben estar en su lugar para las mangueras de conexión de agua y válvula en T.
- No abra / cierre el asiento o la cubierta del asiento con demasiada fuerza.
- Tenga cuidado de que la orina no entre en contacto con el producto; si ocurriera, puede provocar malos olores o un mal funcionamiento.
- Si el producto no se utilizará durante un período prolongado, desconecte el cable eléctrico, cierre la válvula principal de suministro de agua y drene el agua en el tanque de agua.
- No tire de la manguera del bidé con demasiada fuerza.
- No use disolventes, benceno, productos químicos ácidos, cloruro o detergente de ácido clorhídrico sobre o cerca del producto. Esto puede provocar corrosión en las partes metálicas o decoloración o rayones en el cuerpo del bidé.
- Este electrodoméstico no está diseñado para ser utilizado por personas (incluidos niños y personas de la tercera edad) con capacidades físicas, sensoriales o mentales reducidas, o con falta de experiencia y conocimiento, a menos que una persona responsable las supervise o les haya dado instrucciones sobre el uso del electrodoméstico.
- Los niños deben ser supervisados para evitar que no jueguen con el aparato.

INFORMACIÓN DE SEGURIDAD (PRECAUCIONES IMPORTANTES)

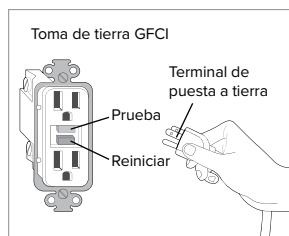
⚠️ ATENCIÓN

Para las personas con algunos problemas médicos o de movilidad en el baño, recomendamos nuestros asientos de bidé Swash 1400 o Swash 1000, ya que sus sistemas de montaje están diseñados para realizar transiciones más seguras desde sillas de ruedas o andadores.

INSTRUCCIONES DE CONEXIÓN A TIERRA Y GFCI

Este producto solo debe usarse con un tomacorriente con conexión a tierra GFCI (Interruptor de circuito de falla a tierra) y un cable eléctrico de tres terminales con conexión a tierra, como se muestra a la derecha. En el caso de que se produzca un cortocircuito eléctrico, el uso de un tomacorriente con conexión a tierra reduce el riesgo de descarga eléctrica.

Este producto está equipado con un cable con conexión a tierra y solo se debe usar en un circuito con tensión nominal de 120 V (con una capacidad mínima de 15 amperios) y debe conectarse a un enchufe que esté debidamente conectado a tierra con un interruptor GFCI como se muestra. Reemplace o repare un cable dañado de inmediato.



⚠️ EL USO INCORRECTO DEL ENCHUFE CON CONEXIÓN A TIERRA PUEDE RESULTAR EN UN RIESGO DE DESCARGA ELÉCTRICA.

- Si es necesario reparar o reemplazar el cable o el enchufe, no conecte el cable a tierra a ninguno de los terminales de la cuchilla plana. El cable con aislamiento verde (con o sin una franja amarilla) es el cable de conexión a tierra.
- Verifique con un electricista calificado si las instrucciones de conexión a tierra no se entienden completamente o si hay dudas sobre si el producto está correctamente conectado a tierra.

⚠️ PELIGRO

El uso incorrecto del enchufe de conexión a tierra puede provocar un riesgo de descarga eléctrica.

INFORMACIÓN DE SEGURIDAD (PRECAUCIONES IMPORTANTES)

INSTRUCCIONES OPCIONALES DE CONEXIÓN A TIERRA

Este producto se utiliza en un circuito con tensión nominal de 120V y tiene un enchufe de conexión a tierra que se parece al enchufe ilustrado en el diagrama A en la Figura 1.

Se puede usar un adaptador temporal, que se parece al adaptador ilustrado en los bocetos B y C, para conectar este enchufe a un receptáculo de 2 polos como se muestra en el diagrama B si no hay una toma de corriente con conexión a tierra.

El adaptador temporal debe usarse solo hasta que un electricista calificado pueda instalar un enchufe con conexión a tierra (diagrama A).

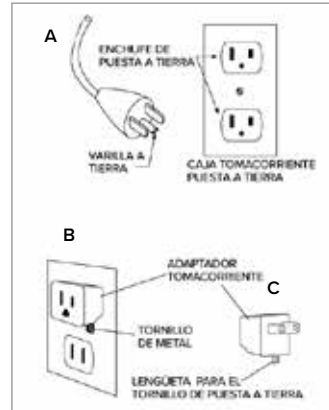


Figura 1

Conecte el cable de conexión a tierra al tornillo de conexión a tierra del producto como se muestra en el diagrama D de la Figura 2. Conecte el otro extremo del cable de conexión a tierra al tornillo de conexión a tierra ubicado en la salida temporal.



PELIGRO

No conecte el cable a tierra a un enchufe sin conexión a tierra.

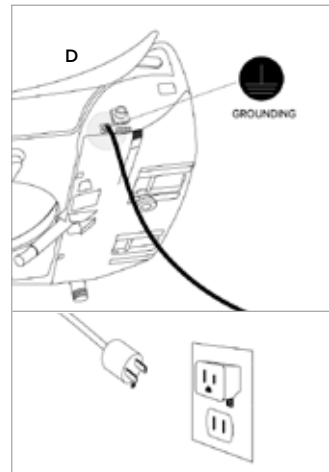


Figura 2

Características del Producto

Boquilla de Acero Inoxidable

El acero inoxidable resiste la suciedad y la contaminación bacteriana para mejorar la higiene.

Lavado Posterior y Femenino Con Agua Tibia

Experimente lo último en limpieza con configuraciones ajustables de temperatura, posición, presión, masaje y oscilación.

Lavado Fuerte

Flujo concentrado con ajustes de presión, posición, temperatura, masaje y oscilación ajustables.

Boquilla Desplazable

La boquilla tiene cinco posiciones diferentes para garantizar el lavado más cómodo y completo.

Temperatura y Presión de Agua Ajustables

Los modos de lavado frontal, posterior y fuerte ofrecen cuatro configuraciones de temperatura del agua y cinco configuraciones de presión de agua.

Pulso

Cuando se activa, la presión del agua aumenta y disminuye automáticamente para proporcionar un rociado de limpieza pulsante.

Secador de Aire Caliente

Incluye temperatura ajustable con cinco niveles para una experiencia de manos libres y reducción de papel higiénico, incluso eliminación.

Oscilación de la Boquilla

La función Mover proporciona una limpieza oscilante y de masaje durante el ciclo de lavado, lo que garantiza un lavado completo y cómodo.

Función de Lavado Suave

Activa un ciclo de lavado preestablecido en la configuración más suave para una limpieza delicada. A continuación seguirá un ciclo de secado.

Asiento Ergonómico Con Calefacción

Con cuatro configuraciones de temperatura (Alta / Media / Baja / Apagada).

Luz Nocturna

El tono azul fresco de la luz nocturna significa que no habrá más luces cegadoras durante los viajes de medianoche al baño.

Asiento y Tapa de Cierre Suave

El asiento y la tapa de cierre suave "sin golpe" son fáciles de usar.

Modo Ecológico

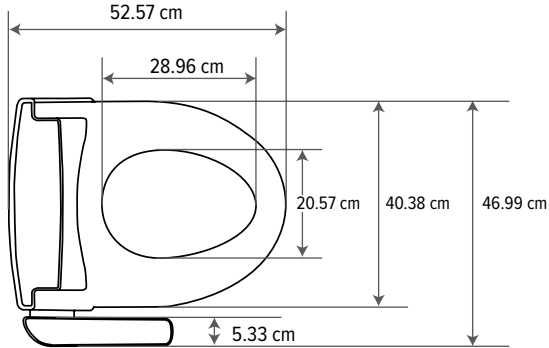
Cuando se activa, esta función reduce automáticamente la temperatura del agua y del asiento a una de dos configuraciones diferentes.

Asiento de Liberación Rápida

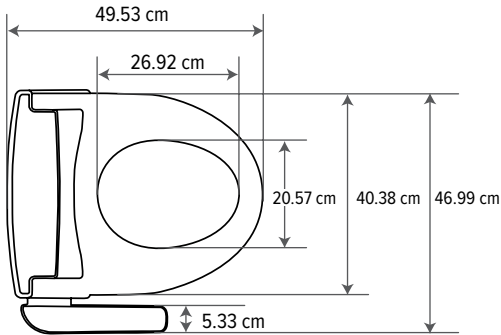
Botón de liberación rápida para quitar y limpiar fácilmente el asiento y el inodoro.

Dimensiones del Producto

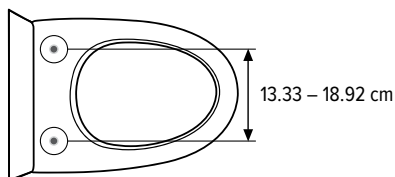
Vista Superior Alargada



Vista Superior Redonda

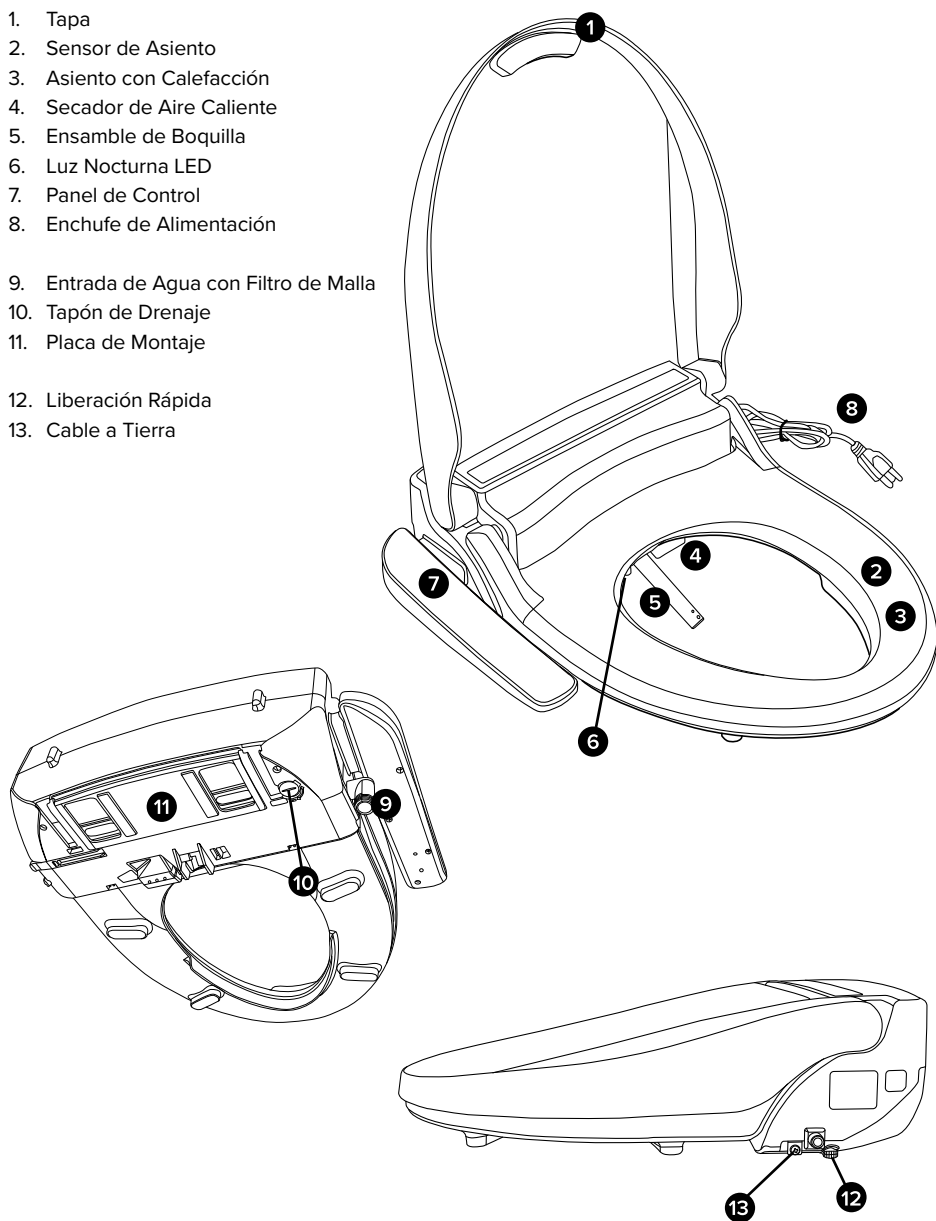


Distancia Requerida Entre los Orificios de Montaje



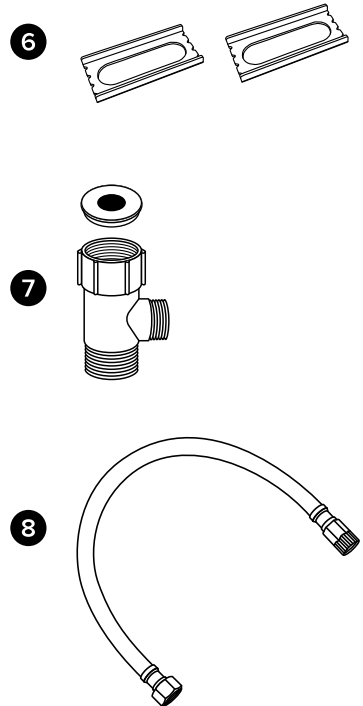
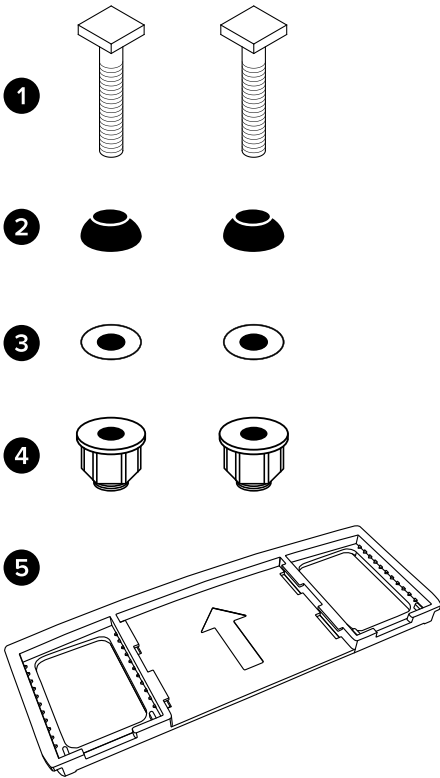
Piezas del producto

1. Tapa
2. Sensor de Asiento
3. Asiento con Calefacción
4. Secador de Aire Caliente
5. Ensamble de Boquilla
6. Luz Nocturna LED
7. Panel de Control
8. Enchufe de Alimentación
9. Entrada de Agua con Filtro de Malla
10. Tapón de Drenaje
11. Placa de Montaje
12. Liberación Rápida
13. Cable a Tierra



Piezas de Instalación

1. Perno de Montaje (2)
2. Arandela de Cono de Goma (2)
3. Arandela Plana (2)
4. Tuercas (2)
5. Placa de Montaje
6. Soportes Ajustables (2)
7. Conector de Válvula en T con Arandela de Goma
8. Manguera del Bidé



Antes de la Instalación



NO ENCHUFE EL PRODUCTO MIENTRAS LA UNIDAD ESTÁ INVERTIDA.
Esto puede causar daños a los componentes internos.

MIRE NUESTRO VIDEO DE INSTALACIÓN

La instalación de todos los productos Swash se puede ver por Internet en **brondell.com**.

COMPRUEBE LA MEDIDA DE LOS PERNOS

Este asiento para bidé solo se puede instalar en inodoros con orificios para pernos de 13.33 – 18.92 cm (para obtener más información, consulte las Dimensiones del producto en la página 34).

VERIFIQUE SI LA INSTALACIÓN REQUIERE MONTAJE SUPERIOR

Si el accesorio solo permite acceder a los pernos de montaje que sujetan el asiento al por el lado superior, es probable que tenga que comprar el kit de herramientas de montaje superior del asiento del bidé Swash, que encontrará en **brondell.com**.

REVISE LA VÁLVULA DE LLENADO DEL INODORO OCULTA

Muchos inodoros modernos tienen diseños elegantes que cubren y camuflan las conexiones de plomería, lo que dificulta o imposibilita la instalación estándar de Swash. Para esto, recomendamos utilizar nuestra válvula T de asiento de bidé Swash como alternativa, que encontrará en **brondell.com**.

COMPRUEBE LA TUBERÍA DE SUMINISTRO DE AGUA

Compruebe la tubería que conecta el tanque del inodoro con la válvula de cierre de agua. Si se trata de una tubería rígida, es posible que deba comprar una manguera flexible para reemplazarla antes de instalar el Swash. La longitud de la manguera y el tamaño de los conectores variarán.

LA HUMEDAD RESIDUAL ES NORMAL

Cada producto se prueba con agua pura durante la producción para garantizar la máxima calidad y rendimiento. Es normal encontrar una pequeña cantidad de humedad residual tanto en el producto como en el depósito y el filtro.

HERRAMIENTAS

Es posible que necesite un destornillador Phillips o un destornillador estándar para quitar el asiento del inodoro existente y una llave estándar para las conexiones de suministro de agua apretadas. La cinta de teflón puede ser útil para crear un sello hermético entre las conexiones de plomería.

Instalación del Swash

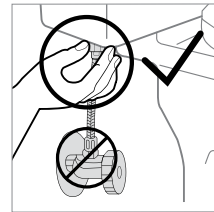
Lea atentamente estas instrucciones antes de instalar el Swash. De lo contrario, podrían surgir problemas, como inundaciones, fugas o daños al producto.

IMPORTANTE: Los pasos pueden variar según el tipo de asiento e inodoro

1. Cómo retirar el asiento para inodoro existente
 - a. Levante las cubiertas de las bisagras y use un destornillador para quitar los pernos de montaje.
 - b. Retire el asiento para inodoro. Guárdelo para usarlo en el futuro.
2. Cierre la válvula de suministro de agua y descargue el inodoro
 - a. Cierre la válvula de agua para detener el flujo de agua.
 - b. Descargue el inodoro y mantenga la manija presionada para que el tanque se vacíe por completo.
 - c. Desconecte la manguera del suministro de agua del tanque del inodoro. No la desconecte de la válvula de suministro de agua.

NOTAS

- Es posible que desee colocar un recipiente debajo del tanque para recoger el exceso de agua.
- No continúe si no completó los pasos anteriores.
- De lo contrario, podrían surgir problemas, como inundaciones, fugas o daños al producto.

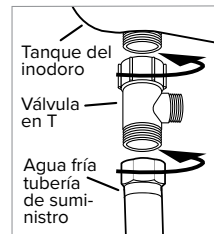


Paso 2c

3. Conecte la parte superior de la válvula en T a la conexión de agua entrante en la parte inferior del tanque del inodoro.
 - a. Verifique que la arandela de goma esté ubicada dentro de la válvula en T contra el metal con el borde elevado orientado hacia la conexión del tanque del inodoro.
 - b. Instale la válvula en T con la arandela de goma a la conexión de agua entrante en la parte inferior del depósito del inodoro.

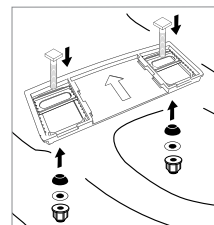
NOTAS

- La válvula en T se conecta a la válvula de llenado directamente debajo del tanque del inodoro; no se conecta a la pared.
- Solo conéctelo a la tubería de suministro de agua fría del inodoro.
- Si la tubería de suministro de agua es rígida, es posible que deba reemplazarla antes de continuar.



Pasos 3-4

4. Conecte la tubería de suministro de agua que viene de la pared a la parte inferior de la válvula en T.
5. Instale la placa de montaje para la instalación estándar
 - a. Coloque la placa de montaje sobre los orificios de montaje en el inodoro, con el lado de goma hacia abajo y la flecha apuntando hacia el tanque del inodoro.
 - b. Coloque los soportes ajustables con el lado plano hacia abajo en el centro de la abertura cuadrada en la placa de montaje e inserte los pernos de montaje a través de los soportes ajustables y los orificios de montaje. Verifique que la cabeza del perno de montaje cuadrado esté nivelada con los lados del soporte ajustable.



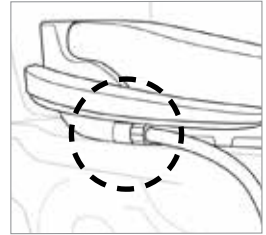
Pasos 5b-5c

Instalación del Swash

c. Deslice la arandela de goma del cono, la arandela plana y luego la tuerca en los pernos de montaje debajo de la taza del inodoro y apriete para mantener la placa de montaje en su lugar.

6. Conecte la manguera del bidé al asiento

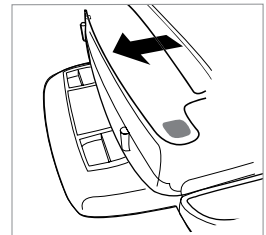
Conecte el lado plástico de la manguera del bidé a la entrada de agua. Apriete a mano para ajustarla. Tenga cuidado de no torcer o doblar en exceso la manguera del bidé; además, evite pelar las rosas plásticas de los tornillos al atornillar la manguera en el asiento del bidé.



Paso 6

7. Fije el Swash a la placa de montaje

- a. Coloque el Swash sobre la taza del inodoro frente a la placa de montaje y deslice el asiento sobre la placa hasta que esté seguro.
- b. Si el asiento parece demasiado corto o demasiado largo para el inodoro, ajuste debidamente la placa de montaje. Para ajustar la placa de montaje, afloje las tuercas debajo del inodoro y deslice el asiento hacia adelante o hacia atrás según sea necesario. Una vez que el asiento esté alineado correctamente, apriete las tuercas para mantenerlo en su lugar.



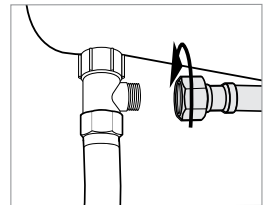
Paso 7

NOTA: Para las personas con problemas de movilidad, recomendamos nuestros asientos de bidé Swash 1400 o Swash 1000, ya que sus sistemas de montaje están diseñados para que la transición desde una silla de ruedas o andador sea más segura.

8. Conecte el extremo abierto de la manguera del bidé a la válvula en T.

9. Abra el suministro de agua.

- a. Abra la válvula del suministro principal de agua y revise si hay pérdidas.
- b. Espere 5 minutos, verifique nuevamente y, si no hay fugas, continúe.



Paso 8

10. Conecte el cable eléctrico en el enchufe. La boquilla se extenderá y retraerá.

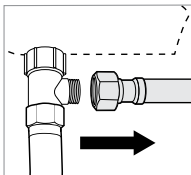
NOTA: Utilice solo un enchufe con conexión a tierra GFCI (interruptor de circuito de falla a tierra). Si se produjera un cortocircuito, el enchufe GFCI con conexión a tierra puede ayudar a prevenir descargas eléctricas o lesiones.

11. Siga las instrucciones en la página 43 para usar Swash.

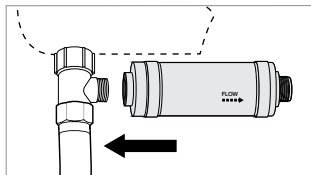
Instalación del Filtro de Bidé Externo

NOTA: Los clientes con agua dura, agua de pozo y agua ablandada pueden extender la vida útil de su asiento de bidé con la compra e instalación de un filtro de agua externo en línea para usar con el Swash. El filtro del bidé se debe cambiar cada seis meses y se puede comprar en línea en brondell.com.

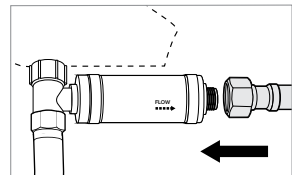
1. Cierre la válvula de suministro de agua y descargue el inodoro.
 - a. Cierre la válvula de agua para detener el flujo de agua.
 - b. Descargue el inodoro y mantenga la manija presionada para que el tanque se vacíe por completo.
2. Desconecte la manguera del bidé de la válvula en T.
3. Conecte el extremo hembra del filtro Swash a la conexión abierta de la válvula T.
4. Conecte la manguera del bidé al extremo macho del filtro de lavado.
5. Vuelva a abrir la válvula de suministro de agua del inodoro.



Paso 2

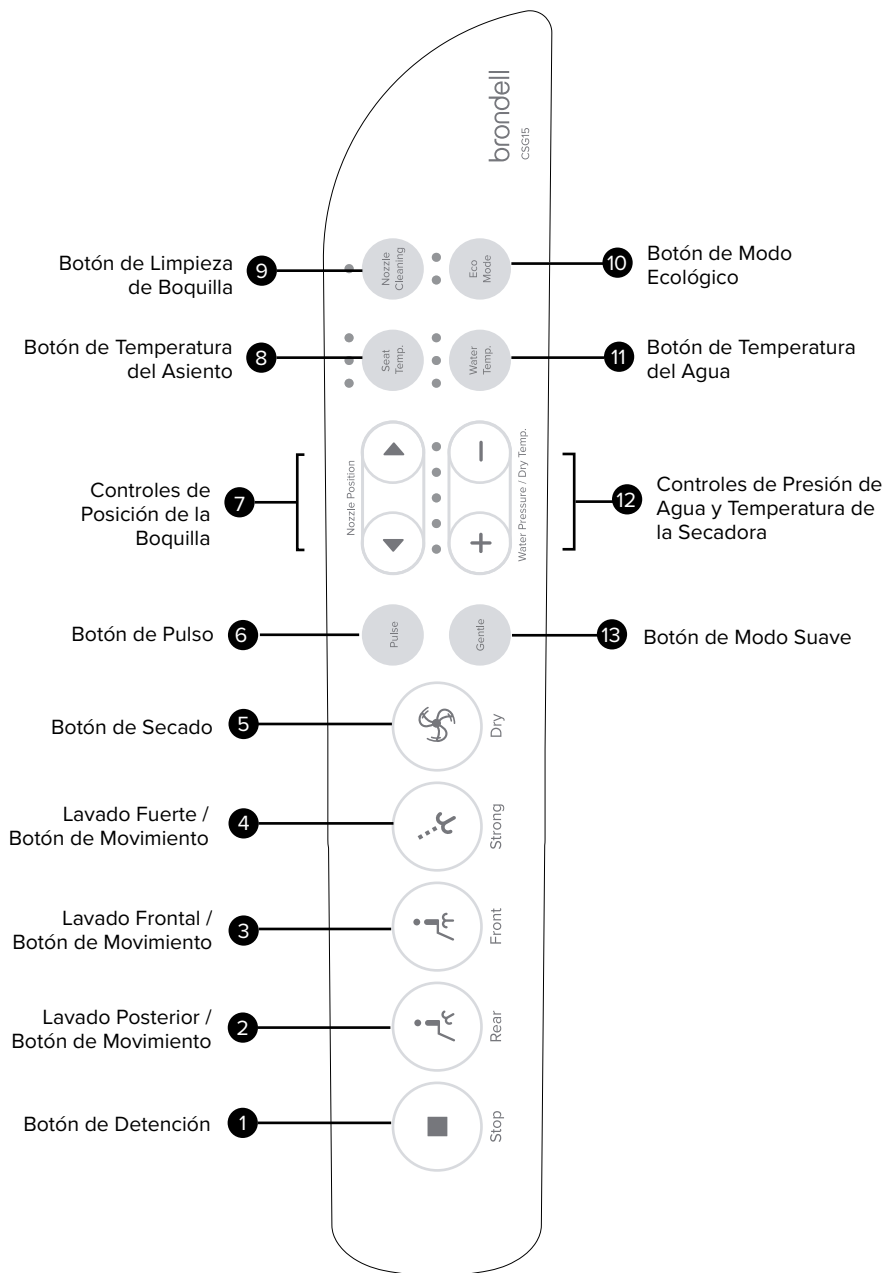


Paso 3



Paso 4

Panel de Control CSG15



Panel de Control CSG15

1. Botón de Detención

Detiene todas las funciones de lavado y secado actualmente en funcionamiento.

2. Lavado Posterior / Botón de Movimiento

Presione una vez para iniciar un lavado posterior. Presione nuevamente para iniciar la oscilación de la boquilla (movimiento repetitivo hacia adelante y hacia atrás).

3. Botón de Lavado Frontal / Movimiento

Presione una vez para iniciar un lavado frontal. Presione nuevamente para iniciar la oscilación de la boquilla (movimiento repetitivo hacia adelante y hacia atrás).

4. Botón de Lavado Fuerte / Movimiento

Presione una vez para iniciar un lavado fuerte. Presione nuevamente para iniciar la oscilación de la boquilla (movimiento repetitivo hacia adelante y hacia atrás).

5. Botón de Secado

Presione una vez para iniciar un ciclo de secado de aire caliente de dos minutos.

6. Botón de Pulso

Al presionar este botón mientras se está ejecutando un lavado, el agua aumenta y disminuye repetidamente la presión en un patrón pulsante.

7. Botones de Posición de la Boquilla

Pulse los botones con la flecha hacia arriba y la flecha hacia abajo para ajustar la posición de la boquilla hacia adelante y hacia atrás durante un ciclo de lavado.

8. Botón e Indicadores de Temperatura del Asiento

Presione y suelte el botón de temperatura del asiento para ajustar la temperatura del asiento a uno de los cuatro ajustes (bajo: 34°C, medio: 38°C, alto: 42°C y apagado). La configuración se guardará para el próximo uso.

9. Botón de Limpieza de la Boquilla

Presione este botón para iniciar la limpieza de la boquilla cuando no esté sentado en el asiento o cuando el sensor del asiento esté desactivado. Para ver más información sobre el mantenimiento de la boquilla, consulte la página 47.

10. Botón e Indicador del Modo Eco

Presione y suelte el botón del Modo Eco para seleccionar entre dos opciones de ahorro de energía (Estándar y Alta eficiencia). Para obtener más información consulte la página 44.

11. Botón e Indicadores de Temperatura del Agua

Presione y suelte el botón de temperatura del agua para ajustar la temperatura del agua de salida a una de las cuatro configuraciones (baja: 33°C, media: 36°C, alta: 39°C y apagado). La configuración se guardará para el próximo uso.

12. Controles de Presión de Agua y Temperatura de la Secadora

Presione los botones “+” y “-” para aumentar y disminuir la presión de agua saliente a una de las cinco configuraciones. Al presionar estos botones mientras el secador de aire caliente está funcionando, se ajustará la temperatura de secado. Para Lavado frontal, Lavado posterior y Secado, la configuración se guardará para el próximo uso. Para el lavado fuerte, la configuración de presión más alta será la predeterminada para todos los usos.

13. Botón de Modo Suave

Presione este botón para iniciar un ciclo de lavado suave de dos minutos seguido de un ciclo de secado de dos minutos. Para obtener más información consulte la página 43.

Cómo Usar el CSG15

NOTA: Las funciones de lavado no funcionarán a menos que el sensor en el asiento detecte a alguien sentado (con el sensor de conductividad de la piel incorporado). Para anular el sensor del asiento, consulte las instrucciones en la página 44.

Preparación para el Lavado

Siéntese en el asiento para garantizar el contacto de la piel con el asiento en el sensor del asiento. Una vez que se hace contacto, las luces indicadoras de presión de agua iluminarán.

Lavado con Agua Tibia

Cuando esté listo para el lavado, presione el botón Lavado posterior, Lavado frontal o Lavado fuerte en el panel de control una vez para comenzar. La boquilla se autolimpiará, se extenderá hacia la taza del inodoro, rociará durante dos minutos, se apagará automáticamente, se retraerá y se autolimpiará nuevamente.

1. Al presionar el botón Lavado posterior, Lavado frontal o Lavado fuerte una segunda vez mientras el lavado está en funcionamiento, la boquilla oscilará hacia adelante y hacia atrás, proporcionando una gama más amplia de rociado durante el lavado. Presione nuevamente para cancelar la función Mover.
2. Durante el lavado, los usuarios pueden ajustar la temperatura del agua, la presión y la configuración de la posición de la boquilla, así como iniciar la función de pulso siguiendo las notas en la página 42.
3. Si desea detener el lavado antes de que finalice el ciclo de dos minutos, presione el botón de detención para interrumpir el flujo de agua.
4. Después de un uso prolongado, es posible que baje la temperatura del agua si se selecciona un ajuste de temperatura de agua baja, media o alta. Para recuperar la temperatura del agua, detenga todas las funciones de lavado durante tres minutos para permitir que el bidé vuelva a calentar el agua.

Función de Secador de Aire Caliente

Presione el botón Secar para activar el Secador de aire caliente. La secadora funcionará durante dos minutos y se apagará automáticamente.

1. Mientras el secador de aire está funcionando, los usuarios pueden ajustar la temperatura del secador a un nivel cómodo con los botones Dry Temp "+" y "-". La temperatura seca se reflejará en los cinco LED indicadores.
2. Si desea detener la secadora antes de que hayan transcurrido los dos minutos, presione Detener.

Modo Suave

Todos los ajustes dentro del Modo suave son un 40% más suaves que los modos de lavado estándar. Una vez activado, el modo suave comenzará un lavado de dos minutos que incluye:

- Extensión completa de la boquilla
- Presión de agua ajustada a baja
- Lavado frontal durante un minuto, oscilación de la boquilla durante 30 segundos, luego pulso durante 30 segundos

Una vez finalizado el ciclo de lavado, el modo suave iniciará un ciclo de secado con aire caliente de dos minutos en el nivel dos.

NOTA: Mientras se ejecuta el ciclo de Modo suave, la configuración de Presión de agua se puede ajustar. La configuración de la secadora también se puede ajustar durante el Modo suave).

Funcionamiento en Modo Especial

Modo Ecológico

En este modo, el agua en el tanque y la temperatura del asiento se pueden reducir a una de dos configuraciones diferentes de ahorro de energía.

Modo Eco estándar: presione el botón Modo Eco hasta que la luz indicadora amarilla esté encendida para bajo ahorro de energía, y la temperatura del asiento y del agua se calentará a 32°C. Una vez que una persona se sienta en el bidet, el Swash volverá al último asiento y a la configuración de temperatura del agua utilizada. Presione el botón Modo Eco hasta que no haya luces indicadoras encendidas para desactivar el Modo Eco.

Modo Eco de alta eficiencia: presione el botón Modo Eco hasta que se encienda la luz indicadora verde para un alto ahorro de energía, y la temperatura del asiento y del agua se apagará cuando el bidé no esté en uso. Una vez que una persona se sienta en el bidet, el Swash volverá al último asiento y a la configuración de temperatura del agua utilizada. Presione el botón Modo Eco hasta que no haya luces indicadoras encendidas para desactivar el Modo Eco.

Modo Baño de Asiento

En el modo de baño de asiento, la presión del agua se cambia al nivel más bajo independientemente de la configuración de presión de agua preestablecida. Para iniciar el modo de baño de asiento, mientras está en un ciclo de lavado frontal o posterior, presione el botón Limpieza de boquilla. El modo de baño de asiento se ejecutará automáticamente durante cinco minutos. El LED de limpieza de la boquilla en el brazo lateral se encenderá para indicar que el modo de baño de asiento está activado. Para detener el modo de baño de asiento antes del final del ciclo de cinco minutos, presione el botón Limpieza de boquilla.

Anulación del Sensor del Asiento

1. Para activar la anulación del sensor del asiento, presione y mantenga presionado el botón Pulso durante cuatro segundos. Sonará un pitido para indicar que el sensor del asiento se ha apagado. Si el Swash está en modo silencioso, no habrá un pitido. Las luces de posición de la boquilla y presión de agua / temperatura de secado permanecerán encendidas mientras se active la anulación del sensor del asiento.
2. Para desactivar la anulación del sensor del asiento, presione y mantenga presionado el botón Pulso durante cuatro segundos. Sonarán dos pitidos y las luces de posición de la boquilla y presión del agua / temperatura de secado se apagarán.

NOTAS

- La activación o desactivación de la anulación del sensor del asiento no es posible cuando está sentado.
- El Swash no se puede poner en modo silencioso mientras la anulación del sensor del asiento está activada.
- La función de limpieza de la boquilla no funcionará cuando se active la anulación del sensor del asiento. Para iniciar la limpieza de la boquilla, primero debe desactivar la anulación del sensor del asiento.

Funcionamiento en Modo Especial

Activar / Desactivar el Modo Silencioso

1. Para activar el modo silencioso, mantenga presionado el botón “-“ Presión de agua/ temperatura de secado durante cuatro segundos. Sonará un pitido para indicar que se ha activado el modo silencioso.
2. Para desactivar el modo silencioso, mantenga presionado el botón “-“ Presión de agua/temperatura de secado durante cuatro segundos. Sonará un pitido para indicar que se ha desactivado el modo silencioso.

Activación / Desactivación de luz Nocturna

La luz nocturna se activa de fábrica de manera predeterminada.

1. Para desactivar la luz nocturna, mantenga presionado "+" durante cuatro segundos. Esta función no se puede realizar mientras está sentado en el asiento.
2. Para activar la luz nocturna, mantenga presionado "+" durante cuatro segundos. Esta función no se puede realizar mientras está sentado en el asiento.

Modo de Suspensión

En el modo de suspensión, el Swash se apaga esencialmente. La luz nocturna y las luces de los brazos laterales, el calentador del asiento y el calentador de agua se apagarán.

1. Para activar el Modo de suspensión, presione y mantenga presionado el botón de detención durante cuatro segundos. La unidad se apagará.
2. Para despertar el Swash desde el modo de suspensión, presione el botón Detener, Delantero o Fuerte.

Restablecimiento Predeterminado de Fábrica

Es posible restablecer la configuración predeterminada de fábrica de Swash.

Para restablecer la configuración predeterminada de fábrica, mantenga presionado el botón de detención durante diez segundos. Sonará un pitido a los dos segundos que indica el inicio del proceso de reinicio y otro pitido a los cuatro segundos que indica que el reinicio está activado.

Drenaje Automático de Tanques

1. Para evitar el estancamiento, se puede configurar para que se drene el agua del tanque de almacenamiento de agua tibia, y que se vuelva a llenar si el asiento no se ha utilizado en 48 horas.
2. Para programar esta función, presione "Detener" y "Temperatura del agua" al mismo tiempo y mantenga presionados los botones durante cuatro segundos.

Especificaciones del Producto

| ASIENTO DE BIDÉ AVANZADO BRONDELL SWASH | |
|---|---|
| Modelo | CSG15-EW, CSG15-RW |
| Tensión | 120V / 60Hz |
| Máximo consumo de energía | 870W |
| Presión del suministro de agua | 0.69 – 7.50 kg/cm ² |
| Dimensiones | Alargado: 46.99 cm x 52.57 cm x 52.57 cm Redondo: 46.99 cm x 49.53 cm x 14.47 cm |
| Peso | Alargado: 5.29 kg / Redondo: 5.09 kg |
| Temperatura del agua que ingresa | 3°C - 40°C |
| Filtro de malla | 1.2 cm x 1.11 cm diámetro |
| Límite de peso del asiento | 149.68 kg |
| Límite del peso de la tapa | 72.57 kg |
| DISPOSITIVO DE LAVADO CON AGUA TIBIA | |
| Lavado posterior | Máximo .8 L/min., Boquilla automática autolimpiante |
| Lavado frontal | Máximo .8 L/min., Boquilla automática autolimpiante |
| Lavado fuerte | Máximo .6 L/min., Boquilla automática autolimpiante |
| Tiempo estándar | Lavado posterior: 2 minutos, Lavado frontal: 2 minutos, Lavado fuerte: 2 minutos |
| Control de presión de agua | 5 niveles |
| Control de temperatura del agua | 4 niveles: Apagado – temperatura del agua entrante, Bajo – 34°C, Medio – 36°C, Alto – 39°C |
| Consumo eléctrico máx. del calentador | 800W |
| Dispositivos de seguridad | Fusible térmico, termostato, sensor de nivel de agua, sensor térmico, bimetálico |
| ASIENTO CON CALEFACCIÓN | |
| Control de temperatura del asiento | 4 niveles: Apagado – temperatura ambiente, Bajo – 34°C, Medio – 38°C, Alto – 42°C |
| Consumo eléctrico máx. del calentador | 55W |
| Dispositivos de seguridad | Termostato, fusible térmico, sensor térmico, sensor de asiento ocupado |

IMPORTANTE: Las especificaciones enumeradas anteriormente están sujetas a cambios sin previo aviso por razones de mejora del rendimiento del producto.

Limpieza y Desmontaje del Asiento, Limpieza de Boquilla



Desenchufe el Swash de la fuente de alimentación antes de limpiar o quitar el asiento.

Limpieza y Desmontaje del Asiento

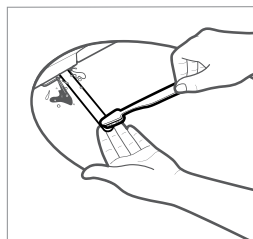
Use un paño suave y húmedo y un limpiador suave (como jabón para lavar platos, Simple Green o Windex) para limpiar el asiento. **NO** friegue ni utilice productos abrasivos fuertes para limpiar el Swash. **NO** use disolventes, benceno, productos químicos ácidos, cloruro o detergente de ácido clorhídrico. Esto puede provocar corrosión en las partes metálicas o decoloración o rayones en el cuerpo del bidé.

Para una limpieza más profunda, puede quitar el Swash. Para retirar el bidé, presione el botón de liberación rápida y deslice el asiento hacia afuera de la placa de montaje y el inodoro.

IMPORTANTE: Tenga cuidado de no dejar productos para el hogar y de belleza en contacto con el asiento del bidé, cuyo resultado puede ser una decoloración irreversible. La mayoría de las manchas se pueden eliminar con una mezcla 1: 1 de alcohol y agua y un paño suave o toalla. Sin embargo, algunas manchas permanentes son el resultado de sustancias que quedan en el asiento mientras el calentador del asiento estaba activado. Tenga cuidado con los productos para el hogar y la belleza (incluidos, entre otros, aerosoles para el cabello y ambientadores, lociones, jabones corporales, curtidores para la piel, mantecas corporales y aceites) que entran en contacto con el asiento. Lave cualquier sustancia que entre en contacto con el asiento lo antes posible. Si es necesario, las piezas de repuesto del asiento se pueden comprar a través del servicio de atención al cliente de Brondell.

Limpieza de la Boquilla

1. Presione el botón Limpieza de la boquilla en el panel de control. La boquilla se extenderá hacia la taza del inodoro y se autolimpiará tres veces. La boquilla detendrá la limpieza y se mantendrá extendida para permitir la limpieza manual.
2. Limpie suavemente la boquilla manualmente con un paño suave o un cepillo de dientes.
3. Presione el botón de limpieza de la boquilla nuevamente. La boquilla se autolimpiará tres veces y se retraerá.



Paso 2

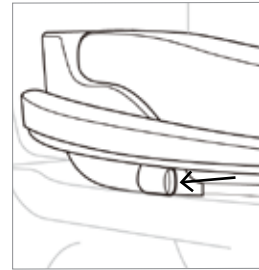
IMPORTANTE: La función de limpieza de la boquilla no funcionará si el asiento está ocupado o si el sensor del asiento se ha anulado.

Limpieza del Filtro de Malla y Almacenamiento del Producto

Limpieza del Filtro de Malla

Los intervalos de limpieza variarán según el uso y la calidad del agua. Se recomienda verificar el filtro al menos una vez al año.

1. Cierre el suministro de agua y mantenga presionada la palanca de descarga del inodoro hasta que se haya drenado toda el agua del tanque.
2. Desenchufe el Swash, retire el bidé del inodoro y desconecte la manguera del bidé. Es posible que desee usar un balde para recoger el agua que gotea de la manguera del bidé.
3. Retire el filtro de malla de la entrada de agua con un par de pinzas o alicates de punta fina.
4. Limpie el filtro con un cepillo de dientes mientras lo pasa por debajo del agua del grifo para eliminar eficazmente cualquier sustancia extraña o acumulación.
5. Reemplace el filtro de malla y verifique cuidadosamente que esté instalado correctamente. Si se instala incorrectamente, podría provocar que el producto gotee agua.
6. Vuelva a conectar la manguera del bidé y coloque el respaldo en el inodoro. Vuelva a enchufar el cable y vuelva a abrir el suministro de agua.



Paso 3

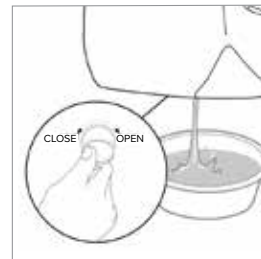
Almacenamiento del Producto

Si no lo Usa a Corto Plazo

Si el producto no se usará durante más de unas pocas semanas, simplemente puede desenchufarlo. También puede considerar cerrar el suministro de agua en la pared como precaución adicional.

Falta de Uso a Largo Plazo

Si el producto no se utilizará durante un período prolongado (más de cuatro meses), debe desenchufar la unidad, cerrar el suministro de agua en la pared y retirar el Swash del inodoro. Para retirar el bidé, presione el botón de liberación rápida y deslice el asiento hacia afuera de la placa de montaje y el inodoro. Retire la manguera del bidé. Para drenar el calentador de agua caliente, use una moneda para desenroscar el tapón de drenaje en la parte inferior del asiento del bidé y gírelo 90 grados hacia la derecha hacia donde indica "OPEN" (abrir). Con el dedo, suelte suavemente el tapón del cuerpo del asiento. Cuando el agua esté completamente drenada, vuelva a colocar el tapón en su lugar y bloquee el tapón de drenaje en su posición.



Solución de Problemas

Si el bidé parece estar funcionando de manera anormal, consulte los consejos para solucionar problemas antes de llamar al Centro de servicio de Brondell, ya que la mayoría de los problemas se resuelven fácilmente con unos simples pasos. Si no puede resolver el problema después de verificar los siguientes elementos, llame al Centro de servicio al **888-542-3355**, de lunes a viernes, de 9:00 a.m. a 5:00 p.m. PST, o envíenos un correo electrónico a support@brondell.com.

Verifique antes de continuar:

- Verifique que el Swash esté conectado a la alimentación y que el tomacorriente funcione correctamente.
- Revise y pruebe el botón de reinicio en el enchufe GFCI (enchufe estándar de 120 V GFCI).
- Verifique que la válvula principal de suministro de agua esté abierta.
- Verifique que el asiento no esté en modo Eco estándar o de alta eficiencia.
- Confirme que no haya fugas de las mangueras o del suministro de agua.
- Verifique que el filtro de malla esté limpio y libre de acumulación o suciedad (consulte la sección de mantenimiento en la página 48).

Después de verificar los elementos anteriores, consulte la siguiente tabla de solución de problemas para obtener soluciones adicionales.

| Problema | Causa Posible | Solución |
|---------------------------------------|---|---|
| El asiento del bidé no funciona | 1. El bidé no está enchufado | 1. Verifique que el bidé esté enchufado. |
| | 2. La válvula de suministro de agua no está abierta completamente | 2. Verifique que la válvula de suministro de agua en la pared esté completamente abierta. |
| | 3. El Swash no recibe electricidad | 3. Verifique y restablezca el enchufe GFCI. |
| | 4. El agua entrante está demasiado caliente | 4. Verifique que el asiento del bidé esté conectado al suministro de agua fría. |
| | 5. El sensor del asiento no se activa | 5a. Ajuste la posición de sentado para cubrir completamente el sensor del asiento. 5b. Anule el sensor del asiento (consulte la página 44). |
| El producto se apaga durante el uso | 1. El tiempo de lavado excedió el tiempo del ciclo | 1. Los ciclos de lavado duran dos minutos. Presione el botón de lavado después de que el lavado haya terminado para continuar el ciclo de lavado. |
| | 2. Falla de energía | 2. Verifique y restablezca el enchufe GFCI. |
| | 3. El sensor del asiento no se activa | 3 a. Ajuste la posición de sentado para cubrir completamente el sensor del asiento. 3b. Anule el sensor del asiento (consulte la página 44). |
| La boquilla no funciona correctamente | 1. La boquilla está sucia | 1. Limpie la boquilla (consulte la página 47). |
| | 2. Filtro obstruido | 2. Retire, limpie y vuelva a instalar el filtro de malla (consulte la página 48). |
| | 3. La presión del agua es demasiado baja | 3. Verifique que la válvula de suministro de agua en la pared esté completamente abierta. |
| | 4. Filtro de bidé externo | 4. Si tiene un filtro de bidé externo, verifique y reemplace si es necesario. |

Solución de Problemas

| Problema | Causa Posible | Solución |
|--|---|---|
| Bajo flujo de agua o presión de pulverización | 1. Filtro obstruido | 1. Retire, limpie y vuelva a instalar el filtro de malla (consulte la sección de mantenimiento en la página 48). |
| | 2. La válvula de suministro de agua no está completamente abierta | 2. Verifique que la válvula de suministro de agua en la pared esté completamente abierta. |
| | 3. La boquilla está sucia | 3. Limpie la boquilla (consulte la página 47). |
| | 4. Filtro de bidé externo | 4. Si tiene un filtro de bidé externo, verifique y reemplace si es necesario. |
| | 5. Ajustes de presión | 5a. Ajuste la configuración para aumentar la presión del agua. 5b. Verifique si la manguera de conexión está doblada. |
| La temperatura del agua es baja | 1. El agua sale fría | 1a. El nivel de temperatura del agua está apagado o configurado en Bajo. Ajuste la temperatura en el panel de control. 1b. Desactive el Modo Eco de alta eficiencia. |
| | 2. El agua sale tibia | 2. Desactive el modo Eco estándar. |
| | 3. El agua comienza a calentarse pero disminuye la temperatura | 3. Se puede usar agua tibia durante aproximadamente 90 segundos en el ajuste Medio. Detenga todas las funciones de lavado para permitir que el calentador caliente el agua. |
| Las funciones de lavado no funcionan o no rocían | 1. No activa el sensor del asiento | 1a. Ajuste la posición de sentado para cubrir completamente el sensor del asiento. 1b. Anule el sensor del asiento (consulte la página 44). |
| | 1. La temperatura del agua está desactivada | 1. Verifique que la configuración de la temperatura del agua esté activada. |
| El agua (rociado de lavado) no calentó | 2. El fusible reajutable está quemado | 2. El fusible bimetalico reajutable puede quemarse si la temperatura excede el nivel normal. El bidet no funcionará y mostrará un mensaje de error hasta que el bidet se enfríe. |
| | 3. El Modo Eco está configurado en Alta Eficiencia | 3. Desactive el Modo Eco o cambie la configuración al Modo Eco Estándar. |
| | 1. Agua procedente de la boquilla | 1a. El agua que sale entre la boquilla antes o después de un ciclo de lavado es el ciclo de autolimpieza y no es un mal funcionamiento. 1b. El agua residual puede gotear en el recipiente durante varios segundos después de un ciclo de lavado o ciclo de autolimpieza, y no es un mal funcionamiento. |

Solución de Problemas

| Problema | Causa Posible | Solución |
|--|--|--|
| El agua se escapa de áreas distintas a la boquilla | 1. Fugas de agua de la válvula en T | 1. Verifique que la junta de goma esté insertada correctamente en la válvula en T (lado plano hacia abajo con el labio apuntando hacia la conexión del tanque del inodoro) y ajuste firmemente el conector. |
| | 2. Fugas de agua de la conexión de la manguera del bidé | 2. Verifique que la manguera del bidé esté correctamente conectada y apretada. Verifique las arandelas de goma y no las apriete demasiado. |
| | 3. Fugas de agua debajo del asiento | 3. Compruebe si hay algo entre el filtro de malla y el bidé. Retire, limpie y vuelva a instalar el filtro de malla. Compruebe si el filtro está dañado (consulte la sección de mantenimiento en la página 48). |
| | 4. Fugas de agua por detrás del asiento. | 4. Revise el tapón del tanque de agua en la parte posterior del asiento (consulte la sección de mantenimiento en almacenamiento y uso del producto en la página 48). |
| Las luces de temperatura del agua parpadean | 1. El suministro de agua no está conectado correctamente | 1. Verifique que la manguera del bidé esté correctamente conectada y apretada. |
| El asiento no se calienta | 1. La temperatura del asiento está configurada en la opción de apagado | 1. Asegúrese de que la configuración de temperatura del asiento esté activada. |
| | 2. El Modo Eco está configurado en la opción de Alta eficiencia | 2. Desactive el Modo Eco o cambie al Modo Eco Estándar. |

Garantía

Los productos Brondell están respaldados por algunas de las garantías más completas en la industria. Brondell garantiza que todos los productos (con excepción de los consumibles) estarán libres de defectos en materiales y mano de obra bajo uso y servicio normales.

CSG15 Garantía Residencial Limitada por 1 Año

100% de cobertura en todas las partes y mano de obra para todo el producto durante el primer año a partir de la fecha original de compra.

CSG15 Garantía Comercial

Período de garantía de 1 año desde la fecha de compra original para todos los productos de Brondell. Las garantías pueden no ser aplicables a los productos que se utilizan para fines comerciales pesados, hospital u otras aplicaciones no residenciales de alto uso.

Exclusiones y Limitaciones

1. BRONDELL garantiza que sus productos están libres de cualquier tipo de defectos de fabricación, en condiciones de uso y servicio normales. Esta garantía se extiende solo al COMPRADOR ORIGINAL.
2. Las obligaciones de BRONDELL, según esta garantía, se limitan a reparaciones o reemplazos, a criterio de BRONDELL, de productos o partes que se encuentren defectuosas, en tanto tales productos hayan sido instalados adecuadamente y utilizados de acuerdo con las instrucciones. BRONDELL se reserva el derecho de realizar tales inspecciones según lo considere necesario, para determinar la causa del defecto. BRONDELL no cobrará por la reparación o reemplazo de partes en relación con reparaciones de garantía durante el primer año, a partir de la fecha de compra de todos los productos, a excepción de aquellos que puedan estar sujetos a limitaciones de uso comercial.
3. BRONDELL no se responsabiliza por los costos de renovación, devolución (envío) o reinstalación de productos. Esta garantía NO se aplica en los siguientes casos:
 - Daño o extravío durante el envío.
 - Daño o extravío producido por causas naturales o humanas, que exceden a los controles de BRONDELL, incluidos incendios, sismos, inundaciones, etc.
 - Daño o extravío como resultado de sedimentos o material extraño contenido en el sistema de agua.
 - Daño o extravío como resultado de negligencia o instalación inadecuada, incluida la instalación de una unidad en un medioambiente hostil o peligroso.
 - Daño o extravío como resultado de la renovación, reparación inadecuada o modificación del producto, o el mantenimiento inadecuado, incluido el daño causado por el cloro o productos derivados del cloro
 - Daño o extravío como resultado de actos que no son responsabilidad de Brondell para los cuales el producto no está específicamente preparado.
4. Esta garantía le otorga derechos legales específicos. Usted puede ejercer otros derechos, según el estado donde se encuentre.

ESTA GARANTÍA ESCRITA ES LA ÚNICA EMITIDA POR BRONDELL. LA REPARACIÓN O EL REEMPLAZO, SEGÚN LOS TÉRMINOS ESTABLECIDOS POR ESTA GARANTÍA, CONSTITUYEN LA ÚNICA SOLUCIÓN DISPONIBLE PARA EL COMPRADOR. BRONDELL NO SE RESPONSABILIZA POR EL EXTRAVÍO DE USO DEL PRODUCTO U OTROS DAÑOS INCIDENTALES, ESPECIALES, RESULTANTES O POR LOS GASTOS INCURRIDOS POR EL COMPRADOR, GASTOS DE TRABAJO, OTROS COSTOS DERIVADOS DE LA INSTALACIÓN O EXTRACCIÓN DEL PRODUCTO, COSTOS DE REPARACIÓN POR PARTE DE TERCEROS O CUALQUIER OTRO TIPO DE GASTOS NO ESPECIFICADOS ANTERIORMENTE. A EXCEPCIÓN DEL ALCANCE APLICABLE DE LA LEY, CUALQUIER TIPO DE GARANTÍA IMPLÍCITA, INCLUSO LA DE COMERCIABILIDAD, QUEDA EXPRESAMENTE LIMITADA A LA DURACIÓN DE ESTA GARANTÍA. ALGUNOS ESTADOS NO PERMITEN LIMITACIONES, POR LO QUE ES POSIBLE QUE LAS LIMITACIONES Y EXCLUSIONES ANTERIORES NO SE APLIQUEN A SU CASO.

Cómo Obtener Servicio

Para obtener servicio de reparación bajo esta garantía, debe comunicarse con un Centro de Servicios BRONDELL autorizado para obtener un número de RMA (Autorización de devolución de mercadería). La unidad devuelta debe estar acompañada de una copia del comprobante de compra original para que la garantía sea válida. Lleve o envíe la unidad prepaga al Centro de Servicios BRONDELL autorizado más cercano, junto con su número de RMA y el comprobante de compra. Para obtener su número de RMA y para localizar el Centro de Servicios BRONDELL más cercano, llame al 1-888-542-3355, Lunes – Viernes, 9am-5pm, PST.

brondell®

a healthy home experience

CONTACTAR:

Brondell, Inc.

PO Box 470085

San Francisco, CA 94147-0085

Email: support@brondell.com

Web: www.brondell.com

Si tiene preguntas, póngase en contacto con Brondell Servicio al Cliente:

1-888-542-3355

(Lunes – Viernes, 9am-5pm, PST)

FABRICADO POR:

Brondell, Inc.

PO Box 470085

San Francisco, CA 94147-0085

Hecho en Corea

Por favor, guarde los registros de recibos de las reclamaciones de garantía.

Table des Matières

Ce manuel contient des informations importantes portant sur la sécurité. Avant d'utiliser le bidet, lisez attentivement ce manuel et conservez-le pour le consulter ultérieurement.

INFORMATIONS GÉNÉRALES

- 55 **INFORMATIONS SUR LA SÉCURITÉ**
- 60 **INFORMATIONS SUR LE PRODUIT**
- 60 Caractéristiques du Produit
- 61 Dimensions du Produit
- 62 Pièces du Produit

INSTALLATION DU PRODUIT

- 63 **INSTALLATION DU PRODUIT**
- 63 Pièces pour l'Installation
- 64 Avant l'Installation
- 65 Installation du Swash
- 67 Installation du Filtre Externe du Bidet

FONCTIONNEMENT DU PRODUIT

- 68 **FONCTIONNEMENT DU SWASH**
- 68 CSG15 Panneau de Commande
- 70 Utilisation du CSG15
- 71 Fonctionnement en Mode Spécial

INFORMATIONS TECHNIQUES

- 73 **SPÉCIFICATIONS DU PRODUIT**
- 74 **ENTRETIEN**
- 74 Nettoyage du Siège et Retrait
- 74 Nettoyage de la Buse
- 75 Nettoyage du Filtre en Maille
- 75 Entreposage du Dispositif
- 76 **DÉPANNAGE**
- 79 **GARANTIE**
- 80 **CONTACT**


TRADUCTIONS


- 1 **ANGLAIS**
- 27 **ESPAGNOL**


INFORMATIONS SUR LA SÉCURITÉ (CONSIGNES DE SÉCURITÉ IMPORTANTES)

LISEZ TOUTES LES INSTRUCTIONS AVANT UTILISATION

VEUILLEZ À CONSERVER CES INFORMATIONS DE SÉCURITÉ. VEUILLEZ LIRE CES INFORMATIONS POUR EMPÊCHER LES PERTES MATÉRIELLES ET POUR ASSURER LA SÉCURITÉ.

 **DANGER** : Si ces indications ne sont pas respectées, cela pourrait entraîner des blessures graves, voire même la mort.

 **AVERTISSEMENT** : Si ces indications ne sont pas respectées, cela pourrait entraîner des blessures graves ou des dommages matériels importants.

 **PRÉCAUTION** : Le non-respect de ces consignes peut entraîner des blessures physiques mineures ou des dégâts matériels.



DANGER

Le non-respect des avertissements suivants pourrait entraîner une décharge électrique, un incendie, des blessures corporelles, des dommages matériels ou des dommages au dispositif.

- N'utilisez pas une fiche d'alimentation endommagée ou une fiche dans une prise électrique mal fixée.
- Ne déplacez pas le dispositif en tirant sur le cordon d'alimentation.
- Ne manipulez pas le dispositif ou la fiche d'alimentation avec les mains mouillées.
- Ne pliez pas vigoureusement le cordon d'alimentation et ne placez pas d'objets lourds sur le dispositif afin d'éviter toute détérioration ou déformation de celui-ci.
- Ne branchez et ne débranchez pas le cordon d'alimentation à plusieurs reprises.
- Débranchez le dispositif avant de nettoyer, réparer, inspecter ou remplacer des pièces.
- Retirez toute poussière ou eau de la fiche d'alimentation avant de le brancher.
- Ne branchez pas le dispositif dans une prise électrique ou une multiprise utilisée pour trop d'appareils. Utilisez une prise électrique adaptée à la puissance du dispositif pour un minimum de 15 ampères.
- Si le cordon d'alimentation est endommagé, n'essayez pas de réparer, modifier ou remplacer le cordon vous-même. Contactez sans frais le Centre de service Brondell au **1 888 542-3355** ou par courriel via notre site web.
- Si le dispositif produit un bruit étrange, une odeur de brûlé ou émet de la fumée, débranchez-le immédiatement de la prise de courant et contactez Brondell. Dans le cas contraire, vous risquez une décharge électrique ou un incendie.
- N'insérez pas de fils ou d'objets tranchants dans les fentes du dispositif. Cela pourrait provoquer un choc électrique, un incendie ou endommager le dispositif.
- Ne placez pas d'appareil de chauffage électrique ou au gaz à proximité du dispositif et ne jetez .
- N'utilisez pas le dispositif dans des endroits exposés à une humidité excessive et ne projetez pas d'eau sur le dispositif.

INFORMATIONS SUR LA SÉCURITÉ (CONSIGNES DE SÉCURITÉ IMPORTANTES)



DANGER

Le non-respect des avertissements suivants pourrait entraîner une décharge électrique, un incendie, des blessures corporelles, des dommages matériels ou des dommages au dispositif.

- Pas de matériaux se consumant, comme une cigarette allumée, dans la toilette. Cela pourrait provoquer un incendie ou déformer le dispositif. Ne placez pas de récipients contenant de l'eau ou d'autres liquides, aliments, objets métalliques ou tout matériau inflammable sur le dispositif. Si un corps étranger pénètre dans le dispositif, cela peut provoquer une décharge électrique ou un incendie.
- Lorsque vous nettoyez la salle de bain, débranchez le dispositif de la prise de courant et veillez à ce que de l'eau ou des produits de nettoyage n'éclaboussent pas le bidet. Dans le cas contraire, vous risquez une décharge électrique ou un incendie.
- Si un corps étranger pénètre dans le dispositif, débranchez le cordon d'alimentation de la prise de courant, fermez l'entrée d'eau principale et appelez le Centre de service de Brondell.
- Ne démontez, réparez ou modifiez pas le dispositif vous-même.
- N'utilisez pas le dispositif si vous êtes trempés après un bain ou une douche.
- Ne placez pas et n'entreposez pas le dispositif dans un endroit où il pourrait tomber ou être plongé dans une baignoire ou un évier.
- Ne placez pas le dispositif et ne le laissez pas tomber dans de l'eau ou dans tout autre liquide.
- Ne touchez au dispositif s'il est tombé dans l'eau. Débranchez immédiatement le dispositif et appelez le Centre de service Brondell.
- N'utilisez pas le dispositif s'il ne fonctionne pas correctement. Débranchez immédiatement le dispositif, fermez l'entrée d'eau principale et appelez le Centre de service Brondell au **1 888 542-3355**. Sinon, vous risquez une décharge électrique, un incendie ou un dégât d'eau.



AVERTISSEMENT

Le non-respect des avertissements suivants pourrait entraîner une décharge électrique, un incendie, des blessures corporelles, des dommages matériels ou des dommages au dispositif.

- Ne branchez pas, n'utilisez pas et n'entreposez pas le dispositif dans des endroits où des matériaux inflammables ou combustibles sont utilisés ou entreposés.
- N'utilisez pas d'eau industrielle ou grise, car cela pourrait provoquer des lésions cutanées ou des maladies.
- Fermez l'entrée d'eau principale lors du nettoyage.
- Pour les enfants et les personnes âgées qui pourraient avoir du mal à ajuster la température ou ceux qui ont la peau sensible ou une sensibilité réduite à la chaleur, réglez la température de la vaporisation de lavage et du siège sur « low (basse) » ou « off (arrêt) » pour éviter les brûlures.
- Une surveillance étroite est nécessaire lorsque ce dispositif est utilisé par des enfants, des personnes âgées ou des personnes nécessitant une assistance générale.
- N'appuyez pas trop fort sur les boutons.
- Ne vous tenez pas sur le dessus du dispositif et ne placez aucun objet lourd sur le couvercle de siège.
- Utilisez ce dispositif uniquement pour l'usage auquel il est destiné, tel que décrit dans ce manuel. N'utilisez aucun accessoire non recommandé par Brondell.

INFORMATIONS SUR LA SÉCURITÉ (CONSIGNES DE SÉCURITÉ IMPORTANTES)

AVERTISSEMENT

Le non-respect des avertissements suivants pourrait entraîner une décharge électrique, un incendie, des blessures corporelles, des dommages matériels ou des dommages au dispositif.

- N'utilisez jamais ce dispositif si son cordon ou sa fiche est endommagé, s'il ne fonctionne pas correctement, s'il a été échappé, s'il est endommagé ou s'il est tombé dans l'eau. Contactez le Centre de service Brondell pour une inspection ou une réparation.
- Maintenez le cordon à l'écart des surfaces chaudes et des bouches d'aération.
- Ne bloquez jamais les prises d'air du dispositif et ne le placez pas sur une surface molle comme un lit ou un canapé, où les prises d'aération pourraient se trouver obstruées. Maintenez les prises d'aération exemptes de peluches, cheveux, etc.
- Ne laissez jamais tomber et n'insérez jamais d'objet dans une ouverture ou un tuyau.
- N'utilisez pas le dispositif à l'extérieur et ne l'utilisez pas dans des endroits où des produits en aérosol (vaporisateurs) sont utilisés ou dans une pièce où il pourrait être exposé à de l'oxygène.
- Branchez uniquement ce dispositif à une prise correctement mise à la terre. Reportez-vous aux instructions de mise à la terre dans les pages suivantes du manuel.

ATTENTION

Le non-respect des avertissements suivants pourrait entraîner une décharge électrique, un incendie, des blessures corporelles, des dommages matériels ou des dommages au dispositif.

- Ne raccordez pas l'alimentation en eau principale au tuyau d'eau chaude ni à l'alimentation (connectez-vous uniquement à l'alimentation en eau froide).
- Après l'installation, assurez-vous de vérifier l'étanchéité de tous les raccords de l'alimentation en eau. Des rondelles en caoutchouc doivent être en place pour les tuyaux de raccordement en eau et la valve en T.
- N'ouvrez/fermez pas le siège ou le couvercle avec une force excessive.
- Faites attention à ce que l'urine n'entre pas en contact avec le dispositif. Sinon, vous risquez de provoquer des mauvaises odeurs ou un dysfonctionnement.
- Si vous n'utilisez pas le produit pendant une période prolongée, débranchez le cordon d'alimentation, fermez l'entrée d'eau principale et vidangez (purgez) toute l'eau contenue dans le réservoir d'eau.
- Ne tirez pas trop fort sur le tuyau du bidet.
- N'utilisez pas de diluant, de benzène, de produits chimiques acides, de chlorure ou de détergent à l'acide chlorhydrique sur ou à proximité du dispositif. Cela pourrait entraîner une corrosion des pièces métalliques, une décoloration ou des rayures sur le corps du bidet.
- Ce dispositif n'est pas destiné à être utilisé par des personnes (y compris les enfants et les personnes âgées) ayant des capacités physiques, sensorielles ou mentales réduites, ou manquant d'expérience et de connaissances, à moins d'avoir été supervisées ou instruites concernant l'utilisation du dispositif par une personne responsable, et ce, pour leur sécurité.
- Les enfants doivent être surveillés pour s'assurer qu'ils ne jouent pas avec le dispositif.

INFORMATIONS SUR LA SÉCURITÉ (CONSIGNES DE SÉCURITÉ IMPORTANTES)

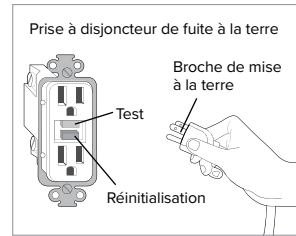
⚠ ATTENTION

Pour les personnes qui présentent des problèmes médicaux ou de mobilité dans la salle de bain, nous recommandons nos sièges de bidet Swash 1400 ou Swash 1000, car leurs systèmes de montage sont conçus pour les transitions les plus sécuritaires depuis les fauteuils roulants et déambulateurs.

INSTRUCTIONS DE MISE À LA TERRE ET PRISE À DISJONCTEUR DE FUITE À LA TERRE

Ce produit doit uniquement être utilisé avec une prise à disjoncteur de fuite à la terre (DDFT) et un cordon électrique à trois broches mis à la terre, comme indiqué à droite. En cas de court-circuit électrique, l'utilisation d'une prise avec disjoncteur de fuite à la terre réduit le risque de décharge électrique.

Ce produit est équipé d'un cordon avec mise à la terre et doit être utilisé sur un circuit nominal de 120 V (minimum de 15 ampères) et doit être branché sur une prise correctement mise à la terre avec un disjoncteur de fuite à la terre, comme indiqué. Remplacez ou réparez immédiatement un cordon endommagé.



UNE UTILISATION INCORRECTE DE LA FICHE DE MISE À LA TERRE PEUT ENTRAÎNER UN RISQUE DE DÉCHARGE ÉLECTRIQUE.

- Si la réparation ou le remplacement du cordon ou de la fiche est nécessaire, ne connectez pas le fil de mise à la terre à une borne à lame plate. Le fil avec une isolation verte (avec ou sans bande jaune) est le fil de mise à la terre.
- Vérifiez auprès d'un électricien qualifié si vous ne comprenez pas entièrement les instructions de mise à la terre ou s'il existe un doute quant à la mise à la terre du dispositif.



DANGER

Une utilisation incorrecte de la fiche de mise à la terre peut entraîner un risque de décharge électrique.

INFORMATIONS SUR LA SÉCURITÉ (CONSIGNES DE SÉCURITÉ IMPORTANTES)

INSTRUCTIONS DE MISE À LA TERRE FACULTATIVES

Ce produit est destiné à être utilisé sur un circuit nominal de 120 V et possède une fiche de mise à la terre qui ressemble à la fiche illustrée dans le croquis A de la figure 1.

Un adaptateur temporaire, qui ressemble à l'adaptateur illustré dans les schémas B et C, peut être utilisé pour connecter cette fiche à une prise à 2 broches, comme indiqué dans le schéma B, si aucune prise correctement mise à la terre n'est disponible.

L'adaptateur temporaire doit être utilisé uniquement jusqu'à ce qu'une prise de courant correctement mise à la terre (schéma A) puisse être installée par un électricien qualifié.

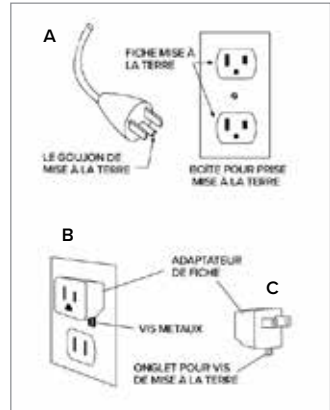


Figure 1

Fixez le fil de mise à la terre à la vis de mise à la terre du dispositif, comme indiqué dans le croquis D de la figure 2. Branchez l'autre extrémité du fil de mise à la terre à la vis de mise à la terre située sur la prise temporaire.



DANGER

Ne connectez pas le fil de mise à la terre à une prise non mise à la terre.

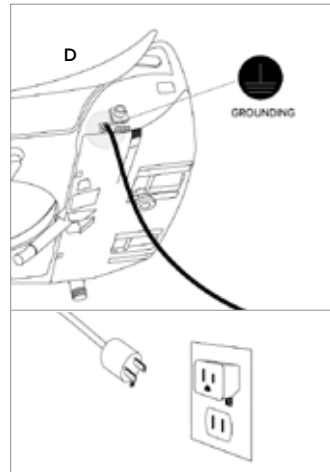


Figure 2

Caractéristiques du Produit

Buse en Acier Inoxydable

Pour une meilleure hygiène, l'acier inoxydable résiste aux salissures et à la contamination bactérienne.

Lavage Féminin et Postérieur à l'eau Tiède

Découvrez ce qu'il y a de mieux en matière de nettoyage avec des réglages de température, de position, de pression, de massage et d'oscillation ajustables.

Lavage Fort

Débit concentré avec réglages de pression, position, température, massage et oscillation réglables.

Buse Orientable

La buse a cinq positions différentes pour assurer le lavage le plus confortable et le plus complet possible.

Température et Pression d'eau Ajustables

Les modes de lavage avant, arrière et fort proposent quatre réglages de température d'eau et cinq réglages de pression d'eau.

Pulsé

Lorsque ce mode est activé, la pression de l'eau augmente et diminue automatiquement pour fournir une vaporisation de nettoyage pulsée.

Séchoir à Air Chaud

Inclut la température réglable avec cinq niveaux pour une expérience mains libres et une réduction, voire une élimination du papier de toilette.

Oscillation de la Buse

La fonction Mouvement assure un nettoyage par massage oscillant pendant le cycle de lavage, garantissant un lavage en profondeur et confortable.

Fonction de Lavage en Douceur

Active un cycle de lavage pré-réglé au réglage le plus doux pour un nettoyage en douceur.

Siège Chauffant Ergonomique

Avec quatre réglages de température (haute/moyenne/basse/arrêt).

Veilleuse Éclairante

La lumière bleutée fraîche de la veilleuse signifie qu'il n'est plus nécessaire d'utiliser de lumières aveuglantes lors des allées et venues nocturnes à la salle de bain à minuit.

Siège et Couvercle à Fermeture Lente

Le siège et le couvercle à fermeture lente « sans claquage » sont faciles à utiliser.

Mode Écologique

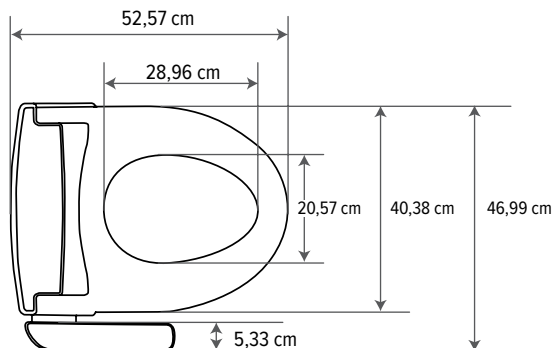
Lorsqu'elle est activée, cette fonction réduit automatiquement la température de l'eau et la température du siège à l'un de deux réglages différents.

Siège à Dégagement Rapide

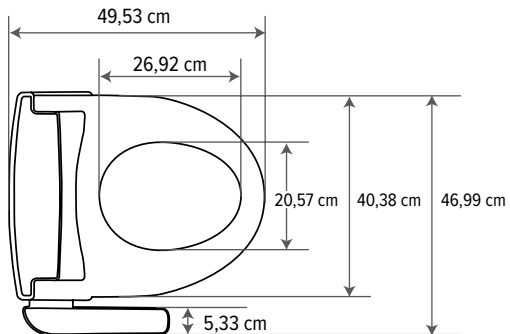
Bouton de dégagement rapide pour faciliter le retrait et le nettoyage du siège et de la toilette.

Dimensions du Produit

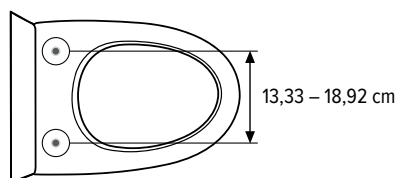
Vue du Dessus, Modèle Allongé



Vue du Dessus, Modèle Rond

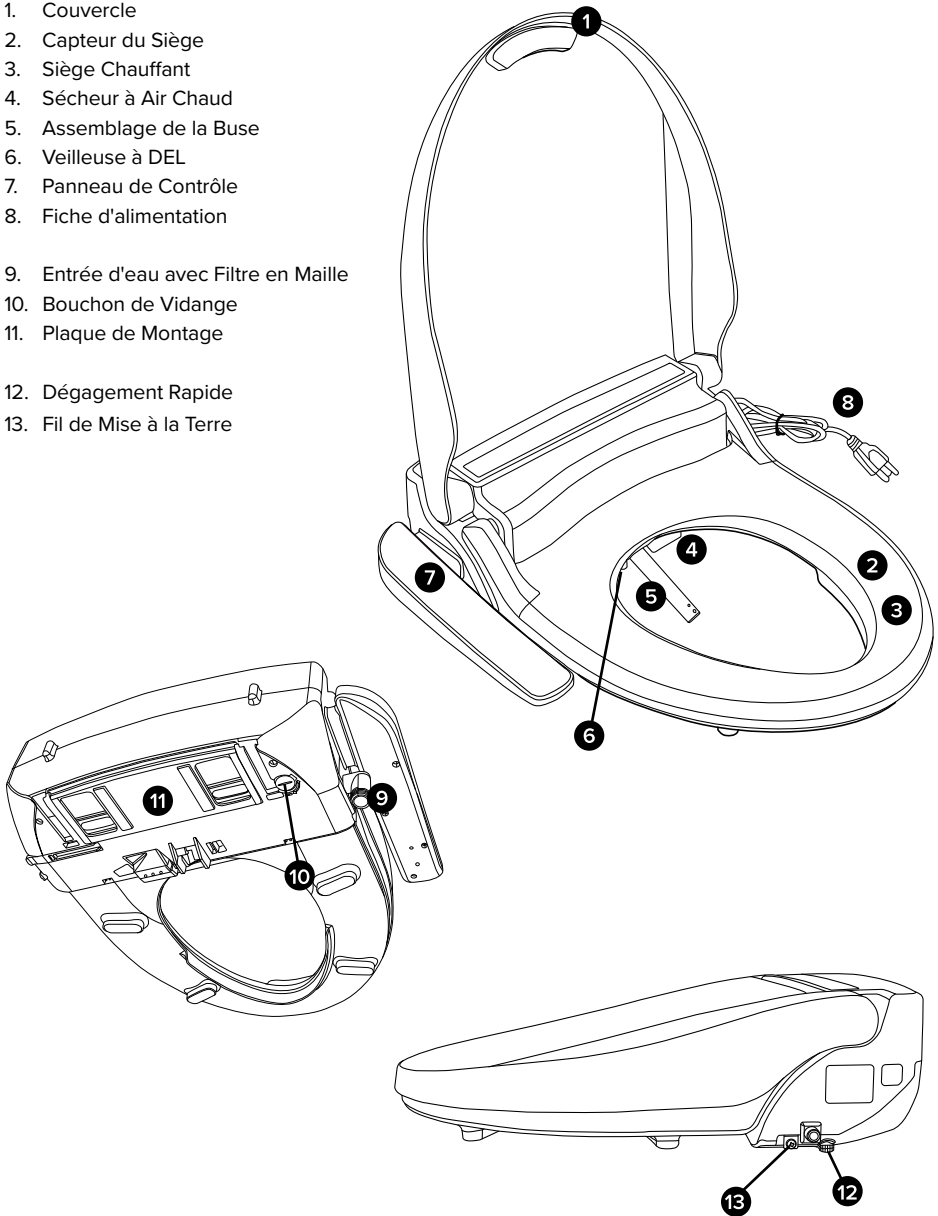


Distance Requise Entre les trous de Montage



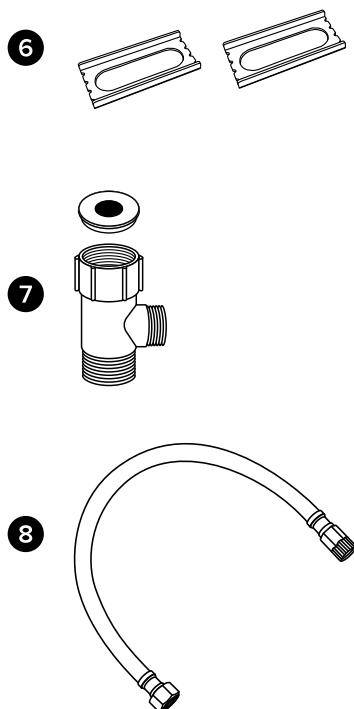
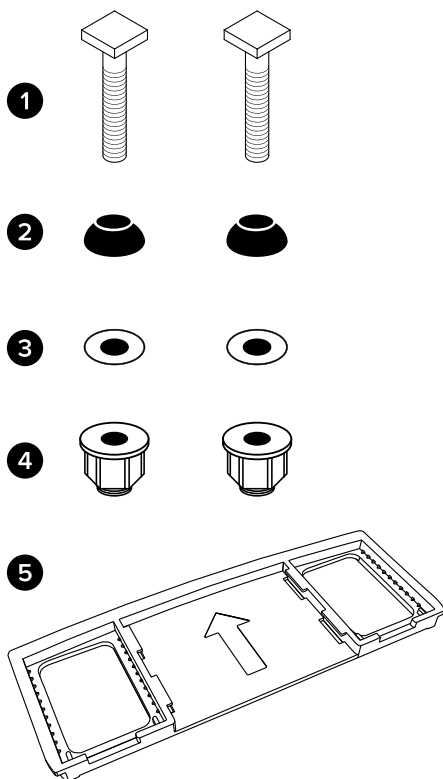
Pièces du Produit

1. Couvercle
2. Capteur du Siège
3. Siège Chauffant
4. Sécheur à Air Chaud
5. Assemblage de la Buse
6. Veilleuse à DEL
7. Panneau de Contrôle
8. Fiche d'alimentation
9. Entrée d'eau avec Filtre en Maille
10. Bouchon de Vidange
11. Plaque de Montage
12. Dégagement Rapide
13. Fil de Mise à la Terre



Pièces pour l'Installation

1. Boulon de Montage (2)
2. Rondelle Conique en Caoutchouc (2)
3. Rondelle Plate (2)
4. Écrous (2)
5. Plaque de Montage
6. Attaches Ajustables (2)
7. Connecteur de Valve en T avec Rondelle en Caoutchouc
8. Tuyau de Bidet



Avant l'Installation



NE BRANCHEZ PAS LE DISPOSITIF LORSQUE L'APPAREIL EST À L'ENVERS

Cela pourrait endommager les composants internes.

REGARDEZ NOTRE VIDÉO D'INSTALLATION

Tutoriels pour l'installation de tous les produits Swash disponibles en ligne sur brondell.com.

VÉRIFICATION DE L'ÉCARTEMENT DES BOULONS

Ce siège de bidet ne peut être installé que sur des toilettes avec une largeur de trou de boulon comprise entre 13,33 – 18,92 cm (consultez la section Dimensions du dispositif à la page 61 pour plus d'informations).

VÉRIFIER POUR UNE INSTALLATION PAR LE DESSUS

Si votre appareil ne dispose que d'un accès par le haut aux boulons de montage qui maintiennent le siège sur la toilette, vous aurez probablement besoin d'acheter l'ensemble de quincaillerie du bidet Swash que l'on peut trouver sur brondell.com.

VÉRIFIER LA VALVE DE REMPLISSAGE DE LA TOILETTE

De nombreuses toilettes modernes ont des conceptions épurées conçues pour recouvrir et camoufler les raccords de plomberie, ce qui rend difficile ou impossible une installation ordinaire d'un appareil Swash. Dans ce cas, nous vous recommandons d'utiliser notre valve en T optionnelle pour siège de bidet Swash, disponible sur brondell.com.

VÉRIFIER LA CONDUITE D'ALIMENTATION EN EAU

Vérifiez la canalisation qui relie le réservoir de toilette au robinet de sectionnement d'eau. S'il s'agit d'un tuyau rigide, vous devrez peut-être vous procurer un tuyau flexible pour le remplacer avant d'installer le Swash. La longueur du tuyau et la taille des raccords varient.

HUMIDITÉ RÉSIDUELLE NORMALE Chaque dispositif est testé avec de l'eau pure pendant le fonctionnement pour assurer la plus haute qualité et la plus haute performance. Il est normal de trouver une petite quantité d'humidité résiduelle sur le produit, dans le réservoir et dans le filtre.

OUTILS

Il peut être nécessaire d'utiliser un tournevis cruciforme ou un tournevis standard pour retirer le siège de toilette existant et une clé standard pour les raccords d'alimentation en eau étanches. Du ruban à joints peut être utile pour créer un joint étanche entre les raccords de plomberie.

Installation du Swash

Veillez lire attentivement ces instructions avant d'installer votre Swash. Si vous ne le faites pas, il pourrait en résulter un dégât d'eau, des fuites ou des dommages au dispositif.

REMARQUE : Les étapes peuvent varier selon le type de siège et de toilette.

1. Retrait du siège de toilette existant
 - a. Soulevez les charnières du couvercle et utilisez un tournevis pour retirer les boulons de fixation.
 - b. Retirez le siège de toilette. Conservez pour une utilisation future.
2. Fermez la valve d'alimentation en eau et tirez la chasse de la toilette
 - a. Fermez l'entrée d'eau pour arrêter le débit d'eau.
 - b. Tirez la chasse et maintenez la poignée pour vider complètement le réservoir.
 - c. Débranchez le tuyau d'arrivée d'eau du réservoir de la toilette. Ne débranchez pas le bidet de la valve d'alimentation en eau.

REMARQUES

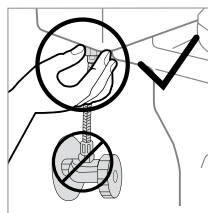
- Il pourrait être souhaitable de placer un récipient sous le réservoir pour récupérer l'excès d'eau.
- Ne continuez pas sans avoir suivi les étapes ci-dessus.
- Si vous ne le faites pas, il pourrait en résulter un dégât d'eau, des fuites ou des dommages au Swash.

3. Raccordez la partie supérieure de la valve en T au raccord d'arrivée d'eau située au bas de votre réservoir de toilettes.
 - a. Vérifiez que la rondelle en caoutchouc est bien placée dans la valve en T contre le métal et que le bec est dirigé vers le raccord du réservoir de toilettes.
 - b. Installez la valve en T avec la rondelle en caoutchouc sur le raccord d'eau entrant au fond de votre réservoir d'eau.

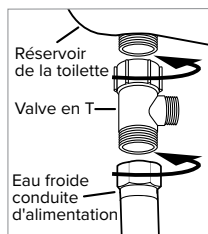
REMARQUES

- La valve en T se raccorde à la valve de remplissage directement sous le réservoir de votre toilette, elle ne se raccorde pas au mur.
- Connectez-vous uniquement à la conduite d'alimentation en eau froide de la toilette.
- Si votre conduite d'alimentation en eau est rigide, vous devrez peut-être la remplacer avant de continuer.

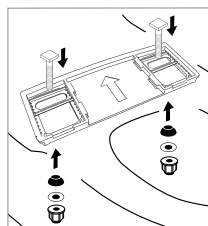
4. Raccordez la conduite d'alimentation en eau provenant du mur au bas de la valve en T.
5. Installez la plaque de montage pour une installation standard
 - a. Placez la plaque de montage sur les trous de montage de la toilette, le côté en caoutchouc orienté vers le bas, la flèche pointant vers le réservoir de la toilette.
 - b. Placez les supports réglables, côté plat vers le bas, au centre de l'ouverture carrée dans la plaque de montage et insérez les boulons de montage à travers les supports réglables et les trous



Étape 2



Étape 3-4



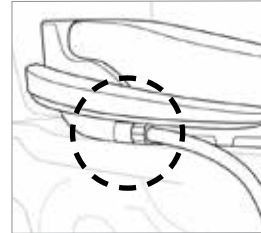
Étape 5b-5c

Installation du Swash

c. Faites glisser la rondelle conique en caoutchouc, la rondelle plate, puis l'écrou sur les boulons de montage situés sous la cuvette de la toilette et serrez-les pour maintenir la plaque de montage en place.

6. Raccordez le tuyau du bidet au siège

Raccordez le côté en plastique du tuyau du bidet à l'arrivée d'eau. Serrez à la main pour fixer. Veillez à ne pas tordre le tuyau du bidet, à ne pas le plier excessivement et à ne pas dénuder le filetage des vis en plastique lors du vissage du tuyau sur le siège du bidet.

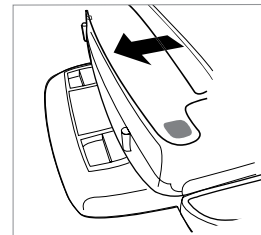


Étape 6

7. Fixez le Swash sur la plaque de montage

a. Placez le Swash à plat sur la cuvette des toilettes devant la plaque de montage et faites glisser le siège sur la plaque jusqu'à ce qu'il soit bien en place.

b. Si le siège semble trop court ou trop long pour la toilette, ajustez la plaque de montage en conséquence. Pour ajuster la plaque de montage, desserrez les écrous sous la toilette et faites glisser le siège vers l'avant ou l'arrière, si nécessaire. Une fois que le siège est correctement aligné, serrez les écrous pour le maintenir en place.



Étape 7

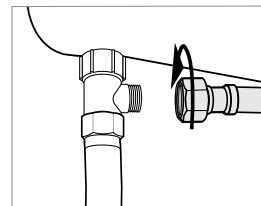
REMARQUE : Pour les personnes qui présentent des problèmes de mobilité, nous recommandons nos sièges de bidet Swash 1400 ou Swash 1000, car leurs systèmes de montage sont conçus pour les transitions les plus sécuritaires depuis les fauteuils roulants et déambulateurs.

8. Raccordez l'extrémité ouverte du tuyau du bidet à la valve en T.

9. Ouvrez l'alimentation en eau

a. Ouvrez lentement la valve d'alimentation en eau principale et vérifiez qu'elle ne fuit pas.

b. Attendez 5 minutes, vérifiez à nouveau et, s'il n'y a pas de fuite, continuez l'installation.



Étape 8

10. Branchez le cordon d'alimentation dans une prise électrique.

La buse va se déployer et se rétracter.

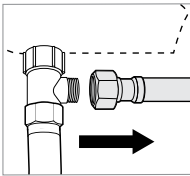
REMARQUE : Assurez-vous de n'utiliser qu'une prise de courant avec disjoncteur de fuite à la terre. En cas de court-circuit, une prise avec mise à la terre peut aider à prévenir les décharges électriques ou les blessures.

11. Suivez les instructions à la page 70 pour utiliser le Swash.

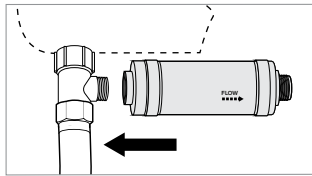
Installation du Filtre Externe du Bidet

REMARQUE : Les clients disposant d'eau dure, d'eau de puits et d'eau adoucie peuvent prolonger la durée de vie de leur siège de bidet en achetant et en installant un filtre externe pour l'eau en à utiliser avec le Swash. Le filtre du bidet doit être changé tous les six mois et peut être acheté en ligne au brondell.com.

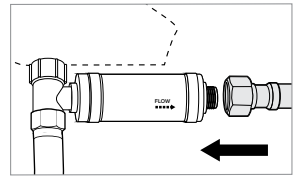
1. Fermez la valve d'alimentation en eau et tirez la chasse de la toilette
 - a. Fermez l'entrée d'eau pour arrêter le débit d'eau.
 - b. Tirez la chasse et maintenez la poignée pour vider complètement le réservoir.
2. Débranchez le tuyau du bidet de la valve en T.
3. Connectez l'extrémité femelle du filtre du Swash au raccord ouvert de la valve en T.
4. Branchez le tuyau du bidet à l'extrémité mâle du filtre du Swash.
5. Rouvrez le robinet d'alimentation en eau de la toilette.



Étape 2

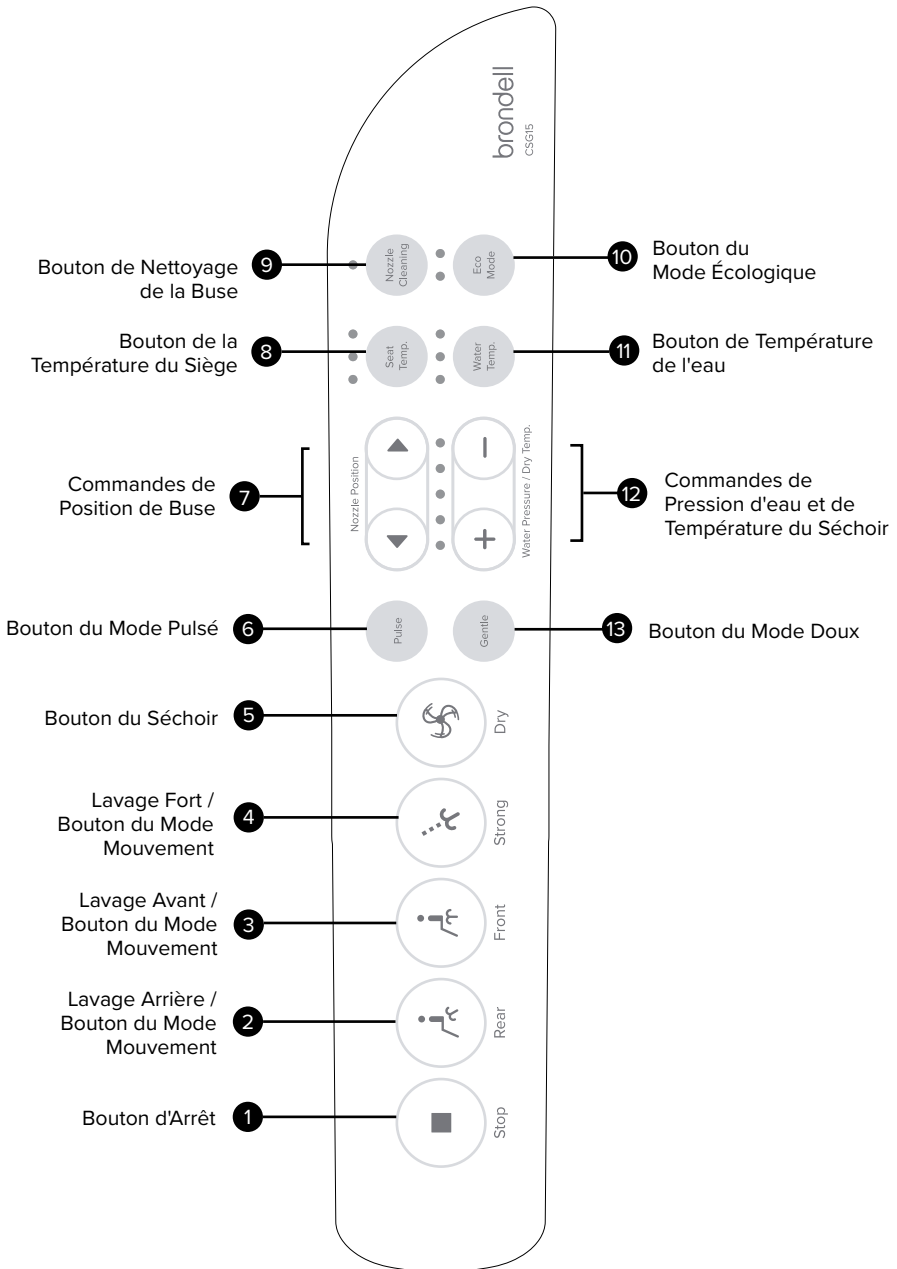


Étape 3



Étape 4

CSG15 Panneau de Commande



CSG15 Panneau de Commande

1. Bouton d'Arrêt

Arrête toutes les fonctions de lavage et de séchage en cours.

2. Bouton de Lavage Arrière / Mode Mouvement

Appuyez une fois sur pour lancer un lavage arrière. Appuyez à nouveau pour lancer l'oscillation de la buse (mouvements répétitifs de la buse vers l'avant et vers l'arrière).

3. Bouton de Lavage Avant / Mode Mouvement

Appuyez une fois sur pour lancer un lavage avant. Appuyez à nouveau pour lancer l'oscillation de la buse (mouvements répétitifs de la buse vers l'avant et vers l'arrière).

4. Bouton de Lavage Fort / Mode Mouvement

Appuyez une fois sur pour lancer un lavage fort. Appuyez à nouveau pour lancer l'oscillation de la buse (mouvements répétitifs de la buse vers l'avant et vers l'arrière).

5. Bouton de Séchage

Appuyez une fois sur cette touche pour lancer un cycle de séchage à air chaud de deux minutes.

6. Bouton Mode Pulsé

Appuyez sur cette touche pendant le lavage pour permettre à l'eau d'augmenter et de diminuer de manière répétée la pression dans une configuration par pulsation.

7. Bouton de Position de la Buse

Appuyez sur les touches fléchées vers le haut et vers le bas pour régler la position de la buse vers l'avant et vers l'arrière pendant un cycle de lavage.

8. Bouton et Indicateurs de Température du Siège

Appuyez sur le bouton de température du siège et relâchez-le pour régler la température du siège sur l'un des quatre réglages suivants (faible : 34 °C, moyenne : 38 °C, élevée : 42 °C et désactivée). Les paramètres seront sauvegardés pour la prochaine utilisation.

9. Bouton de Nettoyage de la Buse

Appuyez sur ce bouton pour lancer le nettoyage de la buse lorsque vous n'êtes pas assis sur le siège ou lorsque le capteur de siège est désactivé. Pour plus de détails sur l'entretien la buse, voir page 74.

10. Bouton et Indicateur du Mode Écologique

Appuyez sur le bouton du mode écologique, puis relâchez-le pour sélectionner l'une des deux options d'économie d'énergie (Standard, Haute efficacité). Voir page 71 pour plus d'informations.

11. Bouton et Indicateurs de Température de l'eau

Appuyez sur le bouton de température de l'eau et relâchez-le pour régler la température de l'eau de sortie sur l'un des quatre réglages suivants Low (basse) : 33 °C, Medium (moyenne) : 36 °C, High (haute) : 39 °C et désactivée). Les paramètres seront sauvegardés pour la prochaine utilisation.

12. Bouton et Indicateurs de Pression d'eau et de Température du Séchoir

Appuyez sur les touches « + » et « - » pour augmenter ou diminuer la pression d'eau sortante selon l'un des cinq réglages. Si vous appuyez sur ces boutons lorsque le sècheur à air chaud est en marche, la température de séchage sera ajustée. Pour le lavage avant, le lavage arrière et le séchage, les réglages seront enregistrés pour la prochaine utilisation. Pour le lavage fort, les réglages de pression les plus élevés seront appliqués par défaut à toutes les utilisations.

13. Bouton Mode Doux

Appuyez sur ce bouton pour lancer un cycle de lavage doux de deux minutes suivi d'un cycle de séchage de deux minutes. Consultez la page 70 pour plus d'informations.

Utilisation du CSG15

REMARQUE : Les fonctions de lavage ne fonctionneront que si le capteur situé dans le siège détecte une personne assise (avec le capteur de conductivité cutané intégré). Pour déroger aux indications du capteur de siège, veuillez vous reporter aux instructions de la page 71.

Préparez-vous pour le Lavage

Asseyez-vous sur le siège pour assurer un contact peau-à-siège sur le capteur de siège.

Une fois le contact établi, les voyants de pression d'eau éclaireront.

Lavage à l'eau Tiède

Lorsque vous êtes prêt à laver, appuyez une fois sur le bouton Rear Wash (lavage arrière), Front Wash (lavage avant) ou Strong Wash (lavage puissant) du panneau de commande pour commencer un lavage. La buse s'auto-nettoiera, se déploiera dans la cuvette de la toilette, vaporisera pendant deux minutes, s'arrêtera automatiquement, se rétractera et s'auto-nettoiera à nouveau.

1. Appuyer une deuxième fois sur les boutons Rear Wash (lavage arrière), Front Wash (lavage avant) ou Strong Wash (lavage fort) pendant le lavage fera osciller la buse vers l'avant et vers l'arrière, offrant ainsi une plus large portée de vaporisation pour le lavage. Appuyez à nouveau pour annuler la fonction mouvement.
2. Pendant le lavage, les utilisateurs peuvent régler la température de l'eau, la pression et la position de la buse, ainsi que lancer la fonction pulsation en suivant les remarques de la page 69.
3. Si vous souhaitez arrêter le lavage avant la fin du cycle de deux minutes, appuyez sur le bouton Stop (arrêt) pour arrêter le débit d'eau.
4. Après une utilisation prolongée, la température de l'eau peut diminuer si on sélectionne un réglage de température d'eau Low (basse), Medium (moyenne) ou High (Haute) est sélectionné. Pour obtenir de l'eau plus chaude de nouveau, arrêtez toutes les fonctions de lavage pendant trois minutes pour permettre au bidet de réchauffer l'eau.

Fonction de Séchage À Air Chaud

Appuyez sur le bouton Dry (sécher) pour activer le séchoir à air chaud. Le séchoir fonctionnera pendant deux minutes et s'éteindra automatiquement.

1. Lorsque le sécheur est en marche, les utilisateurs peuvent régler la température du séchoir à un niveau confortable à l'aide des boutons de température de séchage « + » et « - ». La température du séchoir apparaîtra sur les cinq voyants indicateurs à DEL.
2. Si vous souhaitez arrêter le séchoir avant que les deux minutes se soient écoulées, appuyez sur Stop (Arrêter).

Mode Doux

Tous les réglages du mode doux sont 40 % plus doux que les modes de lavage standard. Une fois activé, le mode doux commence un lavage de deux minutes comprenant :

- Déploiement complète de la buse
- Pression d'eau ajustée au réglage Low (faible)
- Lavage avant pendant une minute, oscillation de la buse pendant 30 secondes, puis pulsations pendant 30 secondes.

Une fois le cycle de lavage terminé, le mode doux lance un cycle de séchage à air chaud de deux minutes au niveau deux

REMARQUE : Lorsque le cycle du Mode doux est en cours, le réglage de la pression de l'eau peut être ajusté. Les réglages du séchoir sont également réglables en mode doux.

Fonctionnement en Mode Spécial

Mode Écologique

Dans ce mode, la température de l'eau dans le réservoir et du siège peut être réduite à l'un des deux réglages d'économie d'énergie différents.

Mode écologique standard : Appuyez sur le bouton Eco Mode (mode écologique) jusqu'à ce que le voyant jaune s'allume pour une consommation d'énergie réduite, et que la température de l'eau et du siège soit chauffée à 22,6 °C (89,6 °F). Une fois qu'une personne est assise sur le bidet, le Swash rétablit les derniers réglages de siège et de température de l'eau utilisés. Appuyez sur le bouton Mode écologique jusqu'à ce qu'il n'y ait plus de voyants allumés pour désactiver le mode écologique.

Mode écologique haute efficacité : Appuyez sur le bouton Eco Mode (Mode écologique) jusqu'à ce que le voyant vert s'allume pour une économie d'énergie élevée et que la température du siège et de l'eau s'éteigne lorsque le bidet n'est pas utilisé. Une fois qu'une personne est assise sur le bidet, le Swash rétablit les derniers réglages de siège et de température de l'eau utilisés. Appuyez sur le bouton Mode écologique jusqu'à ce qu'il n'y ait plus de voyants allumés pour désactiver le mode écologique.

Mode Bain de Siège

En Mode bain de siège, la pression d'eau est réglée sur le niveau le plus bas, quels que soient les réglages de pression d'eau prédéfinis. Pour activer le Mode bain de siège, appuyez sur le bouton de nettoyage de la buse pendant un cycle de lavage avant ou arrière. Le Mode bain de siège fonctionnera automatiquement pendant cinq minutes. Le voyant à DEL de nettoyage de buse sur le bras latéral s'allume pour indiquer que le Mode bain de siège est activé. Pour arrêter le Mode bain de siège avant la fin du cycle de cinq minutes, appuyez sur le bouton Nozzle Cleaning (nettoyage de la buse).

Neutralisation du Capteur de Siège

1. Pour activer la neutralisation du capteur de siège, maintenez le bouton Pulse (pulsation) enfoncé pendant quatre secondes. Un bip se fera entendre et les voyants Nozzle Position (Position de la buse) et Water Pressure/Dry Temps (Pression d'eau/Température de séchage) s'allumeront pour indiquer que le capteur de siège a été désactivé. Si le Swash est en Mode silencieux, il n'y aura pas de bip et seuls les voyants Position de la buse et Pression de l'eau/Température de séchage s'allumeront. Les voyants Nozzle Position (Position de la buse) et Water Pressure/Dry Temp (Pression de l'eau/Température de séchage) resteront allumés aussi longtemps que la neutralisation du capteur de siège sera activée.
2. Pour désactiver la neutralisation du capteur de siège, maintenez le bouton Pulse (pulsation) enfoncé pendant quatre secondes. Deux bips se feront entendre et les voyants Nozzle Position (Position de la buse) et Water Pressure/Dry Temp (Pression d'eau/Température de séchage) s'éteindront.

REMARQUES

- L'activation ou la désactivation de la neutralisation du capteur de siège n'est pas possible en position assise.
- Le Swash ne peut pas être mis en mode silencieux tant que la neutralisation du capteur de siège est activée.
- La fonction de nettoyage de buse ne fonctionnera pas si la neutralisation du capteur de siège est activée. Pour lancer le nettoyage de la buse, vous devez d'abord désactiver le capteur de siège.

Fonctionnement en Mode Spécial

Activation / Désactivation du Mode Silencieux

1. Pour activer le Mode silencieux, maintenez enfoncé le bouton « – » de pression de l'eau/température de séchage pendant quatre secondes. Un bip retentira pour indiquer que le Mode silencieux a été activé.
2. Pour désactiver le mode silencieux, maintenez enfoncé le bouton « – » de pression de l'eau/température de séchage pendant quatre secondes. Deux bips se feront entendre pour indiquer que le Mode silencieux a été désactivé.

Activation / Désactivation de la Veilleuse

La veilleuse est activée par défaut en usine.

1. Pour désactiver la veilleuse, maintenez enfoncé « + » pendant quatre secondes. Cette fonction ne peut pas être exécutée en étant assis sur le siège.
2. Pour activer la veilleuse, maintenez enfoncé « + » pendant quatre secondes. Cette fonction ne peut pas être exécutée en étant assis sur le siège.

Mode Veille

En Mode veille, le Swash est essentiellement mis hors tension. La veilleuse et les voyants latéraux, le chauffe-siège et le chauffe-eau s'éteindront.

1. Pour activer le Mode veille, maintenez le bouton Stop (arrêt) enfoncé pendant quatre secondes. L'appareil va s'éteindre.
2. Pour sortir le Swash du mode veille, appuyez sur le bouton Stop (arrêt), Front (avant) ou Strong (fort).

Réinitialisation d'Usine

Il est possible de réinitialiser les paramètres Swash pour les ramener aux paramètres d'usine.

Pour rétablir les paramètres d'usine par défaut, maintenez enfoncé le bouton Stop (arrêt) pendant dix secondes. Un bip retentira deux secondes plus tard pour indiquer le début du processus de réinitialisation et un autre bip retentira quatre secondes plus tard pour indiquer que la réinitialisation est activée.

Vidange (Purge) Automatique du Réservoir

1. Pour éviter la stagnation, il est possible de régler le volume d'eau dans le réservoir d'eau chaude pour qu'il s'écoule et se remplisse si le siège n'a pas été utilisé depuis 48 heures.
2. Pour programmer cette fonction, appuyez simultanément sur « Stop » (arrêt) et « Water Temp » (température de l'eau) et maintenez les boutons enfoncés pendant quatre secondes.

Spécifications du Produit

SIÈGE DE BIDET AVANCÉ BRONDELL SWASH

| | |
|----------------------------------|---|
| Modèle | CSG15-EW, CSG15-RW |
| Tension d'alimentation | 120 V / 60 Hz |
| Consommation électrique maximale | 870 W |
| Pression d'eau d'alimentation | 0,69 kg/cm ² – 7,50 kg/cm ² |
| Dimensions | Allongé : 46,99 cm x 52,57 cm x 14,47 cm Rond : 46,99 cm x 49,53 cm x 14,47 cm |
| Poids | Allongé : 5,29 kg / Rond : 5,09 kg |
| Température de l'eau entrante | 3 °C – 40 °C |
| Filtre en maille | 1,2 cm x 1,1 cm de diamètre |
| Limite de poids du siège | 149,68 kg |
| Limite de poids du couvercle | 72,57 kg |

DISPOSITIF DE LAVAGE À L'EAU CHAUDE

| | |
|---|--|
| Lavage arrière | Maximum 0,8 L/min., Buse auto-nettoyante |
| Lavage avant | Maximum 0,8 L/min., Buse auto-nettoyante |
| Lavage fort | Maximum 0,6 L/min., Buse auto-nettoyante |
| Durées habituelle | Lavage arrière : 2 minutes, Lavage avant : 2 minutes, Lavage fort : 2 minutes |
| Contrôle de la pression de l'eau | 5 niveaux |
| Contrôle de la température de l'eau | 4 niveaux : Off – température de l'eau entrante, Basse - 34 °C, Moyenne - 36 °C, Maximale - 39 °C |
| Consommation maximale du système de chauffe | 800 W |
| Dispositifs de sécurité | Fusible thermique, thermostat, capteur de niveau d'eau, capteur thermique, bimétal |

SIÈGE CHAUFFANT

| | |
|---|---|
| Contrôle de la température du siège | 4 niveaux : Off – température ambiante, Basse - 34 °C, Moyenne - 38 °C, Haut – 42 °C |
| Consommation maximale du système de chauffe | 55 W |
| Dispositifs de sécurité | Thermostat, fusible thermique, capteur thermique, capteur de siège occupé |

REMARQUE : Les spécifications ci-dessus sont sujettes à modification sans préavis pour des raisons d'amélioration des performances du produit.

Nettoyage du Siège et Retrait, Nettoyage de la Buse



Débranchez le Swash de la source d'alimentation avant de nettoyer ou de retirer le siège.

Nettoyage du Siège et Retrait

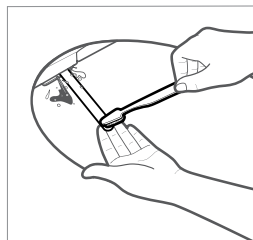
Utilisez un chiffon doux et humide et un nettoyant doux (tel que du savon à vaisselle, Simple Green ou Windex) pour essuyer le siège. NE PAS frotter ni utiliser de produits abrasifs puissants pour nettoyer le Swash. N'UTILISEZ PAS de diluant, de benzène, de produits chimiques acides, de chlorure ou de détergent à l'acide chlorhydrique. Cela pourrait entraîner une corrosion des pièces métalliques, une décoloration ou des rayures sur le corps du bidet.

Pour un nettoyage plus en profondeur, vous pouvez retirer le Swash. Pour retirer le bidet, appuyez sur le bouton Quick Release (déverrouillage rapide) et faites glisser le siège vers l'extérieur de la plaque de montage et des toilettes.

REMARQUE: Veillez à ne pas laisser les produits de beauté personnels et de maison entrer en contact avec le siège du bidet, car cela pourrait provoquer une décoloration irréversible. La plupart des taches peuvent être éliminées à l'aide d'un mélange 1:1 d'alcool à friction et d'eau, à l'aide d'un chiffon doux ou d'une serviette. Cependant, certaines taches permanentes sont dues à des substances laissées sur le siège alors que le chauffage du siège était activé. Méfiez-vous des produits pour la maison et des produits de beauté (y compris, sans toutefois s'y limiter, les vaporisateurs, les lotions, les produits de lavage corporel, les produits bronzants pour la peau, les beurres corporels et les huiles pour les cheveux et l'air), qui entrent en contact avec le siège. Lavez toutes les substances qui entrent en contact avec le siège dès que possible. Si nécessaire, il est possible d'acheter les pièces de rechange auprès du soutien client de Brondell.

Nettoyage de la Buse

1. Appuyez sur le bouton Nettoyage de la buse du panneau de commande. La buse va s'étendre dans la cuvette des toilettes et s'autonettoyer trois fois. La buse arrêtera le nettoyage et restera déployée pour permettre un nettoyage manuel.
2. Nettoyez doucement la buse manuellement avec un chiffon doux ou une brosse à dents.
3. Appuyez à nouveau sur le bouton Nettoyage de la buse. La buse s'auto-nettoiera trois fois et se rétractera.



Étape 2

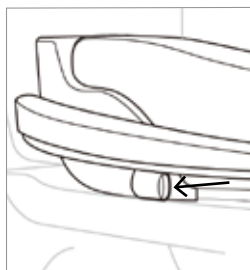
REMARQUE : La fonction Nettoyage de la buse ne fonctionnera pas si le siège est occupé ou si le capteur de siège a été remplacé.

Nettoyage du Filtre en Maille, Entreposage du Dispositif

Nettoyage du Filtre en Maille

Les intervalles de nettoyage varient en fonction de l'utilisation et de la qualité de l'eau. Il est recommandé de vérifier le filtre au moins une fois par an.

1. Fermez l'alimentation en eau et maintenez le levier de chasse d'eau de la toilette jusqu'à ce que toute l'eau se soit écoulée du réservoir.
2. Débranchez le Swash, retirez le bidet des toilettes et débranchez le tuyau du bidet. Il pourrait être souhaitable d'utiliser un seau pour récupérer les gouttes d'eau qui s'écoulent du tuyau du bidet.
3. Retirez le filtre en maille de l'arrivée d'eau avec une pince à épiler ou une pince à bec effilé.
4. Nettoyez le filtre avec une brosse à dents tout en le faisant couler dans l'eau du robinet pour éliminer efficacement toute substance étrangère ou toute accumulation.
5. Remplacez le filtre à tamis et vérifiez soigneusement qu'il est correctement installé. S'il est mal installé, le produit risque de fuir.
6. Rebranchez le tuyau du bidet et replacez le siège sur la toilette. Rebranchez le cordon et rallumez l'alimentation en eau.



Étape 3

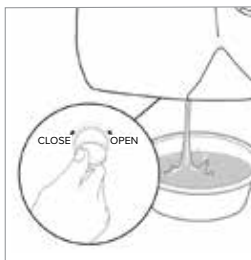
Entreposage du Dispositif

Arrêt d'utilisation Court Terme

Si le produit ne doit pas être utilisé pendant plus de quelques semaines, vous pouvez simplement le débrancher. Vous pouvez également envisager de couper l'alimentation en eau au mur pour plus de précaution.

Non-utilisation à Long Terme

Si le dispositif ne doit pas être utilisé pendant une période prolongée (plus de quatre mois), vous devez le débrancher, couper l'alimentation en eau venant du mur et retirer le Swash de la toilette. Pour retirer le bidet, appuyez sur le bouton Quick Release (déverrouillage rapide) et faites glisser le siège vers l'extérieur de la plaque de montage et des toilettes. Retirez le tuyau du bidet. Pour vider le chauffe-eau, utilisez une pièce de monnaie pour dévisser le bouchon de vidange situé au bas du siège du bidet, en le tournant de 90 degrés dans le sens des aiguilles d'une montre vers « OPEN » (ouvert). À l'aide de votre doigt, libérez délicatement le bouchon du corps du siège. Lorsque l'eau est complètement drainée, remettez le bouchon et verrouillez-le.



Dépannage

Si le bidet semble fonctionner anormalement, veuillez consulter les conseils de dépannage ci-dessous avant d'appeler le Centre de service de Brondell, car la plupart des problèmes sont facilement résolus en quelques étapes simples. Si vous ne parvenez pas à résoudre le problème après avoir vérifié les conseils, veuillez appeler le Centre de service au : **1 888 542-3355**, LUN-VEN, 9 h–17 h HNP ou communiquez avec nous par courriel au support@brondell.com.

Vérifiez avant de continuer :

- Assurez-vous que le Swash est connecté et que la prise fonctionne correctement.
- Assurez-vous que vous avez vérifié et testé le bouton de réinitialisation de la prise avec fuite à la terre (prise DDFT 120 V standard).
- Assurez-vous que l'entrée d'eau principale est ouverte.
- Assurez-vous que le siège n'est pas en Mode écologique standard ou à haute efficacité.
- Assurez-vous qu'il n'y a pas de fuite dans les tuyaux ou l'alimentation en eau.
- Assurez-vous que le filtre en maille est propre et libre de toute accumulation ou débris (voir la section de maintenance à la page 75).

Après avoir vérifié les éléments ci-dessus, consultez le tableau de dépannage suivant pour des solutions supplémentaires.

| Problème | Cause(s) Possible(s) | Solution(s) |
|--|--|--|
| Le siège du bidet ne fonctionne pas | 1. Bidet pas branché | 1. Assurez-vous que le bidet est branché. |
| | 2. La valve d'alimentation en eau n'est pas complètement ouverte | 2. Vérifiez que la valve d'alimentation en eau au mur est complètement ouverte. |
| | 3. Le Swash n'a pas de puissance | 3. Vérifiez et réinitialisez la prise avec fuite à la terre (DDFT). |
| | 4. L'eau entrante est trop chaude | 4. Assurez-vous que le siège du bidet est raccordé à l'alimentation en eau froide. |
| | 5. Le capteur de siège n'est pas activé | 5a. Ajustez la position assise pour couvrir complètement le capteur de siège. 5b. Annulez le capteur de siège (voir page 71). |
| Le dispositif s'arrête pendant l'utilisation | 1. Le temps de lavage a dépassé le temps de cycle | 1. Les cycles de lavage durent deux minutes. Appuyez sur le bouton de lavage une fois le lavage terminé pour continuer le cycle de lavage. |
| | 2. Problème de courant | 2. Vérifiez et réinitialisez la prise avec fuite à la terre (DDFT). |
| | 3. Le capteur de siège n'est pas activé | 3a. Ajustez la position assise pour couvrir complètement le capteur de siège. 3b. Annulez le capteur de siège (voir page 71). |
| La buse ne fonctionne pas correctement | 1. La buse est sale | 1. Nettoyez la buse (voir page 74). |
| | 2. Filtre bouché | 2. Retirez, nettoyez et réinstallez le filtre en maille (consultez la page 75). |
| | 3. La pression de l'eau est trop basse | 3. Assurez-vous que la valve d'alimentation en eau au mur est complètement ouverte. |
| | 4. Filtre de bidet externe | 4. Si vous avez un filtre de bidet externe, vérifiez-le et remplacez-le si nécessaire. |

Dépannage

| Problème | Cause(s) Possible(s) | Solution(s) |
|---|--|--|
| Faible débit d'eau ou faible pression de vaporisation | 1. Filtre bouché | 1. Retirez, nettoyez et réinstallez le filtre en maille (consultez la section relative à l'entretien à la page 75). |
| | 2. La valve d'alimentation en eau n'est pas complètement ouverte | 2. Assurez-vous que la valve d'alimentation en eau au mur est complètement ouverte. |
| | 3. La buse est sale | 3. Nettoyez la buse (voir page 74). |
| | 4. Filtre de bidet externe | 4. Si vous avez un filtre de bidet externe, vérifiez-le et remplacez-le si nécessaire. |
| | 5. Réglages de pression | 5a. Augmentez les paramètres de pression d'eau. 5b. Vérifiez si le tuyau de raccordement est plié. |
| La température de l'eau est basse | 1. L'eau sort froide | 1a. Le niveau de température de l'eau est désactivé ou réglé sur Bas. Ajustez la température sur le panneau de commande. 1b. Désactivez le Mode écologique haute efficacité. |
| | 2. L'eau sort tiède | 2. Désactivez le Mode écologique standard. |
| | 3. L'eau commence chaude mais la température diminue | 3. De l'eau chaude peut être utilisée pendant environ 90 secondes au réglage moyen. Arrêtez toutes les fonctions de lavage pour permettre à l'appareil de chauffer l'eau. |
| Les fonctions de lavage ne fonctionnent pas ou ne parviennent pas à vaporiser | 1. Le capteur de siège n'est pas activé | 1a. Ajustez la position assise pour couvrir complètement le capteur de siège. 1b. Annulez le capteur de siège (voir page 71). |
| | 1. Le réglage de la température de l'eau est désactivé | 1. Assurez-vous que le réglage de la température de l'eau est activé. |
| Eau (lavage par vaporisation) non chauffée | 2. Fusible réarmable sauté | 2. Le fusible à bimétallique réarmable peut sauter si la température dépasse le niveau normal. Le bidet ne fonctionnera pas et affichera un message d'erreur jusqu'à ce qu'il ait refroidi. |
| | 3. Mode écologique réglé sur Haute efficacité | 3. Désactivez le Mode écologique ou modifiez le réglage en Mode écologique standard. |
| | 1. L'eau provenant de la buse | 1a. L'eau qui sort entre la buse avant ou après un cycle de lavage est le cycle d'autonettoyage et ne constitue pas un dysfonctionnement. 1b. L'eau résiduelle peut s'écouler dans la cuvette pendant plusieurs secondes après un cycle de lavage ou un cycle d'autonettoyage et ne constitue pas un dysfonctionnement. |

Dépannage

| Problème | Cause(s) Possible(s) | Solution(s) |
|--|---|--|
| Fuites d'eau provenant de zones autres que la buse | 1. Fuite d'eau depuis la valve en T | 1. Assurez-vous que le joint en caoutchouc est inséré correctement dans la valve en T (côté plat vers le bas avec la lèvre pointée vers le raccord du réservoir de la toilette) et serrez fermement le connecteur. |
| | 2. Fuite d'eau depuis le raccord du tuyau souple du bidet | 2. Assurez-vous que le tuyau du bidet est correctement raccordé et serré. Vérifiez les rondelles en caoutchouc et ne pas trop serrer. |
| | 3. Fuite d'eau sous le siège | 3. Vérifiez s'il y a quelque chose entre le filtre en maille et le bidet. Retirez, nettoyez et réinstallez le filtre en maille. Vérifiez si le filtre est endommagé (voir la section maintenance à la page 75). |
| | 4. Fuite d'eau derrière le siège | 4. Vérifiez le bouchon du réservoir d'eau à l'arrière du siège (voir la section relative à la maintenance sous Entreposage et utilisation du dispositif à la page 75). |
| Températures de l'eau voyants clignotant | 1. L'alimentation en eau n'est pas correctement raccordée | 1. Assurez-vous que le tuyau du bidet est correctement raccordé et serré. |
| Le siège n'est pas chauffé | 1. La température du siège est désactivée | 1. Assurez-vous que le réglage de la température du siège est activé. |
| | 2. Mode écologique réglé sur Haute efficacité | 2. Désactivez le mode écologique ou passez en mode écologique standard. |

Garantie

Les produits Brondell sont protégés par certaines des garanties les plus détaillées sur le marché. Brondell garantit que tous ses produits (mis à part les produits consommables) doivent être exempts de défaut de matière ou de fabrication selon un usage normal.

CSG15 Garantie Résidentielle Limitée de un An

La garantie couvre à 100 % toutes les pièces et la main-d'œuvre pour l'ensemble du produit (à l'exception des filtres consommables) pendant la première année suivant la date d'achat initiale.

CSG15 Garantie Commerciale

La garantie est d'une durée de un an suivant la date d'achat initiale pour tous les produits Brondell. Les garanties peuvent ne pas s'appliquer aux produits à utilisation intensive en milieu commercial ou hospitalier ainsi qu'à toute autre utilisation soutenue non résidentielle.

Exclusions et Restrictions

- BRONDELL garantit que ses produits sont exempts de défauts de fabrication dans des conditions normales d'utilisation et d'entretien. Cette garantie est offerte à L'ACHETEUR INITIAL uniquement.
- Sous cette garantie, les obligations de BRONDELL se limitent à la réparation ou au remplacement, au choix de BRONDELL, de produits ou de pièces jugés défectueux, dans la mesure où ceux-ci ont été installés et utilisés conformément aux instructions. BRONDELL se réserve le droit de procéder à des inspections, le cas échéant, en vue de déterminer la cause de la défectuosité. BRONDELL n'impose aucuns frais pour la main-d'œuvre ou les pièces liées aux réparations sous garantie pour une année suivant la date d'achat initiale, et ce, pour tous les produits, à l'exception de ceux soumis aux restrictions d'utilisation commerciale.
- BRONDELL n'est pas responsable des frais encourus pour le retrait, le retour (expédition) et la réinstallation de produits. Cette garantie ne s'applique PAS aux éléments suivants :
 - Dommages ou perte causés par l'expédition.
 - Dommage ou perte découlant de causes naturelles ou humaines hors du contrôle de BRONDELL, notamment les feux, les tremblements de terre, les inondations, etc.
 - Dommage ou perte découlant de sédiments ou de matières étrangères contenus dans un réseau d'eau.
 - Dommages ou perte causés par la négligence ou une mauvaise installation, incluant l'installation de l'appareil dans un environnement hostile ou dangereux.
 - Dommage ou perte découlant du retrait, d'une réparation inadéquate, d'une modification ou d'un mauvais entretien du produit, y compris les dommages causés par le chlore ou les produits associés au chlore.
 - Dommage ou perte découlant de surtensions, de pannes d'électricité, de foudroiements ou d'autres situations qui ne tiennent pas de la responsabilité de Brondell ou que le produit n'est pas conçu pour tolérer.
- Cette garantie vous confère des droits légaux particuliers. Il est possible que d'autres droits s'appliquent, selon la province où vous vous trouvez.

LA PRÉSENTE GARANTIE ÉCRITE CONSTITUE L'UNIQUE GARANTIE OFFERTE PAR BRONDELL. LE REMPLACEMENT ET LA RÉPARATION PRÉVUS PAR LA PRÉSENTE GARANTIE REPRÉSENTENT L'UNIQUE RECOURS DE L'ACHETEUR. BRONDELL NE PEUT ÊTRE TENU RESPONSABLE D'AUCUNE PERTE DE JOUISSANCE LIÉE AU PRODUIT OU DE TOUS DOMMAGES ACCIDENTELS, PARTICULIERS OU INDIRECTS, DE FRAIS ENGAGÉS PAR L'ACHETEUR OU POUR DE LA MAIN-D'ŒUVRE, DE FRAIS LIÉS À L'INSTALLATION, AU RETRAIT OU À UNE RÉPARATION DU PRODUIT EFFECTUÉS PAR UN TIERS, OU DE TOUS AUTRES FRAIS QUI NE SONT PAS EXPRESSÉMENT MENTIONNÉS PRÉCÉDEMMENT. SAUF SI CELA EST INTERDIT PAR LA LOI EN VIGUEUR, TOUTES GARANTIES IMPLICITES, Y COMPRIS LA GARANTIE MARCHANDE, SONT EXPRESSÉMENT LIMITÉES À LA DURÉE DE CETTE GARANTIE. CERTAINES PROVINCES NE PERMETTENT AUCUNE RESTRICTION; C'EST POURQUOI LES RESTRICTIONS ET EXCLUSIONS MENTIONNÉES CI-DESSUS PEUVENT NE PAS ÊTRE APPLICABLES À VOUS.

Comment Obtenir un Service

Pour bénéficier d'un service de réparation couvert par la présente garantie, communiquez avec un centre de services autorisé BRONDELL afin d'obtenir un numéro d'autorisation de retour de marchandise (ARM). Afin que la garantie soit valide, une copie de la facture originale doit accompagner l'unité retournée à titre de preuve d'achat. Apportez ou expédiez l'unité affranchie au centre de services autorisé BRONDELL le plus près de chez vous avec le numéro d'ARM ainsi que la preuve d'achat.

Pour obtenir le numéro d'ARM et localiser le centre de services BRONDELL le plus près de chez vous, veuillez appeler le 1 888 542-3355, du lundi au vendredi, entre 9 h et 17 h HNP.

brondell®

a healthy home experience

COORDONNÉES :

Brondell, Inc.

PO Box 470085

San Francisco, CA 94147-0085 USA

Email : support@brondell.com

Web : www.brondell.com

Pour toutes questions, communiquez
avec le service à la clientèle de Brondell :

1-888-542-3355

du lundi au vendredi

entre 9 h et 17 h HNP

FABRIQUÉ PAR :

Brondell, Inc.

PO Box 470085

San Francisco, CA 94147-0085 USA

Fabriqué en Corée

**Il est important de conserver les factures
pour des réclamations sur la garantie.**

brondell[®]
a healthy home experience

brondell.com