

**CADET® 3 FloWise® ELONGATED
10" ROUGH-IN COMPLETE TOILET**
VITREOUS CHINA

**CADET® 3 FloWise® ELONGATED
COMPLETE 10" ROUGH-IN TOILET**

- ❑ **3379.128**
 - Vitreous china
 - Meets definition for HET (High Efficiency Toilet)
 - High efficiency (4.8 Lpf/1.28 gpf)
 - Meets EPA WaterSense® criteria
 - EverClean® surface inhibits the growth of stain- and odor-causing bacteria, mold, and mildew on the surface
 - Features the **Cadet® 3 Flushing System**
 - Elongated siphon action jetted bowl
 - Fully-glazed 2-1/8" trapway
 - Generous 9" x 8" water surface area
 - Close-coupled tank with flat tank cover for superior storage
 - Oversized 3" flush valve with chemical resistant flapper
 - Chrome trip lever
 - Speed Connect® tank-to-bowl coupling system
 - Sanitary dam on bowl with four point tank stabilization
 - Color-matched elongated EverClean plastic seat with cover
 - Wax ring gasket with closet bolts
 - 2 color-matched bolt caps
 - 100% factory flush tested
 - 5 year warranty

- ❑ **3014.128** Elongated Bowl
- ❑ **3014.001** Elongated Universal Bowl
- ❑ **4019.128** Tank

Nominal Dimensions:

724 x 432 x 737mm
(28-1/2" x 17" x 29")

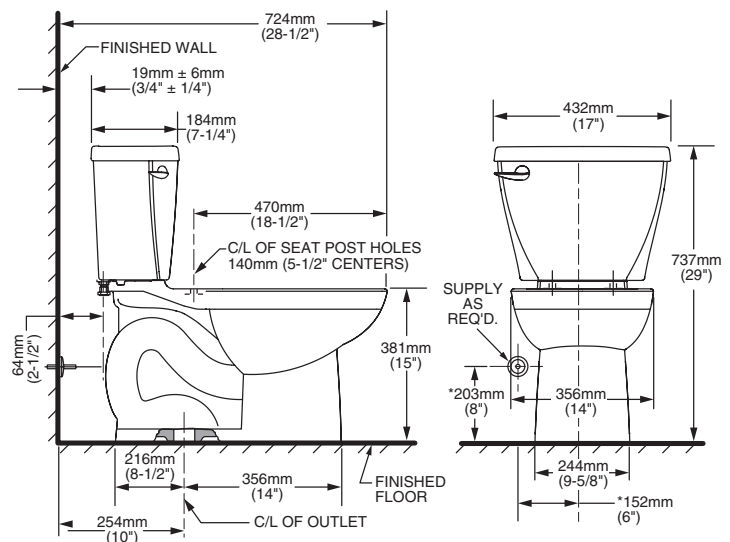
Compliance Certifications -

Meets or Exceeds the Following Specifications:

- ASME A112.19.2-2008/CSA B45.1-08 for Vitreous China Fixtures
- US EPA WaterSense® Specification for HET's

To Be Specified:

- ❑ Color: White
- ❑ Supply with stop:



NOTES:

THIS TOILET IS DESIGNED TO ROUGH-IN AT A MINIMUM DIMENSION OF 254MM (10") FROM FINISHED WALL TO C/L OF OUTLET.

SUPPLY NOT INCLUDED WITH FIXTURE AND MUST BE ORDERED SEPARATELY.

* DIMENSION SHOWN FOR LOCATION OF SUPPLY IS SUGGESTED.

IMPORTANT: Dimensions of fixtures are nominal and may vary within the range of tolerances established by ANSI Standard A112.19.2.

These measurements are subject to change or cancellation. No responsibility is assumed for use of superseded or voided pages.

CADET® 3
Flushing System

