



INSTALLATION GUIDE AND OWNER'S MANUAL

Thermostatic, Thermostatic with Integrated Mixing Valve, & Non-thermostatic Tankless Electric Water Heaters



ELECTRIC INSTANTANEOUS WATER HEATERS

WARNING BEFORE ATTEMPTING ANY INSTALLATION, MODIFICATION OR SERVICE OF THE HEATER, MAKE SURE THE ELECTRICAL POWER IS DISCONNECTED.

Read and understand the instructions thoroughly before attempting the installation or service of the water heater. Failure to follow the instructions can result in serious injury, death and/or property damage. The warranty of the water heater will depend upon proper installation according to the instructions. Some heaters come supplied with separate faucet aerators. If supplied, the aerator must be installed in the faucet for optimum performance. The heater must only be used to heat water and must be installed in a location where it is not subject to freezing temperatures. The manufacturer is not liable for any damages resulting from improper installation or misuse.

The installation must conform to the latest requirements of the National Electrical Code and all applicable state and local codes. This information is available through local authorities. You must fully understand the requirements before beginning this installation.

This water heater is not required by UL 499 to employ a temperature and pressure relief valve (T&P). Check with local codes to find out if one is required. If it is, the T&P valve must be installed in the outlet hot water pipe between the heater and the isolation valve.

IMPORTANT SAFETY INSTRUCTIONS

When using electrical equipment, basic safety precautions should always be followed, including the following:

READ AND FOLLOW ALL INSTRUCTIONS

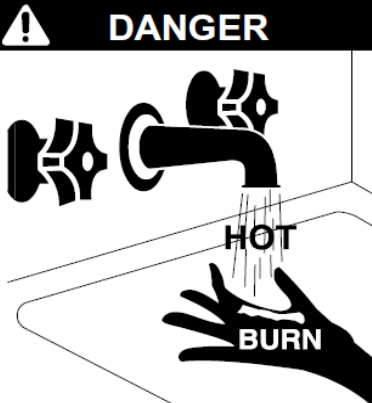
Supply the water heater only from a grounded system. A green terminal (or a wire connector marked “G”, “GR”, “Ground”, or “GROUNDING”) is provided for wiring the appliance. To reduce the risk of electric shock, connect this terminal, or connector, to the grounding terminal of the electric service or supply panel with a continuous copper wire. Connection should be made in accordance with the electrical installation code.

Contents

| | |
|--|----|
| 1. GENERAL | 3 |
| 2. MOUNTING THE UNIT TO THE WALL | 3 |
| 3. PLUMBING HOOK-UP | 4 |
| 4. ELECTRICAL HOOK-UP | 6 |
| 5. COMMISSIONING THE HEATER | 8 |
| 6. THERMOSTATIC TANKLESS ELECTRIC WATER HEATERS UNIT OPERATION | 10 |
| 7. TROUBLESHOOTING | 12 |
| 8. PERIODIC MAINTENANCE | 13 |
| 9. REPLACEMENT PART NUMBERS | 14 |
| 10. REPAIR PARTS | 14 |

| | |
|------------------|--|
| ⚠ CAUTION | DO NOT INSTALL IN A BATH ENCLOSURE OR SHOWER STALL OR CONNECT TO A SALT-REGENERATED WATER SOFTENER OR A WATER SUPPLY OF SALT WATER. ATTENTION: NE PAS INSTALLER DANS UNE BAIGNOIRE OU UNE CABINE DE DOUCHE ET NE PAS BRANCHER À UN ADOUCISSEUR D’EAU RÉGÉNÉRÉ AVEC DU SEL OU À UN APPROVISIONNEMENT EN EAU SALÉE. |
| ⚠ CAUTION | (CANADIAN INSTALLATIONS ONLY) CONNECT ONLY TO A CIRCUIT PROTECTED BY A CLASS A GROUND FAULT CIRCUIT INTERRUPTER. ATTENTION: BRANCHER UNIQUEMENT À UN CIRCUIT PROTÉGÉ PAR UN DISJONCTEUR DE FUITE DE TERRE DE CLASSE A. |
| ⚠ CAUTION | (CANADIAN INSTALLATIONS ONLY) USE COPPER CONDUCTORS ONLY. USE BONDING CONDUCTOR IN ACCORDANCE WITH THE CANADIAN ELECTRICAL CODE PART I. UTILISEZ DES CONDUCTEURS EN CUIVE UNIQUEMENT. UTILISEZ DES CONDUCTEURS DE MISE À LA MASSE CONFORMEMENT AU CODE CANADIEN DE L’ÉLECTRICITÉ, PARTIE I. |

SAVE THESE INSTRUCTIONS

| | |
|---|---|
| ⚠ DANGER | <p>Hot water can be dangerous, especially for infants or children, the elderly, or infirm. There is hot water scald potential if the thermostat is set too high.</p> <p>Water temperatures over 125° F (51° C) can cause severe burns or scalding resulting in death.</p> <p>Hot water can cause first degree burns with exposure for as little as:</p> <ul style="list-style-type: none"> 3 seconds at 140° F (60° C) 20 seconds at 130° F (54° C) 8 minutes at 120° F (48° C) <p>Test the temperature of the water before placing a child in the bath or shower.</p> <p>Do not leave a child or an infirm person in the bath unsupervised.</p> |
|  | |

1. GENERAL

Rheem® offers thermostatic, thermostatic with an integrated mixing valve, and non-thermostatic tankless electric water heaters.

To obtain optimum performance and energy savings, the water heater should be located as close as possible to the point-of-use. The unit is supplied with compression rings and nuts suitable for direct coupling to 3/8" copper or PEX™ piping. Do not use additional screwed fittings, pipe dope or teflon tape – doing so will void the warranty. **DO NOT SOLDER PIPES WHILE THE UNIT IS INSTALLED** as serious damage to the heater will result and the warranty will be voided.

Thermostatic Tankless Electric Water Heaters™, are designed to accept cold or preheated water and heat it to temperatures suitable for normal domestic usage up to a maximum temperature setpoint of 140°F.

Thermostatic Tankless Electric Water Heaters with Integrated Mixing Valve™, are designed to take in cold water and heat it to temperatures suitable for handwashing and other mild temperature uses up to a factory preset of 105°F. The heaters are also equipped with an ASSE 1070-2004 approved mixing valve to meet UPC 407.3 and similar plumbing codes for public handwashing applications.

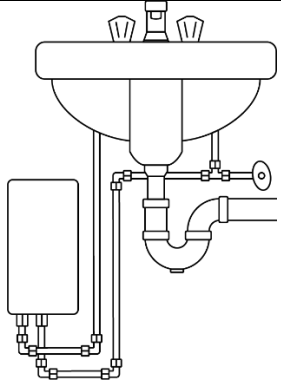
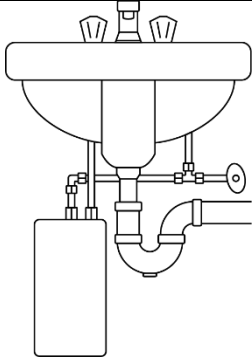
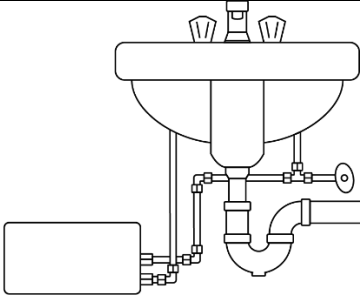
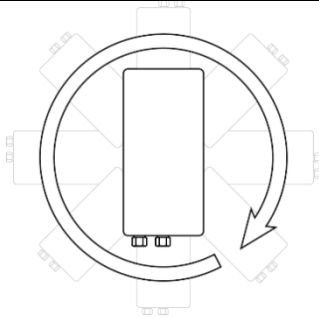
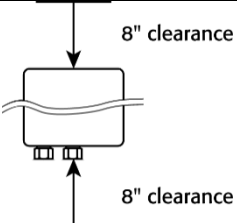
Non-thermostatic Tankless Electric Water Heaters™, are designed to take in cold water and heat it to temperatures suitable for handwashing and other fixed-flow applications.

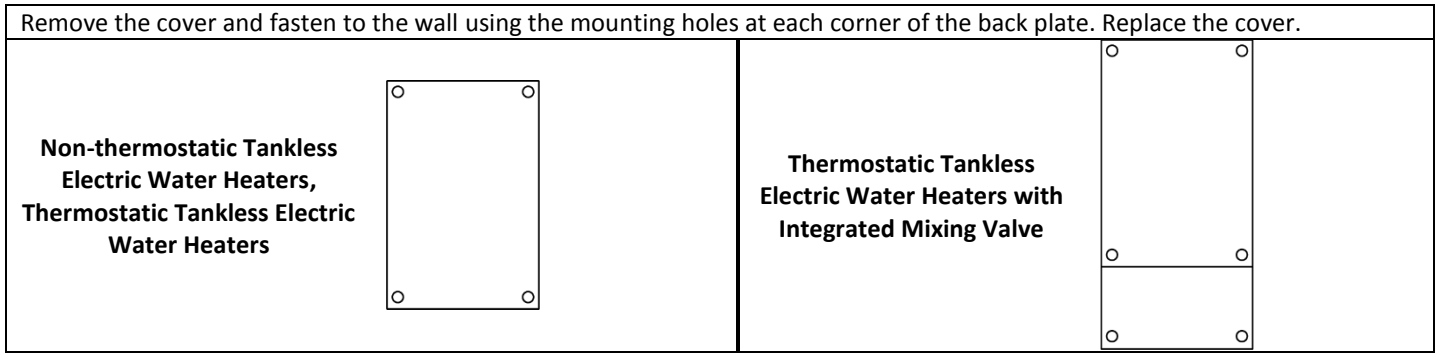
2. MOUNTING THE UNIT TO THE WALL

| | |
|------------------|--|
| ⚠ CAUTION | THIS HEATER MUST BE INSTALLED IN A LOCATION WHERE IT IS NOT SUBJECT TO FREEZING TEMPERATURES. |
|------------------|--|

The heater should be mounted on the wall under the sink, as close to the point-of-use as possible. Ideal position is fittings pointed down; however, the heater may be mounted in any orientation.

Note: a logo decal has been provided to ensure branding is clearly displayed in any mounting orientation.

| | | | |
|--|---|---|---|
|  |  |  |  |
| <p>Make sure to leave a minimum of 8 inches service clearance at the end OPPOSITE the fittings.</p> | |  | |



3. PLUMBING HOOK-UP

The water heater is supplied with 3/8" brass compression fittings that are compatible with either copper or plastic pipes. Make sure these fittings are used for this installation. Contact your Rheem representative for further information.

⚠ CAUTION NEVER SUBSTITUTE THREADED PIPE FITTINGS USING PIPE DOPE OR TEFLON TAPE AND NEVER SOLDER ANY PIPE CONNECTIONS WHILE ATTACHED TO THIS HEATER BECAUSE DAMAGE TO THE HEATER WILL RESULT. DOING THIS WILL VOID THE WARRANTY!

Rheem strongly recommends that the heater be supplied directly from the main cold water trunk line when possible. This helps to avoid a potential water flow interruption to the water heater which could lead to a failure of the heating element.

System Requirements:

- Minimum turn on flow rates are family dependent:
 - **Thermostatic Tankless Electric Water Heaters: 0.2 GPM**
 - **Thermostatic Tankless Electric Water Heaters with Integrated Mixing Valve: 0.3 GPM**
 - **Non-thermostatic Tankless Electric Water Heaters: vary by model (refer to the table below)**
- Minimum/maximum working pressure: 30 PSI/150 PSI
- Optimal operating pressure range: 35 to 80 PSI

| Base Model* | Turn On Flow Rate, GPM (LPM) | | | | | | |
|-------------|------------------------------|----------------|---------------|---------------|---------------|---------------|---------------|
| | 0.2 (0.76) | 0.25 (0.95) | 0.3 (1.14) | 0.4 (1.51) | 0.5 (1.89) | 0.7 (2.65) | 0.8 (3.03) |
| RTEH1812 | • | | | | | | |
| RTEH2412 | | • | | | | | |
| RTEH3012 | | • | | | | | |
| RTEH3512 | | | • | | | | |
| RTEH35 | | | • | | | | |
| RTEH48 | | | | • | | | |
| RTEH55 | | | | | • | | |
| RTEH65 | | | | | | • | |
| RTEH75 | | | | | | • | |
| RTEH95 | | | | | | | • |
| RTEH3208 | | • | | | | | |
| RTEH4208 | | | | • | | | |
| RTEH8208 | | | | | | • | |
| RTEH3277 | | • | | | | | |
| RTEH4277 | | | | • | | | |
| RTEH60 | | | | | | • | |
| RTEH80 | | | | | | • | |
| RTEH90 | | | | | | • | |
| RTEH100 | | | | | | | • |

*Special suffixed models (i.e. CA, etc.), will have identical temperature rises as their base model

For optimum performance, Rheem recommends the use of isolation valves (full flow ball type) on the inlet and outlet pipes and a 40 mesh Y-Strainer on the inlet of the heater.

Clean screen periodically for best performance.



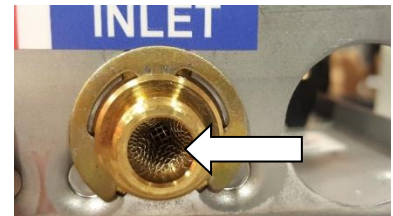
BEFORE ATTEMPTING ANY INSTALLATION, MODIFICATION OR SERVICE OF THIS HEATER, MAKE SURE THE ELECTRICAL POWER IS DISCONNECTED.

The heater’s water INLET and OUTLET are labeled. Install full flow ball valves to the inlet and outlet pipes and run water through the inlet pipe into a bucket to purge it of any debris. Close the inlet ball valve.

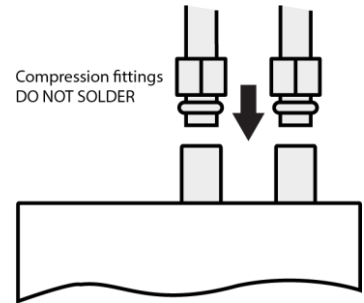
*Failure to do so may clog the inlet water screen.



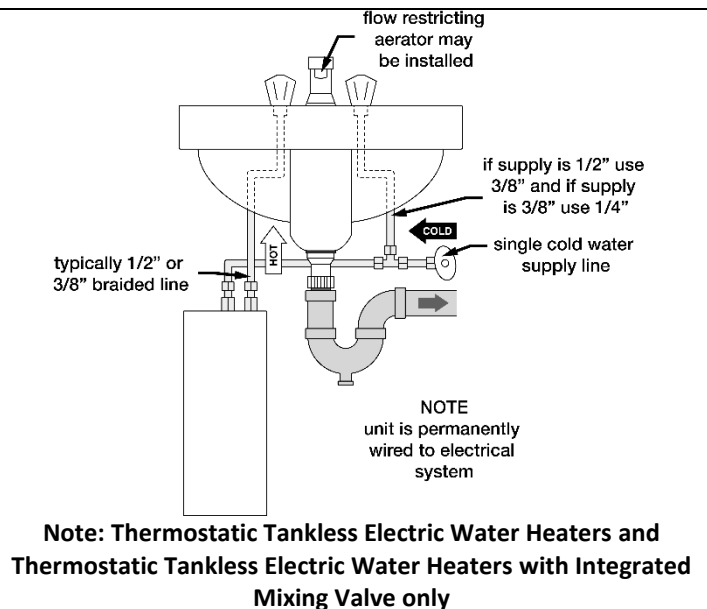
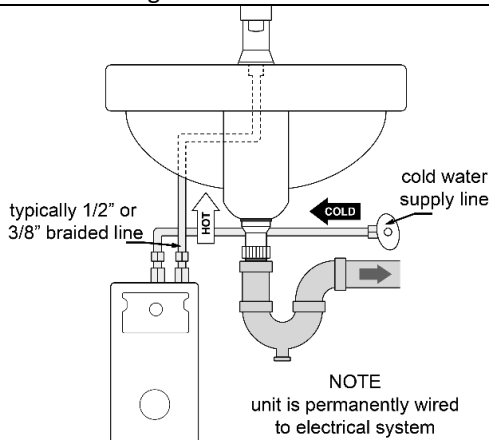
Make sure the inlet filter screen is present in the inlet fitting and the inlet and outlet pipes are correctly aligned with the heater connections to minimize stress on the heater.



Remove the cover. Connect the pre-assembled inlet and outlet pipes to the heater (**do not overtighten compression fittings**) and fully open the inlet and outlet ball valves. Check the system for water leaks at all plumbing connections. If a leak is present at the compression fitting, **slowly** tighten compression nut until it stops – **do not overtighten**.



Sample installation diagrams:



Open the hot water faucet and run water for a minimum of 60 seconds and until the flow is continuous and free of air pockets. Close the faucet and install the aerator (if supplied).

Failure to install aerator will result in less-than-favorable heater performance.

| MODEL | # OF AERATORS |
|--|---------------|
| THERMOSTATIC TANKLESS ELECTRIC WATER HEATERS** | |
| RTEH3512T | 2 |
| RTEH35T | 2 |
| RTEH48T | 2 |
| RTEH55T | 2 |
| RTEH65T | 2 |
| RTEH75T | 2 |
| RTEH95T | 3 |
| RTEH012240T | 3 |

| MODEL | # OF AERATORS |
|--|---------------|
| THERMOSTATIC TANKLESS ELECTRIC WATER HEATERS** | |
| RTEH3208T | 2 |
| RTEH4208T | 2 |
| RTEH3277T | 2 |
| RTEH4277T | 2 |
| RTEH8208T | 3 |
| RTEH60T | 2 |
| RTEH80T | 2 |
| RTEH90T | 3 |
| RTEH100T | 3 |

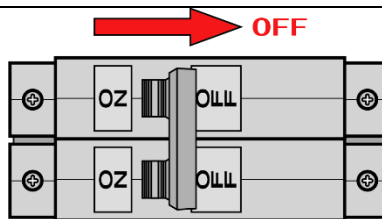
| MODEL | # OF AERATORS |
|---|---------------|
| THERMOSTATIC TANKLESS ELECTRIC WATER HEATERS WITH INTEGRATED MIXING VALVE | |
| RTEH004120MV | 1 |
| RTEH005240MV | 1 |
| RTEH007240MV | 2 |
| RTEH010240MV | 3 |
| RTEH012240MV | 4 |
| RTEH004277MV | 1 |
| RTEH008277MV | 2 |
| RTEH010277MV | 3 |

** Please install the supplied aerators to ensure maximum heating performance.



4. ELECTRICAL HOOK-UP

⚠ WARNING BEFORE BEGINNING ANY WORK ON THIS INSTALLATION, CONFIRM THE ELECTRICAL BREAKER IS "OFF" AND THAT ALL MOUNTING AND PLUMBING WORK HAS BEEN COMPLETED PER THE STATED INSTRUCTIONS.

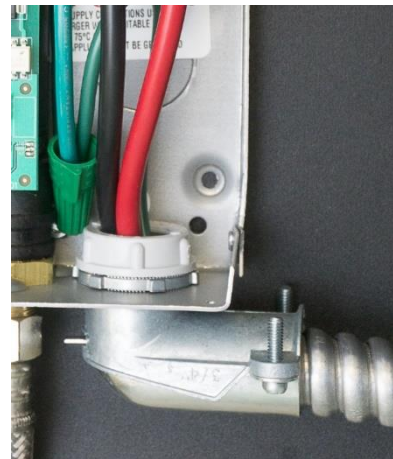


For use on an individual branch circuit only. The heater shall be installed using insulated, UL listed, 2 wire cable (2 wire plus ground) of the appropriate size suitable for up to 75°C and protected by the correctly rated circuit breaker.

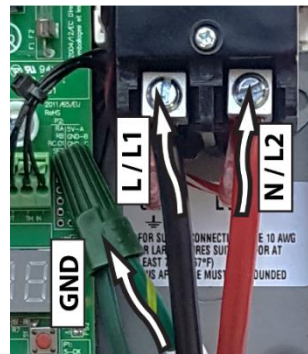
Refer to the chart below for recommended copper wiring for conductors with a temperature rating of 75°C:

| Non-thermostatic Tankless Electric Water Heaters | Thermostatic Tankless Electric Water Heaters | Thermostatic Tankless Electric Water Heaters with Integrated Mixing Valve | Voltage (VAC) | Max power (kW) | Max current (A) | Minimum wire size (AWG) @75°C |
|--|--|---|---------------|----------------|-----------------|-------------------------------|
| RTEH1812 | RTEH1812T | - | 120 | 1.8 | 15 | 14 |
| RTEH2412 | RTEH2412T | - | 120 | 2.4 | 20 | 14 |
| RTEH3012 | RTEH3012T | - | 120 | 3 | 25 | 12 |
| RTEH3512 | RTEH3512T | RTEH004120MV | 120 | 3.5 | 29 | 10 |
| RTEH35 | RTEH35T | - | 240 | 3.5 | 15 | 14 |
| RTEH48 | RTEH48T | RTEH005240MV | 240 | 4.8 | 20 | 14 |
| RTEH55 | RTEH55T | - | 240 | 5.5 | 23 | 12 |
| RTEH65 | RTEH65T | RTEH007240MV | 240 | 6.5 | 27 | 10 |
| RTEH75 | RTEH75T | - | 240 | 7.5 | 32 | 10 |
| RTEH95 | RTEH95T | RTEH010240MV | 240 | 9.5 | 40 | 8 |
| - | RTEH012240T | RTEH012240MV | 240 | 11.5 | 48 | 8 |
| RTEH3208 | RTEH3208T | - | 208 | 3 | 15 | 14 |
| RTEH4208 | RTEH4208T | - | 208 | 4.1 | 20 | 14 |
| RTEH8208 | RTEH8208T | - | 208 | 8.3 | 40 | 8 |
| RTEH3277 | RTEH3277T | - | 277 | 3 | 11 | 14 |
| RTEH4277 | RTEH4277T | RTEH004277TMV | 277 | 4.1 | 14.8 | 14 |
| RTEH60 | RTEH60T | - | 277 | 6 | 22 | 12 |
| RTEH80 | RTEH80T | RTEH008277MV | 277 | 8 | 29 | 10 |
| RTEH90 | RTEH90T | - | 277 | 9 | 33 | 10 |
| RTEH100 | RTEH100T | RTEH010277MV | 277 | 10 | 36 | 8 |

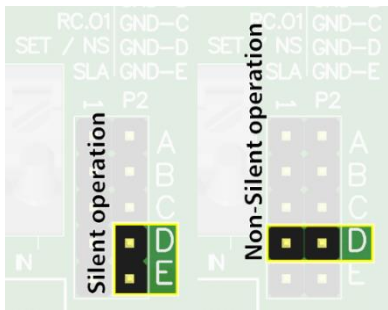
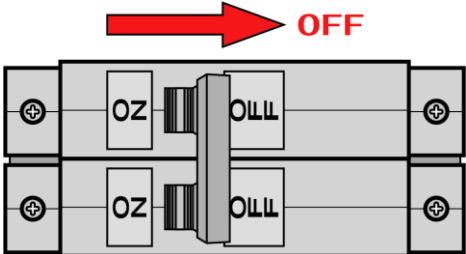
Power cable entry to the heater should be made through one of the knock-out holes located on the back plate or top/bottom ends of the unit. Use the appropriate strain relief fitting.



The power leads are to be secured to the L1 and L2 or L and N connectors on the terminal block or relay. The ground lead is to be secured to the GND connector on the block or the green ground wire with the provided wire nut.

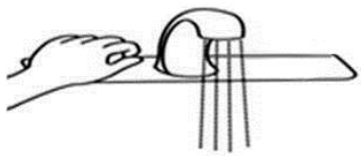
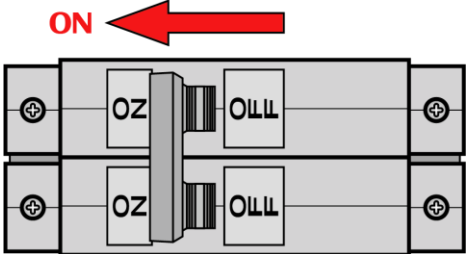


FAILURE TO GROUND THE SYSTEM MAY RESULT IN SERIOUS INJURY, DEATH AND/OR PROPERTY DAMAGE.

| | |
|---|--|
| <p>Optional: Thermostatic Tankless Electric Water Heaters with Integrated Mixing Valve heaters comes preset in silent mode. If silent mode is the intended use, please proceed to step 4. To switch between silent and non-silent operation place the jumper on the control board in position “D”.</p> |  |
| <p>Leave the breaker in the “OFF” position. Proceed to the next section: COMMISSIONING THE HEATER</p> |  |


5. COMMISSIONING THE HEATER


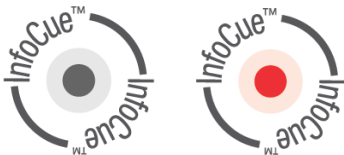
CAUTION BEFORE SWITCHING THE ELECTRICAL BREAKER “ON”, VERIFY THE INLET AND OUTLET BALL VALVES ARE FULLY OPEN AND WATER IS FLOWING THROUGH THE HOT WATER FAUCET FOR A MINUTE OR TWO UNTIL THE FLOW IS CONTINUOUS AND FREE FROM AIR POCKETS. DO NOT SWITCH THE BREAKER “ON” IF THERE IS A POSSIBILITY THE WATER IN THE HEATER IS FROZEN.

| | |
|--|---|
| <p>Verify water is flowing through the faucet.</p> |  |
| <p>Switch “ON” the electric power supply at the breaker.</p> |  |

The following steps are dependent on the water heater, please be sure to read all instructions to best commission the appropriate model.

THERMOSTATIC TANKLESS ELECTRIC WATER HEATERS & THERMOSTATIC TANKLESS ELECTRIC WATER HEATERS WITH INTEGRATED MIXING VALVE

| | |
|--|---|
| <p>Keep water flowing through the faucet for the next step. The display on the circuit board should come “ON”. With the flow running, the heater will go through the 60 seconds startup/self-calibration procedure. The display will count down from 60 to 0. When the display timer reaches 45, the unit starts heating and continues counting down to 0.</p> |  |
|--|---|

| | |
|---|---|
| <p>After the 60 seconds in step 4, the display will show the temperature setpoint. See The heater is commissioned at this point. Faucet can be turned off and used as needed.</p> <p>Note: the temperature display will turn off after 5 minutes of inactivity. Display turns on when water flows through heater.</p> |  |
| NON-THERMOSTATIC TANKLESS ELECTRIC WATER HEATERS | |
| <p>The InfoCue™ will flash rapidly while water flows through the unit. Maintain flow. After 15 seconds, the InfoCue will turn solid red and there will be an audible click. The heater is commissioned at this point. The faucet can be turned off and used as needed.</p> <p><i>Note: with no flow, the unit will flash every 4 seconds, indicating normal stand-by mode.</i></p> |  |

Congratulations!

Your Rheem tankless electric water heater is installed and ready for use!

For temperature rise at specified flow rate, please consult the table below:

| BASE MODEL* | | FLOW RATE, GPM (LPM) | | | | | | | | | | | | | | | |
|--|---|---------------------------|------------|---------|------------|---------|---------|----------|--|------------|--|----------|--|------------|--|-----------|--|
| Thermostatic Tankless Electric Water Heaters | Thermostatic Tankless Electric Water Heaters with Integrated Mixing Valve | 0.35 (1.33) | | | 0.5 (1.89) | | | 1 (3.79) | | 1.5 (5.68) | | 2 (7.58) | | 2.5 (9.48) | | 3 (11.37) | |
| | | TEMPERATURE RISE, °F (°C) | | | | | | | | | | | | | | | |
| RTEH1812T | - | 35 (19) | 25 (14) | 12 (7) | 8 (4) | 6 (3) | 5 (3) | 4 (2) | | | | | | | | | |
| RTEH2412T | - | 47 (26) | 33 (18) | 16 (9) | 11 (6) | 8 (4) | 7 (4) | 5 (3) | | | | | | | | | |
| RTEH3012T | - | 59 (33) | 41 (23) | 20 (11) | 14 (8) | 10 (6) | 8 (4) | 7 (4) | | | | | | | | | |
| RTEH3512T | RTEH004120MV | 68 (38) | 48 (27) | 24 (13) | 16 (9) | 12 (7) | 10 (6) | 8 (4) | | | | | | | | | |
| RTEH35T | - | 68 (38) | 48 (27) | 24 (13) | 16 (9) | 12 (7) | 10 (6) | 8 (4) | | | | | | | | | |
| RTEH48T | RTEH005240MV | 94** (52) | 66 (37) | 33 (18) | 22 (12) | 16 (9) | 13 (7) | 11 (6) | | | | | | | | | |
| RTEH55T | - | 107** (59) | 75 (42) | 38 (21) | 25 (14) | 19 (11) | 15 (8) | 13 (7) | | | | | | | | | |
| RTEH65T | RTEH007240MV | 127** (71) | 89 (49) | 44 (24) | 30 (17) | 22 (12) | 18 (10) | 15 (8) | | | | | | | | | |
| RTEH75T | - | 146** (81) | 102** (57) | 51 (28) | 34 (19) | 26 (14) | 20 (11) | 17 (9) | | | | | | | | | |
| RTEH95T | RTEH010240MV | 185** (103) | 130** (72) | 65 (36) | 43 (24) | 32 (18) | 26 (14) | 22 (12) | | | | | | | | | |
| RTEH012240T | RTEH012240MV | 224** (124) | 157** (87) | 79 (44) | 52 (29) | 39 (22) | 31 (17) | 26 (14) | | | | | | | | | |
| RTEH3208T | - | 59 (33) | 41 (23) | 20 (11) | 14 (8) | 10 (6) | 8 (4) | 7 (4) | | | | | | | | | |
| RTEH4208T | - | 80 (44) | 56 (31) | 28 (16) | 19 (11) | 14 (8) | 11 (6) | 9 (5) | | | | | | | | | |
| RTEH8208T | - | 162** (90) | 113** (63) | 57 (32) | 38 (21) | 28 (16) | 23 (13) | 19 (11) | | | | | | | | | |
| RTEH3277T | - | 59 (33) | 41 (23) | 20 (11) | 14 (8) | 10 (6) | 8 (4) | 7 (4) | | | | | | | | | |
| RTEH4277T | RTEH004277MV | 78 (43) | 56 (31) | 28 (16) | 19 (11) | 14 (8) | 11 (6) | 9 (5) | | | | | | | | | |
| RTEH60T | - | 117** (65) | 82 (46) | 41 (23) | 27 (15) | 20 (11) | 16 (9) | 14 (8) | | | | | | | | | |
| RTEH80T | RTEH008277MV | 156** (87) | 109** (61) | 55 (31) | 36 (20) | 27 (15) | 22 (12) | 18 (10) | | | | | | | | | |
| RTEH90T | - | 176** (98) | 123** (68) | 61 (34) | 41 (23) | 31 (17) | 25 (14) | 20 (11) | | | | | | | | | |
| RTEH100T | RTEH010277MV | 195** (108) | 137** (76) | 68 (38) | 46 (26) | 34 (19) | 27 (15) | 23 (13) | | | | | | | | | |

**Note: the heaters' actual temperature rises are limited by their thermostatic controls. The theoretical values shown above are only for comparison purposes.

| BASE MODEL* | FLOW RATE, GPM (LPM) | | | | | | | | | |
|-------------|---------------------------|-------------|------------|------------|------------|------------|------------|----------|--|--|
| | 0.2 (0.76) | 0.25 (0.95) | 0.3 (1.14) | 0.4 (1.51) | 0.5 (1.89) | 0.7 (2.65) | 0.8 (3.03) | 1 (3.79) | | |
| | TEMPERATURE RISE, °F (°C) | | | | | | | | | |
| RTEH1812 | 61 (34) | 49 (27) | 41 (23) | 31 (17) | 25 (14) | 18 (10) | 15 (8) | 12 (7) | | |
| RTEH2412 | 82 (46) | 66 (37) | 55 (31) | 41 (23) | 33 (18) | 23 (13) | 20 (11) | 16 (9) | | |
| RTEH3012 | - - | 82 (46) | 68 (38) | 51 (28) | 41 (23) | 29 (16) | 26 (14) | 20 (11) | | |
| RTEH3512 | - - | - - | 80 (44) | 60 (33) | 48 (27) | 34 (19) | 30 (17) | 24 (13) | | |
| RTEH35 | - - | - - | 80 (44) | 60 (33) | 48 (27) | 34 (19) | 30 (17) | 24 (13) | | |
| RTEH48 | - - | - - | - - | 82 (46) | 66 (37) | 47 (26) | 41 (23) | 33 (18) | | |
| RTEH55 | - - | - - | - - | - - | 75 (42) | 54 (30) | 47 (26) | 38 (21) | | |
| RTEH65 | - - | - - | - - | - - | - - | 63 (35) | 55 (31) | 44 (24) | | |
| RTEH75 | - - | - - | - - | - - | - - | 73 (41) | 64 (36) | 51 (28) | | |
| RTEH95 | - - | - - | - - | - - | - - | - - | 81 (45) | 65 (36) | | |
| RTEH3208 | - - | 82 (46) | 68 (38) | 51 (28) | 41 (23) | 29 (16) | 26 (14) | 20 (11) | | |
| RTEH4208 | - - | - - | - - | 70 (39) | 56 (31) | 40 (22) | 35 (19) | 28 (16) | | |
| RTEH8208 | - - | - - | - - | - - | - - | 81 (45) | 71 (39) | 57 (32) | | |
| RTEH3277 | - - | 82 (46) | 68 (38) | 51 (28) | 41 (23) | 29 (16) | 26 (14) | 20 (11) | | |
| RTEH4277 | - - | - - | - - | 70 (39) | 56 (31) | 40 (22) | 35 (19) | 28 (16) | | |
| RTEH60 | - - | - - | - - | - - | 82 (46) | 59 (33) | 51 (28) | 41 (23) | | |
| RTEH80 | - - | - - | - - | - - | - - | 78 (43) | 68 (38) | 55 (31) | | |
| RTEH90 | - - | - - | - - | - - | - - | - - | 77 (43) | 61 (34) | | |
| RTEH100 | - - | - - | - - | - - | - - | - - | - - | 68 (38) | | |

Note: the values shown above are only for comparison purposes.

*Special suffixed models (i.e. CA, etc.), will have identical temperature rises as their base model

“-“Flow rate below turn on flow for this model

6. THERMOSTATIC TANKLESS ELECTRIC WATER HEATERS UNIT OPERATION

Factory temperature setpoints/maximum adjustable range:

| Suffix | | Default Setpoint (°F) | Minimum Setpoint (°F) | Maximum Setpoint (°F) |
|------------|------|-----------------------|-----------------------|-----------------------|
| Base Model | <4kW | 105 | 70 | 140 |
| | >4kW | 120 | | |

CHANGING SETPOINT TEMPERATURE

To INCREASE temperature, tap the “+” button repeatedly, or hold the “+” down to INCREASE the temperature quickly. To DECREASE temperature, tap the “-” button repeatedly, or hold the “-” down to DECREASE the temperature quickly.

ADVANCED FUNCTIONS

With the display showing the current setpoint temperature, press BOTH “+” AND “-” buttons simultaneously for 3 seconds.

| Screen Info | Title | Units | Description |
|--------------------|-------|------------|--------------------------------------|
| Flow Rate | FLO | GPM or LPM | Current water flow rate through unit |
| Inlet temperature | IN | °F or °C | Cold water temperature |
| Outlet temperature | OUT | °F or °C | Hot water temperature |
| Power Factor | PF | % | How hard the heater is working |
| Software Revision | SR | - | For Technical Support assistance |

Hold “-“ to display the current screen title.

Press “+” to advance to the next screen.

Holding both “+” and “-“ at any time for 3 seconds returns the display to the temperature set point, or just let the heater return to set point display on its own after a period of time.

ERROR CODES & UNITS

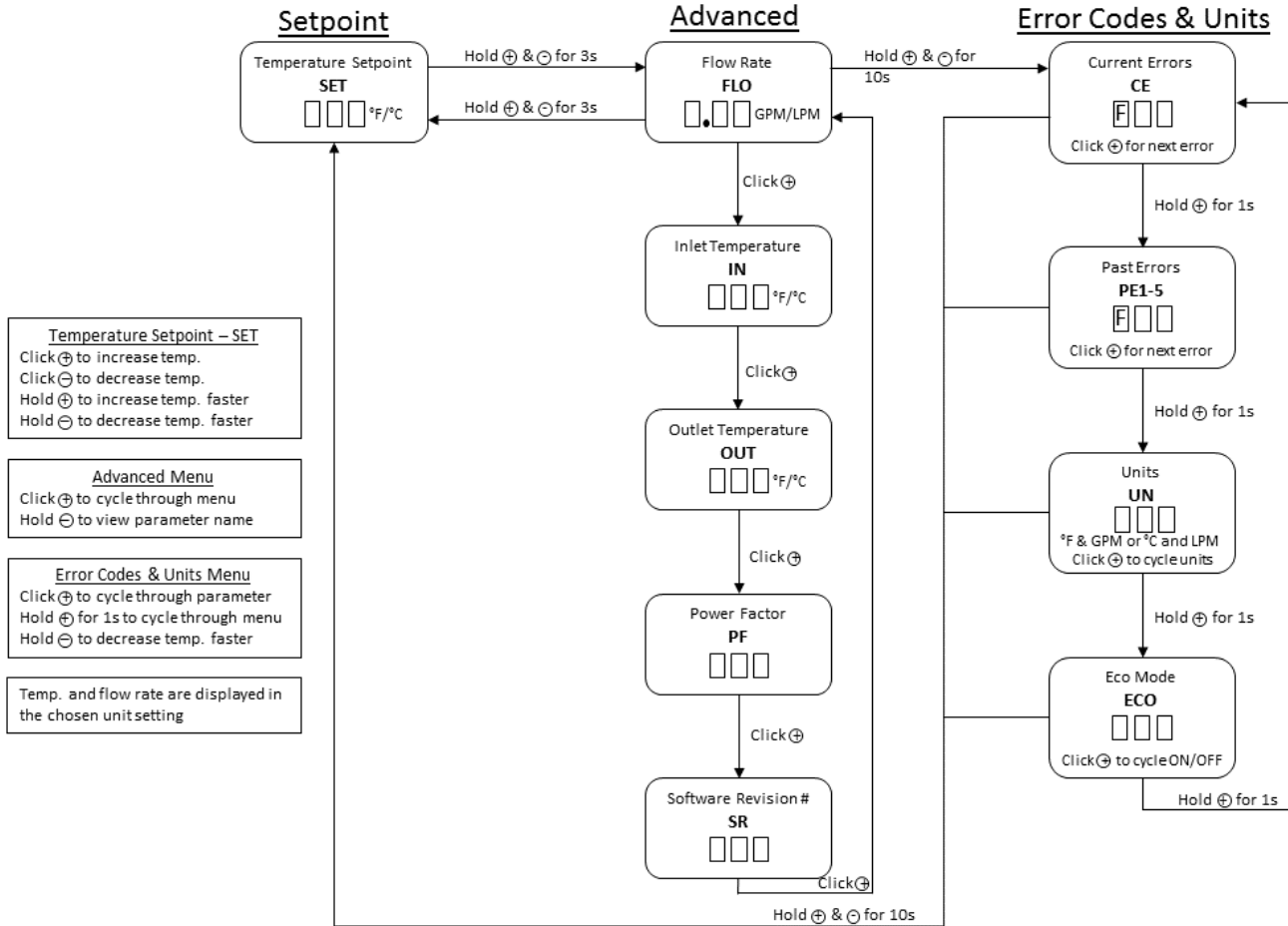
From Advanced Menu, press and hold the “+” and “-” buttons for 10 seconds.

| Screen Info | Title | Description |
|------------------|-------|---|
| Current Error(s) | CE | Any errors currently present (F0 displays if no errors are present) |
| Past Errors | PE | Previous 5 errors and faults |
| Units | UN | Choose between °F/GPM and °C/LPM |
| Non-Silent Mode | NS | Toggle non-silent operation |

Pressing “-” at any time will display screen title (CE, PE1-5, UN, ECO).

Press the “+” button for 1 second to cycle through the following screens:

To return to setpoint hold “+” and “-” for 10 seconds, or just let the heater return to setpoint display or display turn-off on its own after a period of time.



7. TROUBLESHOOTING



ENSURE POWER TO THE UNIT IS "OFF" BEFORE REMOVING THE PROTECTIVE COVER FOR ANY REASON.

For status resolution, please consult the table for your heater model below.

| THERMOSTATIC TANKLESS ELECTRIC WATER HEATERS & THERMOSTATIC TANKLESS ELECTRIC WATER HEATERS WITH INTEGRATED MIXING VALVE | | | | |
|--|---------------------------|--|--|---|
| Code | Name | Possible causes | Heater response | Possible solutions |
| F23 | No heat | - element failure - ECO tripped/malfunctioning - triac(s) failed open - relay/contacter malfunctioning - control board failure - inlet water supply out of spec | Heating will be disabled after 30 seconds of continuous no heat condition. | - measure element resistance with the unit completely turned off |
| F24 | Low heat | - undervoltage - triac(s) failed open - control board failure - inlet/outlet thermistor(s) failure | Heating enabled, reduced performance (lower outlet temperature). | - verify power supply (voltage) while heater is running |
| F33 | Residual heat | - internal water temperature elevated without flow - both triacs failed closed | Heating disabled until outlet temperature falls below the reactivation temperature (see default parameters table). | - run water through the unit |
| F34 | Overvoltage | - inlet voltage is too high compared to the stated heater specifications | Heating enabled, reduced performance (higher outlet temperature). | - have certified personnel verify the inlet voltage - provide voltage within specified range |
| F36 | Undervoltage | - inlet voltage is too low compared to the stated heater specifications | Heating enabled, reduced performance (lower outlet temperature). | - have certified personnel verify the inlet voltage - provide voltage within specified range |
| F38 | High flow | - flow is too high to heat the water to setpoint temperature | Heating enabled, unit operates as intended (lower outlet temperature possible). | - reduce flow (outlet flow restrictor, faucet aerator) |
| F47 | Inlet thermistor failure | - inlet thermistor interrupted or disconnected | Heating enabled based on default inlet temperature setting (see default parameters table; higher/lower outlet temperature possible). | - inspect connections/wiring of inlet thermistor |
| F48 | Outlet thermistor failure | - outlet thermistor interrupted or disconnected | Heating enabled, auto calibration disabled. | - inspect connections/wiring of outlet thermistor |
| F64 | Freeze warning | - inlet temperature is too low (below 35°F) | Heating disabled while condition is present. | - increase inlet water temperature above 35°F |

THERMOSTATIC TANKLESS ELECTRIC WATER HEATERS & THERMOSTATIC TANKLESS ELECTRIC WATER HEATERS WITH INTEGRATED MIXING VALVE DEFAULT PARAMETERS

| Status code | Model suffix | Default values | |
|-------------|--------------|----------------|-------|
| F33 | T | Trip | 170°F |
| | | Reactivation | 140°F |

NON-THERMOSTATIC TANKLESS ELECTRIC WATER HEATERS

| LED Pattern | Status/Problem | Possible causes | Heater response | Possible solutions |
|--------------------------------------|----------------|---|---|----------------------------|
| Solid light | Heating | N/A | N/A | N/A |
| One flash every four seconds | Idle | N/A | - unit waits for flow | N/A |
| Two flashes once, three second pause | Low heat | - outlet temperature below 90°F/32°C for 5 seconds of flow - element failure - ECO tripped/malfunctioning | - unit keeps running, LED flashes a warning pattern | - reduce flow through unit |

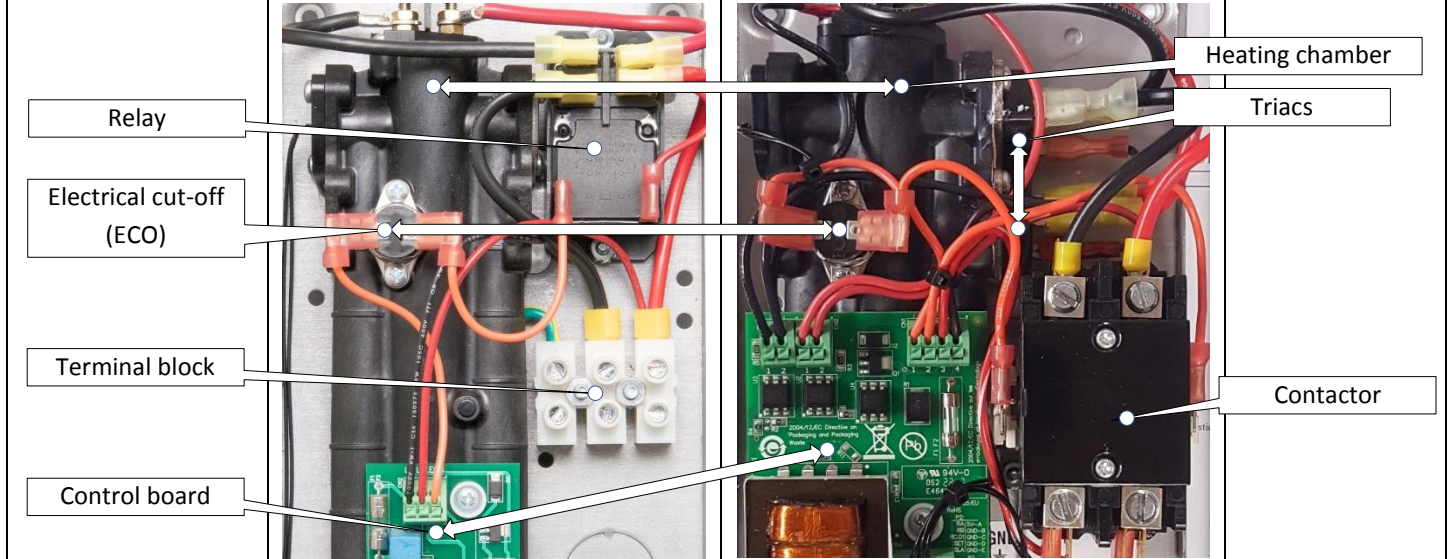
| | | | | |
|--|-----------------------------|---|--|---|
| | | - relay/contactor malfunctioning - control board failure - inlet water supply out of spec | | |
| Two flashes twice, three second pause | Outlet thermistor failure | - outlet thermistor interrupted or disconnected | - unit keeps running, LED flashes a warning pattern | - inspect connections/wiring of outlet thermistor |
| Two flashes three times, three second pause | Over-temperature Warning | - outlet temperature exceeds 110°F/38°C | - unit keeps running, LED flashes a warning pattern | -increase flow through unit. If this temperature is desired no action is required |
| Three flashes once, three second pause | Over-temperature Protection | - outlet temperature exceeds 150°F/65°C | - unit stops heating until outlet temperature falls below preset minimum | - increase flow through unit to decrease the overall temperature rise |
| Three flashes twice, three second pause | Freeze warning | - inlet temperature is too low (below 35°F/2°C) | - heating disabled | - increase temperature of inlet water to meet product specifications |

8. PERIODIC MAINTENANCE

The heater is designed for many years of carefree use. In order to maintain consistent water flow, it may be necessary to periodically clean the faucet aerator or the filter screen located in the brass inlet fitting at the heater.

| | |
|---|--|
| <p>Element cartridge installs inside heating chamber of all heaters</p> |  |
|---|--|

| Non-thermostatic Tankless Electric Water Heaters | Thermostatic Tankless Electric Water Heaters & Thermostatic Tankless Electric Water Heaters with Integrated Mixing Valve |
|---|--|
| <p>Relay</p> <p>Electrical cut-off (ECO)</p> <p>Terminal block</p> <p>Control board</p> | <p>Heating chamber</p> <p>Triacs</p> <p>Contactor</p> |



9. REPLACEMENT PART NUMBERS

| COMPRESSION FITTINGS | |
|----------------------|-------|
| 3/8" NUT | EX68B |
| 3/8" SLEEVE | EX68C |

| AERATORS | |
|----------|----------------|
| 0.35 GPM | EX0061-0.3-AER |
| 0.5 GPM | EX0061-0.5-AER |

| Energy Cut-Off (ECO) | |
|---|----------------|
| Thermostatic Tankless Electric Water Heaters (by suffix) | |
| Base | EX278A-KIT |
| Thermostatic Tankless Electric Water Heaters with Integrated Mixing Valve | |
| Base | EX278A-KIT |
| Non-thermostatic Tankless Electric Water Heaters | |
| Base | EX278A-KIT |
| CA | EX08100-03-KIT |

| PLUMBING ADAPTORS | |
|--|----------|
| MALE 13/16"-27 X MALE 55/64"-27 | EX61-339 |
| FEMALE 3/4"-27 X MALE 55/64"-27 | EX61-341 |
| FEMALE 13/16"-24 X MALE 55/64"-27 | EX61-349 |
| MALE 15/16"-27 X MALE 55/64"-27 | EX61-336 |
| MALE 11/16"-27 X MALE 55/64"-27 | EX61-344 |
| MALE M24X1/FEMALE M22X1 X MALE 55/64"-27 | EX61-387 |

10. REPAIR PARTS

Thermostatic Tankless Electric Water Heaters & Thermostatic Tankless Electric Water Heaters with Integrated Mixing Valve

| MODEL NUMBER | THERMOSTATIC TANKLESS ELECTRIC WATER HEATERS WITH INTEGRATED MIXING VALVE | ELEMENT CARTRIDGE | CONTROL BOARD | RELAY |
|--------------|---|-------------------|---------------|----------|
| RTEH1812T | - | EX800 PRT | EX384-120 | EX259B |
| RTEH2412T | - | EX610 | EX384-120 | EX259B |
| RTEH3012T | - | EX480 | EX384-120 | EX259B |
| RTEH3512T | RTEH004120T | EX410 | EX384-120 | EX259B |
| RTEH35T | - | EX1650 | EX384-240 | EX255B |
| RTEH48T | RTEH005240T | EX1200 | EX384-240 | EX255B |
| RTEH55T | - | EX1050 | EX384-240 | EX255B |
| RTEH65T | RTEH007240T | EX890 | EX384-240 | EX255B |
| RTEH75T | - | EX770 | EX384-240 | EX255B |
| RTEH95T | RTEH010240T | EX630 | EX384-240 | EX255B |
| RTEH012240T | RTEH012240T | EX500 PRT | EX384-240 | EX1050-1 |
| RTEH3208T | - | EX1440 | EX384-240 | EX255B |
| RTEH4208T | - | EX1050 | EX384-240 | EX255B |
| RTEH8202T | - | EX520 | EX384-240 | EX255B |
| RTEH3277T | - | EX260 | EX384-277 | EX253B |
| RTEH4277T | RTEH004277T | EX1920 | EX384-277 | EX253B |
| RTEH60T | - | EX1280 | EX384-277 | EX253B |
| RTEH80T | RTEH008277T | EX960 | EX384-277 | EX253B |
| RTEH90T | - | EX850 | EX384-277 | EX253B |
| RTEH100T | RTEH010277T | EX760 | EX384-277 | EX253B |

Non-thermostatic Tankless Electric Water Heaters

| MODEL NUMBER | ELEMENT CARTRIDGE | CONTROL BOARD | RELAY |
|--------------|-------------------|---------------|--------|
| RTEH1812 | EX800 PRT | EX383 | EX250B |
| RTEH2412 | EX610 | EX383 | EX250B |
| RTEH3012 | EX480 | EX383 | EX250B |
| RTEH3512 | EX410 | EX383 | EX250B |
| RTEH35 | EX1650 | EX383 | EX254 |
| RTEH48 | EX1200 | EX383 | EX254 |
| RTEH55 | EX1050 | EX383 | EX254 |
| RTEH65 | EX890 | EX383 | EX254 |
| RTEH75 | EX770 | EX383 | EX255B |
| RTEH95 | EX630 | EX383 | EX255B |
| RTEH3208 | EX1440 | EX383 | EX254B |
| RTEH4208 | EX1050 | EX383 | EX254B |
| RTEH8208 | EX520 | EX383 | EX255B |
| RTEH3277 | EX260 | EX383 | EX251B |
| RTEH4277 | EX1870 | EX383 | EX251B |
| RTEH60 | EX1280 | EX383 | EX251B |
| RTEH80 | EX960 | EX383 | EX251B |
| RTEH90 | EX850 | EX383 | EX253B |
| RTEH100 | EX760 | EX383 | EX253B |

If you need any assistance from our Technical Service Department, make sure you can identify this water heater by having

model no: _____

and serial number: _____.

Manufacturer's National Service Department | 400 Captain Neville Dr. Waterbury, CT 06705
Eemax® 800-543-6163 | EcoSmart® 877-474-6473 | Rheem® or Richmond® 800-374-8806



GUÍA DE INSTALACIÓN Y MANUAL DEL PROPIETARIO

Calentadores de agua eléctricos sin tanque termostáticos™, calentadores de agua eléctricos sin tanque termostáticos con válvula de mezcla integrada™, y calentadores de agua eléctricos sin tanque termostáticos sin tanque™



CALENTADORES DE AGUA ELÉCTRICOS INSTANTÁNEOS



ADVERTENCIA

ANTES DE INTENTAR CUALQUIER INSTALACIÓN, MODIFICACIÓN O FUNCIÓN DEL CALENTADOR, ASEGÚRESE DE QUE LA ALIMENTACIÓN ELÉCTRICA ESTÉ DESCONECTADA.

Lea las instrucciones detenidamente antes de intentar instalar o poner en funcionamiento el calentador de agua. No seguir las instrucciones podría provocar lesiones graves, la muerte o daños materiales. La garantía del calentador de agua dependerá de su correcta instalación de conformidad con las instrucciones. Algunos calentadores vienen con aireadores individuales para canillas. Si este fuera el caso, el aireador debe instalarse en la canilla para obtener el máximo rendimiento. El calentador solo debe usarse para calentar agua y se debe instalar en un lugar donde no esté sometido a temperaturas heladas. El fabricante no se hace responsable por daños que se deban a una incorrecta instalación o uso indebido.

La instalación debe cumplir con los más recientes requisitos del Código Nacional de Electricidad y todos los códigos estatales y locales. Esta información está disponible a través de las autoridades locales. Usted debe conocer estos requisitos antes de comenzar esta instalación.

El UL 499 no exige que este calentador de agua emplee una válvula de alivio de temperatura y presión (T/P). Consulte los códigos locales para saber si debe utilizarla. En ese caso, la válvula T/P debe instalarse en la salida de la cañería de agua caliente entre el calentador y la válvula de aislamiento.

INSTRUCCIONES DE SEGURIDAD IMPORTANTES

Cuando use equipamiento eléctrico, debe siempre respetar las precauciones básicas de seguridad, incluidas las siguientes:

LEA Y SIGA TODAS LAS INSTRUCCIONES

Conecte el calentador de agua solo a una puesta a tierra. Para cablear el aparato, se proporciona un terminal verde (o un cable conector marcado "G", "GR", "Ground" o "GROUNDING" (puesta a tierra). Para reducir el riesgo de descarga eléctrica, conecte este terminal o conector al terminal de puesta a tierra de la red eléctrica o panel de suministro con un cable de cobre continuo de acuerdo con el código de instalaciones eléctricas. La conexión debe realizarse de acuerdo con el código de instalación eléctrica.

Contenido

| | | |
|-----|---|----|
| 1. | GENERALIDADES..... | 18 |
| 2. | MONTAJE DE LA UNIDAD EN LA PARED | 18 |
| 3. | CONEXIÓN DE PLOMERÍA..... | 19 |
| 4. | CONEXIÓN ELÉCTRICA..... | 22 |
| 5. | PUESTA EN SERVICIO DEL CALENTADOR..... | 23 |
| 6. | FUNCIONAMIENTO DE LA UNIDAD THERMOSTATIC TANKLESS ELECTRIC WATER HEATERS..... | 26 |
| 7. | RESOLUCIÓN DE PROBLEMAS | 27 |
| 8. | MANTENIMIENTO PERIÓDICO..... | 29 |
| 9. | NÚMEROS DE PIEZA DE REPUESTO | 29 |
| 10. | PIEZAS DE REPARACIÓN | 30 |



PRECAUCIÓN

NO LO INSTALE EN EL INTERIOR DE UN BAÑO O HABITÁCULO DE DUCHA NI LO CONECTE A UN ABLANDADOR DE AGUA REGENERADO POR SAL O SUMINISTRO DE AGUA SALADA. ATTENTION: NE PAS INSTALLER DANS UNE BAIGNOIRE OU UNE CABINE DE DOUCHE ET NE PAS BRANCHER À UN ADOUCISSEUR D'EAU RÉGÉNÉRÉ AVEC DU SEL OU À UN APPROVISIONNEMENT EN EAU SALÉE.



PRECAUCIÓN

(SOLO INSTALACIONES EN CANADÁ) CONÉCTELO ÚNICAMENTE A UN CIRCUITO PROTEGIDO POR UN INTERRUPTOR DE CIRCUITO POR FALLA A TIERRA CLASE A. ATTENTION: BRANCHER UNIQUEMENT À UN CIRCUIT PROTÉGÉ PAR UN DISJONCTEUR DE FUITE DE TERRE DE CLASSE A.



PRECAUCIÓN

(SOLO INSTALACIONES EN CANADÁ) UTILICE SOLO CONDUCTORES DE COBRE. UTILICE UN CONDUCTOR DE UNIÓN DE ACUERDO CON LA PARTE I DEL CÓDIGO DE ELECTRICIDAD CANADIENSE. UTILISEZ DES CONDUCTEURS EN CUIVE UNIQUEMENT. UTILISEZ DES CONDUCTEURS DE MIZE À LA MASSE CONFORMEMENT AU CODE CANADIEN DE L'ÉLECTRICITÉ, PARTIE I.

CONSERVE ESTAS INSTRUCCIONES



El agua caliente puede ser peligrosa, especialmente para los bebés, niños, personas de edad avanzada o enfermas. Si el termostato está fijo a una temperatura demasiado alta, existe el riesgo de escaldarse con agua caliente.

Las temperaturas de agua superiores a 125°F (51°C) pueden provocar quemaduras graves que podrían causar la muerte.

El agua caliente puede provocar quemaduras de primer grado con apenas los siguientes tiempos de exposición:

3 segundos a 140°F (60°C)

20 segundos a 130°F (54°C)

8 minutos a 120°F (48°C)

Pruebe la temperatura del agua antes de colocar a un niño en la bañera o ducha.

No deje a un niño o persona enferma en la bañera sin supervisión.

1. GENERALIDADES

Rheem® ofrece termostatos, termostatos con una válvula mezcladora integrada y calentadores de agua eléctricos sin tanque no termostáticos.

Para obtener un rendimiento óptimo y ahorro de energía, la unidad debe instalarse lo más cerca posible del lugar de uso. La unidad viene con anillos y tuercas de compresión aptas para conexión directa a una cañería de cobre o PEX™ de 3/8". No utilice accesorios roscados adicionales, lubricante para caños o cinta de teflón; ello anulará la garantía. **NO SUELDE CAÑOS MIENTRAS LA UNIDAD ESTÁ INSTALADA**, esto ocasionará daños serios al calentador y anulará la garantía.

Los calentadores termostáticos Thermostatic Tankless Electric Water Heaters™ están diseñados para aceptar agua fría o precalentada y calentarla a temperaturas adecuadas para uso doméstico normal hasta un punto de ajuste de temperatura máximo de 60°C.

Los calentadores termostáticos Thermostatic Tankless Electric Water Heaters with Integrated Mixing Valve™, con una válvula mezcladora integrada están diseñados para absorber agua fría y calentarla a temperaturas adecuadas para el lavado de manos y otros usos de temperatura moderada hasta un valor predeterminado de fábrica de 40,5°C. Los calentadores también están equipados con una válvula mezcladora aprobada ASSE 1070-2004 para cumplir con el UPC 407.3 y códigos de plomería similares para elementos públicos de lavado de manos.

Los calentadores no termostáticos Non-thermostatic Tankless Electric Water Heaters™ están específicamente diseñados para recibir agua fría y calentarla llevándola a temperaturas adecuadas para el lavado de manos y otros elementos con caudal fijo.

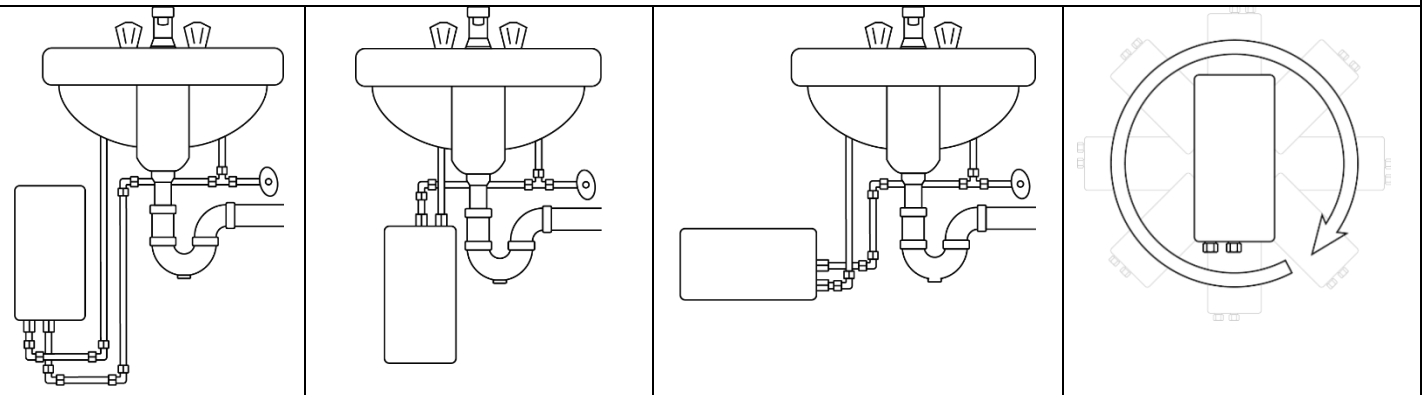
2. MONTAJE DE LA UNIDAD EN LA PARED



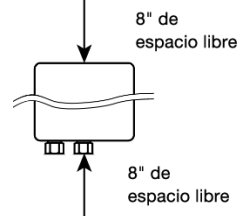
ESTE CALENTADOR DEBE INSTALARSE EN UN LUGAR DONDE NO ESTÉ SOMETIDO A TEMPERATURAS BAJO CERO.

El calentador debe montarse en la pared por debajo de la piletta, lo más cerca posible del lugar de uso. La posición ideal es con los accesorios apuntando hacia abajo, pero también puede orientar el calentador como lo desee.

Nota: se ha proporcionado un adhesivo con el logotipo para garantizar que la marca se muestre claramente en cualquier orientación de montaje.

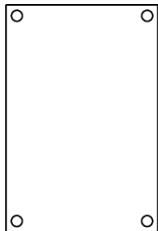


Asegúrese de dejar al menos 8 pulgadas de espacio libre en el extremo **OPUESTO** a los accesorios.

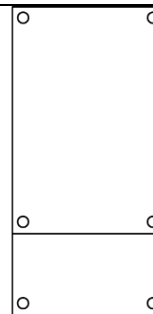


Saque la tapa y fije a la pared usando los cuatro orificios de montaje que están en cada una de las esquinas de la placa posterior. Vuelva a poner la tapa.

Calentadores de agua eléctricos
sin tanque no termostáticos
Calentadores de agua eléctricos
termostáticos sin tanque



Calentadores de agua eléctricos
termostáticos sin tanque con
válvula de mezcla integrada



3. CONEXIÓN DE PLOMERÍA

El calentador viene con accesorios de compresión de bronce de 3/8" que son compatibles con caños tanto de cobre como de plástico. Asegúrese de usar estos accesorios para esta instalación. Si desea obtener más información, póngase en contacto con su representante de Rheem.



PRECAUCIÓN

NUNCA SUSTITUYA ACCESORIOS ROSCADOS DE CAÑOS UTILIZANDO LUBRICANTE PARA CAÑOS O CINTA DE TEFLÓN Y NUNCA SUELDE NINGUNA CONEXIÓN DE CAÑOS MIENTRAS ESTÁN FIJOS A ESTE CALENTADOR PUES ELLO DAÑARÁ EL CALENTADOR. SI LO HACE, ANULARÁ LA GARANTÍA.

Rheem recomienda especialmente que el calentador sea abastecido directamente desde la línea troncal de agua fría siempre que sea posible. Esto ayudará a evitar cualquier posible interrupción del caudal de agua al calentador, lo que podría producir un fallo en el elemento de calefacción.

Requisitos del Sistema:

- Los caudales mínimos de activación dependen de la familia:
 - Calentadores de agua eléctricos sin tanque termostáticos:** 0,2 GPM
 - Calentadores de agua eléctricos termostáticos sin tanque con válvula de mezcla integrada:** 0,3 GPM
 - Calentador de agua eléctrico sin tanque no termostático:** varía según el modelo (consulte la tabla a continuación)
- Presión de trabajo mínima/máxima: 30 PSI/150 PSI
- Rango de presiones operativas óptimas: 35 a 80 PSI

| Modelo Base* | Nivel de caudal de encendido, GPM (LPM) | | | | | | |
|--------------|---|----------------|---------------|---------------|---------------|---------------|---------------|
| | 0,2 (0,76) | 0,25 (0,25) | 0,3 (1,14) | 0,4 (1,51) | 0,5 (1,89) | 0,7 (2,65) | 0,8 (3,03) |
| RTEH1812 | • | | | | | | |
| RTEH2412 | | • | | | | | |
| RTEH3012 | | • | | | | | |
| RTEH3512 | | | • | | | | |
| RTEH35 | | | • | | | | |
| RTEH48 | | | | • | | | |
| RTEH55 | | | | | • | | |
| RTEH65 | | | | | | • | |
| RTEH75 | | | | | | • | |
| RTEH95 | | | | | | | • |
| RTEH3208 | | • | | | | | |
| RTEH4208 | | | | • | | | |
| RTEH8208 | | | | | | • | |
| RTEH3277 | | • | | | | | |
| RTEH4277 | | | | • | | | |
| RTEH60 | | | | | | • | |
| RTEH80 | | | | | | • | |
| RTEH90 | | | | | | • | |
| RTEH100 | | | | | | | • |

*Los modelos con sufijos especiales (p.ej. 6-2CA, etc.), tendrán aumentos de temperatura idénticos a los de su modelo base

Para un rendimiento óptimo, Rheem recomienda que se usen válvulas de aislamiento (tipo esféricas de caudal total) en los caños de entrada y salida y un filtro en Y de malla 40 en la entrada del calentador.

Limpie la pantalla periódicamente para obtener el mejor rendimiento.



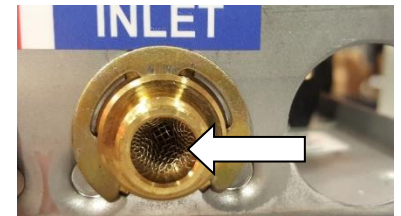
ANTES DE INTENTAR CUALQUIER INSTALACIÓN, MODIFICACIÓN O FUNCIÓN DE ESTE CALENTADOR, ASEGÚRESE DE QUE LA ELECTRICIDAD ESTÉ DESCONECTADA.

La ENTRADA y SALIDA de agua del calentador están etiquetadas. Instale válvulas esféricas de caudal total en los caños de entrada y salida y haga correr agua por el caño de entrada en el interior de un balde para eliminar residuos. Cierre la válvula esférica de entrada.

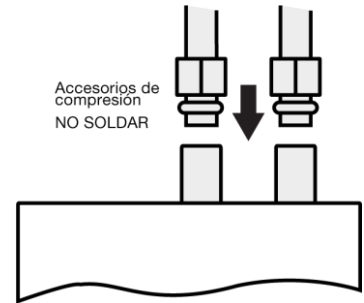
*De lo contrario, puede obstruir la pantalla de entrada de agua.



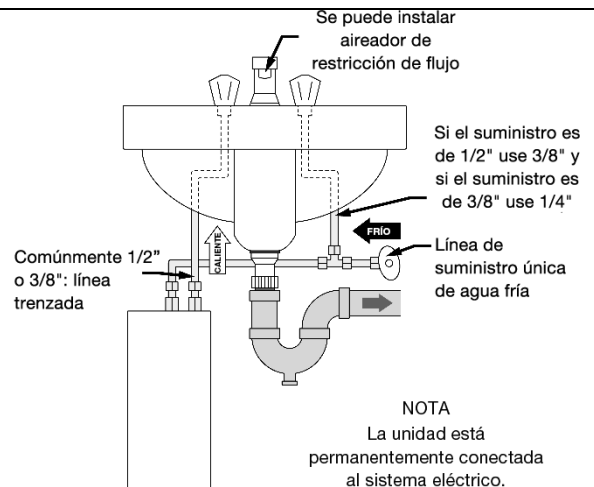
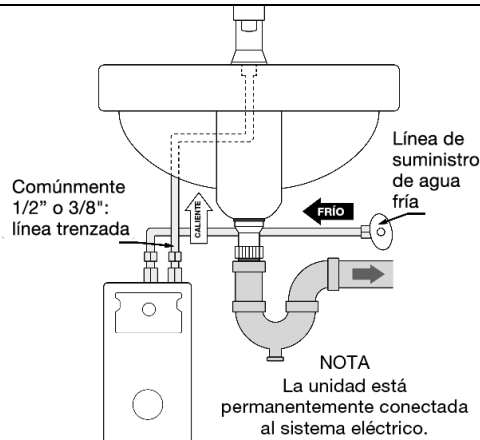
Asegúrese de que el filtro de entrada esté instalado en el accesorio de entrada y que los caños de entrada y salida estén correctamente alineados con las conexiones del calentador para minimizar cualquier esfuerzo excesivo sobre el calentador.



Retire la tapa. Conecte al calentador los caños de entrada y salida premontados (**no ajuste en exceso los accesorios de compresión**) y abra por completo las válvulas esféricas de entrada y salida. Compruebe que no haya fugas de agua en todas las conexiones de plomería. En caso de existir una fuga en el accesorio de compresión, **ajuste** lentamente la tuerca de compresión hasta que llegue al tope; **no ajuste en exceso**.



Diagramas de instalación de muestra:



Nota: Solo para Calentadores de agua eléctricos sin tanque termostáticos y calentadores de agua eléctricos sin tanque termostáticos con válvula de mezcla integrada

Abra la canilla de agua caliente y deje correr agua por al menos 60 segundos y hasta que el caudal sea continuo y no tenga burbujas de aire. Cierre la canilla e instale el aireador (si viene con el aparato).

Si no instala el aireador, el calentador no tendrá un rendimiento tan satisfactorio.

| MODELO | # DE AIREADORES |
|---|-----------------|
| CALENTADORES DE AGUA ELÉCTRICOS SIN TANQUE TERMOSTÁTICOS ** | |
| RTEH3512T | 2 |
| RTEH35T | 2 |
| RTEH48T | 2 |
| RTEH55T | 2 |
| RTEH65T | 2 |
| RTEH75T | 2 |
| RTEH95T | 3 |
| RTEH012240T | 3 |

| MODELO | # DE AIREADORES |
|---|-----------------|
| CALENTADORES DE AGUA ELÉCTRICOS SIN TANQUE TERMOSTÁTICOS ** | |
| RTEH3208T | 2 |
| RTEH4208T | 2 |
| RTEH3277T | 2 |
| RTEH4277T | 2 |
| RTEH8208T | 3 |
| RTEH60T | 2 |
| RTEH80T | 2 |
| RTEH90T | 3 |
| RTEH100T | 3 |

| MODELO | # DE AIREADORES |
|--|-----------------|
| CALENTADORES DE AGUA ELÉCTRICOS SIN TANQUE TERMOSTÁTICOS CON VÁLVULA DE MEZCLA INTEGRADA** | |
| RTEH004120MV | 1 |
| RTEH005240MV | 1 |
| RTEH007240MV | 2 |
| RTEH010240MV | 3 |
| RTEH012240MV | 4 |
| RTEH004277MV | 1 |
| RTEH008277MV | 2 |
| RTEH010277MV | 3 |

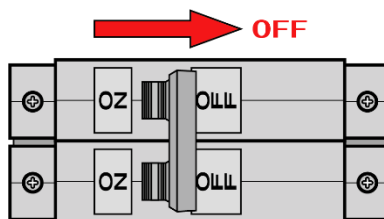
** Por favor instale los aireadores suministrados para garantizar el máximo rendimiento de calentamiento.



4. CONEXIÓN ELÉCTRICA



WARNING ANTES DE COMENZAR CUALQUIER TRABAJO SOBRE ESTA INSTALACIÓN, CONFIRME QUE EL DISYUNTOR ELÉCTRICO ESTÉ "APAGADO" Y QUE TODOS LOS TRABAJOS DE MONTAJE Y PLOMERÍA SE HAN REALIZADO DE ACUERDO CON LAS INSTRUCCIONES.

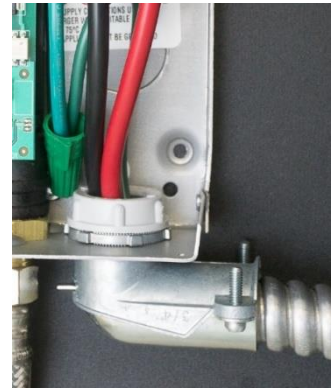


Para usar exclusivamente con un ramal eléctrico individual. El calentador debe instalarse con un ramal individual, con cable aislado de 2 hilos (2 hilos más tierra), aceptado por UL, del tamaño apropiado para una temperatura de hasta 75°C y protegido por un disyuntor de la clase apropiada.

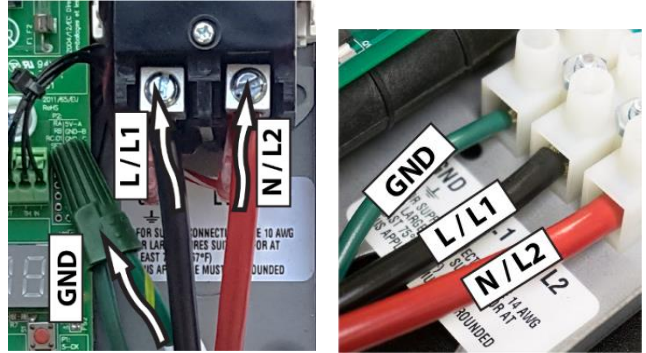
Consulte en el siguiente cuadro el cable de cobre recomendado para conductores con una temperatura nominal de 75°C:

| Calentadores de agua eléctricos sin tanque no termostáticos | Calentadores de agua eléctricos termostáticos sin tanque | Calentadores de agua eléctricos termostáticos sin tanque con válvula de mezcla integrada | Voltaje (V de CA) | Potencia máx. (kW) | Corriente máx. (A) | Tamaño mínimo de cable (AWG) @75°C |
|---|--|--|-------------------|--------------------|--------------------|------------------------------------|
| RTEH1812 | RTEH1812T | - | 120 | 1,8 | 15 | 14 |
| RTEH2412 | RTEH2412T | - | 120 | 2,4 | 20 | 14 |
| RTEH3012 | RTEH3012T | - | 120 | 3 | 25 | 12 |
| RTEH3512 | RTEH3512T | RTEH004120MV | 120 | 3,5 | 29 | 10 |
| RTEH35 | RTEH35T | - | 240 | 3,5 | 15 | 14 |
| RTEH48 | RTEH48T | RTEH005240MV | 240 | 4,8 | 20 | 14 |
| RTEH55 | RTEH55T | - | 240 | 5,5 | 23 | 12 |
| RTEH65 | RTEH65T | RTEH007240MV | 240 | 6,5 | 27 | 10 |
| RTEH75 | RTEH75T | - | 240 | 7,5 | 32 | 10 |
| RTEH95 | RTEH95T | RTEH010240MV | 240 | 9,5 | 40 | 8 |
| - | RTEH012240T | RTEH012240MV | 240 | 11,5 | 48 | 8 |
| RTEH3208 | RTEH3208T | - | 208 | 3 | 15 | 14 |
| RTEH4208 | RTEH4208T | - | 208 | 4,1 | 20 | 14 |
| RTEH8208 | RTEH8208T | - | 208 | 8,3 | 40 | 8 |
| RTEH3277 | RTEH3277T | - | 277 | 3 | 11 | 14 |
| RTEH4277 | RTEH4277T | RTEH004277TMV | 277 | 4,1 | 14,8 | 14 |
| RTEH60 | RTEH60T | - | 277 | 6 | 22 | 12 |
| RTEH80 | RTEH80T | RTEH008277MV | 277 | 8 | 29 | 10 |
| RTEH90 | RTEH90T | - | 277 | 9 | 33 | 10 |
| RTEH100 | RTEH100T | RTEH010277MV | 277 | 10 | 36 | 8 |

La entrada del cable de energía al calentador debe realizarse por uno de los orificios punzonados ubicados en la placa posterior o extremos superior/inferior de la unidad. Use el accesorio de alivio de tensión adecuado.

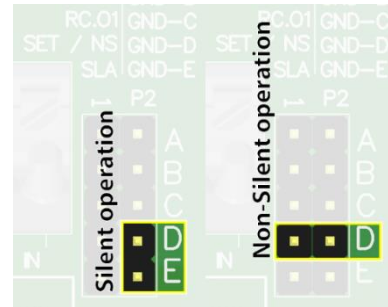


Los cables de alimentación deben fijarse a los conectores L1 y L2 o L y N del bloque de terminales o relé. El cable a tierra debe fijarse al conector GND que está en el bloque o al cable de tierra verde con la tuerca provista.

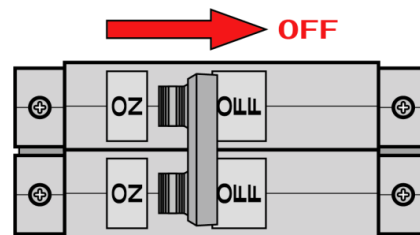


ADVERTENCIA NO CONECTAR EL SISTEMA A TIERRA PODRÍA PROVOCAR LESIONES GRAVES, MUERTE O DAÑOS MATERIALES.

Opcional: los calentadores Thermostatic Tankless Electric Water Heaters with Integrated Mixing Valve vienen preestablecidos en modo silencioso. Si el modo silencioso es el uso previsto, continúe con el paso 4. Para cambiar entre funcionamiento silencioso y no silencioso, coloque el puente en el tablero de control en la posición "D".

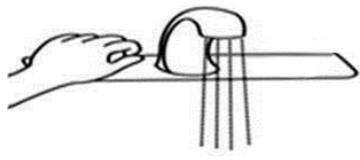
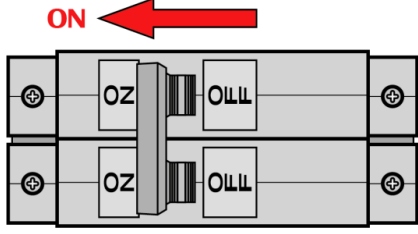


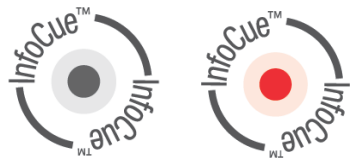


Deje el interruptor en la posición "OFF" (apagado). Continúe con la siguiente sección:
PUESTA EN SERVICIO DEL CALENTADOR



5. PUESTA EN SERVICIO DEL CALENTADOR

CAUTION ANTES DE COLOCAR EL DISYUNTOR EN LA POSICIÓN "ON", VERIFIQUE QUE LAS VÁLVULAS ESFÉRICAS DE ENTRADA Y SALIDA ESTÉN TOTALMENTE ABIERTAS Y DEJE CORRER AGUA POR LA CANILLA DE AGUA CALIENTE DURANTE UNO O DOS MINUTOS HASTA QUE EL CAUDAL SEA CONTINUO Y NO TENGA BURBUJAS DE AIRE. NO COLOQUE EL DISYUNTOR EN POSICIÓN "ON" SI EXISTIERA LA POSIBILIDAD DE QUE EL AGUA DEL CALENTADOR ESTUVIERA HELADA.

| | |
|--|---|
| <p>Verifique que el agua esté corriendo por la canilla.</p> |  |
| <p>Coloque el disyuntor en posición "ON" (alimentación de electricidad).</p> |  |
| <p>Los siguientes pasos dependen del calentador de agua, asegúrese de leer todas las instrucciones para poner en servicio el modelo apropiado.</p> | |
| <p>CALENTADORES DE AGUA ELÉCTRICOS SIN TANQUE TERMOSTÁTICOS Y CALENTADORES DE AGUA ELÉCTRICOS SIN TANQUE TERMOSTÁTICOS CON VÁLVULA DE MEZCLA INTEGRADA</p> | |
| <p>Deje que el agua siga corriendo por la canilla para el paso siguiente. La pantalla de la placa de circuito debe indicar "ON". Con el caudal en funcionamiento, el calentador pasará por el procedimiento de inicio/autocalibración de 60 segundos. La pantalla contará hacia atrás de 60 a 0. Cuando el temporizador de la pantalla llega a 45, la unidad comienza a calentar y continúa la cuenta atrás hasta 0.</p> |  |
| <p>Después de los 60 segundos en el paso 4, la pantalla mostrará el punto de ajuste de temperatura. Ver El calentador ya está puesto en servicio. La canilla se puede cerrar y ser usada cuando sea necesario.</p> <p>Nota: la pantalla de temperatura se apagará después de 5 minutos de inactividad. La pantalla se enciende cuando el agua fluye a través del calentador.</p> |  |
| <p>CALENTADORES DE AGUA ELÉCTRICOS NO TERMOSTÁTICOS SIN TANQUE</p> | |
| <p>El InfoCue™ destellará rápidamente mientras el agua fluye por la unidad. Mantenga el caudal. Después de 15 segundos, el InfoCue se pondrá fijo en rojo y se oirá un clic. El calentador ya está puesto en servicio. La canilla se puede cerrar y ser usada cuando sea necesario.</p> <p>Nota: sin caudal, la unidad destellará cada 4 segundos, indicando modo normal de espera.</p> |  |

¡Felicitaciones!

¡Su calentador de agua eléctrico sin tanque Rheem está instalado y listo para usar!

Para el aumento de temperatura al caudal especificado, consulte la tabla a continuación:

| MODELO BASE | | NIVEL DE CAUDAL, GPM (LPM) | | | | | | |
|--|--------------|---------------------------------|------------|----------|------------|----------|------------|-----------|
| Calentadores de agua eléctricos termostáticos sin tanque con válvula de mezcla integrada | | 0,35 (1,33) | 0,5 (1,89) | 1 (3,79) | 1,5 (5,68) | 2 (7,58) | 2,5 (9,48) | 3 (11,37) |
| | | AUMENTO DE TEMPERATURA, °F (°C) | | | | | | |
| RTEH1812T | - | 35 (19) | 25 (14) | 12 (7) | 8 (4) | 6 (3) | 5 (3) | 4 (2) |
| RTEH2412T | - | 47 (26) | 33 (18) | 16 (9) | 11 (6) | 8 (4) | 7 (4) | 5 (3) |
| RTEH3012T | - | 59 (33) | 41 (23) | 20 (11) | 14 (8) | 10 (6) | 8 (4) | 7 (4) |
| RTEH3512T | RTEH004120MV | 68 (38) | 48 (27) | 24 (13) | 16 (9) | 12 (7) | 10 (6) | 8 (4) |
| RTEH35T | - | 68 (38) | 48 (27) | 24 (13) | 16 (9) | 12 (7) | 10 (6) | 8 (4) |
| RTEH48T | RTEH005240MV | 94** (52) | 66 (37) | 33 (18) | 22 (12) | 16 (9) | 13 (7) | 11 (6) |
| RTEH55T | - | 107** (59) | 75 (42) | 38 (21) | 25 (14) | 19 (11) | 15 (8) | 13 (7) |
| RTEH65T | RTEH007240MV | 127** (71) | 89 (49) | 44 (24) | 30 (17) | 22 (12) | 18 (10) | 15 (8) |
| RTEH75T | - | 146** (81) | 102** (57) | 51 (28) | 34 (19) | 26 (14) | 20 (11) | 17 (9) |
| RTEH95T | RTEH010240MV | 185** (103) | 130** (72) | 65 (36) | 43 (24) | 32 (18) | 26 (14) | 22 (12) |
| RTEH012240T | RTEH012240MV | 224** (124) | 157** (87) | 79 (44) | 52 (29) | 39 (22) | 31 (17) | 26 (14) |
| RTEH3208T | - | 59 (33) | 41 (23) | 20 (11) | 14 (8) | 10 (6) | 8 (4) | 7 (4) |
| RTEH4208T | - | 80 (44) | 56 (31) | 28 (16) | 19 (11) | 14 (8) | 11 (6) | 9 (5) |
| RTEH8208T | - | 162** (90) | 113** (63) | 57 (32) | 38 (21) | 28 (16) | 23 (13) | 19 (11) |
| RTEH3277T | - | 59 (33) | 41 (23) | 20 (11) | 14 (8) | 10 (6) | 8 (4) | 7 (4) |
| RTEH4277T | RTEH004277MV | 78 (43) | 56 (31) | 28 (16) | 19 (11) | 14 (8) | 11 (6) | 9 (5) |
| RTEH60T | - | 117** (65) | 82 (46) | 41 (23) | 27 (15) | 20 (11) | 16 (9) | 14 (8) |
| RTEH80T | RTEH008277MV | 156** (87) | 109** (61) | 55 (31) | 36 (20) | 27 (15) | 22 (12) | 18 (10) |
| RTEH90T | - | 176** (98) | 123** (68) | 61 (34) | 41 (23) | 31 (17) | 25 (14) | 20 (11) |
| RTEH100T | RTEH010277MV | 195** (108) | 137** (76) | 68 (38) | 46 (26) | 34 (19) | 27 (15) | 23 (13) |

** Nota: los aumentos de temperatura reales de los calentadores están limitados por sus controles. Los valores teóricos mostrados arriba son únicamente con fines de comparación.

| MODELO BASE* | | NIVEL DE CAUDAL, GPM (LPM) | | | | | | | |
|---|---------|---------------------------------|-------------|------------|------------|------------|------------|------------|----------|
| Calentadores de agua eléctricos sin tanque no termostáticos | | 0,2 (0,76) | 0,25 (0,95) | 0,3 (1,14) | 0,4 (1,51) | 0,5 (1,89) | 0,7 (2,65) | 0,8 (3,03) | 1 (3,79) |
| | | AUMENTO DE TEMPERATURA, °F (°C) | | | | | | | |
| RTEH1812 | 61 (34) | 49 (27) | 41 (23) | 31 (17) | 25 (14) | 18 (10) | 15 (8) | 12 (7) | |
| RTEH2412 | 82 (46) | 66 (37) | 55 (31) | 41 (23) | 33 (18) | 23 (13) | 20 (11) | 16 (9) | |
| RTEH3012 | - - | 82 (46) | 68 (38) | 51 (28) | 41 (23) | 29 (16) | 26 (14) | 20 (11) | |
| RTEH3512 | - - | - - | 80 (44) | 60 (33) | 48 (27) | 34 (19) | 30 (17) | 24 (13) | |
| RTEH35 | - - | - - | 80 (44) | 60 (33) | 48 (27) | 34 (19) | 30 (17) | 24 (13) | |
| RTEH48 | - - | - - | - - | 82 (46) | 66 (37) | 47 (26) | 41 (23) | 33 (18) | |
| RTEH55 | - - | - - | - - | - - | 75 (42) | 54 (30) | 47 (26) | 38 (21) | |
| RTEH65 | - - | - - | - - | - - | - - | 63 (35) | 55 (31) | 44 (24) | |
| RTEH75 | - - | - - | - - | - - | - - | 73 (41) | 64 (36) | 51 (28) | |
| RTEH95 | - - | - - | - - | - - | - - | - - | 81 (45) | 65 (36) | |
| RTEH3208 | - - | 82 (46) | 68 (38) | 51 (28) | 41 (23) | 29 (16) | 26 (14) | 20 (11) | |
| RTEH4208 | - - | - - | - - | 70 (39) | 56 (31) | 40 (22) | 35 (19) | 28 (16) | |
| RTEH8208 | - - | - - | - - | - - | - - | 81 (45) | 71 (39) | 57 (32) | |
| RTEH3277 | - - | 82 (46) | 68 (38) | 51 (28) | 41 (23) | 29 (16) | 26 (14) | 20 (11) | |
| RTEH4277 | - - | - - | - - | 70 (39) | 56 (31) | 40 (22) | 35 (19) | 28 (16) | |
| RTEH60 | - - | - - | - - | - - | 82 (46) | 59 (33) | 51 (28) | 41 (23) | |
| RTEH80 | - - | - - | - - | - - | - - | 78 (43) | 68 (38) | 55 (31) | |
| RTEH90 | - - | - - | - - | - - | - - | - - | 77 (43) | 61 (34) | |
| RTEH100 | - - | - - | - - | - - | - - | - - | - - | 68 (38) | |

Nota: los valores teóricos mostrados arriba son únicamente con fines de comparación.

*Modelos con sufijos especiales (p.ej. CA, etc.), tendrán aumentos de temperatura idénticos a los de su modelo base “-“El nivel de caudal abajo indicado es el caudal de encendido para este modelo

6. FUNCIONAMIENTO DE LA UNIDAD THERMOSTATIC TANKLESS ELECTRIC WATER HEATERS

Puntos de ajuste de temperatura de fábrica/rango ajustable máximo:

| Sufijo | Punto de ajuste predeterminado (°F) | Punto de ajuste mínimo (°F) | Punto de ajuste máximo (°F) |
|-------------|-------------------------------------|-----------------------------|-----------------------------|
| Modelo Base | <4kW | 105 | 70 |
| | >4kW | 120 | |
| | | | 140 |

CAMBIO DEL PUNTO DE AJUSTE DE TEMPERATURA

Para AUMENTAR la temperatura, toque el botón "+" repetidamente, o mantenga presionado el botón "+" para AUMENTAR la temperatura rápidamente. Para DISMINUIR la temperatura, toque el botón "-" repetidamente, o mantenga presionado el botón "-" para DISMINUIR la temperatura rápidamente.

FUNCIONES AVANZADAS

Con la pantalla mostrando la temperatura de ajuste actual, presione AMBOS botones "+" Y "-" simultáneamente durante 3 segundos.

| Información de Pantalla | Título | Unidades | Descripción |
|-------------------------|--------|-----------|---|
| Nivel de Caudal | FLO | GPM o LPM | Caudal actual de agua a través de la unidad |
| Temperatura de entrada | IN | °F o °C | Temperatura agua fría |
| Temperatura de salida | OUT | °F o °C | Temperatura agua caliente |
| Factor de Potencia | FP | % | Cuanto está trabajando el calentador |
| Revisión de software | RS | - | Para asistencia técnica |

Mantenga presionado "-" para mostrar el título de la pantalla actual.

Presione "+" para avanzar a la siguiente pantalla.

Si mantiene presionadas las teclas "+" y "-" en cualquier momento durante 3 segundos, la pantalla vuelve al punto de ajuste de temperatura, o simplemente deja que el calentador regrese a la pantalla de punto de ajuste por sí sola después de un período de tiempo.

CÓDIGOS DE ERROR Y UNIDADES

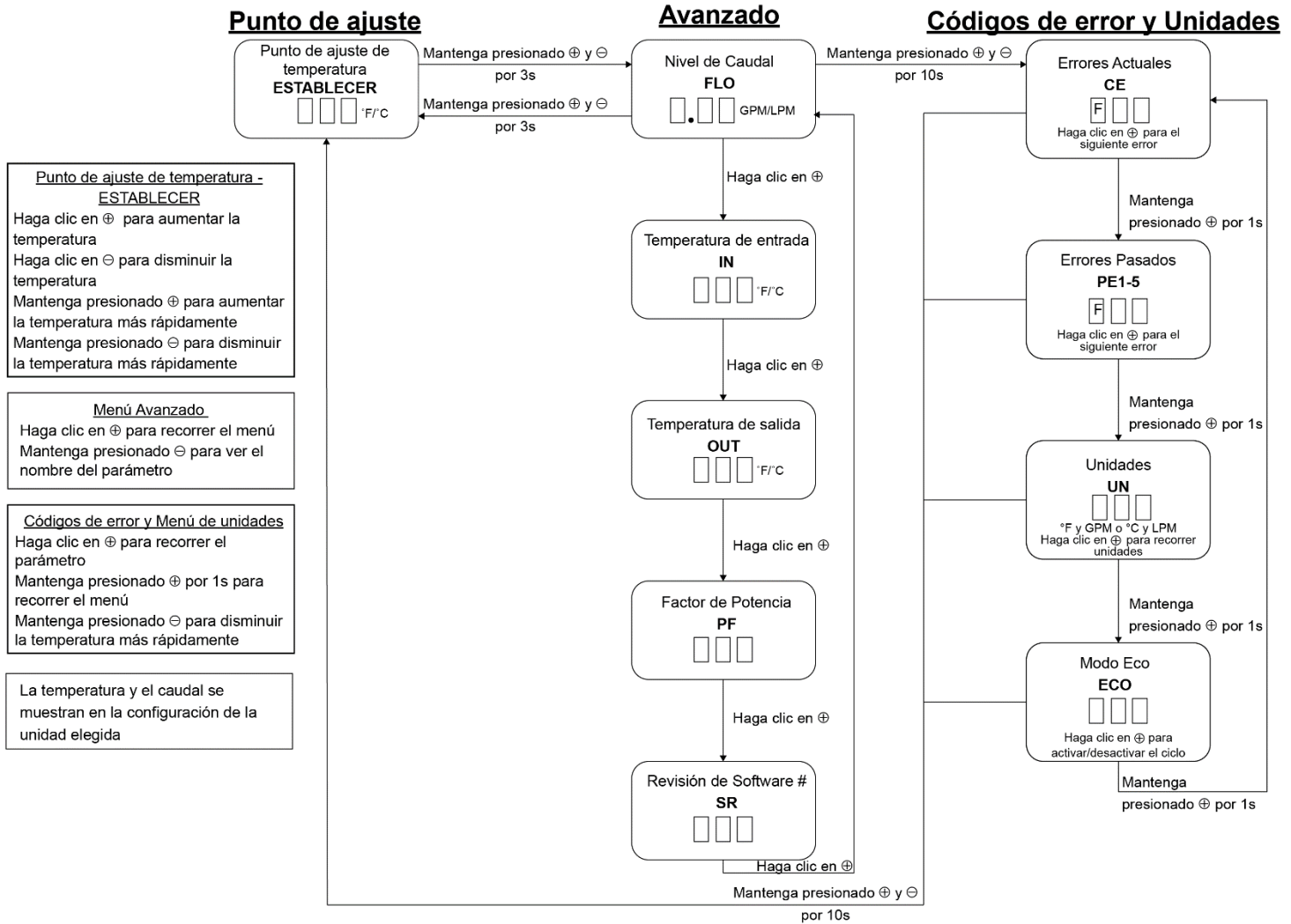
Desde el menú avanzado, presione y mantenga presionados los botones "+" y "-" durante 10 segundos.

| Información de Pantalla | Título | Descripción |
|-------------------------|--------|---|
| Error(es) actual(es) | CE | Cualquier error presente actualmente (aparece F0 si no hay errores presentes) |
| Errores Pasados | PE | 5 errores y fallos anteriores |
| Unidades | UN | Elija entre ° F / GPM y ° C / LPM |
| Modo No Silencioso | NS | Alternar operación no silenciosa |

Al presionar "-" en cualquier momento se mostrará el título de la pantalla (CE, PE1-5, UN, ECO).

Presione el botón "+" durante 1 segundo para recorrer las siguientes pantallas:

Para volver al punto de ajuste, mantenga presionado "+" y "-" durante 10 segundos, o simplemente deje que el calentador regrese a la pantalla de punto de ajuste o apague la pantalla por sí solo después de un período de tiempo.



7. RESOLUCIÓN DE PROBLEMAS



PRECAUCIÓN ASEGÚRESE DE QUE LA UNIDAD ESTÉ EN "OFF" (APAGADA) ANTES DE QUITAR LA CUBIERTA PROTECTORA POR CUALQUIER MOTIVO.

Para la resolución de estado, consulte la tabla siguiente.

| CALENTADORES DE AGUA ELÉCTRICOS SIN TANQUE TERMOSTÁTICOS Y CALENTADORES DE AGUA ELÉCTRICOS SIN TANQUE TERMOSTÁTICOS CON VÁLVULA DE MEZCLA INTEGRADA | | | | |
|---|----------------|--|---|---|
| Código | Nombre | Causas posibles | Respuesta del calentador | Soluciones posibles |
| F23 | Sin calor | - falla del elemento - Corte de energía/desperfecto - falló la apertura de el/los triac(s) - relé/contactador con desperfecto - falla en tablero de control - suministro de agua de entrada fuera de especificación | La calefacción se desactivará después de 30 segundos de condición sin calor continuo. | - medir la resistencia del elemento con la unidad completamente apagada |
| F24 | Calor bajo | - subvoltaje - falló la apertura de el/los triac(s) - falla en tablero de control - falla en termistor(es) de entrada/salida | Calefacción habilitada, rendimiento reducido (temperatura de salida más baja). | - verifique la fuente de alimentación (voltaje) mientras el calentador está funcionando |
| F33 | Calor residual | - temperatura interna del agua elevada sin caudal - falló la apertura de ambos triacs | Calefacción deshabilitada hasta que la temperatura de salida caiga por debajo de la temperatura de reactivación | - haga correr agua a través de la unidad |

| (consulte la tabla de parámetros predeterminados). | | | | |
|--|-----------------------------------|---|---|---|
| F34 | Sobrevoltaje | - el voltaje de entrada es demasiado alto en comparación con las especificaciones del calentador establecidas | Calefacción habilitada, rendimiento reducido (temperatura de salida más alta). | - haga que personal certificado verifique el voltaje de entrada - proporcionar voltaje dentro del rango especificado |
| F36 | Subvoltaje | - el voltaje de entrada es demasiado bajo en comparación con las especificaciones del calentador establecidas | Calefacción habilitada, rendimiento reducido (temperatura de salida más baja). | - haga que personal certificado verifique el voltaje de entrada - proporcionar voltaje dentro del rango especificado |
| F38 | Alto caudal | - el caudal es demasiado alto para calentar el agua a la temperatura de ajuste | Calefacción habilitada, la unidad funciona según lo previsto (temperatura de salida más baja posible). | - reducir el caudal (limitador de caudal de salida, aireador de grifo) |
| F47 | Fallo de termistor de entrada | - termistor de entrada interrumpido o desconectado | Calefacción habilitada según la configuración de temperatura de entrada predeterminada (consulte la tabla de parámetros predeterminados; es posible una temperatura de salida más alta/baja). | - inspeccionar conexiones/cableado de termistor de salida |
| F48 | Falla en termistor de salida | - termistor de salida interrumpido o desconectado | Calefacción habilitada, calibración automática deshabilitada. | - inspeccionar conexiones/cableado de termistor de salida |
| F64 | Advertencia de temperatura helada | - la temperatura de entrada es demasiado baja (inferior a 2°C) | Calefacción deshabilitada mientras la condición esté presente. | - aumente la temperatura del agua de entrada por encima de 2°C |

PARÁMETROS POR DEFECTO DE CALENTADORES DE AGUA ELÉCTRICOS SIN TANQUE TERMOSTÁTICOS Y CALENTADORES DE AGUA ELÉCTRICOS SIN TANQUE TERMOSTÁTICOS CON VÁLVULA DE MEZCLA INTEGRADA

| Código de estado | Sufijo del modelo | Valores por defecto | |
|------------------|-------------------|---------------------|------|
| F33 | T | Trip | 76°C |
| | | Reactivación | 60°C |

CALENTADORES DE AGUA ELÉCTRICOS NO TERMOSTÁTICOS SIN TANQUE

| Señal de LED | Estado/Problema | Causas posibles | Respuesta del calentador | Soluciones posibles |
|---|---|--|---|--|
| Luz fija | Calentamiento | N/C | N/C | N/C |
| Un destello cada cuatro segundos | Ralentí | N/C | - unidad espera caudal | N/C |
| Dos destellos una sola vez, pausa de tres segundos | Calor bajo | - temperatura de salida por debajo de 90°F/32°C durante 5 segundos de caudal - falla del elemento - Corte de energía/desperfecto - relé/contactador con desperfecto - falla en tablero de control - suministro de agua de entrada fuera de especificación | - unidad sigue funcionando, LED destella señal de advertencia | - reducir circulación de caudal a través de la unidad |
| Dos destellos dos veces, pausa de tres segundos | Falla en termistor de salida | - termistor de salida interrumpido o desconectado | - unidad sigue funcionando, LED destella señal de advertencia | - inspeccionar conexiones/cableado de termistor de salida |
| Dos destellos tres veces, pausa de tres segundos | Advertencia de exceso de temperatura | - temperatura de salida excede los 110°F/43°C | - unidad sigue funcionando, LED destella señal de advertencia | - aumentar circulación de caudal a través de la unidad. Si se desea esta temperatura, no es necesario hacer nada |
| Tres destellos una sola vez, pausa de tres segundos | Protección contra exceso de temperatura | - temperatura de salida excede los 150°F/65°C | - unidad deja de calentar hasta que la temperatura de salida cae por debajo del mínimo preestablecido | - aumentar la circulación de caudal a través de la unidad para disminuir el aumento de temperatura general |
| Tres destellos dos veces, pausa de tres segundos | Advertencia de temperatura helada | - la temperatura de salida es demasiado baja (inferior a 35°F/2°C) | - calentamiento deshabilitado | - aumentar la temperatura del agua de entrada para cumplir |

8. MANTENIMIENTO PERIÓDICO

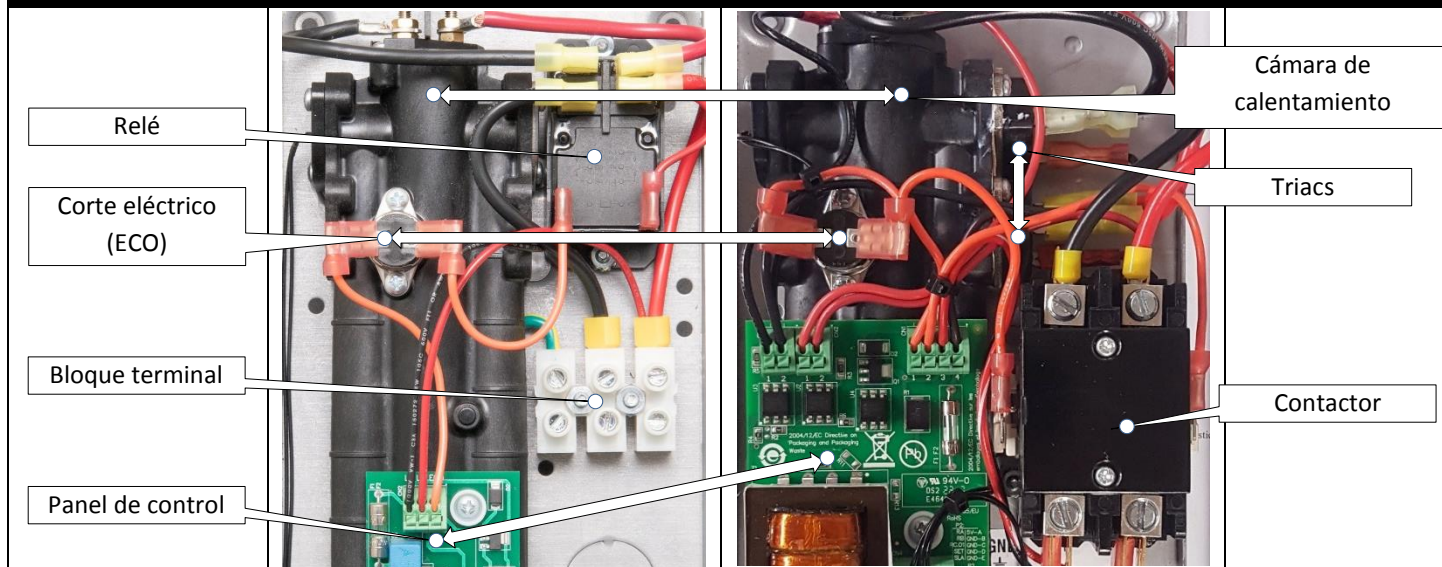
El calentador está diseñado para muchos años de uso sin preocupación alguna. Para mantener un caudal de agua parejo, podría ser necesario limpiar periódicamente el aireador de la canilla o el filtro que se encuentra en el accesorio de entrada de bronce en el calentador.

Cartucho del elemento se instala en el interior de la cámara de calefacción de todos los calentadores



CALENTADORES DE AGUA ELÉCTRICOS NO TERMOSTÁTICOS SIN TANQUE

CALENTADORES DE AGUA ELÉCTRICOS SIN TANQUE TERMOSTÁTICOS Y CALENTADORES DE AGUA ELÉCTRICOS SIN TANQUE TERMOSTÁTICOS CON VÁLVULA DE MEZCLA INTEGRADA



9. NÚMEROS DE PIEZA DE REPUESTO

| ACCESORIOS DE COMPRESIÓN | |
|--------------------------|-------|
| TUERCA DE 3/8" | EX68B |
| MANGUITO 3/8" | EX68C |

| AIREADORES | |
|------------|----------------|
| 0,35 GPM | EX0061-0.3-AER |
| 0,5 GPM | EX0061-0.5-AER |

| Corte de Energía (ECO) | |
|---|----------------|
| Calentadores de agua eléctricos termostáticos sin tanque (por sufijo) | |
| Base | EX278A-KIT |
| Calentadores de agua sin tanque eléctricos termostáticos con mezclador integrado | |
| Base | EX278A-KIT |
| Calentadores de agua eléctricos no termostáticos sin tanque | |
| Base | EX278A-KIT |
| CA | EX08100-03-KIT |

| ADAPTADORES DE PLOMERÍA | |
|---|----------|
| MACHO 13/16"-27 X MACHO 55/64"-27 | EX61-339 |
| HEMBRA 3/4"-27 X MACHO 55/64"-27 | EX61-341 |
| HEMBRA 13/16"-24 X MACHO 55/64"-27 | EX61-349 |
| MACHO 15/16"-27 X MACHO 55/64"-27 | EX61-336 |
| MACHO 11/16"-27 X MACHO 55/64"-27 | EX61-344 |
| MACHO M24X1/HEMBRA M22X1 X MACHO 55/64"-27 | EX61-387 |

10. PIEZAS DE REPARACIÓN

**Calentadores de agua eléctricos sin tanque termostáticos y
Calentadores de agua eléctricos sin tanque termostáticos
con válvula de mezcla integrada**

| NÚMERO DE MODELO* | | | | |
|---|---|------------------------------|-------------------------|-------------|
| CALENTADORES DE AGUA ELÉCTRICOS SIN TANQUE TERMOSTÁTICOS | CALENTADORES DE AGUA ELÉCTRICOS SIN TANQUE TERMOSTÁTICOS CON VÁLVULA DE MEZCLA INTEGRADA | CARTUCHO DEL ELEMENTO | PANEL DE CONTROL | RELÉ |
| RTEH1812T | - | EX800 PRT | EX384-120 | EX259B |
| RTEH2412T | - | EX610 | EX384-120 | EX259B |
| RTEH3012T | - | EX480 | EX384-120 | EX259B |
| RTEH3512T | RTEH004120MV | EX410 | EX384-120 | EX259B |
| RTEH35T | - | EX1650 | EX384-240 | EX255B |
| RTEH48T | RTEH005240MV | EX1200 | EX384-240 | EX255B |
| RTEH55T | - | EX1050 | EX384-240 | EX255B |
| RTEH65T | RTEH007240MV | EX890 | EX384-240 | EX255B |
| RTEH75T | - | EX770 | EX384-240 | EX255B |
| RTEH95T | RTEH010240MV | EX630 | EX384-240 | EX255B |
| RTEH012240T | RTEH012240MV | EX500 PRT | EX384-240 | EX1050-1 |
| RTEH3208T | - | EX1440 | EX384-240 | EX255B |
| RTEH4208T | - | EX1050 | EX384-240 | EX255B |
| RTEH8202T | - | EX520 | EX384-240 | EX255B |
| RTEH3277T | - | EX260 | EX384-277 | EX253B |
| RTEH4277T | RTEH004277MV | EX1920 | EX384-277 | EX253B |
| RTEH60T | - | EX1280 | EX384-277 | EX253B |
| RTEH80T | RTEH008277MV | EX960 | EX384-277 | EX253B |
| RTEH90T | - | EX850 | EX384-277 | EX253B |
| RTEH100T | RTEH010277MV | EX760 | EX384-277 | EX253B |

Calentadores de agua eléctricos sin tanque no termostáticos

| NÚMERO DE MODELO* | CARTUCHO DEL ELEMENTO | PANEL DE CONTROL | RELÉ |
|--------------------------|------------------------------|-------------------------|-------------|
| RTEH1812 | EX800 PRT | EX383 | EX250B |
| RTEH2412 | EX610 | EX383 | EX250B |
| RTEH3012 | EX480 | EX383 | EX250B |
| RTEH3512 | EX410 | EX383 | EX250B |
| RTEH35 | EX1650 | EX383 | EX254 |
| RTEH48 | EX1200 | EX383 | EX254 |
| RTEH55 | EX1050 | EX383 | EX254 |
| RTEH65 | EX890 | EX383 | EX254 |
| RTEH75 | EX770 | EX383 | EX255B |
| RTEH95 | EX630 | EX383 | EX255B |
| RTEH3208 | EX1440 | EX383 | EX254B |
| RTEH4208 | EX1050 | EX383 | EX254B |
| RTEH8208 | EX520 | EX383 | EX255B |
| RTEH3277 | EX260 | EX383 | EX251B |
| RTEH4277 | EX1870 | EX383 | EX251B |
| RTEH60 | EX1280 | EX383 | EX251B |
| RTEH80 | EX960 | EX383 | EX251B |
| RTEH90 | EX850 | EX383 | EX253B |
| RTEH100 | EX760 | EX383 | EX253B |

Si necesita ayuda de nuestro Departamento de Servicio Técnico, asegúrese de identificar este calentador de agua anotando

modelo nº: _____

y número de serie: _____.

Departamento Nacional de Servicio del Fabricante | 400 Captain Neville Dr. Waterbury, CT 06705

Eemax® 800-543-6163 | EcoSmart® 877-474-6473 | Rheem® o Richmond® 800-374-8806



GUIDE D'INSTALLATION ET MANUEL DU PROPRIÉTAIRE

Chauffe-eau électriques thermostatiques sans réservoir ^{MD}, Chauffe-eau électriques thermostatiques sans réservoir avec mitigeur intégré ^{MD}, y Chauffe-eau électriques sans réservoir non thermostatiques ^{MD}



CHAUFFE-EAU INSTANTANÉS ÉLECTRIQUES



WARNING

AVANT TOUTE TENTATIVE D'INSTALLATION, DE MODIFICATION OU D'ENTRETIEN DU CHAUFFE-EAU, ASSUREZ-VOUS QUE L'ALIMENTATION ÉLECTRIQUE EST DÉCONNECTÉE.

Lisez et comprenez bien les instructions avant d'essayer d'installer ou d'entretenir le chauffe-eau. Le non-respect des instructions peut entraîner des blessures graves, la mort ou des dommages matériels. La garantie du chauffe-eau dépendra de l'installation appropriée et selon les instructions. Certains appareils de chauffage sont fournis avec des aérateurs de robinet séparés. S'il est fourni, l'aérateur doit être installé dans le robinet pour un rendement optimal. Le chauffe-eau ne doit être utilisé que pour chauffer l'eau et doit être installé dans un endroit où il n'est pas soumis au gel. Le fabricant n'est pas responsable des dommages résultant d'une mauvaise installation ou d'une mauvaise utilisation.

L'installation doit être conforme aux exigences les plus récentes du « National Electrical Code » (Code national de l'électricité) et à tous les codes d'état et locaux applicables. Ces informations sont disponibles auprès des autorités locales. Vous devez bien comprendre les exigences avant de commencer cette installation.

La norme UL 499 n'exige pas que ce chauffe-eau utilise une soupape de sûreté de température et pression (T&P). Vérifiez les codes locaux pour savoir si cela est nécessaire. Si c'est le cas, elle doit être installée dans le tuyau de sortie d'eau chaude de sortie entre le chauffe-eau et la soupape d'isolement.

CONSIGNES DE SÉCURITÉ IMPORTANTES

Lors de l'utilisation d'équipement électrique, les précautions de sécurité de base doivent toujours être respectées, y compris ce qui suit :

LISEZ ET SUIVEZ TOUTES LES INSTRUCTIONS

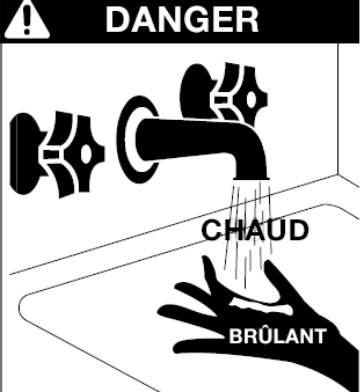
N'alimentez le chauffe-eau qu'à partir d'un système mis à la terre. Une borne verte (ou un connecteur de fil marqué « G », « GR », « Ground » ou « GROUNDING ») est prévu pour le câblage de l'appareil. Pour réduire le risque de décharge électrique, branchez cette borne ou ce connecteur à la borne de mise à la terre du panneau de service ou d'alimentation électrique avec un fil de cuivre continu. Le raccord doit être effectué conformément au code de l'installation électrique.

Table des matières

| | |
|--|----|
| 1. GÉNÉRALITÉS..... | 34 |
| 2. MONTAGE DE L'APPAREIL SUR LE MUR..... | 34 |
| 3. BRANCHEMENT DE LA PLOMBERIE..... | 35 |
| 4. BRANCHEMENT ÉLECTRIQUE..... | 38 |
| 5. MISE EN SERVICE DU CHAUFFE-EAU..... | 39 |
| 6. FONCTIONNEMENT DE L'UNITÉ THERMOSTATIC TANKLESS ELECTRIC WATER HEATERS..... | 42 |
| 7. DÉPANNAGE..... | 43 |
| 8. ENTRETIEN PÉRIODIQUE..... | 45 |
| 9. NUMÉROS DES PIÈCES DE RECHANGE..... | 46 |
| 10. PIÈCES DE RECHANGE..... | 46 |

| | |
|--------------------|--|
| ⚠ ATTENTION | DO NOT INSTALL IN A BATH ENCLOSURE OR SHOWER STALL OR CONNECT TO A SALT-REGENERATED WATER SOFTENER OR A WATER SUPPLY OF SALT WATER. ATTENTION : NE PAS INSTALLER DANS UNE BAIGNOIRE OU UNE CABINE DE DOUCHE ET NE PAS BRANCHER À UN ADOUCISSEUR D'EAU RÉGÉNÉRÉ AVEC DU SEL OU À UN APPROVISIONNEMENT EN EAU SALÉE. |
| ⚠ ATTENTION | (CANADIAN INSTALLATIONS ONLY) CONNECT ONLY TO A CIRCUIT PROTECTED BY A CLASS A GROUND FAULT CIRCUIT INTERRUPTER. ATTENTION : BRANCHER UNIQUEMENT À UN CIRCUIT PROTÉGÉ PAR UN DISJONCTEUR DE FUITE DE TERRE DE CLASSE A. |
| ⚠ ATTENTION | (INSTALLATIONS CANADIENNES SEULEMENT) UTILISER UNIQUEMENT DES CONDUCTEURS EN CUIVRE. UTILISEZ UN CONDUCTEUR DE MISE À LA MASSE CONFORMÉMENT À LA PARTIE I DU CODE CANADIEN DE L'ÉLECTRICITÉ. UTILISEZ DES CONDUCTEURS EN CUIVRE UNIQUEMENT. UTILISEZ DES CONDUCTEURS DE MISE À LA MASSE CONFORMÉMENT AU CODE CANADIEN DE L'ÉLECTRICITÉ, PARTIE I. |

CONSERVEZ CES INSTRUCTIONS

| | |
|---|---|
| ⚠ DANGER | <p>L'eau chaude peut être dangereuse, surtout pour les nourrissons ou les enfants, les personnes âgées ou handicapées. Il y a un risque d'ébouillantage à l'eau chaude si la température du thermostat est trop élevée.</p> <p>Les températures de l'eau supérieures à 51 °C (125 °F) peuvent causer de graves brûlures ou des ébouillantages mortels.</p> <p>L'eau chaude peut causer des brûlures au premier degré avec une exposition aussi courte que :</p> <ul style="list-style-type: none"> Trois secondes à 60 °C (140 °F) Trois secondes à 54 °C (130 °F) Huit minutes à 48 °C (120 °F) <p>Testez la température de l'eau avant de placer un enfant dans le bain ou la douche.</p> <p>Ne laissez pas un enfant ou une personne handicapée dans le bain sans surveillance.</p> |
|  | |

1. GÉNÉRALITÉS

Rheem^{MD} propose des chauffe-eau électriques thermostatiques, des chauffe-eau thermostatiques avec mitigeur intégré et des chauffe-eau non-thermostatiques sans réservoir.

Pour offrir un rendement optimal et réaliser des économies d'énergie, le chauffe-eau doit être situé le plus près possible du point d'utilisation. L'unité est fournie avec des anneaux de compression et des écrous appropriés pour le couplage direct à des tuyaux en cuivre de 1,0 cm (3/8 po) ou tuyauterie PEXTM. N'utilisez pas de raccords vissés, de pâte lubrifiante ou de ruban téflon : cela annulerait la garantie. **NE PAS SOUDER LES TUYAUX PENDANT L'INSTALLATION DE L'UNITÉ**, car il en résulterait de sérieux dommages au chauffe-eau et l'annulation de la garantie.

Les chauffe-eau thermostatiques Thermostatic Tankless Electric Water Heaters[®] sont conçus pour accepter l'eau froide ou préchauffée et pour la chauffer à des températures adaptées à un usage domestique normal jusqu'à un point de consigne de température maximum de 60 °C (140 °F).

Les chauffe-eau thermostatiques Thermostatic Tankless Electric Water Heaters with Integrated Mixing Valve[™] avec mitigeur intégré sont conçus pour utiliser de l'eau froide et la chauffer à des températures adaptées au lavage des mains et à d'autres utilisations à température tempérée jusqu'à un prééplage d'usine de 41 °C (105 °F). Les chauffe-eau sont également munis d'un mitigeur conformes avec la norme ASSE 1070-2004 afin de respecter le code UPC 407.3 et les codes de plomberie similaires pour les applications publiques de lavage des mains.

Les chauffe-eau non thermostatiques Non-thermostatic Tankless Electric Water Heaters[™] sont conçus pour utiliser de l'eau froide et la chauffer à des températures adaptées au lavage des mains et à d'autres applications à débit fixe.

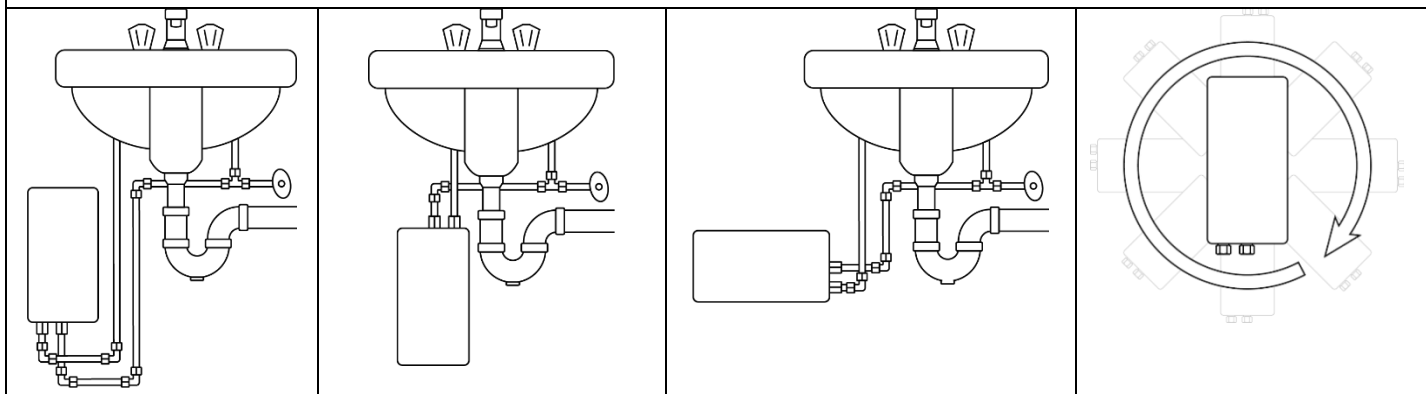
2. MONTAGE DE L'APPAREIL SUR LE MUR

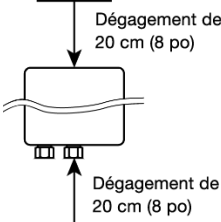
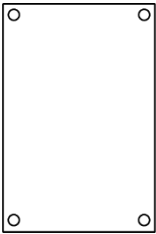
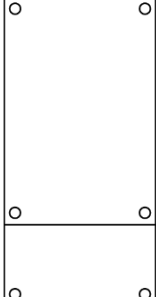


CET APPAREIL DOIT ÊTRE INSTALLÉ DANS UN ENDROIT OÙ IL N'EST PAS SOUMIS AU GEL.

Le chauffe-eau doit être monté sur le mur sous l'évier, aussi près que possible du point d'utilisation. La position idéale est la position des raccords pointés vers le bas, mais le chauffe-eau peut être monté dans n'importe quelle orientation.

Remarque : Un autocollant du logo a été fourni pour garantir que la marque est clairement affichée, et ce, peu importe l'orientation de montage.



| | |
|---|---|
| Assurez-vous de laisser un dégagement minimum de 20,3 cm (8 po) à l'extrémité OPPOSÉE des raccords. |  |
| Retirez le couvercle et fixez au mur à l'aide des trous de fixation situés à chaque coin de la plaque arrière. Remettez le couvercle en place. | |
| <p>Chauffe-eau électriques sans réservoir non thermostatiques</p> <p>Chauffe-eau thermostatiques électriques sans réservoir</p>  | <p>Chauffe-eau thermostatiques électriques sans réservoir avec mitigeur intégré</p>  |

3. BRANCHEMENT DE LA PLOMBERIE

Le chauffe-eau est fourni avec des raccords de compression en laiton de 1,0 cm (3/8 po) qui sont compatibles avec soit les tuyaux de cuivre ou de plastique. Assurez-vous que ces raccords sont utilisés pour cette installation. Contactez votre représentant Rheem pour plus d'informations.



NE JAMAIS REMPLACER LES RACCORDS DE TUYAUTERIE FILETÉS EN UTILISANT DE LA PÂTE LUBRIFIANTE OU DU RUBAN TÉFLON ET NE JAMAIS SOUDER LES RACCORDS DE TUYAUTERIE PENDANT QU'ILS SONT ATTACHÉS À CE CHAUFFE-EAU, CAR CELA ENDOMMAGERAIT LE CHAUFFE-EAU. CELA ANNULERAIT LA GARANTIE!

Rheem recommande fortement que le chauffe-eau soit alimenté directement par la conduite principale d'eau froide lorsque c'est possible. Cela permet d'éviter une interruption potentielle du flux d'eau vers le chauffe-eau, ce qui pourrait entraîner une défaillance de l'élément chauffant.

Exigences du système :

- Les débits d'activation minimum dépendent de la gamme de produit :
 - Chauffe-eau électrique sans réservoir thermostatique:** 0,2 gal/min
 - Chauffe-eau thermostatiques électriques sans réservoir avec mitigeur intégré:** 0,3 gal/min
 - Chauffe-eau électrique sans réservoir non thermostatique:** varie selon le modèle (se référer au tableau ci-dessous)
- Pression de service minimale/maximale : 30 PSI/150 PSI
- Plage de pression de fonctionnement optimale : 35 à 80 PSI

| Modèle de base* | Débit d'activation, GPM (LPM) | | | | | | |
|-----------------|-------------------------------|----------------|---------------|---------------|---------------|---------------|---------------|
| | 0,2 (0,76) | 0,25 (0,95) | 0,3 (1,14) | 0,4 (1,51) | 0,5 (1,89) | 0,7 (2,65) | 0,8 (3,03) |
| RTEH1812 | • | | | | | | |
| RTEH2412 | | • | | | | | |
| RTEH3012 | | • | | | | | |
| RTEH3512 | | | • | | | | |
| RTEH35 | | | • | | | | |
| RTEH48 | | | | • | | | |
| RTEH55 | | | | | • | | |
| RTEH65 | | | | | | • | |
| RTEH75 | | | | | | • | |
| RTEH95 | | | | | | | • |
| RTEH3208 | | • | | | | | |
| RTEH4208 | | | | • | | | |
| RTEH8208 | | | | | | • | |
| RTEH3277 | | • | | | | | |

Service après-vente national du fabricant | 400 Captain Neville Dr. Waterbury, CT 06705

Eemax^{MD} 1 800 543-6163 | EcoSmart^{MD} 1 877 474-6473 | Rheem^{MD} ou Richmond^{MD} 1 800 374-8806

Les renseignements contenus dans ce document sont susceptibles d'être modifiés sans préavis.

| | | | | | | | |
|----------|--|--|--|--|---|---|---|
| RTEH4277 | | | | | • | | |
| RTEH60 | | | | | | • | |
| RTEH80 | | | | | | • | |
| RTEH90 | | | | | | • | |
| RTEH100 | | | | | | | • |

* Les modèles spéciaux avec suffixe (c.-à-d. CA, etc.), auront des augmentations de température identiques à celles de leur modèle de base

Pour un rendement optimal, Rheem recommande l'utilisation de soupapes d'isolation (type robinet à tournant sphérique en plein débit) sur les tuyaux d'entrée et de sortie.

Nettoyez régulièrement l'écran pour assurer de meilleures performances.



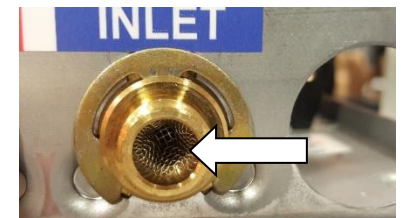
AVANT TOUTE TENTATIVE D'INSTALLATION, DE MODIFICATION OU D'ENTRETIEN DE CE CHAUFFE-EAU, ASSUREZ-VOUS QUE L'ALIMENTATION ÉLECTRIQUE EST DÉCONNECTÉE.

L'ENTRÉE et la SORTIE d'eau du chauffe-eau sont étiquetées. Installez des robinets à tournant sphérique en plein débit aux tuyaux d'entrée et de sortie et faites passer de l'eau à travers le tuyau d'entrée dans un seau pour le purger de tout débris. Fermez le robinet à tournant sphérique d'entrée.

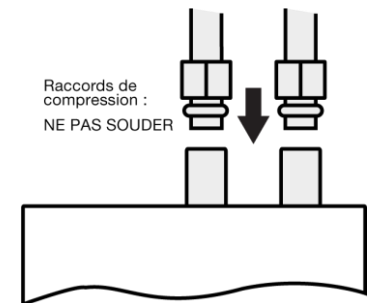
* Le non-respect de cette directive peut causer l'obstruction du tamis d'eau d'entrée.



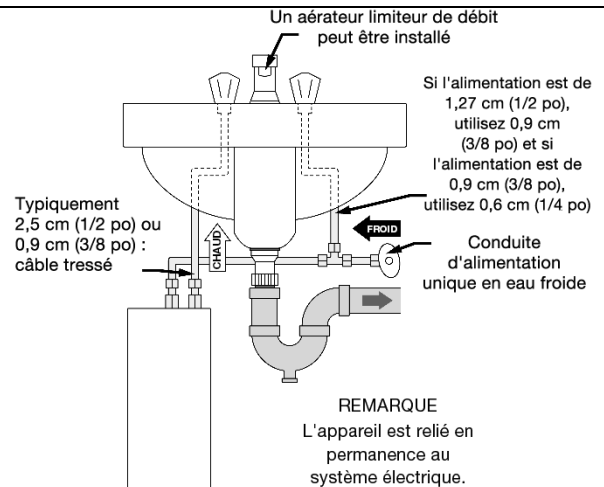
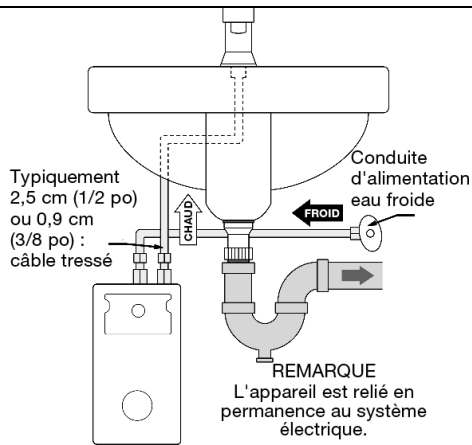
Assurez-vous que la grille du filtre d'entrée est présente dans le raccord d'entrée et que les tuyaux d'entrée et de sortie sont correctement alignés avec les raccords du chauffe-eau afin de minimiser les contraintes sur le chauffe-eau.



Retirez le couvercle. Raccordez les tuyaux d'entrée et de **sortie pré-assemblés au chauffe-eau (ne pas trop serrer les raccords à compression)** et ouvrez complètement les robinets à tournant sphérique d'entrée et de sortie. Vérifiez l'absence de fuites d'eau à tous les raccords de plomberie. En cas de fuite au niveau du raccord à compression, serrez **lentement** l'écrou de compression jusqu'à ce que la fuite cesse - **ne pas trop serrer**.



Exemples de schémas d'installation:



Remarque : chauffe-eau électriques sans réservoir thermostatiques et Chauffe-eau électriques sans réservoir thermostatiques avec mitigeur intégré uniquement

Ouvrez le robinet d'eau chaude et faites couler l'eau pendant au moins 60 secondes et jusqu'à ce que le débit soit continu et exempt de poches d'air. Fermez le robinet et installez l'aérateur (si fourni).

Si l'aérateur n'est pas installé, le rendement du chauffe-eau sera moins que favorable.

| MODÈLE | NOMBRES D'AÉRATEURS |
|---|---------------------|
| CHAUFFE-EAU ÉLECTRIQUES THERMOSTATIQUES SANS RÉSERVOIR ** | |
| RTEH3512T | 2 |
| RTEH35T | 2 |
| RTEH48T | 2 |
| RTEH55T | 2 |
| RTEH65T | 2 |
| RTEH75T | 2 |
| RTEH95T | 3 |
| RTEH012240T | 3 |

| MODÈLE | NOMBRES D'AÉRATEURS |
|---|---------------------|
| CHAUFFE-EAU ÉLECTRIQUES THERMOSTATIQUES SANS RÉSERVOIR ** | |
| RTEH3208T | 2 |
| RTEH4208T | 2 |
| RTEH3277T | 2 |
| RTEH4277T | 2 |
| RTEH8208T | 3 |
| RTEH60T | 2 |
| RTEH80T | 2 |
| RTEH90T | 3 |
| RTEH100T | 3 |

| MODÈLE | NOMBRES D'AÉRATEURS |
|---|---------------------|
| CHAUFFE-EAU ÉLECTRIQUES THERMOSTATIQUES SANS RÉSERVOIR AVEC VANNE DE MÉLANGE INTÉGRÉE | |
| RTEH004120MV | 1 |
| RTEH005240MV | 1 |
| RTEH007240MV | 2 |
| RTEH010240MV | 3 |
| RTEH012240MV | 4 |
| RTEH004277MV | 1 |
| RTEH008277MV | 2 |
| RTEH010277MV | 3 |

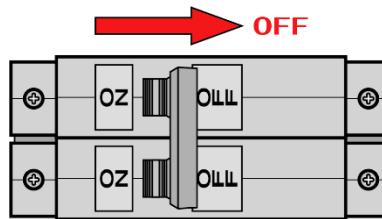
** Veuillez installer les aérateurs fournis pour assurer des performances de chauffage maximales.



4. BRANCHEMENT ÉLECTRIQUE


AVERTISSEMENT

AVANT DE COMMENCER LES TRAVAUX SUR CETTE INSTALLATION, VÉRIFIEZ QUE LE DISJONCTEUR ÉLECTRIQUE EST « OFF » ET QUE TOUS LES TRAVAUX DE MONTAGE ET DE PLOMBERIE ONT ÉTÉ EFFECTUÉS CONFORMÉMENT AUX INSTRUCTIONS INDIQUÉES.

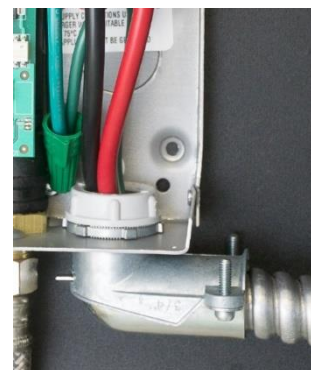


À utiliser uniquement sur un circuit de dérivation individuel. Le chauffe-eau doit être installé en utilisant uniquement un circuit de dérivation individuel, en utilisant un câble isolé, homologué UL, à 2 fils (2 fils plus mise à la terre) de la taille appropriée convenant jusqu'à 75 °C et protégé par un disjoncteur de capacité nominale adéquate.

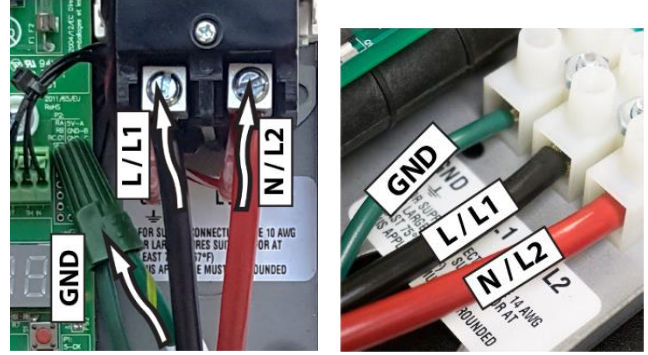
Consultez le tableau ci-dessous pour le câblage en cuivre recommandé pour les conducteurs d'une température nominale de 75 °C:

| Chauffe-eau électriques sans réservoir non thermostatiques | Chauffe-eau thermostatiques électriques sans réservoir | Chauffe-eau thermostatiques électriques sans réservoir avec mitigeur intégré | Tension (VCA) | Puissance max (kW) | Courant max (A) | Taille minimale du fil (AWG) à 75 °C |
|--|--|--|---------------|--------------------|-----------------|--------------------------------------|
| RTEH1812 | RTEH1812T | - | 120 | 1,8 | 15 | 14 |
| RTEH2412 | RTEH2412T | - | 120 | 2,4 | 20 | 14 |
| RTEH3012 | RTEH3012T | - | 120 | 3 | 25 | 12 |
| RTEH3512 | RTEH3512T | RTEH004120MV | 120 | 3,5 | 29 | 10 |
| RTEH35 | RTEH35T | - | 240 | 3,5 | 15 | 14 |
| RTEH48 | RTEH48T | RTEH005240MV | 240 | 4,8 | 20 | 14 |
| RTEH55 | RTEH55T | - | 240 | 5,5 | 23 | 12 |
| RTEH65 | RTEH65T | RTEH007240MV | 240 | 6,5 | 27 | 10 |
| RTEH75 | RTEH75T | - | 240 | 7,5 | 32 | 10 |
| RTEH95 | RTEH95T | RTEH010240MV | 240 | 9,5 | 40 | 8 |
| - | RTEH012240T | RTEH012240MV | 240 | 11,5 | 48 | 8 |
| RTEH3208 | RTEH3208T | - | 208 | 3 | 15 | 14 |
| RTEH4208 | RTEH4208T | - | 208 | 4,1 | 20 | 14 |
| RTEH8208 | RTEH8208T | - | 208 | 8,3 | 40 | 8 |
| RTEH3277 | RTEH3277T | - | 277 | 3 | 11 | 14 |
| RTEH4277 | RTEH4277T | RTEH004277TMV | 277 | 4,1 | 14,8 | 14 |
| RTEH60 | RTEH60T | - | 277 | 6 | 22 | 12 |
| RTEH80 | RTEH80T | RTEH008277MV | 277 | 8 | 29 | 10 |
| RTEH90 | RTEH90T | - | 277 | 9 | 33 | 10 |
| RTEH100 | RTEH100T | RTEH010277MV | 277 | 10 | 36 | 8 |

L'entrée du câble d'alimentation du chauffe-eau doit se faire par l'un des trous d'extraction situés sur la plaque arrière ou sur les extrémités supérieure / inférieure de l'appareil. Utilisez le raccord de décharge de traction approprié.



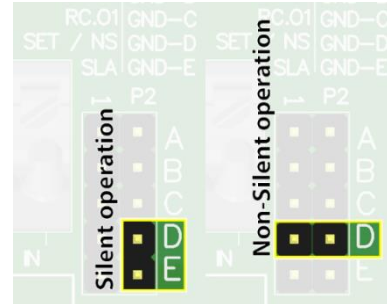
Les câbles d'alimentation doivent être fixés aux connecteurs L1 et L2 ou L et N sur le bornier ou le relais. Le fil de terre doit être fixé au connecteur de mise à la terre (GND) du bloc ou au fil de terre vert à l'aide de l'écrou fourni.



AVERTISSEMENT

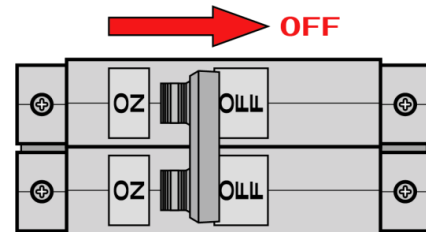
LE DÉFAUT DE METTRE À LA TERRE LE SYSTÈME PEUT ENTRAÎNER DES BLESSURES GRAVES, LA MORT OU DES DOMMAGES MATÉRIELS.

Facultatif : Les chauffe-eau Thermostatic Tankless Electric Water Heaters with Integrated Mixing Valve sont pré-réglés en mode silencieux. Si le mode silencieux est l'utilisation prévue, veuillez passer à l'étape 4. Pour basculer entre le fonctionnement silencieux et sonore, placez le cavalier du panneau de commande en position « D ».



Laissez le disjoncteur en position « Arrêt ». Passez à la section suivante :

MISE EN SERVICE DU CHAUFFE-EAU

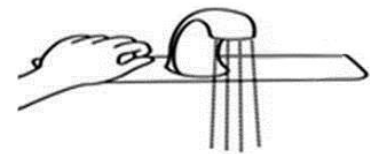


5. MISE EN SERVICE DU CHAUFFE-EAU

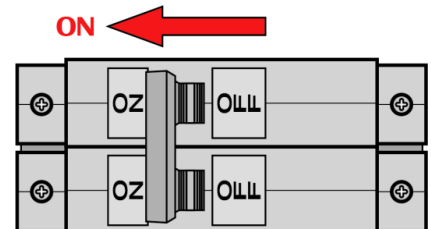


AVANT D'ALLUMER LE DISJONCTEUR ÉLECTRIQUE, VÉRIFIEZ QUE LES ROBINETS À TOURNANT SPHÉRIQUE D'ENTRÉE ET DE SORTIE SONT COMPLÈTEMENT OUVERTS ET QUE L'EAU CIRCULE DANS LE ROBINET D'EAU CHAUDE PENDANT UNE MINUTE OU DEUX JUSQU'À CE QUE LE DÉBIT SOIT CONTINU ET EXEMPT DE POCHES D'AIR. N'ALLUMEZ PAS LE DISJONCTEUR S'IL Y A UNE POSSIBILITÉ QUE L'EAU DANS LE CHAUFFE-EAU SOIT GELÉE.

1. Vérifiez que l'eau s'écoule par le robinet.



Activez l'alimentation électrique au disjoncteur.



Les étapes suivantes dépendent du chauffe-eau, veuillez vous assurer de lire toutes les instructions pour mettre en service le modèle approprié de la meilleure façon.

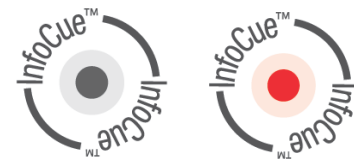
CHAUFFE-EAU ÉLECTRIQUES THERMOSTATIQUES SANS RÉSERVOIR Y CHAUFFE-EAU ÉLECTRIQUES THERMOSTATIQUES SANS RÉSERVOIR AVEC VANNE DE MÉLANGE INTÉGRÉE

Laissez l'eau couler dans le robinet pour l'étape suivante.
L'écran de la carte de circuit imprimé devrait s'activer. Lorsque le débit fonctionne, le chauffe-eau passe par la procédure de démarrage/d'autoétalonnage de 60 secondes. L'écran affichera un compte à rebours de 60 à 0. Lorsque la minuterie de l'écran atteint 45, l'unité commence à chauffer et le compte à rebours se poursuit jusqu'à 0.

Après les 60 secondes de l'étape 4, l'écran affichera le point de consigne de température. Voir **C'est à ce moment-là que le chauffe-eau est mis en service.** Le robinet peut être fermé et utilisé au besoin.
Remarque : L'affichage de la température s'éteint après 5 minutes d'inactivité. L'écran s'allume lorsque de l'eau coule à travers le chauffe-eau.

CHAUFFE-EAU ÉLECTRIQUES NON THERMOSTATIQUES SANS RÉSERVOIR

Le InfoCue™ clignotera rapidement pendant que l'eau coule à travers l'appareil. Maintenez le flux.
Après 15 secondes, l'InfoCue deviendra rouge et vous entendrez un clic.
C'est à ce moment-là que le chauffe-eau est mis en service. Le robinet peut être fermé et utilisé au besoin.
En l'absence de débit, l'appareil clignote toutes les 4 secondes, ce qui indique le mode veille normal.



Félicitations!

Votre chauffe-eau électrique sans réservoir Rheem est installé et prêt à l'emploi!

Pour connaître l'augmentation de température au débit précisé, veuillez consulter le tableau ci-dessous:

| MODÈLE DE BASE | | DÉBIT, GAL/MIN (L/MIN) | | | | | | |
|--|--|---|------------|----------|------------|----------|------------|-----------|
| | | 0,35 (1,33) | 0,5 (1,89) | 1 (3,79) | 1,5 (5,68) | 2 (7,58) | 2,5 (9,48) | 3 (11,37) |
| Chauffe-eau thermostatique s électriques sans réservoir | Chauffe-eau thermostatiques électriques sans réservoir avec mitigeur intégré | AUGMENTATION DE LA TEMPÉRATURE, °F (°C) | | | | | | |
| | | | | | | | | |
| RTEH1812T | - | 35 (19) | 25 (14) | 12 (7) | 8 (4) | 6 (3) | 5 (3) | 4 (2) |
| RTEH2412T | - | 47 (26) | 33 (18) | 16 (9) | 11 (6) | 8 (4) | 7 (4) | 5 (3) |
| RTEH3012T | - | 59 (33) | 41 (23) | 20 (11) | 14 (8) | 10 (6) | 8 (4) | 7 (4) |
| RTEH3512T | RTEH004120MV | 68 (38) | 48 (27) | 24 (13) | 16 (9) | 12 (7) | 10 (6) | 8 (4) |
| RTEH35T | - | 68 (38) | 48 (27) | 24 (13) | 16 (9) | 12 (7) | 10 (6) | 8 (4) |
| RTEH48T | RTEH005240MV | 94** (52) | 66 (37) | 33 (18) | 22 (12) | 16 (9) | 13 (7) | 11 (6) |
| RTEH55T | - | 107** (59) | 75 (42) | 38 (21) | 25 (14) | 19 (11) | 15 (8) | 13 (7) |
| RTEH65T | RTEH007240MV | 127** (71) | 89 (49) | 44 (24) | 30 (17) | 22 (12) | 18 (10) | 15 (8) |
| RTEH75T | - | 146** (81) | 102** (57) | 51 (28) | 34 (19) | 26 (14) | 20 (11) | 17 (9) |
| RTEH95T | RTEH010240MV | 185** (103) | 130** (72) | 65 (36) | 43 (24) | 32 (18) | 26 (14) | 22 (12) |
| RTEH012240T | RTEH012240MV | 224** (124) | 157** (87) | 79 (44) | 52 (29) | 39 (22) | 31 (17) | 26 (14) |
| RTEH3208T | - | 59 (33) | 41 (23) | 20 (11) | 14 (8) | 10 (6) | 8 (4) | 7 (4) |
| RTEH4208T | - | 80 (44) | 56 (31) | 28 (16) | 19 (11) | 14 (8) | 11 (6) | 9 (5) |
| RTEH8208T | - | 162** (90) | 113** (63) | 57 (32) | 38 (21) | 28 (16) | 23 (13) | 19 (11) |
| RTEH3277T | - | 59 (33) | 41 (23) | 20 (11) | 14 (8) | 10 (6) | 8 (4) | 7 (4) |
| RTEH4277T | RTEH004277MV | 78 (43) | 56 (31) | 28 (16) | 19 (11) | 14 (8) | 11 (6) | 9 (5) |
| RTEH60T | - | 117** (65) | 82 (46) | 41 (23) | 27 (15) | 20 (11) | 16 (9) | 14 (8) |
| RTEH80T | RTEH008277MV | 156** (87) | 109** (61) | 55 (31) | 36 (20) | 27 (15) | 22 (12) | 18 (10) |
| RTEH90T | - | 176** (98) | 123** (68) | 61 (34) | 41 (23) | 31 (17) | 25 (14) | 20 (11) |
| RTEH100T | RTEH010277MV | 195** (108) | 137** (76) | 68 (38) | 46 (26) | 34 (19) | 27 (15) | 23 (13) |

** Remarque: Les augmentations de température réelles des chauffe-eau sont limitées par leurs commandes thermostatiques. Les valeurs théoriques indiquées ci-dessus ne le sont qu'à des fins de comparaison.

| MODÈLE DE BASE* | | DÉBIT, GAL/MIN (L/MIN) | | | | | | |
|---|---------|---|-------------|------------|------------|------------|------------|------------|
| | | 0,2 (0,76) | 0,25 (0,95) | 0,3 (1,14) | 0,4 (1,51) | 0,5 (1,89) | 0,7 (2,65) | 0,8 (3,03) |
| Chauffe-eau électriques non thermostatiques sans réservoir | | AUGMENTATION DE LA TEMPÉRATURE, °F (°C) | | | | | | |
| | | | | | | | | |
| RTEH1812 | 61 (34) | 49 (27) | 41 (23) | 31 (17) | 25 (14) | 18 (10) | 15 (8) | 12 (7) |
| RTEH2412 | 82 (46) | 66 (37) | 55 (31) | 41 (23) | 33 (18) | 23 (13) | 20 (11) | 16 (9) |
| RTEH3012 | - - | 82 (46) | 68 (38) | 51 (28) | 41 (23) | 29 (16) | 26 (14) | 20 (11) |
| RTEH3512 | - - | - - | 80 (44) | 60 (33) | 48 (27) | 34 (19) | 30 (17) | 24 (13) |
| RTEH35 | - - | - - | 80 (44) | 60 (33) | 48 (27) | 34 (19) | 30 (17) | 24 (13) |
| RTEH48 | - - | - - | - - | 82 (46) | 66 (37) | 47 (26) | 41 (23) | 33 (18) |
| RTEH55 | - - | - - | - - | - - | 75 (42) | 54 (30) | 47 (26) | 38 (21) |
| RTEH65 | - - | - - | - - | - - | - - | 63 (35) | 55 (31) | 44 (24) |
| RTEH75 | - - | - - | - - | - - | - - | 73 (41) | 64 (36) | 51 (28) |
| RTEH95 | - - | - - | - - | - - | - - | - - | 81 (45) | 65 (36) |
| RTEH3208 | - - | 82 (46) | 68 (38) | 51 (28) | 41 (23) | 29 (16) | 26 (14) | 20 (11) |
| RTEH4208 | - - | - - | - - | 70 (39) | 56 (31) | 40 (22) | 35 (19) | 28 (16) |
| RTEH8208 | - - | - - | - - | - - | - - | 81 (45) | 71 (39) | 57 (32) |
| RTEH3277 | - - | 82 (46) | 68 (38) | 51 (28) | 41 (23) | 29 (16) | 26 (14) | 20 (11) |
| RTEH4277 | - - | - - | - - | 70 (39) | 56 (31) | 40 (22) | 35 (19) | 28 (16) |
| RTEH60 | - - | - - | - - | - - | 82 (46) | 59 (33) | 51 (28) | 41 (23) |
| RTEH80 | - - | - - | - - | - - | - - | 78 (43) | 68 (38) | 55 (31) |
| RTEH90 | - - | - - | - - | - - | - - | - - | 77 (43) | 61 (34) |
| RTEH100 | - - | - - | - - | - - | - - | - - | - - | 68 (38) |

Remarque : Les valeurs indiquées ci-dessus ne le sont qu'à des fins de comparaison.

* Les modèles spéciaux avec suffixe (c.-à-d. CA, etc.), auront des augmentations de température identiques à celles de leur modèle de base

- Débit en dessous du débit d'activation pour ce modèle

6. FONCTIONNEMENT DE L'UNITÉ THERMOSTATIC TANKLESS ELECTRIC WATER HEATERS

Point de consignes de la température d'usine et gamme maximale de températures réglables :

| Suffixe | | Point de consigne par défaut (°F) | Point de consigne minimal (°F) | Point de consigne maximal (°F) |
|----------------|--------|-----------------------------------|--------------------------------|--------------------------------|
| Modèle de base | < 4 kW | 105 | 70 | 140 |
| | > 4 kW | 120 | | |

MODIFICATION DU POINT DE CONSIGNE DE LA TEMPÉRATURE

Pour AUGMENTER la température, appuyez plusieurs fois sur le bouton « + » ou maintenez la touche « + » enfoncée pour AUGMENTER la température rapidement. Pour DIMINUER la température, appuyez plusieurs fois sur le bouton « - » ou maintenez la touche « - » enfoncée pour DIMINUER la température rapidement.

FONCTIONS AVANCÉES

L'écran affichant la température de consigne actuelle, appuyez simultanément sur les boutons « + » ET « - » pendant 3 secondes.

| Écran de renseignements | Titre | Unités | Description |
|-------------------------|-------|------------------|--|
| Débit | FLO | Gal/min ou L/min | Débit d'eau actuel dans l'unité |
| Température d'entrée | IN | °F ou °C | Température froide |
| Température de sortie | OUT | °F ou °C | Température chaude |
| Facteur de puissance | PF | % | Puissance du chauffe-eau |
| Révision de logiciel | SR | - | Pour obtenir de l'assistance technique |

Maintenez la touche « - » enfoncée pour afficher le titre de l'écran actuel.

Appuyez sur la touche « + » pour passer à l'écran suivant.

En maintenant à la fois les touches « + » et « - » enfoncées à tout moment pendant 3 secondes ramène l'affichage au point de consigne de température. Vous pouvez aussi tout simplement laissez le chauffe-eau revenir à l'écran du point de consigne de lui-même après un certain temps.

CODES D'ERREUR ET D'UNITÉS

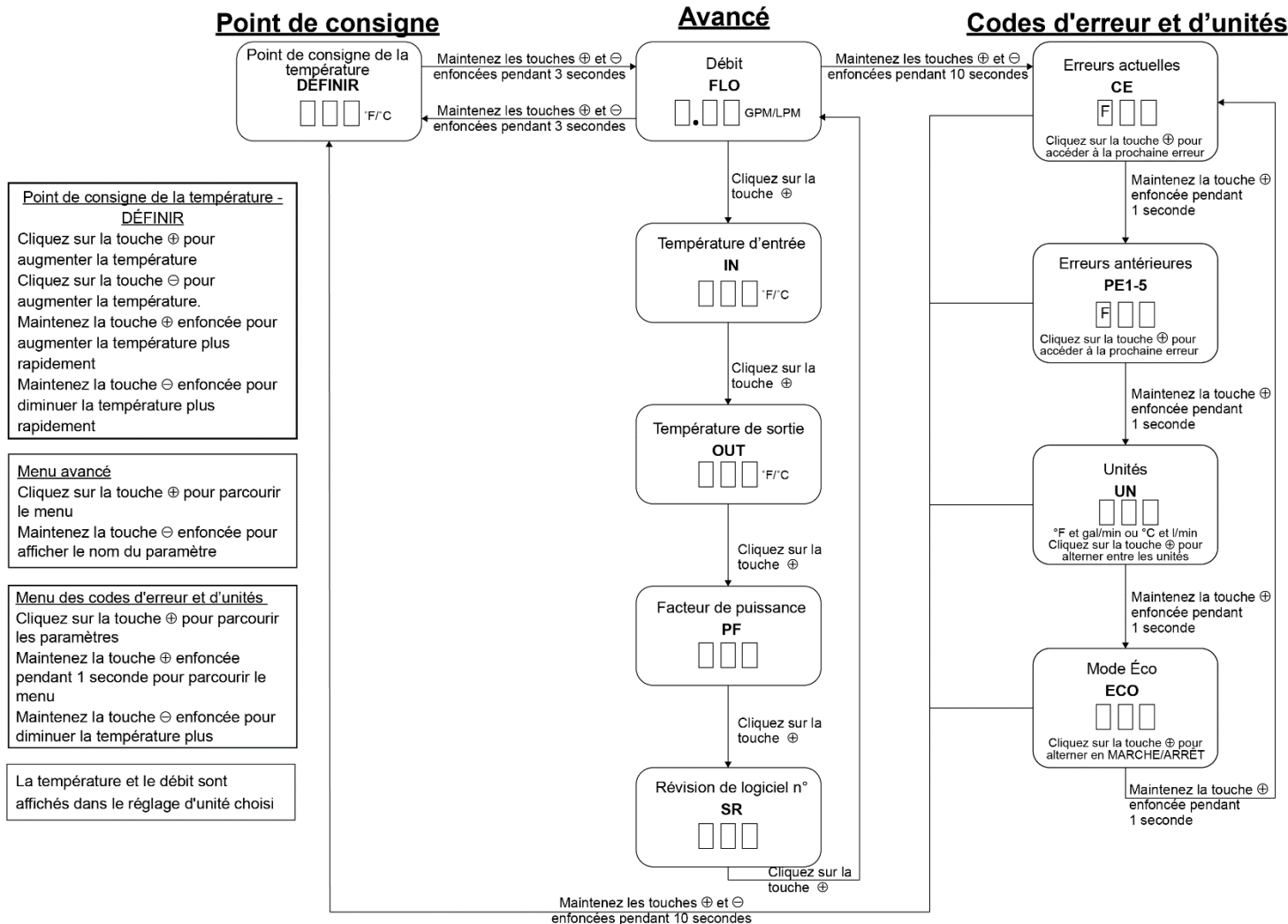
Dans le menu avancé, appuyez sur les boutons « + » et « - » et maintenez-les enfoncés pendant 10 secondes.

| Écran de renseignements | Titre | Description |
|-------------------------|-------|--|
| Erreurs actuelles | CE | Toute erreur actuellement relevée (l'écran affiche F0 si aucune erreur n'est présente) |
| Erreurs antérieures | PE | Cinq erreurs et défaillances précédentes |
| Unités | UN | Choisissez entre °F/gal/min et °C/L/min |
| Mode sonore | NS | Basculer en mode sonore |

Le fait d'appuyer sur la touche « - » à un moment ou un autre permet d'afficher le titre de l'écran (CE, PE1-5, UN, ECO).

Appuyez sur le bouton « + » pendant 1 seconde pour parcourir les écrans suivants :

Pour revenir au point de consigne, maintenez les touches « + » et « - » enfoncées pendant 10 secondes, ou laissez simplement le chauffe-eau revenir à l'écran du point de consigne. L'écran s'éteint également de lui-même après un certain temps.



Point de consigne de la température - DÉFINIR
 Cliquez sur la touche ⊕ pour augmenter la température
 Cliquez sur la touche ⊖ pour diminuer la température.
 Maintenez la touche ⊕ enfoncée pour augmenter la température plus rapidement
 Maintenez la touche ⊖ enfoncée pour diminuer la température plus rapidement

Menu avancé
 Cliquez sur la touche ⊕ pour parcourir le menu
 Maintenez la touche ⊖ enfoncée pour afficher le nom du paramètre

Menu des codes d'erreur et d'unités
 Cliquez sur la touche ⊕ pour parcourir les paramètres
 Maintenez la touche ⊕ enfoncée pendant 1 seconde pour parcourir le menu
 Maintenez la touche ⊖ enfoncée pour diminuer la température plus

La température et le débit sont affichés dans le réglage d'unité choisi

7. DÉPANNAGE

ATTENTION ASSUREZ-VOUS QUE L'UNITÉ EST HORS TENSION AVANT DE RETIRER LE CAPOT DE PROTECTION POUR UNE RAISON QUELCONQUE.

Pour résoudre l'état, veuillez consulter le tableau de votre modèle de chauffe-eau ci-dessous.

| CHAUFFE-EAU ÉLECTRIQUES THERMOSTATIQUES SANS RÉSERVOIR Y CHAUFFE-EAU ÉLECTRIQUES THERMOSTATIQUES SANS RÉSERVOIR AVEC VANNE DE MÉLANGE INTÉGRÉE | | | | |
|--|------------------|--|---|---|
| Code | Nom | Causes possibles | Réponse du chauffe-eau | Solutions possibles |
| F23 | Aucun chauffage | - défaillance d'un élément - déclenchement et dysfonctionnement de l'ECO - échec d'ouverture des triacs - mauvais fonctionnement du relais/contacteur - défaillance du panneau de commande - entrée d'eau (alimentation) hors spécification | Le chauffage désactivé après 30 secondes sans chaleur continue. | - mesure de la résistance des éléments alors que l'appareil est complètement éteint |
| F24 | Chauffage faible | - sous-tension - échec d'ouverture des triacs - défaillance du panneau de commande - défaillance des thermistances d'entrée/sortie | Chauffage activé, performances réduites (température de sortie plus basse). | - vérifier l'alimentation (tension) pendant le fonctionnement du chauffe-eau |

| | | | | |
|------------|--|---|---|--|
| F33 | Chaleur résiduelle | - température de l'eau interne élevée sans débit - échec de fermeture des deux triacs | Chauffage désactivé jusqu'à ce que la température de sortie passe sous la température de réactivation (consulter le tableau des paramètres par défaut). | - faire couler de l'eau à travers l'unité |
| F34 | Sur-tension | - la tension d'entrée est trop élevée par rapport aux spécifications de chauffage indiquées | Chauffage activé, performances réduites (température de sortie plus élevée). | - faire vérifier la tension d'entrée par du personnel certifié - fournir une tension dans la plage précisée |
| F36 | Sous-tension | - la tension d'entrée est trop basse par rapport aux spécifications de chauffage indiquées | Chauffage activé, performances réduites (température de sortie plus basse). | - faire vérifier la tension d'entrée par du personnel certifié - fournir une tension dans la plage précisée |
| F38 | Débit élevé | - le débit est trop élevé pour chauffer l'eau à la température de consigne | Chauffage activé, l'unité fonctionne comme prévu (température de sortie plus basse possible). | - réduire le débit (limiteur de débit de sortie, aérateur de robinet) |
| F47 | Défaillance de la thermistance d'entrée | - thermistance d'entrée interrompue ou déconnectée | Chauffage activé en fonction du réglage de la température d'entrée par défaut (consulter le tableau des paramètres par défaut; température de sortie supérieure/inférieure possible). | - inspecter les connexions ou le câblage de la thermistance d'entrée |
| F48 | Défaillance de la thermistance de sortie | - thermistance de sortie interrompue ou déconnectée | Chauffage activé, étalonnage automatique désactivé. | - inspecter les connexions/câblage de la thermistance de sortie |
| F64 | Avertissement de gel | - la température d'entrée est trop basse (inférieure à 35 °F) | Chauffage désactivé pendant la présence de la condition | - augmenter la température de l'eau d'entrée à plus de 35 °F |

PARAMÈTRES PAR DÉFAUT DES UNITÉS CHAUFFE-EAU ÉLECTRIQUES THERMOSTATIQUES SANS RÉSERVOIR ET CHAUFFE-EAU ÉLECTRIQUES THERMOSTATIQUES SANS RÉSERVOIR AVEC VANNE DE MÉLANGE INTÉGRÉE

| Code d'état | Suffixe de modèle | Valeurs par défaut | |
|-------------|-------------------|--------------------|----------------|
| F33 | T | Déclanchement | 77°C (170 °F) |
| | | Réactivation | 60 °C (140 °F) |

CHAUFFE-EAU ÉLECTRIQUES NON THERMOSTATIQUES SANS RÉSERVOIR

| Motifs de DEL | Statut/Problème | Causes possibles | Réponse du chauffe-eau | Solutions possibles |
|--|--|--|---|---|
| Lumière solide | Chauffage | S.O. | S.O. | S.O. |
| Un clignotement toutes les quatre secondes | En veille | S.O. | - l'unité attend le débit | S.O. |
| Deux clignotements une fois, trois secondes de pause | Chauffage faible | - température de sortie inférieure à 32 °C/90 °F pendant 5 secondes de débit - défaillance d'un élément - déclenchement et dysfonctionnement de l'ECO - mauvais fonctionnement du relais/contacteur - défaillance du panneau de commande - entrée d'eau (alimentation) hors spécification | - l'unité continue de fonctionner, la DEL clignote selon un motif d'avertissement | - réduire le débit dans l'unité |
| Deux clignotements deux fois, trois secondes de pause | Défaillance de la thermistance de sortie | - thermistance de sortie interrompue ou déconnectée | - l'unité continue de fonctionner, la DEL clignote selon un motif d'avertissement | - inspecter les connexions/câblage de la thermistance de sortie |

| | | | | |
|--|------------------------------------|--|--|--|
| Deux clignotements trois fois, trois secondes de pause. | Avertissement de surchauffe | - la température de sortie dépasse 38 °C (110 °F) | - l'unité continue de fonctionner, la DEL clignote selon un motif d'avertissement | - augmenter le débit dans l'unité. Si cette température est souhaitée, aucune action n'est requise |
| Trois clignotements une fois, trois secondes de pause. | Protection contre la surchauffe | - la température de sortie dépasse 65 °C (150 °F) | - l'appareil interrompt le chauffage jusqu'à ce que la température de sortie chute en dessous du minimum préétabli | - augmenter le débit à travers l'unité pour diminuer l'augmentation globale de température |
| Trois clignotements deux fois, trois secondes de pause. | Avertissement de gel | - la température d'entrée est trop basse (inférieure à 2 °C (35 °F) | - chauffage désactivé | - augmenter la température de l'eau d'entrée pour répondre aux spécifications du produit |

8. ENTRETIEN PÉRIODIQUE

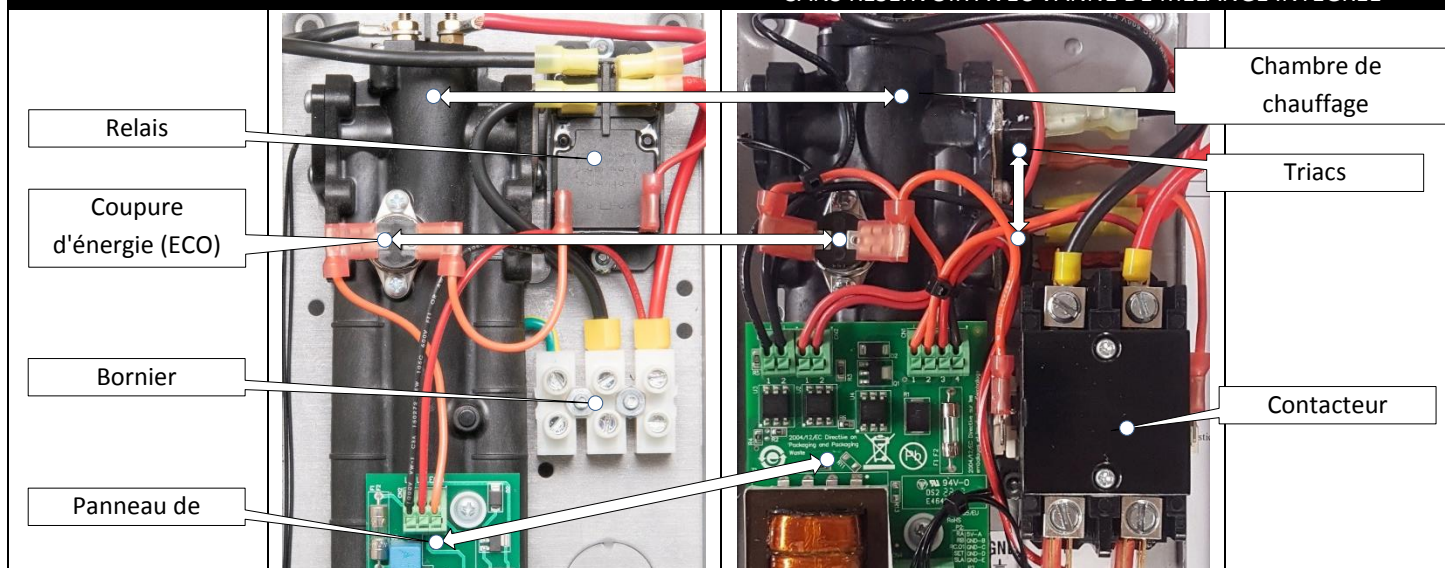
Le chauffe-eau est conçu pour de nombreuses années d'utilisation sans souci. Afin de maintenir un débit d'eau constant, il peut être nécessaire de nettoyer périodiquement l'aérateur du robinet ou la crépine filtrante située dans le raccord d'entrée en laiton du chauffe-eau.

Cartouche d'élément
s'installe à l'intérieur de la chambre de
chauffage de tous les chauffe-eau



CHAUFFE-EAU ÉLECTRIQUES NON THERMOSTATIQUES SANS
RÉSERVOIR

CHAUFFE-EAU ÉLECTRIQUES THERMOSTATIQUES SANS
RÉSERVOIR ET CHAUFFE-EAU ÉLECTRIQUES THERMOSTATIQUES
SANS RÉSERVOIR AVEC VANNE DE MÉLANGE INTÉGRÉE



9. NUMÉROS DES PIÈCES DE RECHANGE

| RACCORDS DE COMPRESSION | |
|-------------------------|-------|
| ÉCROU 1,0 CM (3/8 PO) | EX68B |
| DOUILLE 1,0 CM (3/8 PO) | EX68C |

| Coupure d'énergie (ECO) | |
|--|----------------|
| Chauffe-eau thermostatiques électriques sans réservoir (par suffixe) | |
| Base | EX278A-KIT |
| Chauffe-eau thermostatiques électriques sans réservoir avec mitigeur intégré | |
| Base | EX278A-KIT |
| Chauffe-eau électriques non thermostatiques sans réservoir | |
| Base | EX278A-KIT |
| CA | EX08100-03-KIT |

| AÉRATEURS | |
|--------------|----------------|
| 0,35 gal/min | EX0061-0.3-AER |
| 0,5 gal/min | EX0061-0.5-AER |

| RACCORDS DE PLOMBERIE | |
|---|----------|
| MÂLE 13/16po-27 X MÂLE 55/64 po-27 | EX61-339 |
| FEMELLE 3/4 po-27 X MÂLE 55/64 po-27 | EX61-341 |
| FEMELLE 13/16 po-24 X MÂLE 55/64 po-27 | EX61-349 |
| MÂLE 15/16 po-27 X MÂLE 55/64 po-27 | EX61-336 |
| MÂLE 11/16po-27 X MÂLE 55/64 po-27 | EX61-344 |
| MÂLE M24X1/FEMELLE M22X1 X MÂLE 55/64 po-27 | EX61-387 |

10. PIÈCES DE RECHANGE

Chauffe-eau thermostatiques électriques sans réservoir et
Chauffe-eau thermostatiques électriques sans réservoir
avec mitigeur intégré

| NUMÉRO DE MODÈLE* | | | | |
|---|--|------------------------|------------------------|----------|
| CHAUFFE-EAU THERMOSTATIQUES ÉLECTRIQUES SANS RÉSERVOIR | CHAUFFE-EAU THERMOSTATIQUES ÉLECTRIQUES SANS RÉSERVOIR AVEC MITIGEUR INTÉGRÉ | CARTOUCHE D'ÉLÉMENT | PANNEAU DE COMMANDE | RELAIS |
| RTEH1812T | - | EX800 PRT | EX384-120 | EX259B |
| RTEH2412T | - | EX610 | EX384-120 | EX259B |
| RTEH3012T | - | EX480 | EX384-120 | EX259B |
| RTEH3512T | RTEH004120MV | EX410 | EX384-120 | EX259B |
| RTEH35T | - | EX1650 | EX384-240 | EX255B |
| RTEH48T | RTEH005240MV | EX1200 | EX384-240 | EX255B |
| RTEH55T | - | EX1050 | EX384-240 | EX255B |
| RTEH65T | RTEH007240MV | EX890 | EX384-240 | EX255B |
| RTEH75T | - | EX770 | EX384-240 | EX255B |
| RTEH95T | RTEH010240MV | EX630 | EX384-240 | EX255B |
| RTEH012240T | RTEH012240MV | EX500 PRT | EX384-240 | EX1050-1 |
| RTEH3208T | - | EX1440 | EX384-240 | EX255B |
| RTEH4208T | - | EX1050 | EX384-240 | EX255B |
| RTEH8202T | - | EX520 | EX384-240 | EX255B |
| RTEH3277T | - | EX260 | EX384-277 | EX253B |
| RTEH4277T | RTEH004277MV | EX1920 | EX384-277 | EX253B |
| RTEH60T | - | EX1280 | EX384-277 | EX253B |
| RTEH80T | RTEH008277MV | EX960 | EX384-277 | EX253B |
| RTEH90T | - | EX850 | EX384-277 | EX253B |
| RTEH100T | RTEH010277MV | EX760 | EX384-277 | EX253B |

Chauffe-eau électriques sans réservoir non
thermostatiques

| NUMÉRO DE MODÈLE* | CARTOUCHE D'ÉLÉMENT | PANNEAU DE COMMANDE | RELAIS |
|----------------------|------------------------|------------------------|--------|
| RTEH1812 | EX800 PRT | EX383 | EX250B |
| RTEH2412 | EX610 | EX383 | EX250B |
| RTEH3012 | EX480 | EX383 | EX250B |
| RTEH3512 | EX410 | EX383 | EX250B |
| RTEH35 | EX1650 | EX383 | EX254 |
| RTEH48 | EX1200 | EX383 | EX254 |
| RTEH55 | EX1050 | EX383 | EX254 |
| RTEH65 | EX890 | EX383 | EX254 |
| RTEH75 | EX770 | EX383 | EX255B |
| RTEH95 | EX630 | EX383 | EX255B |
| RTEH3208 | EX1440 | EX383 | EX254B |
| RTEH4208 | EX1050 | EX383 | EX254B |
| RTEH8208 | EX520 | EX383 | EX255B |
| RTEH3277 | EX260 | EX383 | EX251B |
| RTEH4277 | EX1870 | EX383 | EX251B |
| RTEH60 | EX1280 | EX383 | EX251B |
| RTEH80 | EX960 | EX383 | EX251B |
| RTEH90 | EX850 | EX383 | EX253B |
| RTEH100 | EX760 | EX383 | EX253B |

Si vous avez besoin d'aide de la part de notre service technique, assurez-vous d'identifier ce chauffe-eau en ayant

le numéro de modèle : _____

et le numéro de série : _____

Service après-vente national du fabricant | 400 Captain Neville Dr. Waterbury, CT 06705
Eemax^{MD} 1 800 543-6163 | EcoSmart^{MD} 1 877 474-6473 | Rheem^{MD} ou Richmond^{MD} 1 800 374-8806