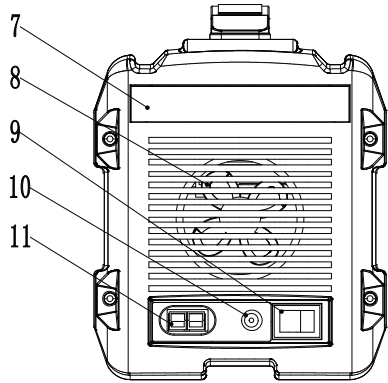
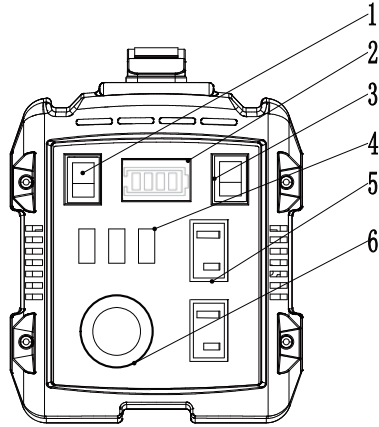


PPS300L - Parts List and Specifications



1	DC Power Switch	7	LED Light
2	Battery Capacity Indicator	8	Cooling Fan
3	AC Power Switch	9	LED Light Switch
4	USB Output x 3	10	AC / DC Charging Port
5	120V AC Receptacle x 2	11	DC Solar Charging Port
6	12V DC Car Port		

Model No.	PPS300L
Rated Voltage and Frequency	120V/ 60HZ
Running VAC Amperage	2.1A
Rated Output	250W
Max Output	300W
THD	Low THD
AC Load	100%
Phase	Single
Cycle	>300 Times
Environment Temp.	4° F – 104° F (-20° C- 40° C)
Full Load Run Time	1H
½ Load Run time	2H
DC Volts	9 – 12.6V 5A
Battery Details	Lithium Battery 11.1 V/ 25 AH
Charger	DC 15V- 4A UL Listed Adapter
Charge Time	AC 7-8 Hour / DC - 10-12 Hour/ Solar- Varies on panel & Sunlight
DC Charging	Yes (Charger Included)
Solar Charging	Yes (15-18V/4A Max)
USB Socket	2 – 5V /2A USB / 1-5V / 1A USB
Receptacles	2- NEMA 120 VAC 2.5A / 1 12V DC 8.3A Adapter Plug
Overload	Overload safety protection integrated into inverter technology, turn Power switch Off and then back On to reset Power Pack
Case Material	Aluminum
Certification	ETL Certified
Accessories Included	Manual, Quick start Guide, DC Charging Cables, AC Charger
Net Weight/ Gross Weight	3.6 kg / 8.4 lbs / 4.5 kg / 13.2lbs
Product Dimension	11.7 X 5 X 5.9in. / 296 X 128 X 149.1 mm

