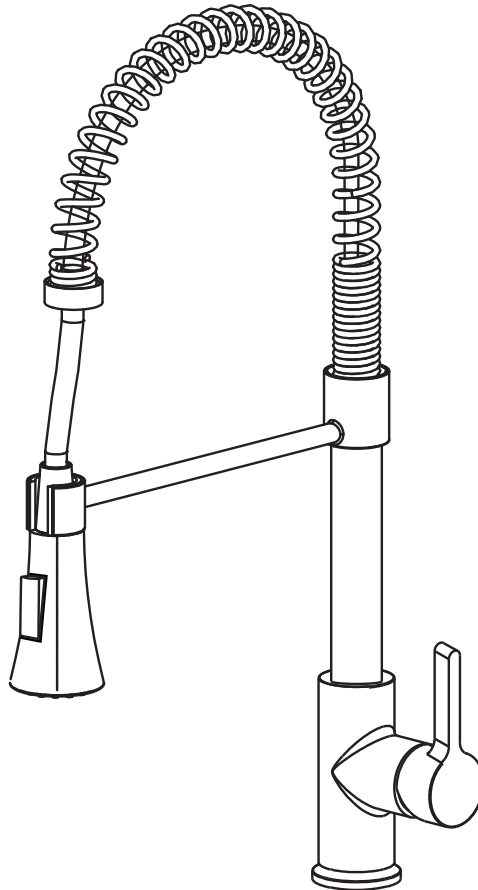


SPRING NECK PULL-OUT KITCHEN FAUCET

Questions, problems, missing parts? Before returning to the store,
call Glacier Bay Customer Service
8 a.m. – 7 p.m., EST, Monday-Friday, 9 a.m. – 6 p.m., EST, Saturday

1-855-HD-GLACIER

HOMEDEPOT.COM/GLACIERBAY

THANK YOU

We appreciate the trust and confidence you have placed in Glacier Bay through the purchase of this faucet. We strive to continually create quality products designed to enhance your home. Visit us online to see our full line of products available for your home improvement needs. Thank you for choosing Glacier Bay!

Table of Contents

Important Information	2	Installation	4
Warranty	2	Care and Maintenance	6
Pre-Installation	2	Troubleshooting	7
Planning Installation	2		
Tools and Hardware Required	2		
Package Contents	3		

Important Information

- Observe all local plumbing and building codes.
- Cover the sink drain to avoid losing any parts.
- Review all the warnings, care and maintenance information.

Warranty

LIMITED LIFETIME WARRANTY

Glacier Bay products are manufactured with superior quality standards and workmanship and backed by our limited lifetime warranty. Glacier Bay products are warranted to the original consumer purchaser to be free of defects in materials or workmanship. We will replace FREE OF CHARGE any product or parts that prove defective. Simply, return the product / part to any of the Home Depot retail locations or call 1-855-HD-GLACIER (1-855-434-5224) to receive the replacement item. Proof of purchase (original sales receipt) from the original consumer purchaser must be made available for all Glacier Bay warranty claims.

This warranty excludes incidental/inconsequential damages and failures due to misuse, abuse or normal wear and tear. This warranty excludes all industrial, commercial & business usage, whose purchasers are hereby, extended a five year limited warranty from the date of purchase, with all other terms of this warranty applying except the duration of warranty.

Some states and provinces do not allow the exclusion or incidental of consequential damages, so the above limitations may not apply to you. This warranty gives you specific legal rights and you may also have other rights that vary from state to state and province to province. Please see a store or contact 1-855-HD-GLACIER for more details.

Pre-installation

PLANNING INSTALLATION

Before beginning the installation of this product, ensure all parts are present. Compare parts with the Package Contents. If any part is missing or damaged, do not attempt to install the product. Contact Customer Service for replacement parts.

TOOLS AND HARDWARE REQUIRED



Adjustable
wrench



Safety
goggles



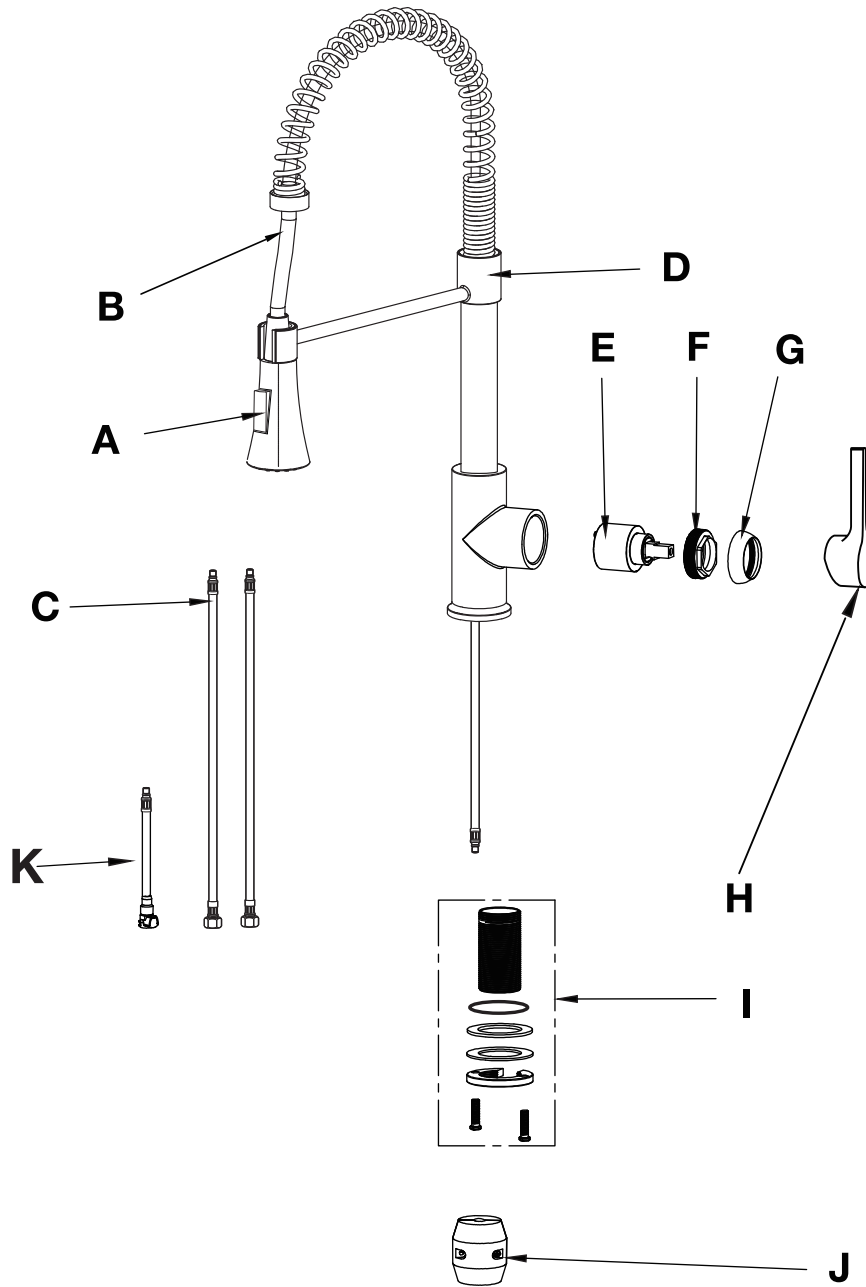
Phillips
screwdriver



Silicone
sealant

Pre-installation (continued)

Package Contents



Part	Description	Quantity
A	Spray Head	1
B	Spray Hose	1
C	Supply Line	2
D	Connect Bar	1
E	Cartridge	1

Part	Description	Quantity
F	Screw Nut	1
G	Decorative Cap	1
H	Handle Assembly	1
I	Mounting Shank	1
J	Weight	1
K	Quick Connector	1

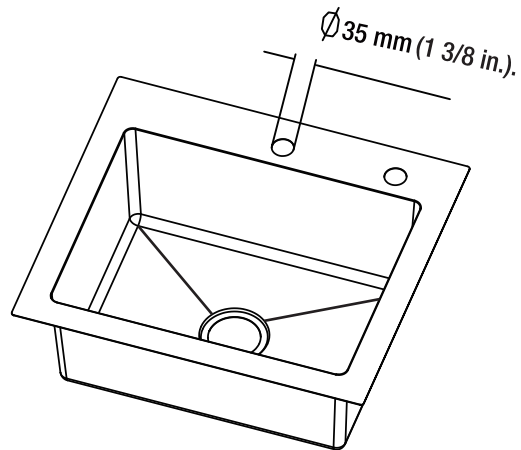
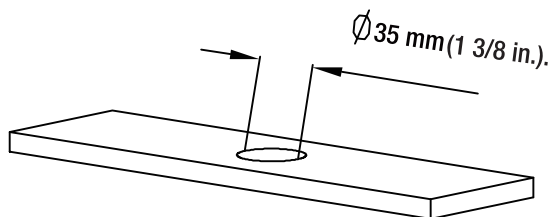
Installation (continued)

1 Preparing for installation



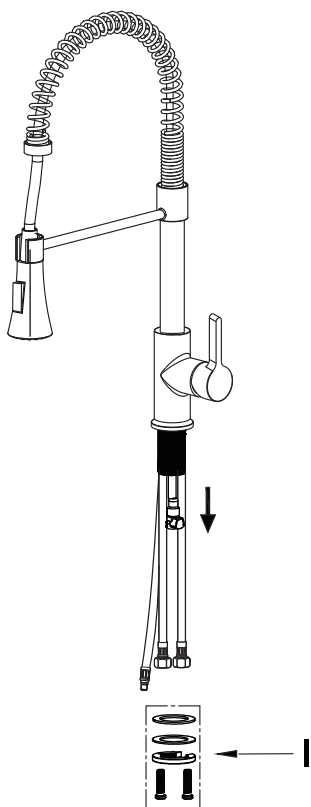
CAUTION: Always shut off the water supply before removing or replacing any part of a faucet. Open the handle to relieve water pressure and ensure that the water is completely shut off.

- Pre-drilled hole size: 35 mm (1 3/8 in.).
- Install on countertop or kitchen sink.



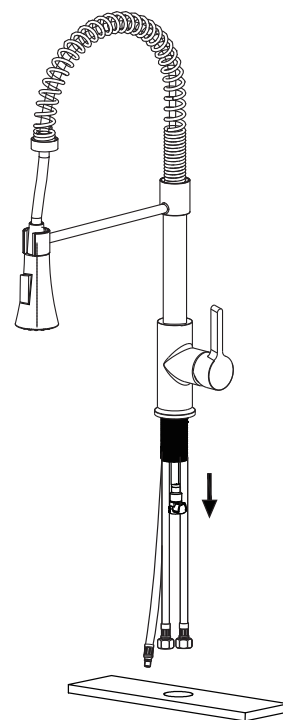
2 Removing mounting hardware

- Remove the mounting shank (I) (mounting nut, rubber and metal washer) from the mounting pipe.



3 Assembling the faucet

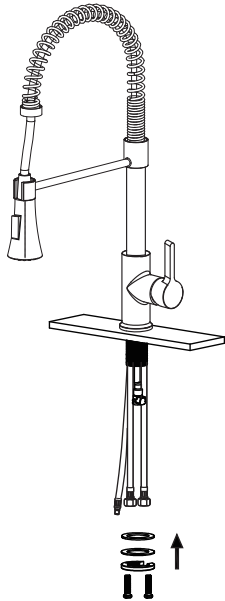
- Insert the faucet body into the hole in the countertop or sink.



Installation (continued)

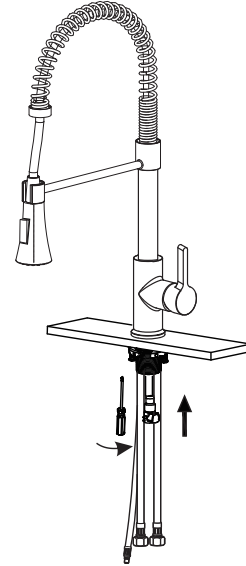
4 Installing mounting hardware

- Install mounting hardware from underneath the countertop to the faucet.



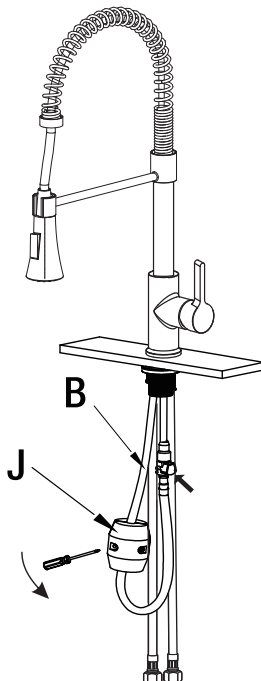
5 Securing mounting hardware

- Tighten mounting nut and mounting screws with a Phillips screwdriver until snug. Do not overtighten.



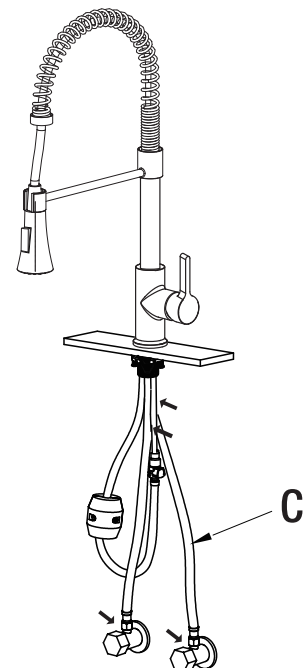
6 Attaching the quick connector to outlet hose and install the weight

- Push the quick connector of spray hose (B) firmly upward and attach it to the receiving block of outlet hose. Push until a “Click” is heard.
- Connect the spray hose and install the weight (J) on the lowest vertical point on the spray hose.



7 Connecting the supply lines

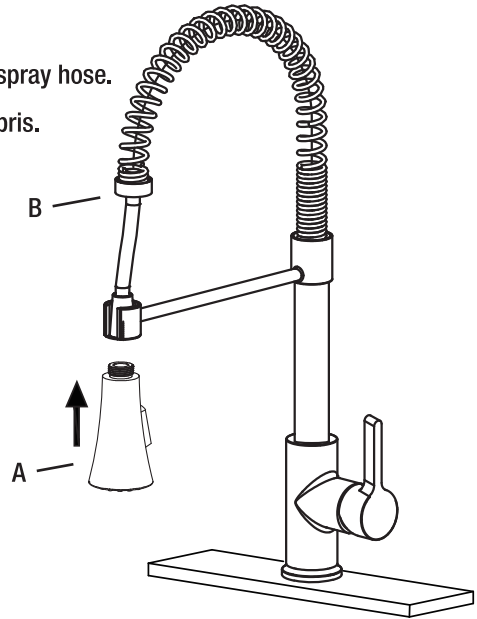
- Connect supply lines (C) to hot and cold copper lines. Connect supply lines (C) to angle stops.
- Tighten both ends of supply lines (C) with a wrench until snug. Turn on hot and cold angle stops and check for leaks.



Installation (continued)

8 Flushing the spray hose

- Remove the spray head (A) from the spray hose (B). Hold the tip of the spray hose.
- Turn the faucet on and let the water run for 60 seconds to flush any debris.



Care and Maintenance

- To clean, wipe down with a damp cloth and dry with a towel
- Do not use abrasive cleaners, steel wool, or harsh chemicals when cleaning this faucet, or the warranty will be voided.

Troubleshooting



NOTE: Refer to the services parts on the website for a detailed drawing showing the location of the parts listed below.

Problem	Possible Cause	Measure
There are leaks underneath the handle.	The screw nut has come loose and the o-ring on the cartridge is dirty or damaged.	<input type="checkbox"/> Tighten the screw nut. Clean or replace the cartridge or o-ring.
The aerator leaks or has an inconsistent water flow pattern.	The aerator is dirty or misfitted. The cartridge may be clogged.	<input type="checkbox"/> Remove the aerator and check for debris in the aerator screens. <input type="checkbox"/> Remove the cartridge and check for debris. <input type="checkbox"/> Ensure the aerator is properly installed.
There are leaks from the hose underneath the deck.	The supply lines and outlet hose connection may be loose.	<input type="checkbox"/> Tighten the connection of the hoses.
The hose does not retract.	The weight is not installed in the appropriate position.	<input type="checkbox"/> Reinstall or readjust the weight.
The water pressure is low.	The connector underneath the deck is clogged with debris. The aerator is clogged.	<input type="checkbox"/> Turn off the supply lines and disconnect the connector / aerator. <input type="checkbox"/> Unscrew the connector / aerator and clean under running water. <input type="checkbox"/> Screw the connector / aerator back. <input type="checkbox"/> Test water flow. If water pressure is still low then replace the connector / aerator.
There is no hot or cold water.	The supply lines was accidentally kinked during installation and is limiting the water flow through.	<input type="checkbox"/> Reinstall the supply lines.



Questions, problems, missing parts? Before returning to the store,
call Glacier Bay Customer Service
8 a.m. – 7 p.m., EST, Monday-Friday, 9 a.m. – 6 p.m., EST, Saturday

1-855-HD-GLACIER

[HOMEDEPOT.COM/GLACIERBAY](https://www.homedepot.com/glacierbay)

Retain this manual for future use.