

ASSEMBLY INSTRUCTIONS

LOFT BED WITH SLIDE + BOOKSHELF

Thank you for purchasing this quality product. Be sure to check all packing materials carefully for small parts which may have come loose inside the carton during shipment. Separate, identify and count all parts and hardware. Compare with the parts list to be sure all parts are present.

“DO NOT TIGHTEN SCREWS UNTIL COMPLETELY ASSEMBLED”

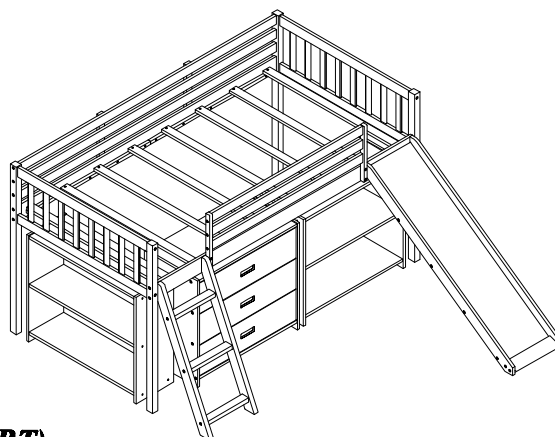
SIZE OF MATTRESS AND FOUNDATION (SUPPORT)

This bed is designed to use a twin mattress (37½”-38½”x74-75”) and bunkie board (37½”x74”). The total thickness must not exceed 8” inches. Do not use mattress without the proper bunkie board of safe foundation.

Note: There must be at least 5” inches from top surface of mattress to top edge of guardrails.

REPLACEMENT PARTS.

Replacement parts, including additional guardrails, may be obtained from place of purchase or original distributor.



SAFETY WARNINGS!

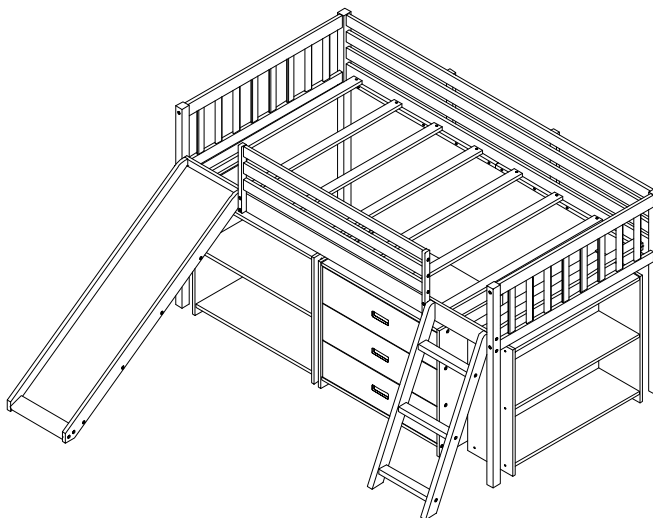
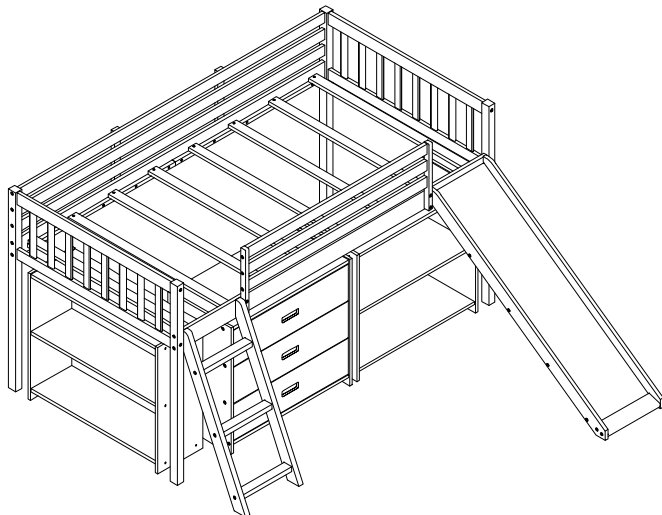
- 1- Follow the information on the warning label appearing on the upper bunk end structure and on the carton. Do not remove warning label from bed.
- 2- Always use the recommended size mattress or mattress support, or both, to help prevent the likelihood of entrapment or falls.
- 3- Surface of mattress must be at least 5 inches below the upper edge of guardrails.
- 4- Do not allow children under 6 years of age to use the upper bunk.
- 5- Prohibit more than one person on upper bunk.
- 6- Periodically check and ensure that the guardrail, ladder and other components are in their proper position free from damage, and that all connectors are tight.
- 7- Do not allow horseplay on or under the bed and prohibit jumping on the bed.
- 8- Always use the ladder for entering and leaving the upper bunk.
- 9- Do not use substitute parts. Contact distributor or dealer for replacement parts.
- 10- Use of a night light may provide added safety precaution for a child using the upper bunk.
- 11- If the bunk bed will be placed next to a wall, the guardrail that runs the full length of the bed should be placed against the wall to prevent entrapment between the bed and the wall.
- 12- Always use guardrails on both long sides of the upper bunk.
- 13- The use of water or sleep flotation mattresses is prohibited.
- 14- Keep these instructions for future reference.
- 15- Strangulation Hazard - Never attach or hang items to any part of the bunk bed that are not designed for use with the bed: for example, but not limited to, hooks, belts, and jump ropes, etc.



IMPORTANT: PLEASE READ INSTRUCTIONS BEFORE STARTING THE ASSEMBLY

ASSEMBLY INSTRUCTIONS

LOFT BED WITH SLIDE + BOOKSHELF

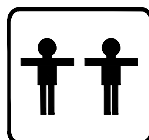
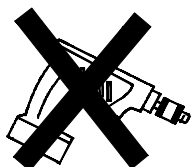


Thank you for purchasing this quality product. Be sure to check all packing material carefully for small parts which may have come loose inside the carton during shipment. Separate, identify and count all parts and hardware.

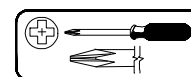
Compare with the parts list to be sure all parts are present.

"DO NOT TIGHTEN SCREWS UNTIL COMPLETELY ASSEMBLED"

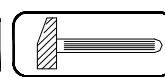
- Use of power tool to assemble this product will invalidate any claim and damage this product making unsafe !!!
- Please assemble on a clean soft surface to avoid damage.



Tools Required



(Not included)

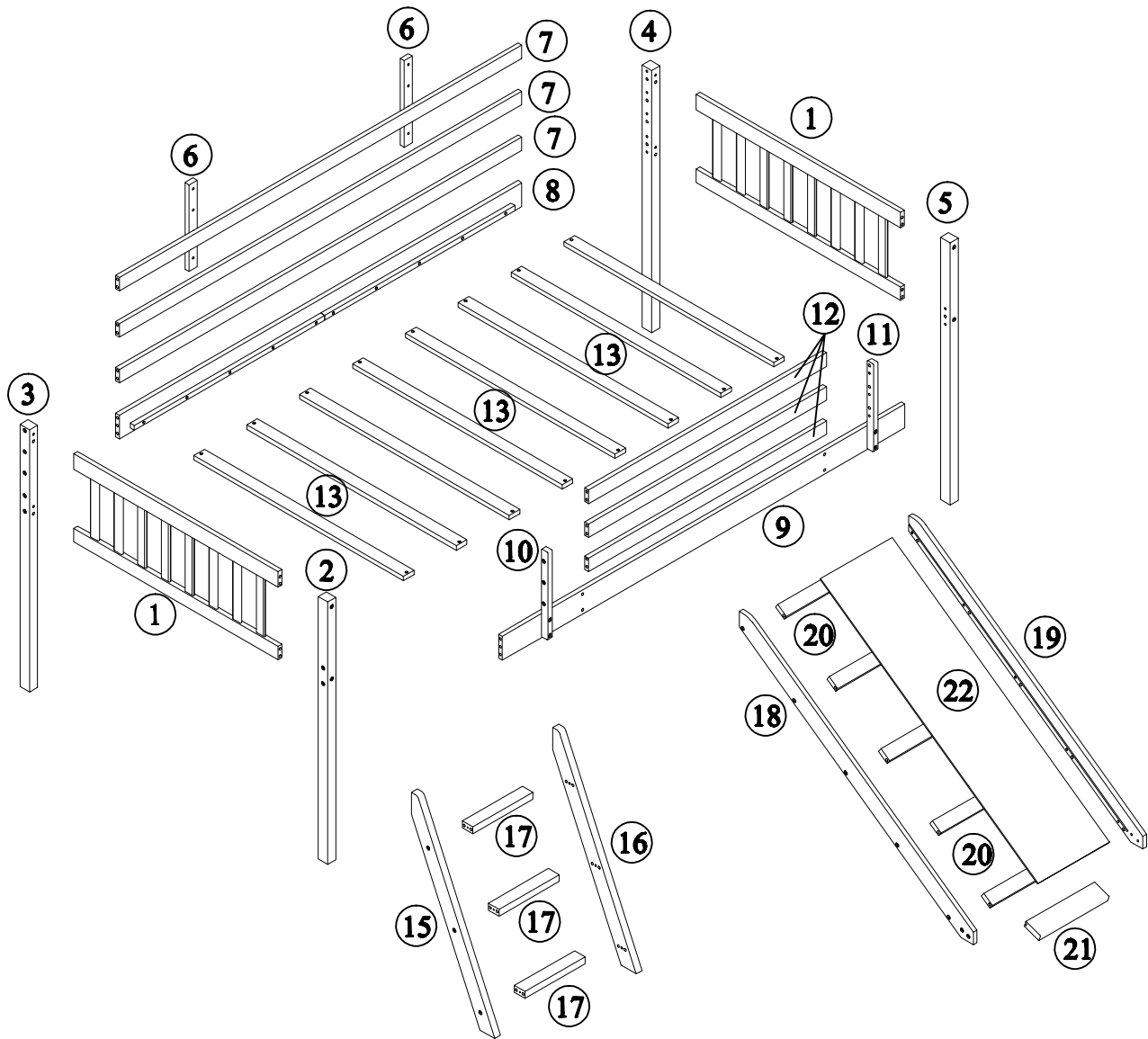


(Not included)

IMPORTANT:

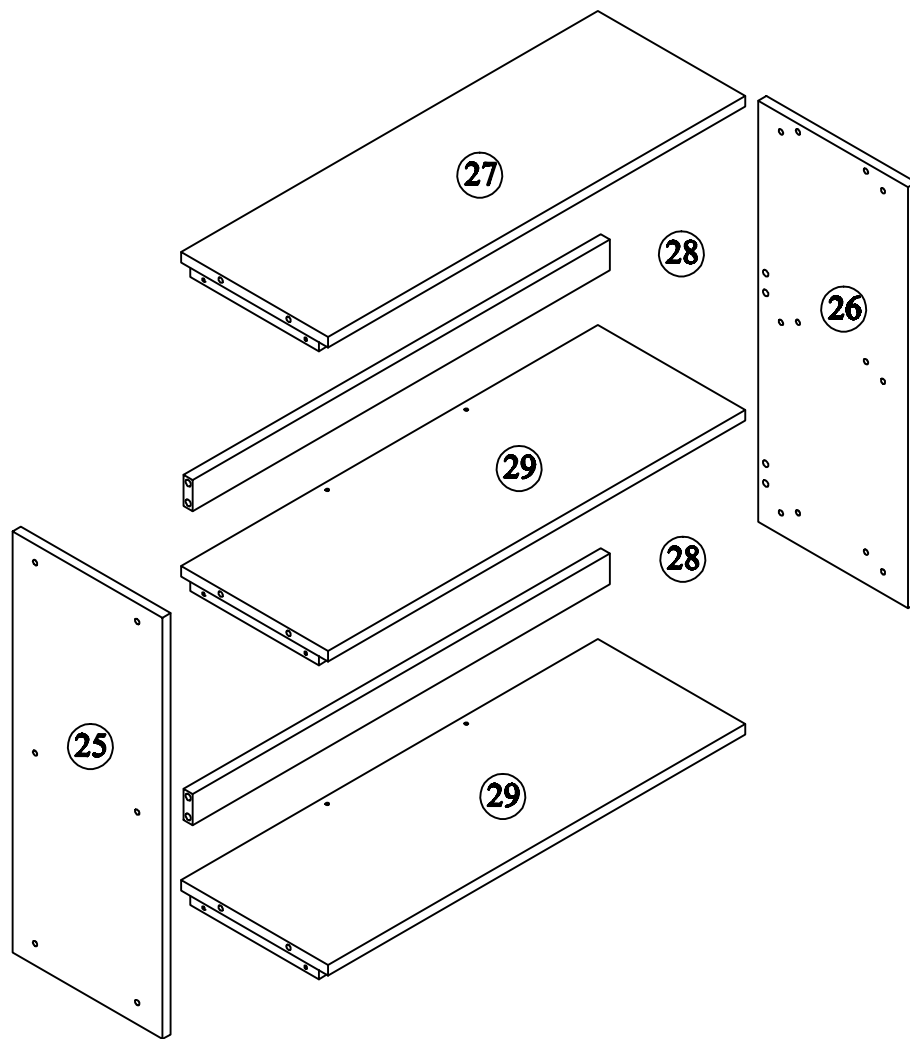
PLEASE READ INSTRUCTION BEFORE STARTING THE ASSEMBLY

Detail View - LOFT BED WITH SLIDE

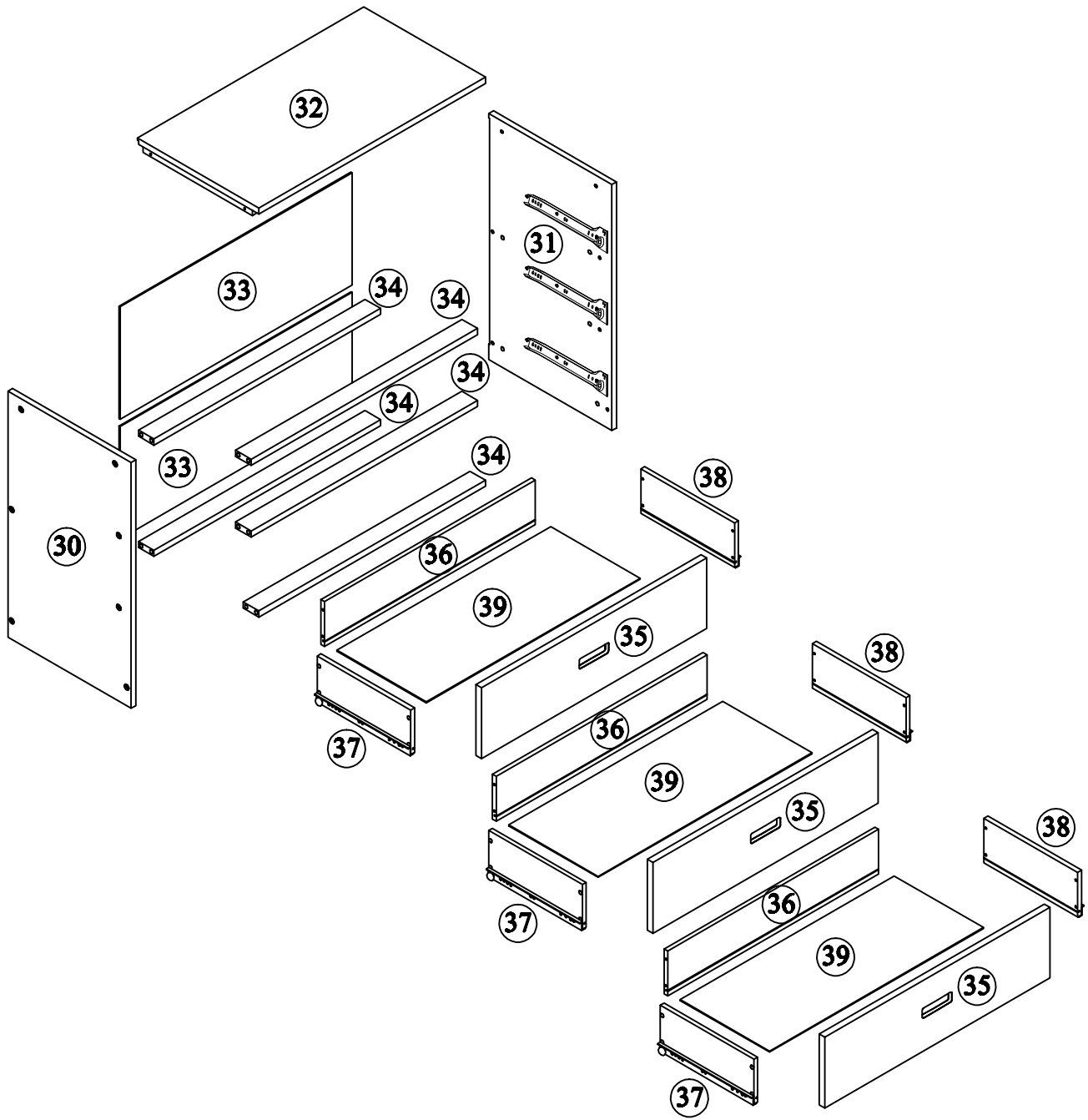


Identifying the Hardware - Identify the hardware using the illustrations below.

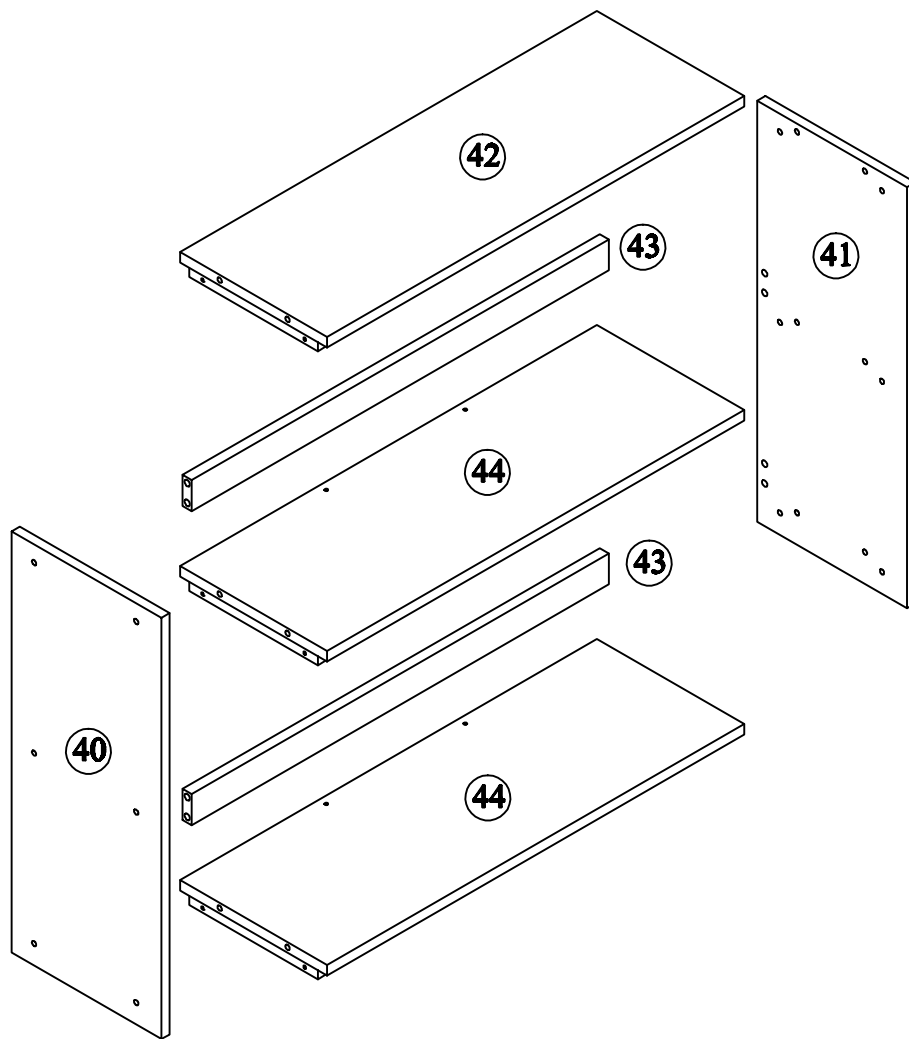
Detail View - BOOKSHELF



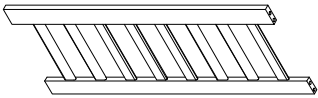
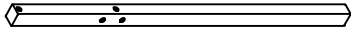
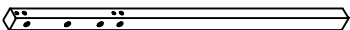
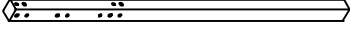
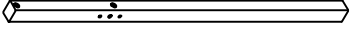
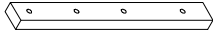
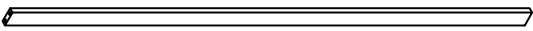
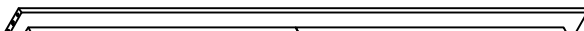
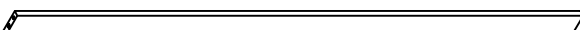
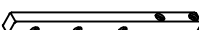
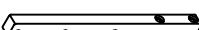
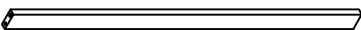
Detail View - BOOKSHELF



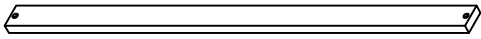
Detail View - BOOKSHELF



Part List—WF281583

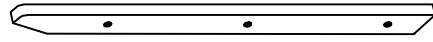
<p>1</p>  <p>Headboard - 2pc</p>	<p>2</p>  <p>Left front bed column- 1pc</p>
<p>3</p>  <p>Left rear bed column - 1pc</p>	<p>4</p>  <p>Right rear bed column - 1pc</p>
<p>5</p>  <p>Right front bed column - 1pc</p>	<p>6</p>  <p>Support timber - 2pc</p>
<p>7</p>  <p>Rear guard rail - 3pc</p>	<p>8</p>  <p>Bed side plate - 1pc</p>
<p>9</p>  <p>Bed side plate - 1pc</p>	<p>10</p>  <p>Bed handrail - 1pc</p>
<p>11</p>  <p>Bed handrail - 1pc</p>	<p>12</p>  <p>Front guard rail - 3pc</p>

13



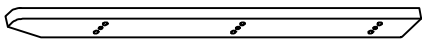
Bed board - 8pc

15



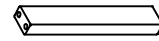
Bed ladder column - 1pc

16



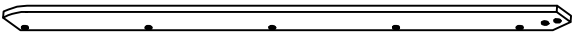
Bed ladder column - 1pc

17



Step of bed ladder -3pc

18



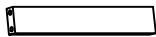
Slide column - 1pc

19



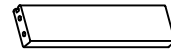
Slide column - 1pc

20



Slide support wood - 5pc

21



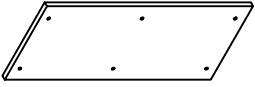
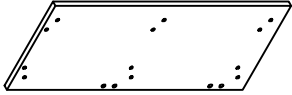
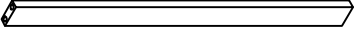
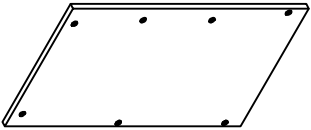
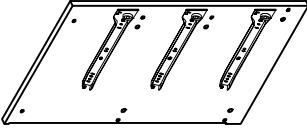

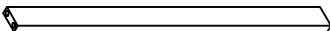

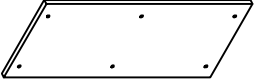


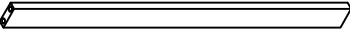

Slide baffle - 1pc

22





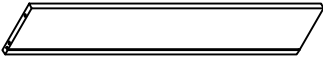
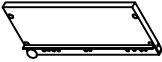
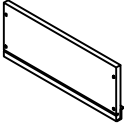


Skate - 1pc

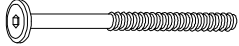







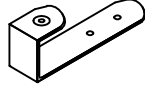


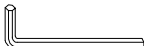
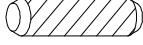
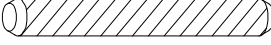
Part List—WF281584

<p>25</p>  <p>Left side panel - 1pc</p>	<p>26</p>  <p>Right side panel - 1pc</p>
<p>28</p>  <p>Horizontal board - 2pc</p>	<p>30</p>  <p>Left side panel - 1pc</p>
<p>31</p>  <p>Right side panel - 1pc</p>	<p>33</p>  <p>Back panel - 2pc</p>
<p>34</p>  <p>Horizontal board - 5pc</p>	<p>39</p>  <p>Drawer bottom plate - 3pc</p>
<p>40</p>  <p>Left side panel - 1pc</p>	<p>41</p>  <p>Right side panel - 1pc</p>
<p>42</p>  <p>panel - 1pc</p>	<p>43</p>  <p>Horizontal board - 2pc</p>
<p>44</p>  <p>Bottom plate of cabinet - 2pc</p>	

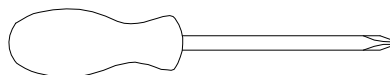
Part List—WF281585

27  panel - 1pc	29  Bottom plate of cabinet - 2pc
32  panel - 1pc	35  Drawer panel - 3pc
36  Drawer back plate - 3pc	37  Drawer left side panel - 3pc
38  Drawer right side board - 3pc	


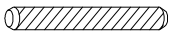
Hardware List—WF281585

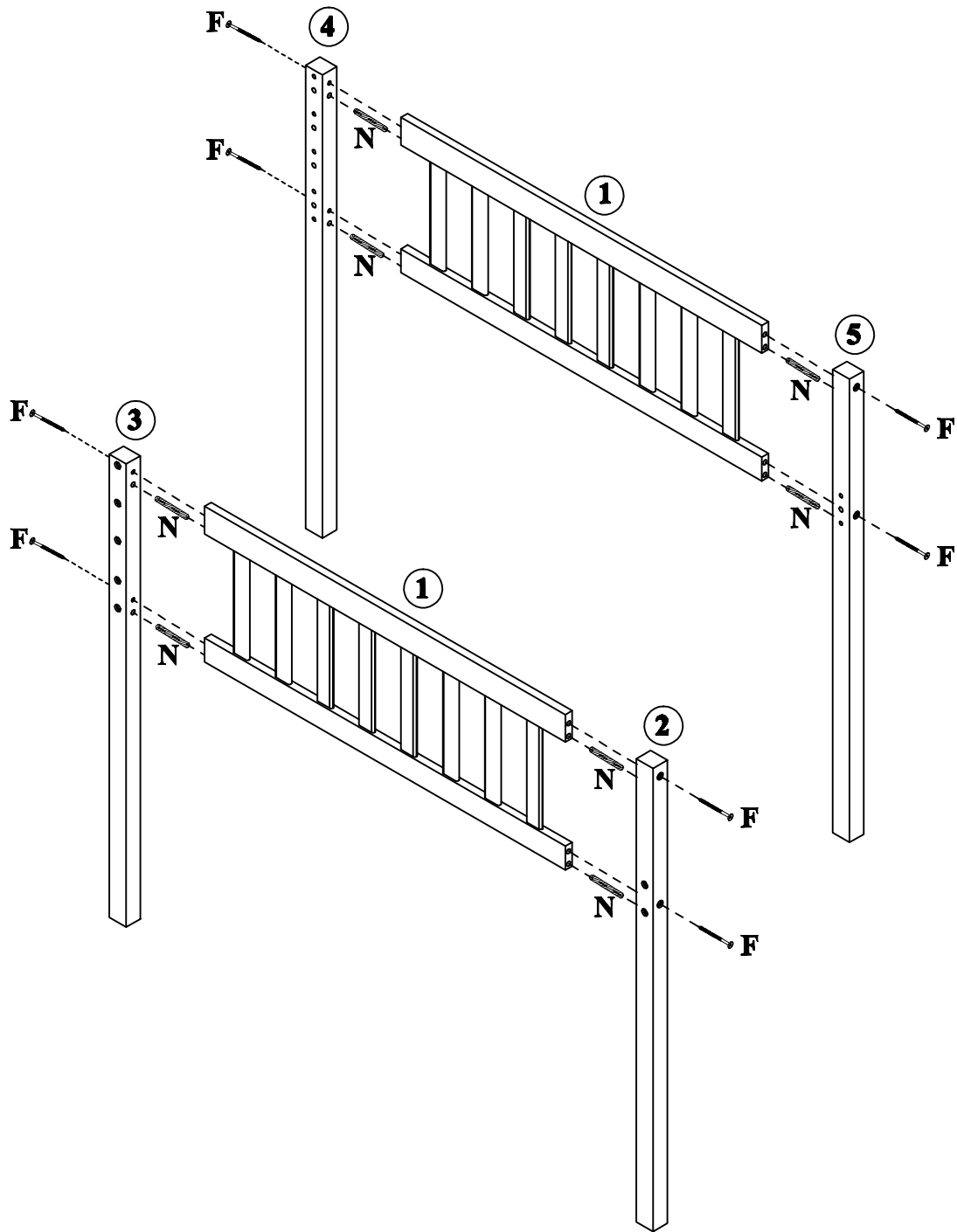
<p>A</p>  <p>$\varnothing 13 \times 1/4" \times 80 \text{mm}$</p>	<p>B</p>  <p>$\varnothing 13 \times 1/4" \times 50 \text{mm}$</p>	<p>C</p>  <p>$\varnothing 13 \times 1/4" \times 42 \text{mm}$</p>
<p>Hex-Head bolts(8pcs) Hex-Head bolts(10pcs) Hex-Head bolts(4pcs)</p>		
<p>D</p>  <p>$\varnothing 13 \times 1/4" \times 30 \text{mm}$</p>	<p>E</p>  <p>$\varnothing 13 \times 1/4" \times 50 \text{mm}$</p>	<p>F</p>  <p>$\varnothing 13 \times 1/4" \times 80 \text{mm}$</p>
<p>Hex-Head screw(36pcs) Hex-Head screw(26pcs) Hex-Head screw(14pcs)</p>		
<p>G</p>  <p>$\varnothing 10 \times 13 \text{mm}$</p>	<p>H</p>  <p>$\varnothing 8 \times \varnothing 4 \times 30 \text{mm}$</p>	<p>I</p>  <p>$\varnothing 75 \times 23 \times 24 \text{mm}$</p>
<p>Horizontal-Hole bolts(18pcs) Round head screw(48pcs) Stair hook(4pcs)</p>		
<p>J</p>  <p>$\varnothing 7 \times \varnothing 3.5 \times 18 \text{mm}$</p>	<p>K</p>  <p>$\varnothing 7 \times \varnothing 3 \times 12 \text{mm}$</p>	<p>L</p>  <p>4mm</p>
<p>Flat head screw(12pcs) Round head screw(32pcs) Allen key(1pcs)</p>		
<p>M</p>  <p>$\varnothing 8 \times 30 \text{mm}$</p>	<p>N</p>  <p>$\varnothing 10 \times 40 \text{mm}$</p>	
<p>Wood dowel(66pcs) Wood dowel(46pcs)</p>		

ASSEMBLY TOOLS REQUIRED (NOT INCLUDED)








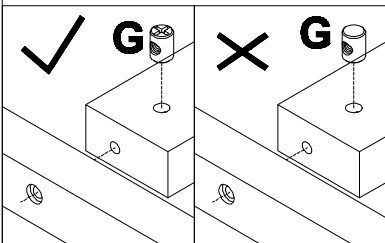
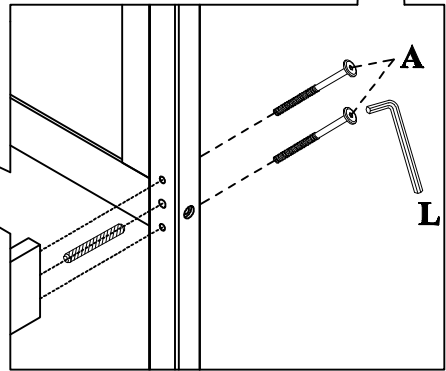
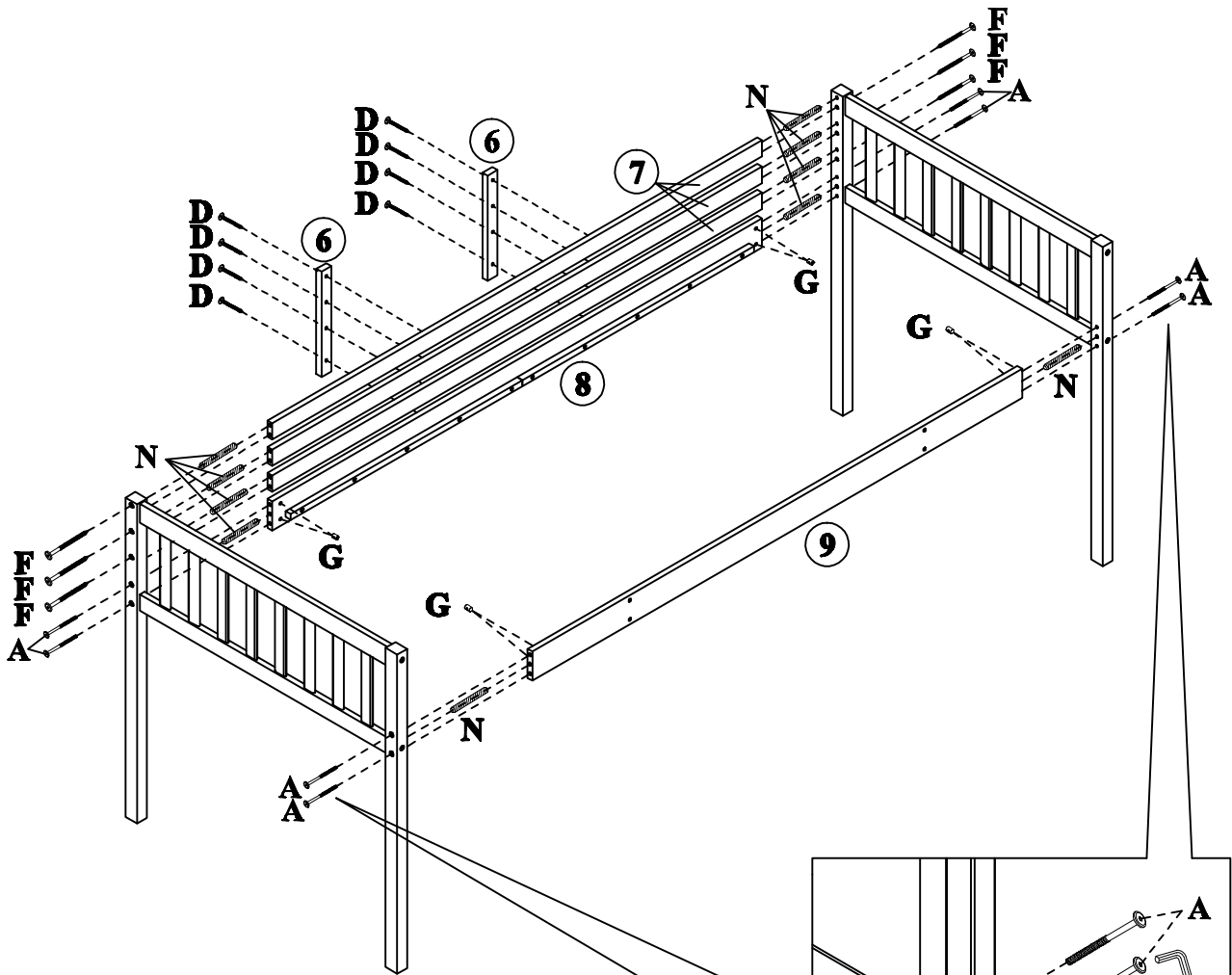
STEP: 1

F	N
	
8PCS	8PCS

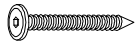
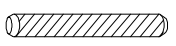


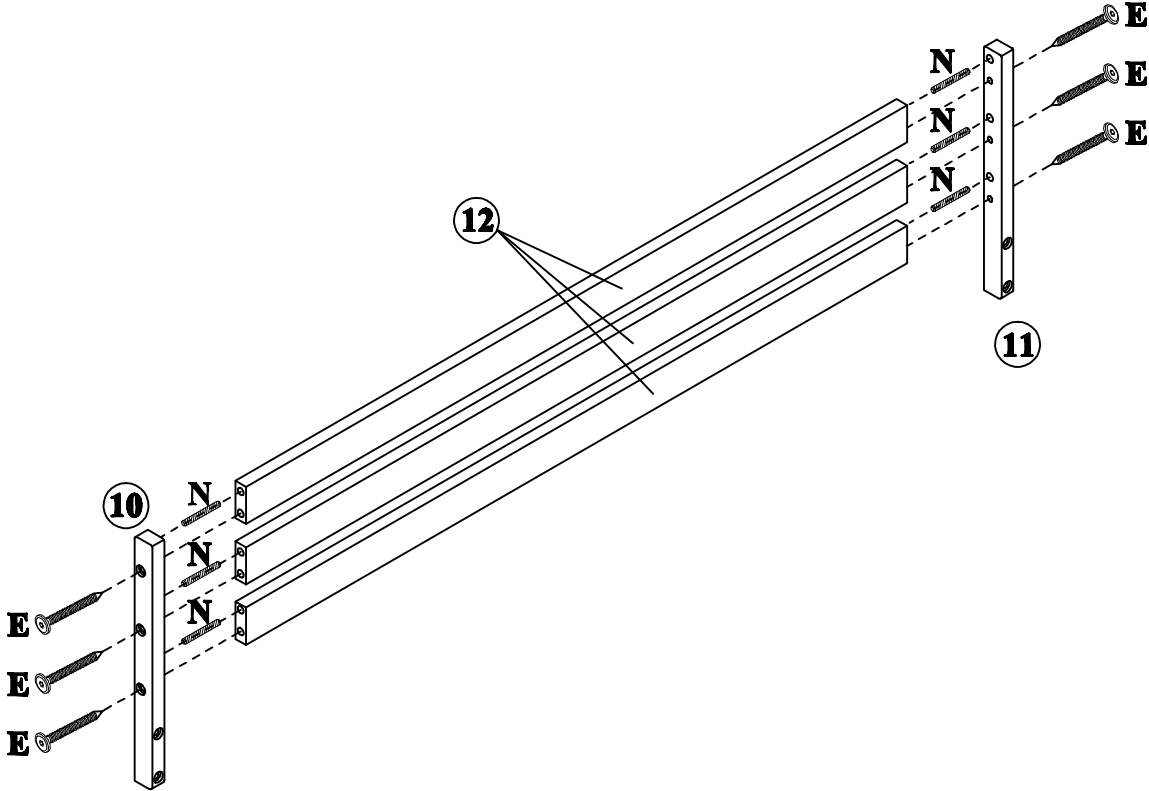
STEP: 2

A	D	F	G	N
				
8PCS	8PCS	6PCS	8PCS	10PCS





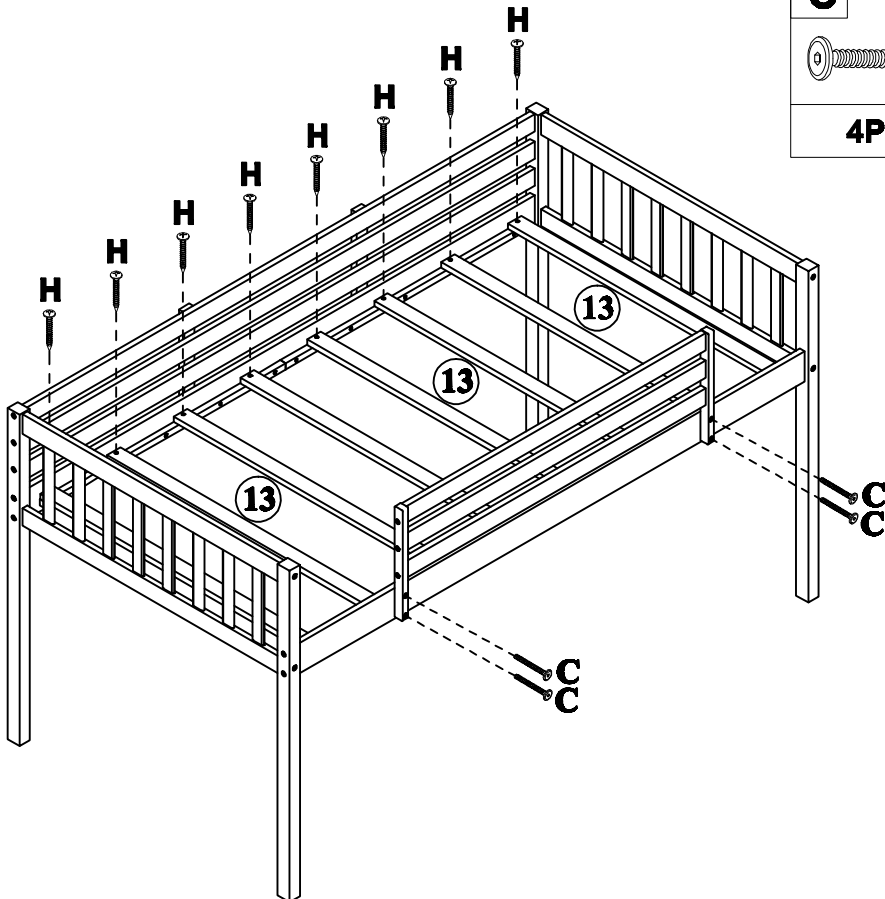
STEP: 3

E	N
	
6PCS	6 PCS





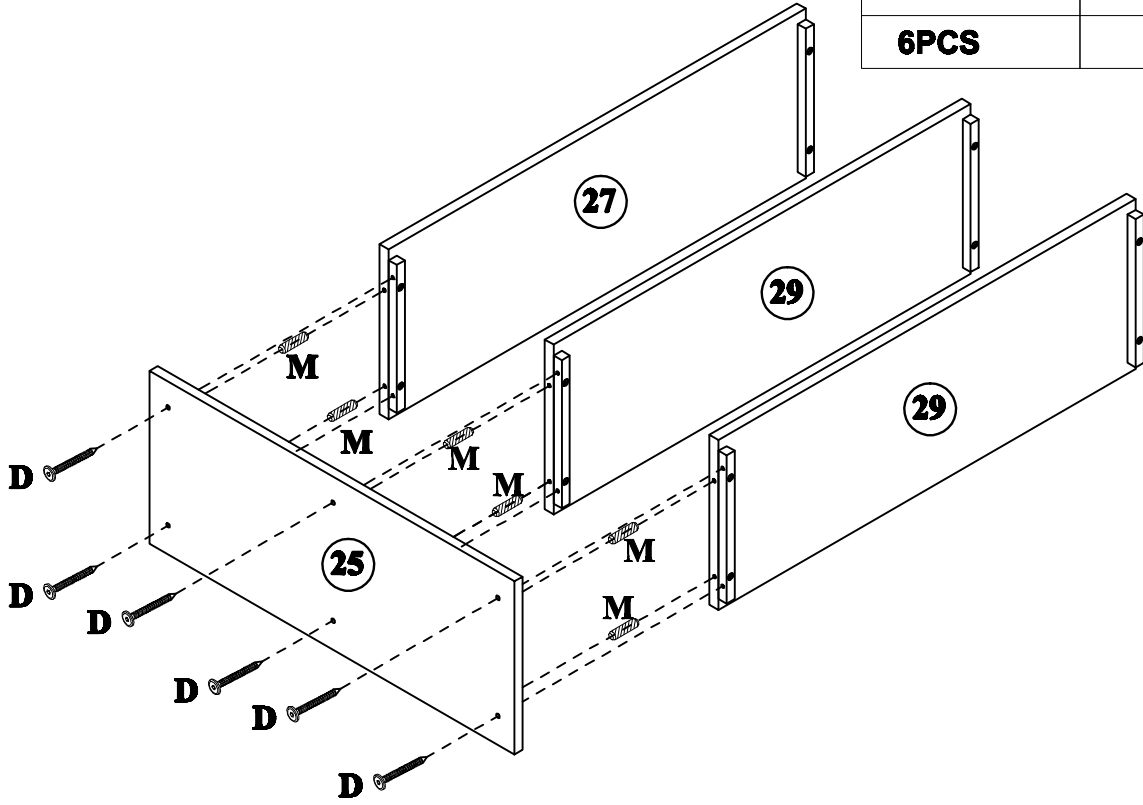
STEP: 4

C	H
	
4PCS	16PCS


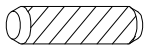


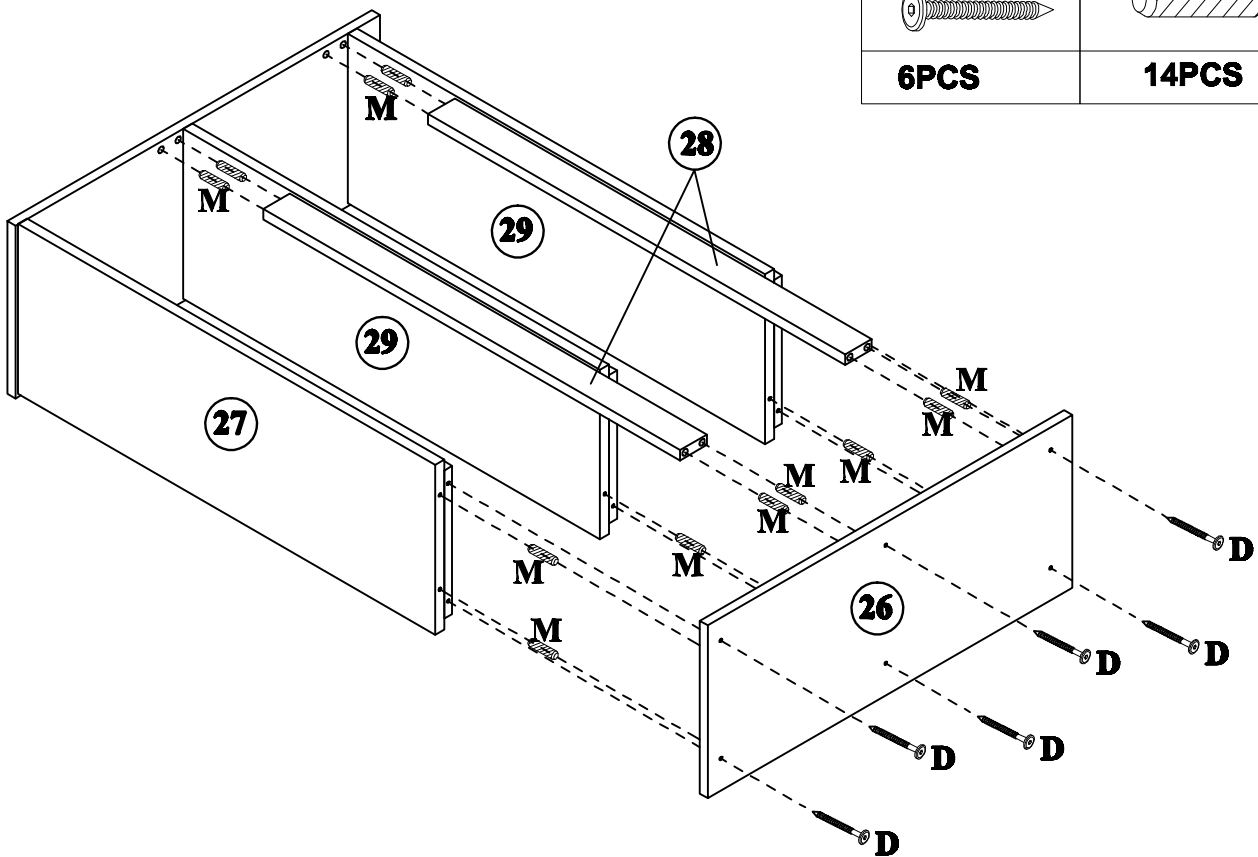
STEP: 5

D	M
	
6PCS	6PCS



STEP: 6

D	M
	
6PCS	14PCS

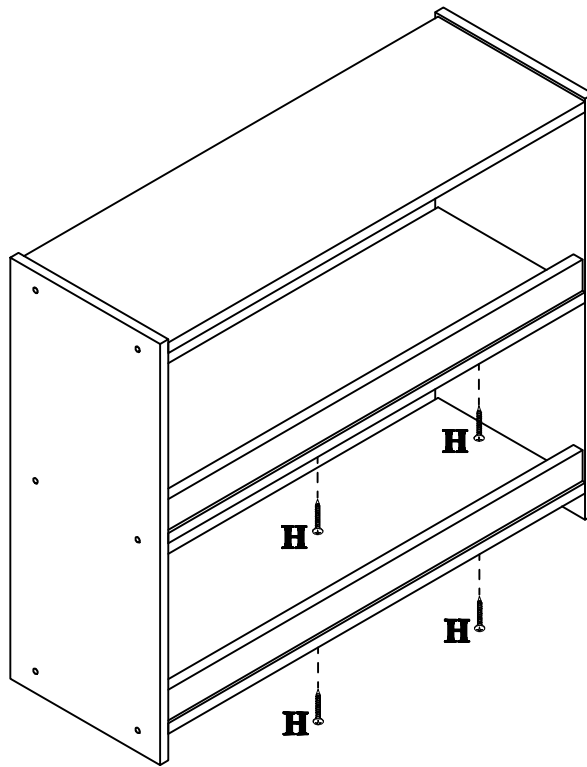


STEP: 7

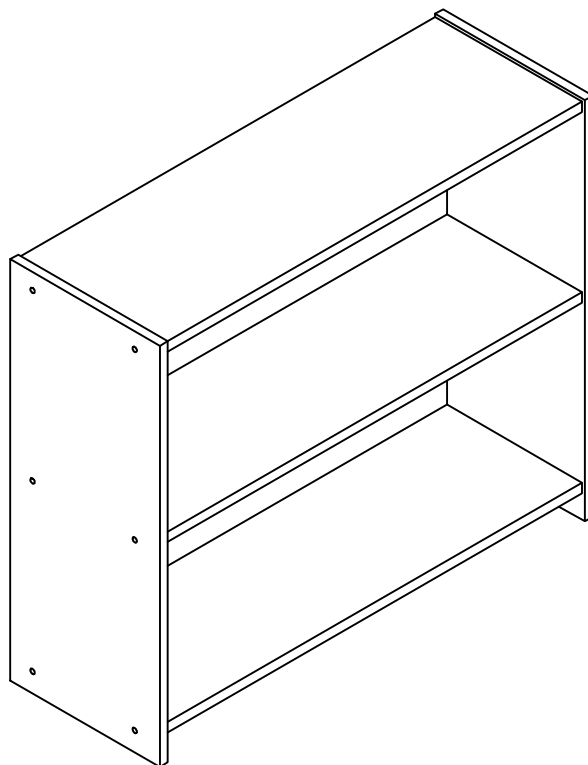
H







4PCS

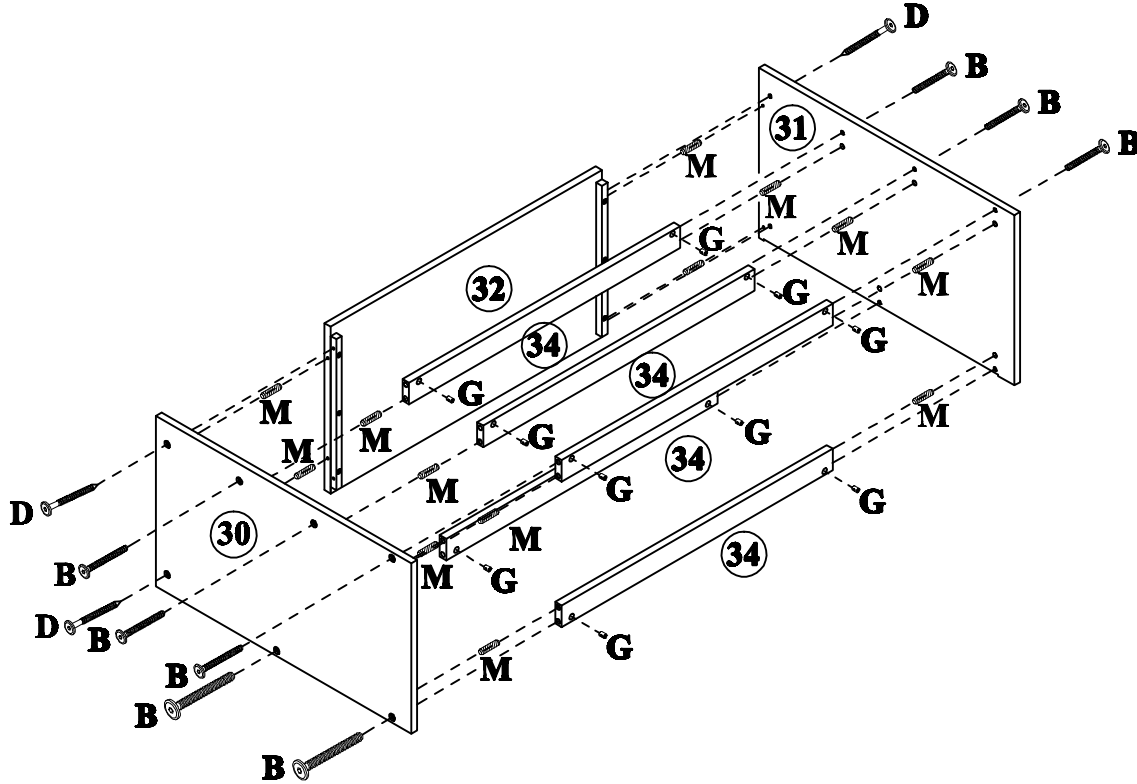


STEP: 8




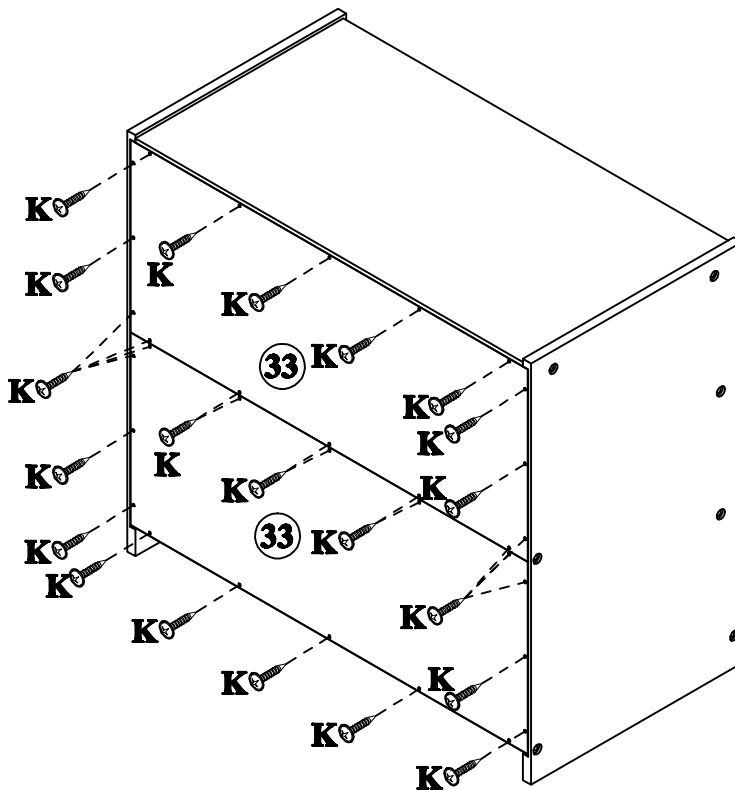
STEP: 9

B	D	G	M
			
10PCS	4PCS	10PCS	14PCS

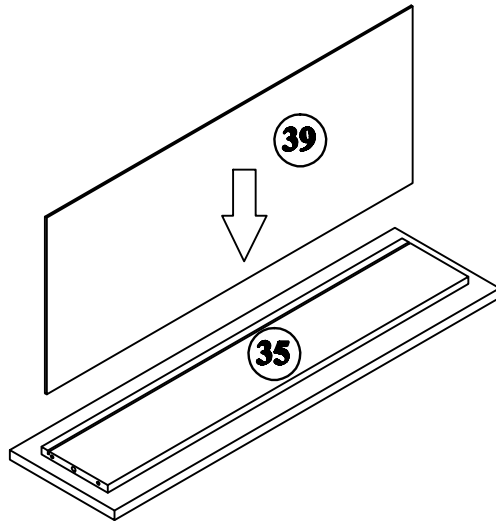


STEP: 10

K

32PCS





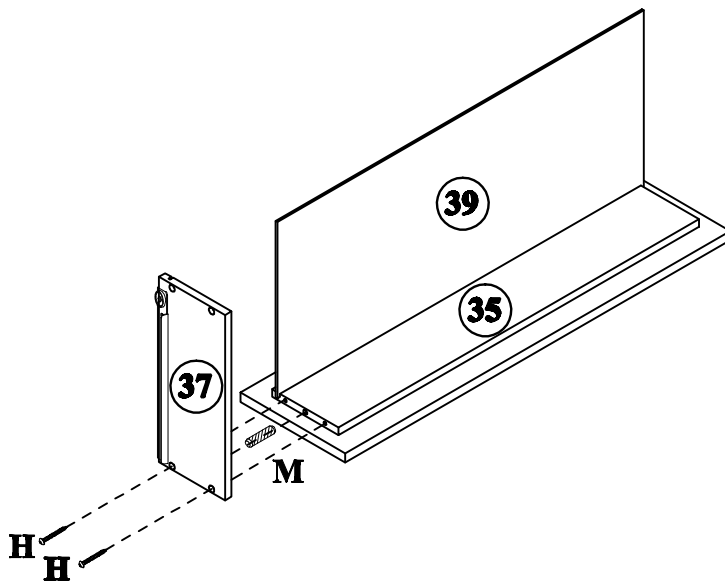
STEP: 11



X 3



STEP: 12

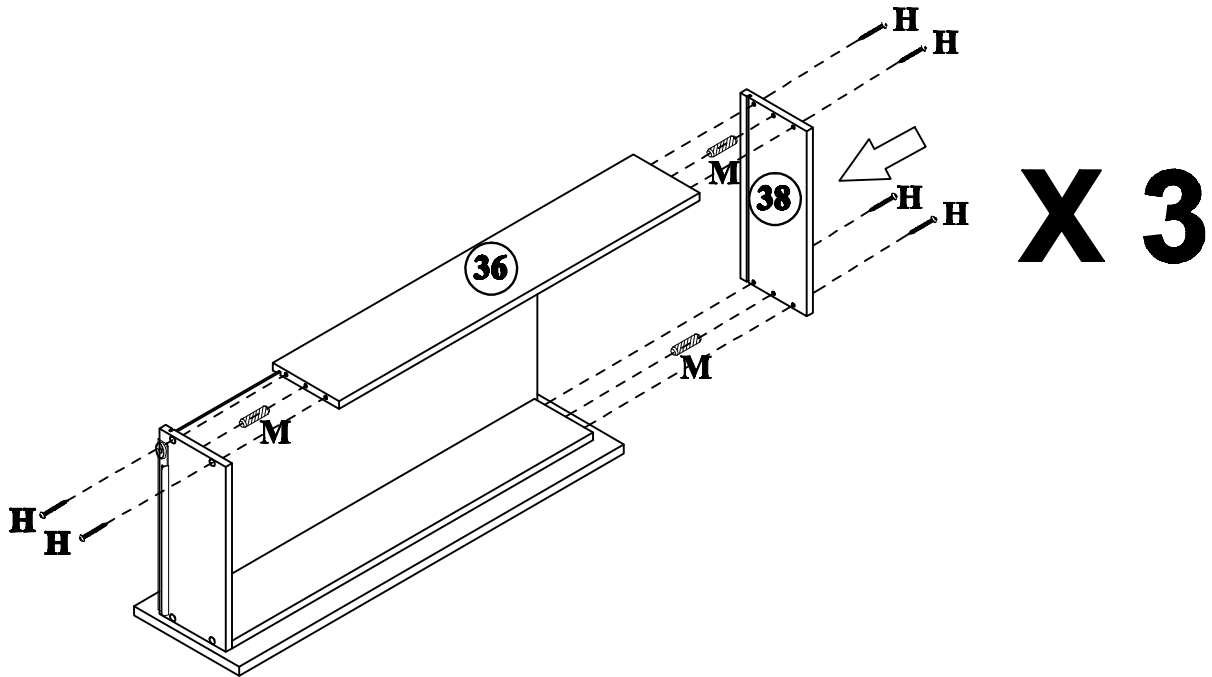
H	M
	
6PCS	3PCS



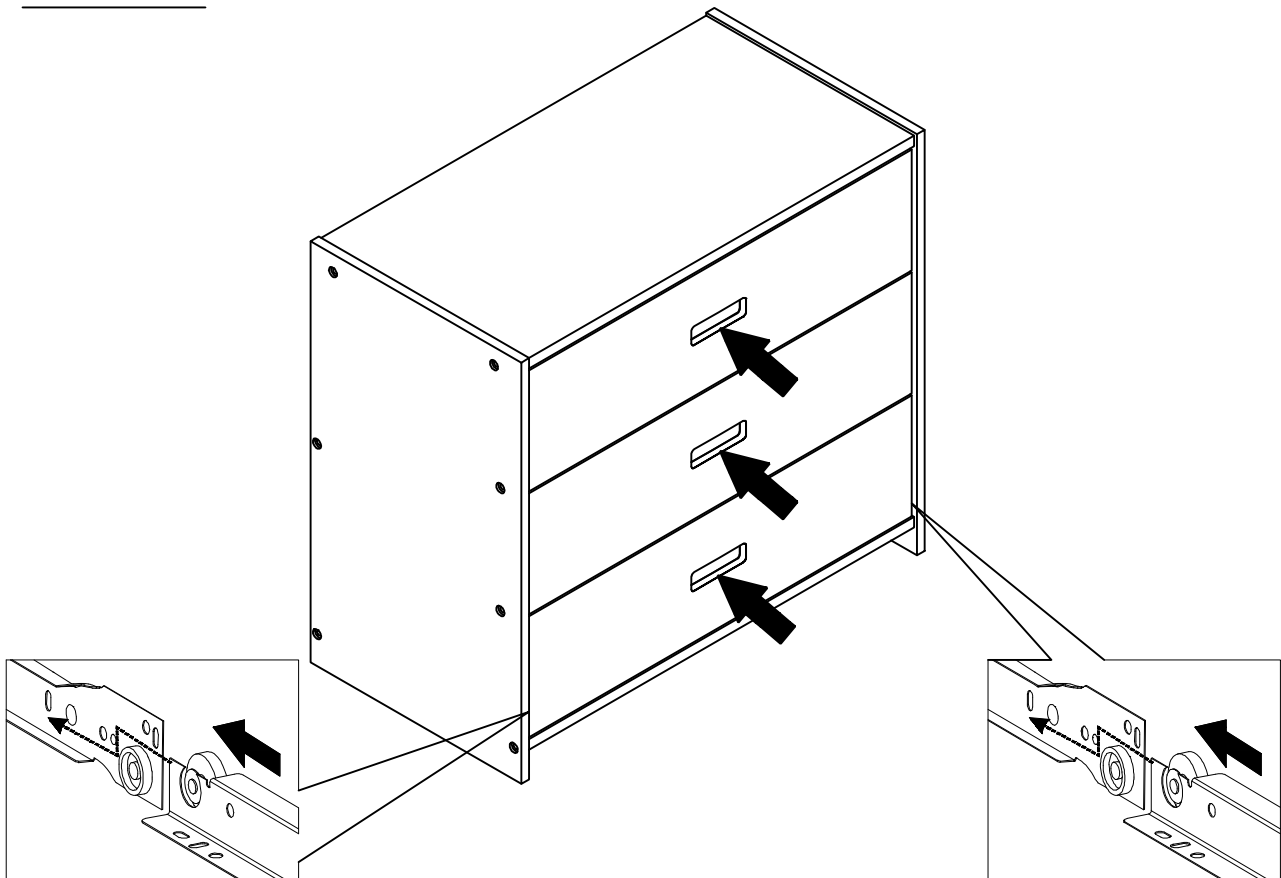
X 3

STEP: 13



H	M
	
18PCS	9PCS

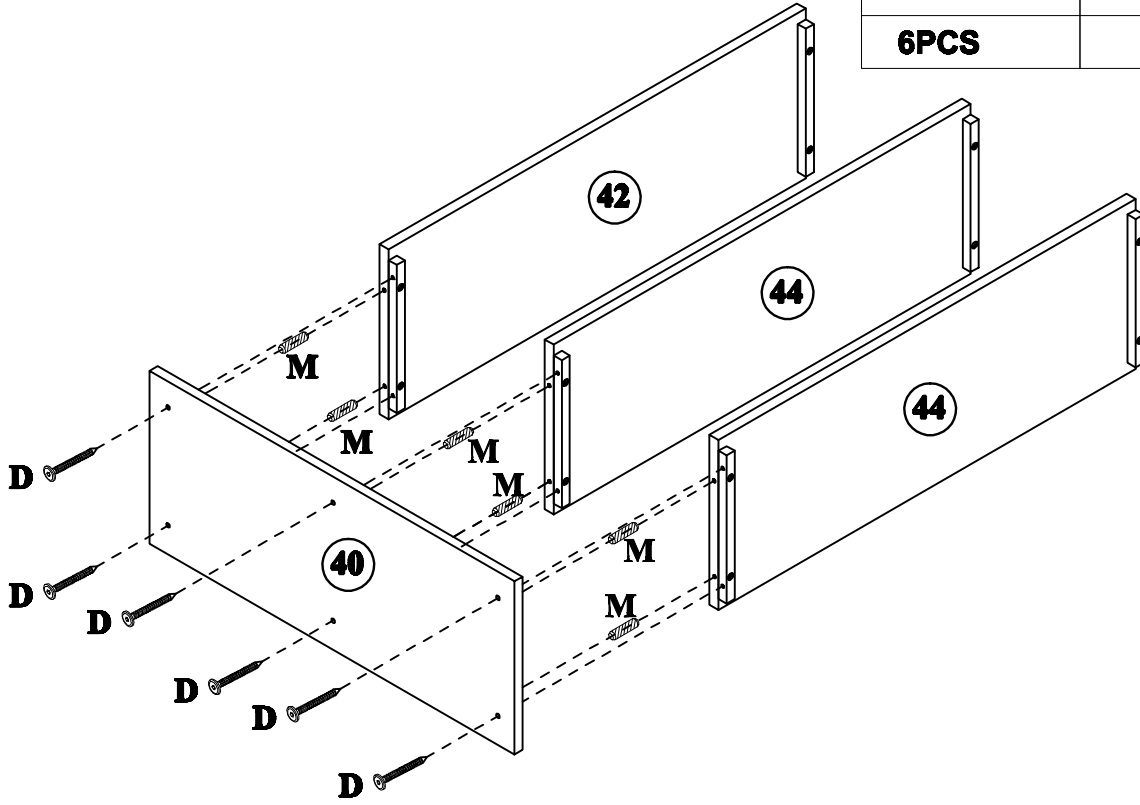


STEP: 14


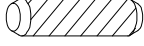


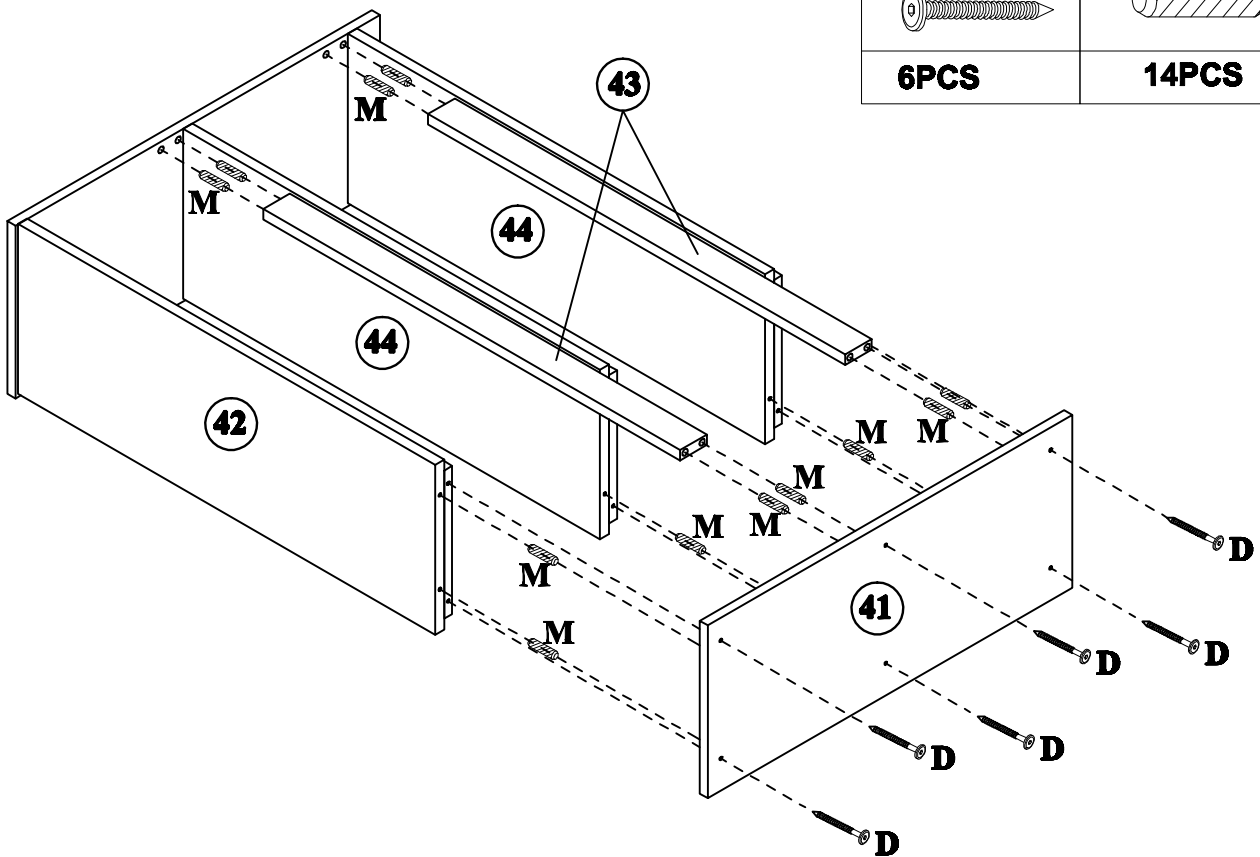
STEP: 15

D	M
	
6PCS	6PCS



STEP: 16

D	M
	
6PCS	14PCS

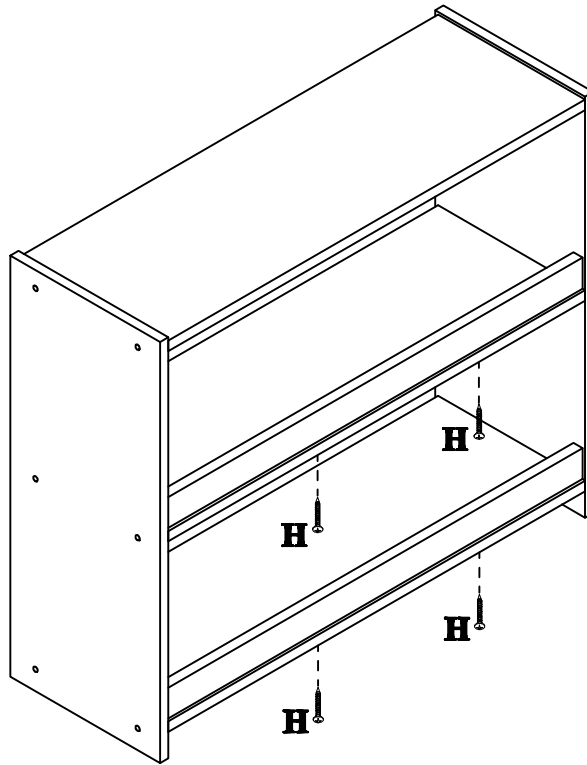


STEP:17

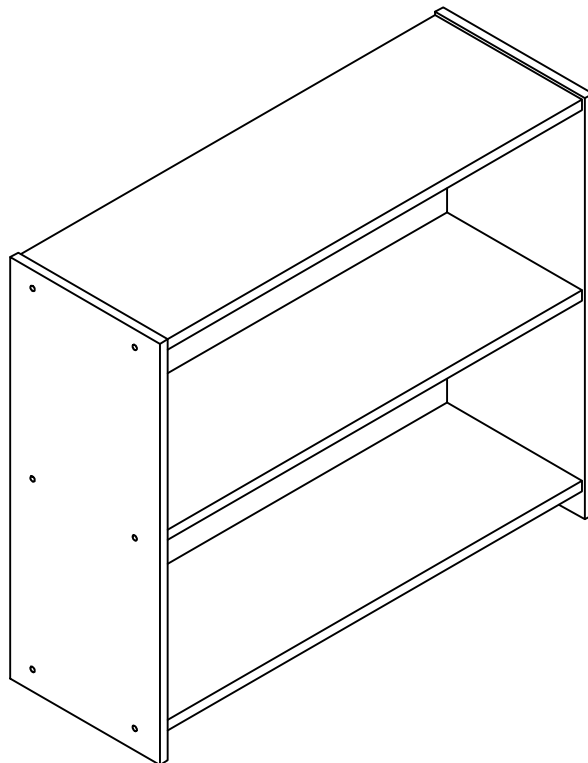
H



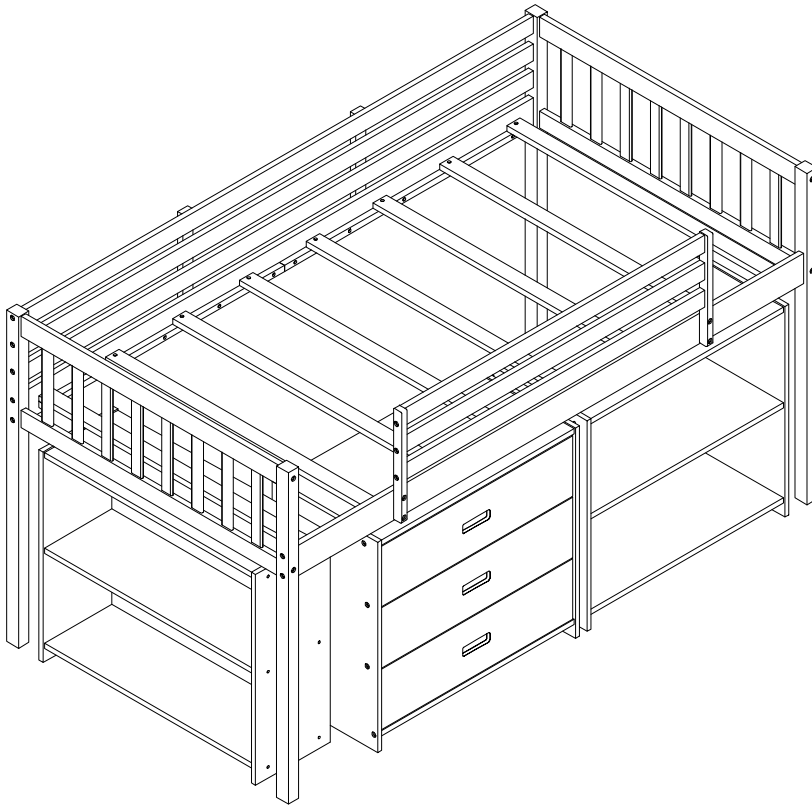
4PCS




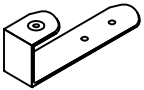


STEP: 18

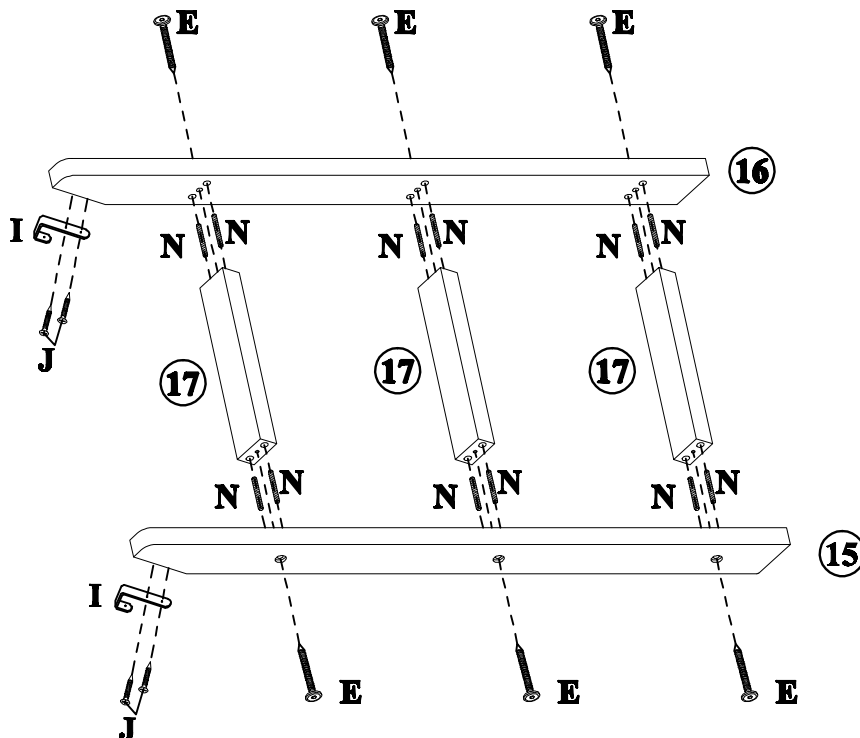


STEP:19



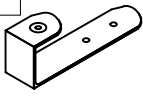
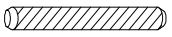


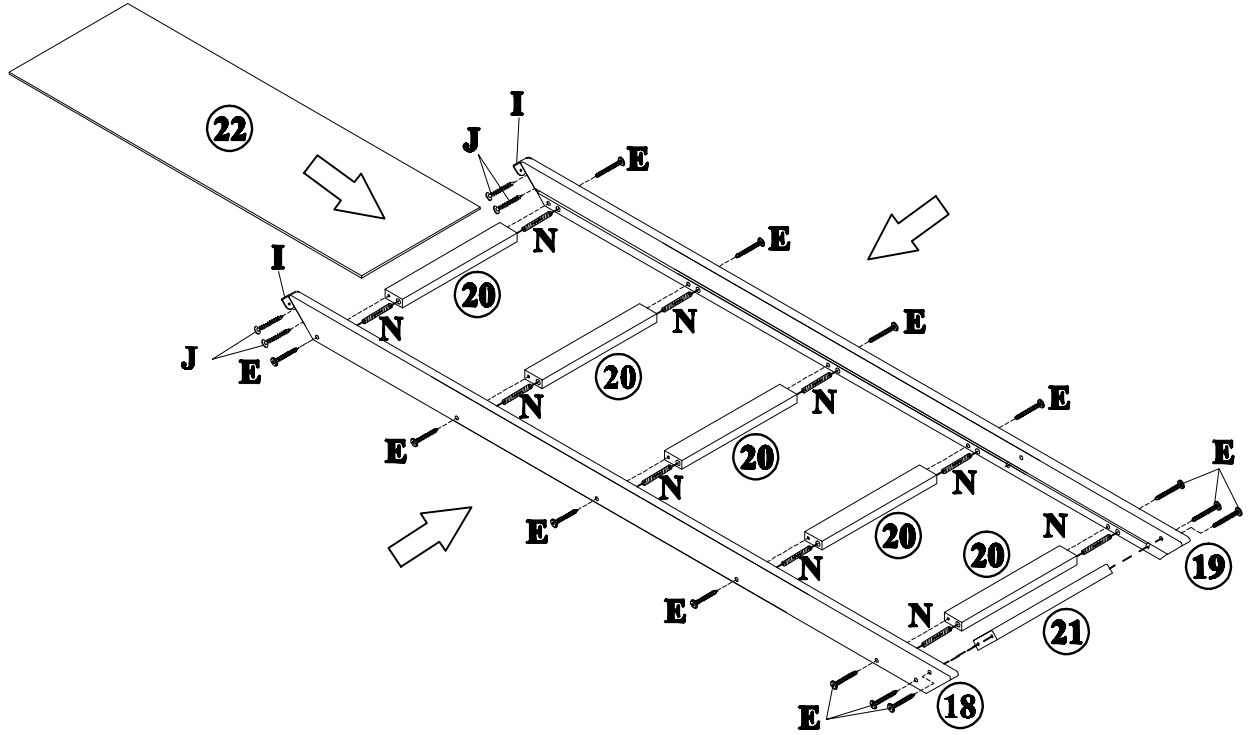
STEP: 20

J	I	E	N
			
4PCS	2PCS	6PCS	12PCS

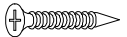


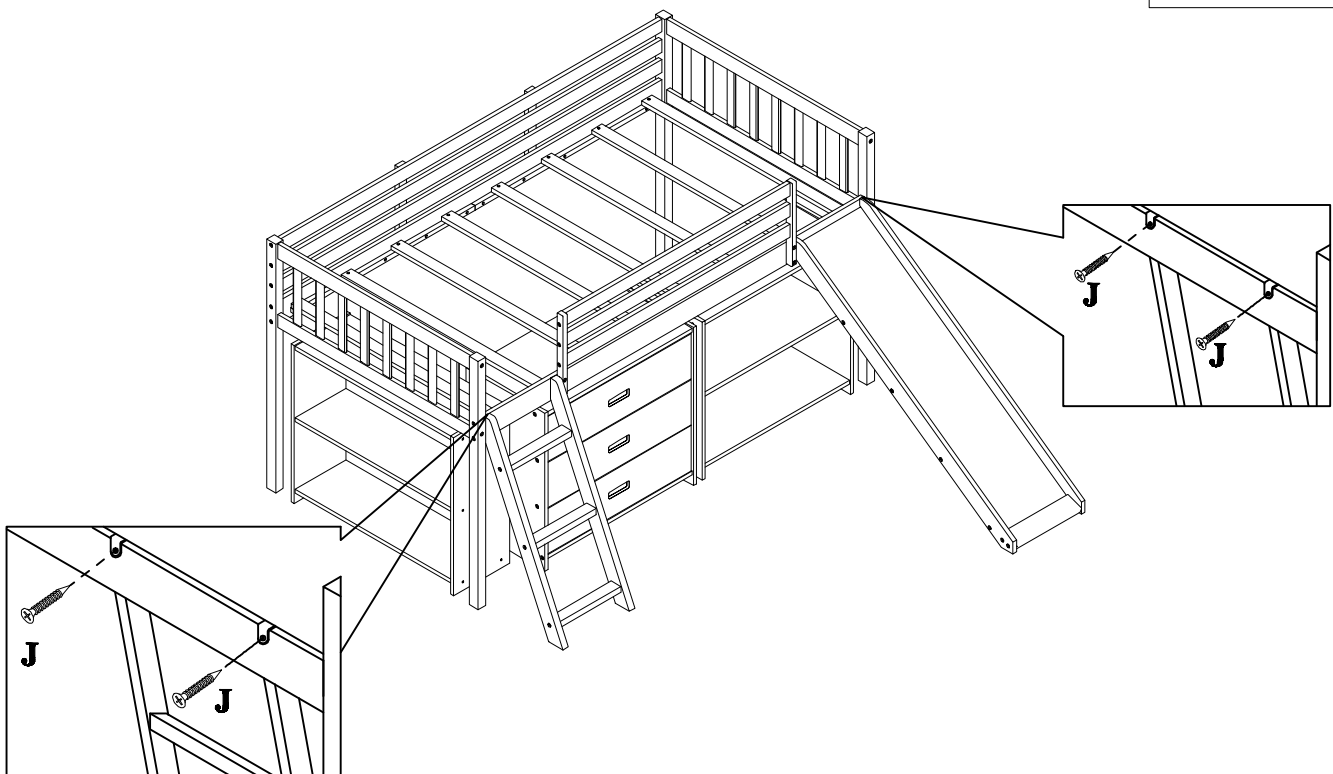
STEP: 21

E	J	I	N
			
14PCS	4PCS	2PCS	10PCS



STEP: 22

J

4PCS



STEP:23

